



US00D348468S

# United States Patent [19]

[11] Patent Number: **Des. 348,468**

Wathen

[45] Date of Patent: **\*\* Jul. 5, 1994**

[54] **SPEAKER COVER PANEL**

[75] Inventor: **David Wathen**, Woodland Hills, Calif.

[73] Assignee: **Harris Corporation**, Melbourne, Fla.

[\*\*] Term: **14 Years**

[21] Appl. No.: **816,934**

[22] Filed: **Jan. 3, 1992**

[52] U.S. Cl. .... **D14/219**

[58] Field of Search ..... 181/144, 148, 150, 171, 181/198, 199; 381/188, 203, 86-88, 90; 379/167-173; D14/159, 204, 207-216, 219-224

[56] **References Cited**

**U.S. PATENT DOCUMENTS**

D. 210,026	1/1968	Kahn	.....	D14/159
D. 211,092	5/1968	Kahn	.....	D14/159
D. 242,150	11/1976	Pearson	.....	D14/216
D. 283,130	3/1986	Boenning	.....	D14/159
D. 295,746	5/1988	Ridinger	.....	D14/219
D. 312,222	11/1990	Sawyer	.....	D14/159

D. 313,593	1/1991	Morooka	.....	D14/159
D. 324,864	3/1992	Hector	.....	D14/159
D. 329,239	9/1992	Hahn	.....	D14/219
4,860,369	8/1989	Koshimura et al.	.....	381/188

**OTHER PUBLICATIONS**

Sound Communications, Oct. 1984 p. 41 Intercom System.

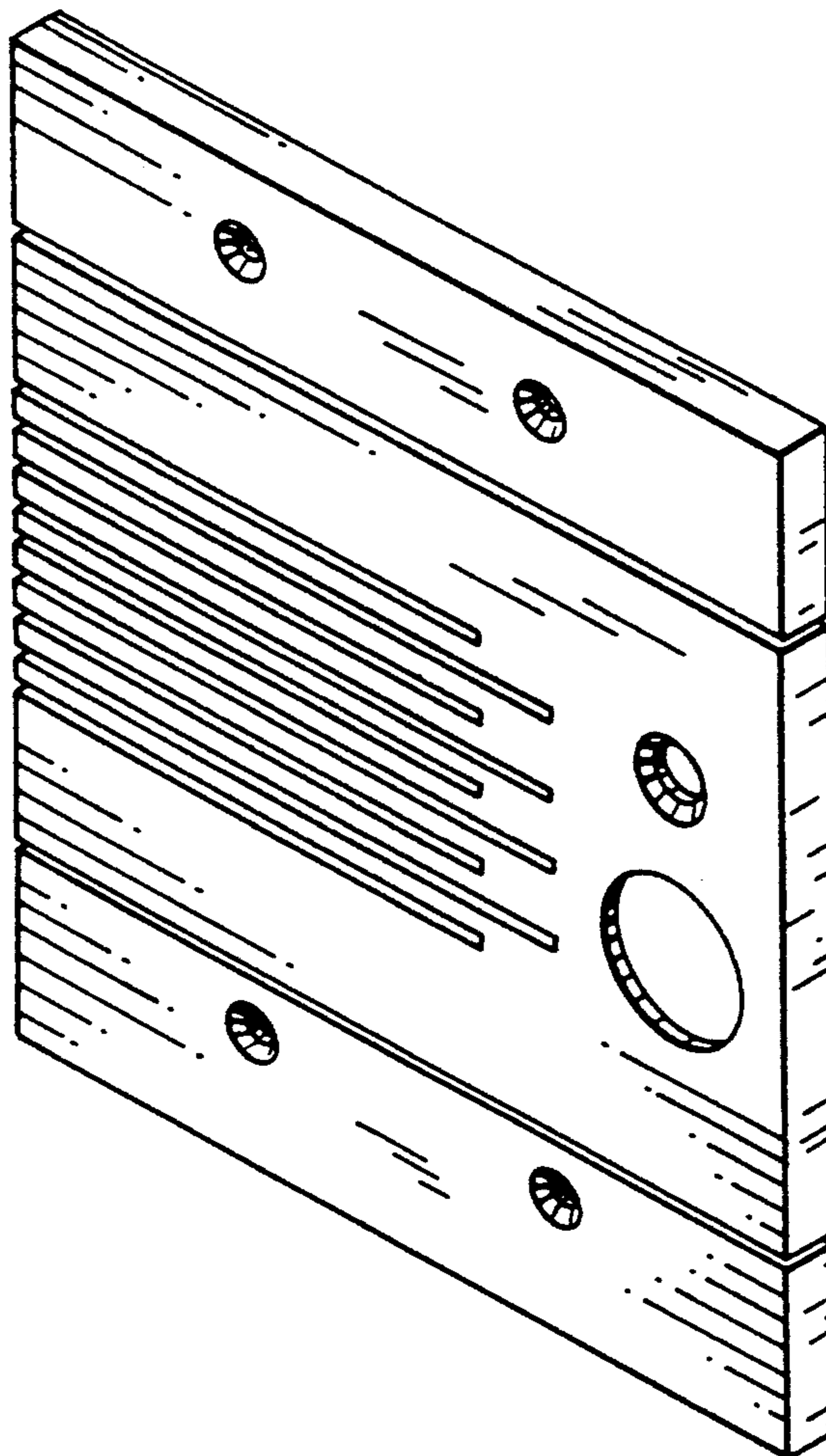
*Primary Examiner*—Bernard Ansher  
*Assistant Examiner*—Sandra Morris  
*Attorney, Agent, or Firm*—Evenson, McKeown, Edwards & Lenahan

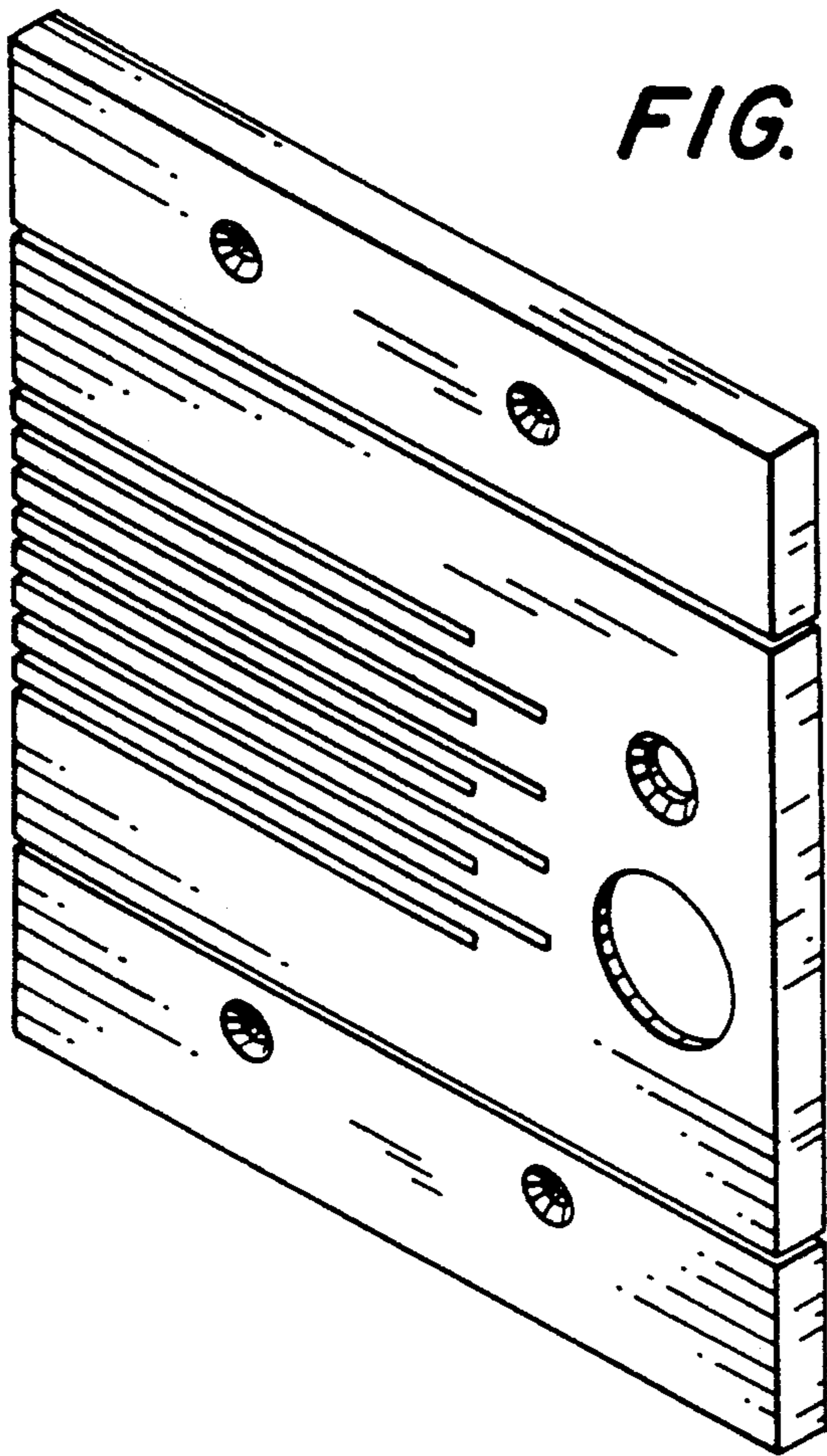
[57] **CLAIM**

The ornamental design for a speaker cover panel, as shown and described.

**DESCRIPTION**

FIG. 1 is a front perspective view taken from above and from the right of a speaker cover panel embodying my novel design; and, FIG. 2 is a rear perspective view taken from above and from the left thereof.





*FIG. 1*

*FIG. 2*

