



US00D348467S

United States Patent [19]
Boothroyd et al.

[11] **Patent Number: Des. 348,467**
[45] **Date of Patent: ** Jul. 5, 1994**

[54] **LOUDSPEAKER**

[75] **Inventors: Allen Boothroyd, Little Shelford;
Anthony P. Ward, Guildford, both of
United Kingdom**

[73] **Assignee: Cambridge Product Design Limited,
Cambridge, United Kingdom**

[**] **Term: 14 Years**

[21] **Appl. No.: 2,220**

[22] **Filed: Dec. 7, 1992**

[30] **Foreign Application Priority Data**

Jun. 9, 1992 [GB] United Kingdom 2023377
[52] **U.S. Cl. D14/213**
[58] **Field of Search 181/144, 148, 150, 157,
181/199; D14/204, 207-216, 219-222**

[56] **References Cited**

U.S. PATENT DOCUMENTS

D. 217,154	4/1970	Boldt et al.	D14/212
D. 329,648	9/1992	Goldfarb et al.	D14/213
D. 334,193	3/1993	Jewitt et al.	D14/213
D. 334,750	4/1993	Negishi et al.	D14/213
5,115,882	5/1992	Woody	181/144

Primary Examiner—Bernard Ansher
Assistant Examiner—Sandra Morris
Attorney, Agent, or Firm—Fitzpatrick, Cella, Harper & Scinto

[57] **CLAIM**

The ornamental design for a loudspeaker, as shown and described.

DESCRIPTION

FIG. 1 is a front perspective view of a loudspeaker showing our new design;
FIG. 2 is a front elevational view thereof;
FIG. 3 is a rear elevational view thereof;
FIG. 4 is a side elevational view thereof; and,
FIG. 5 is a top plan view.

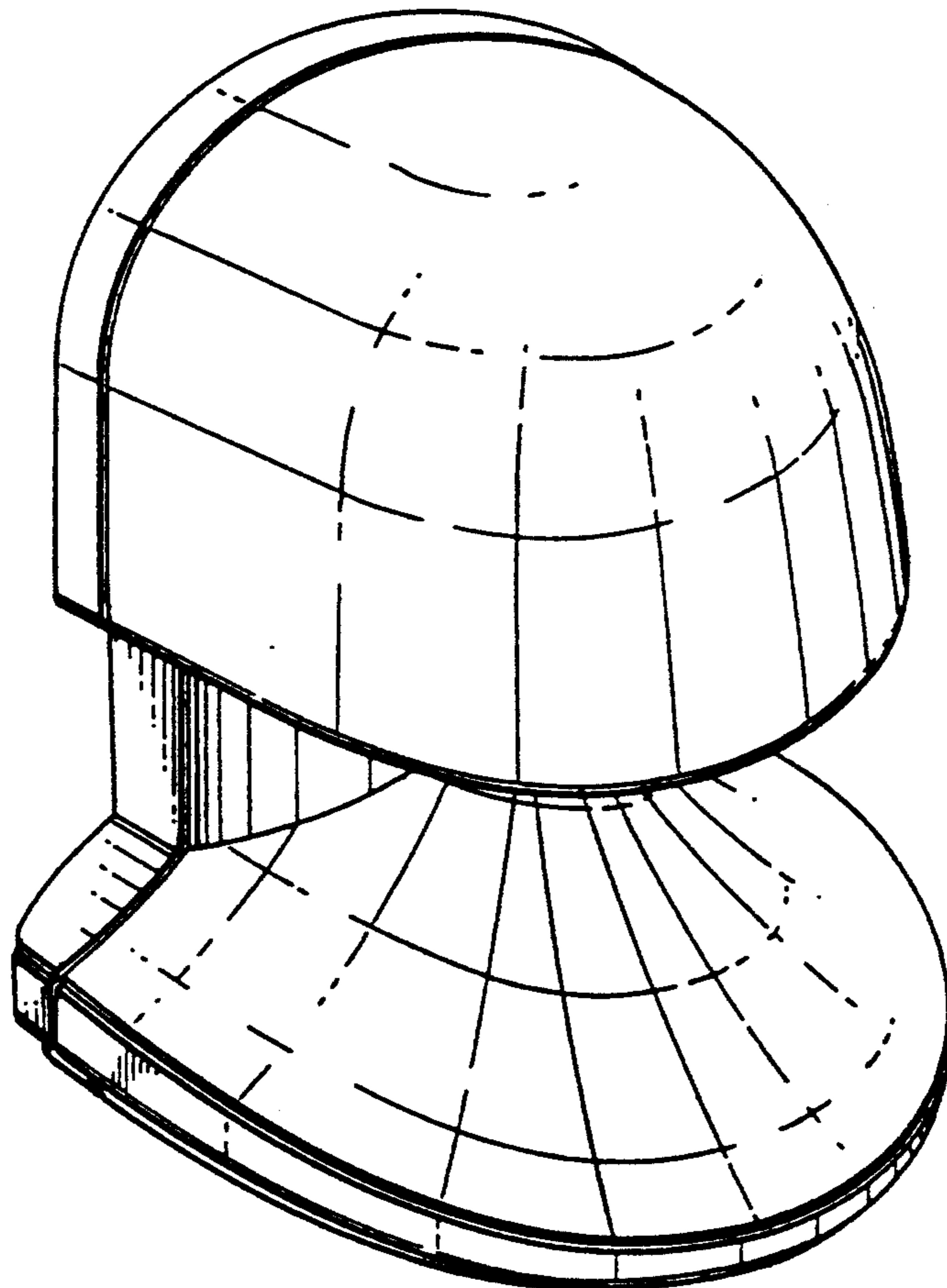


FIG. 1

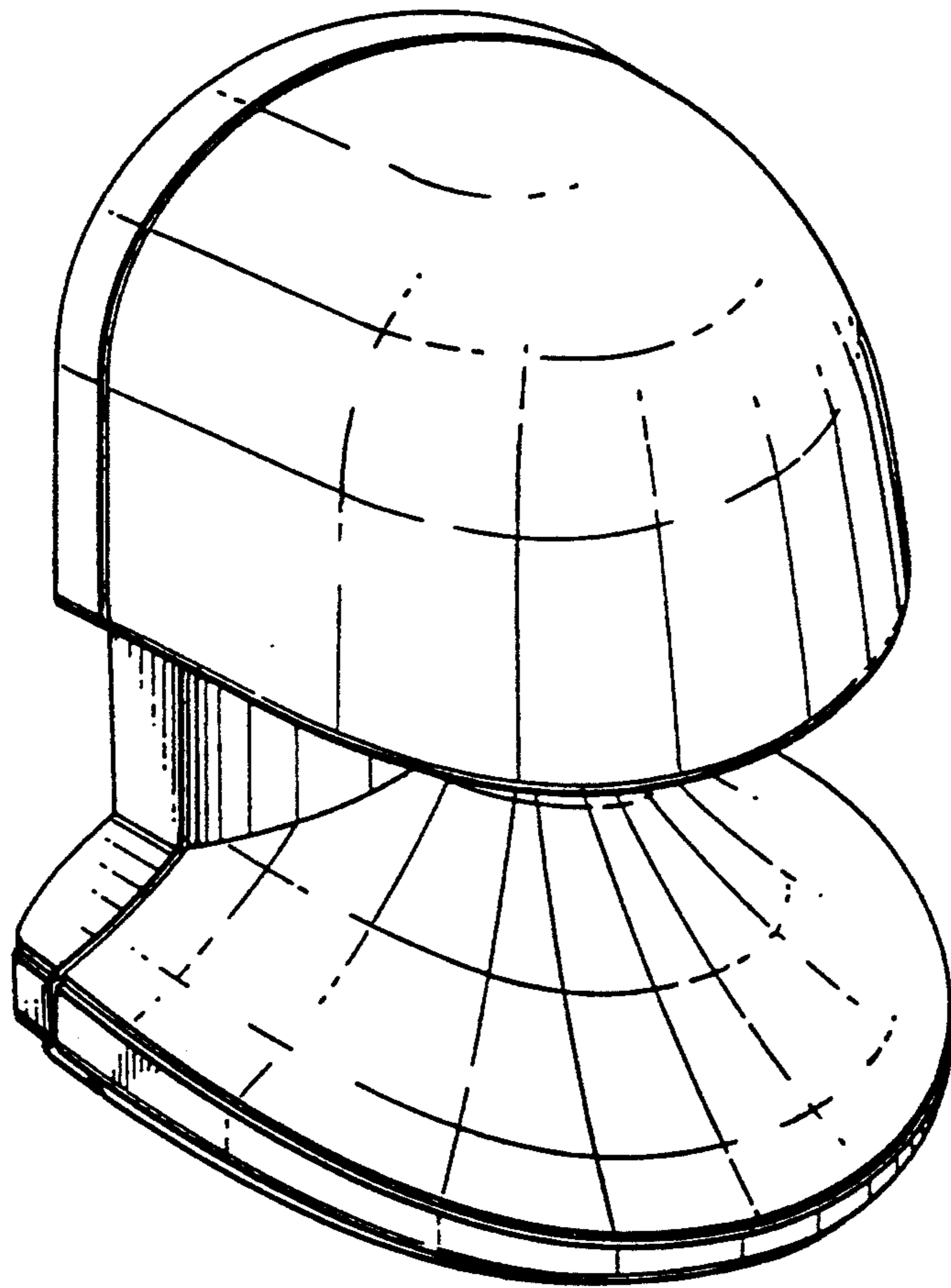


FIG. 2

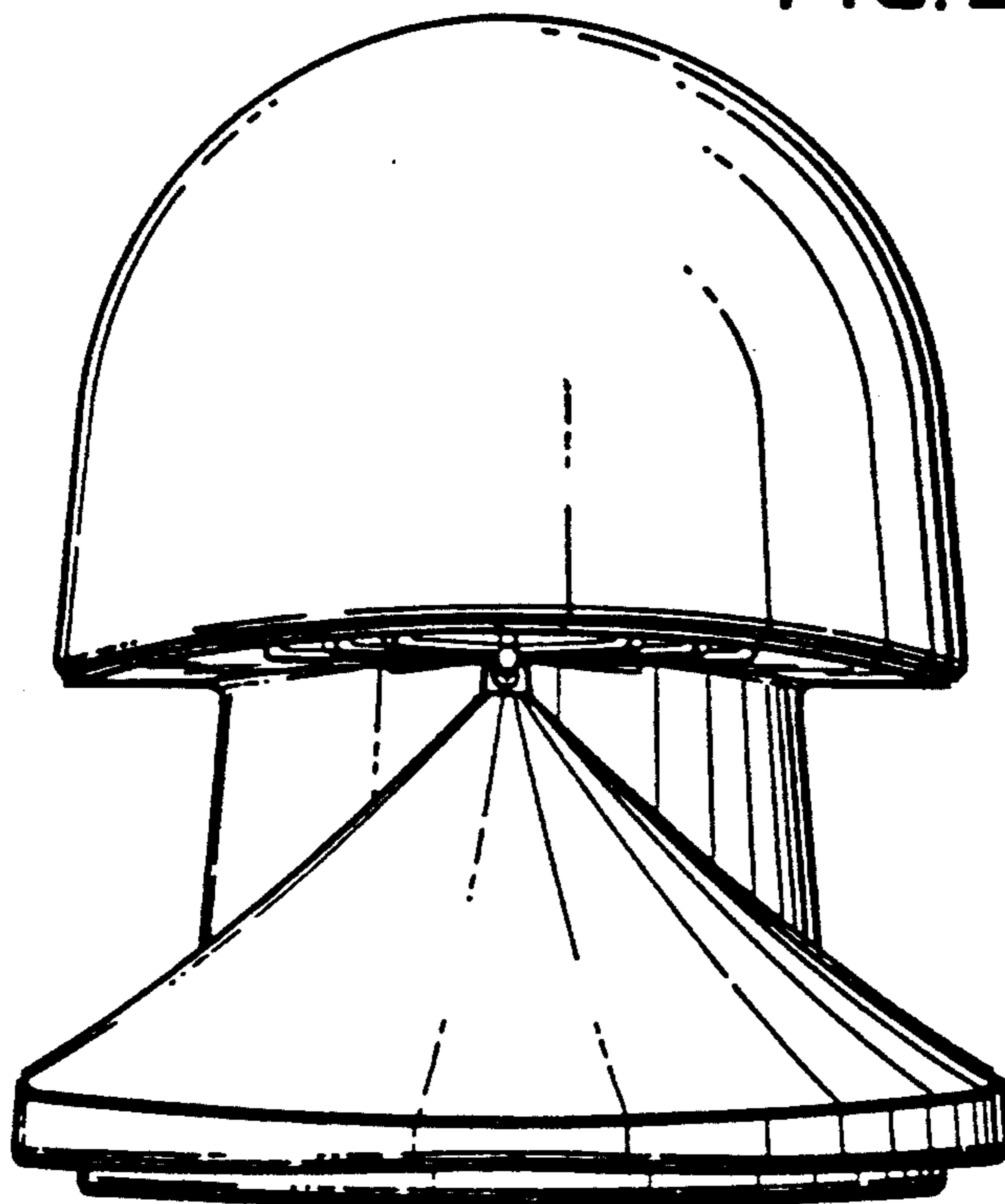


FIG. 3

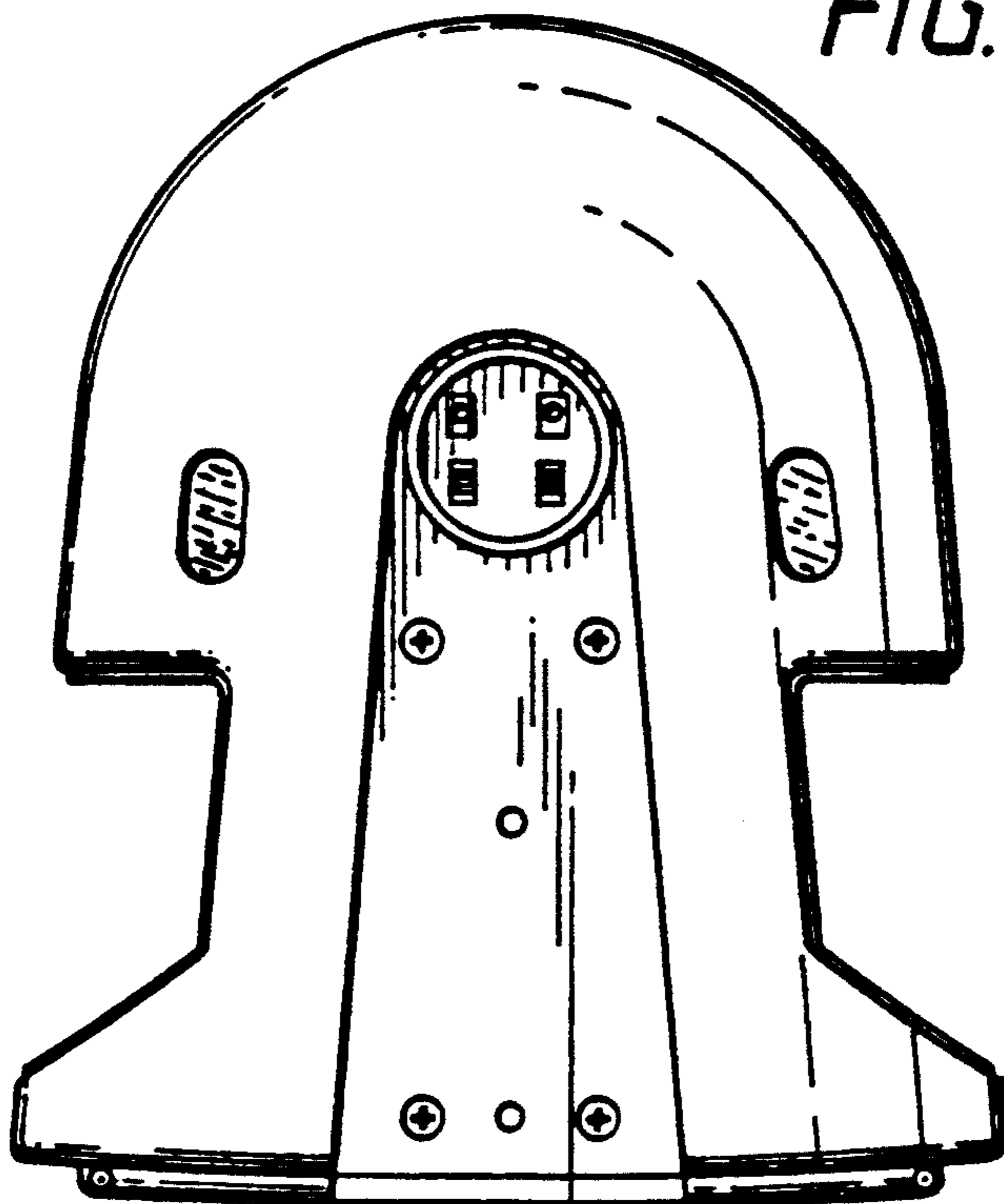


FIG. 4

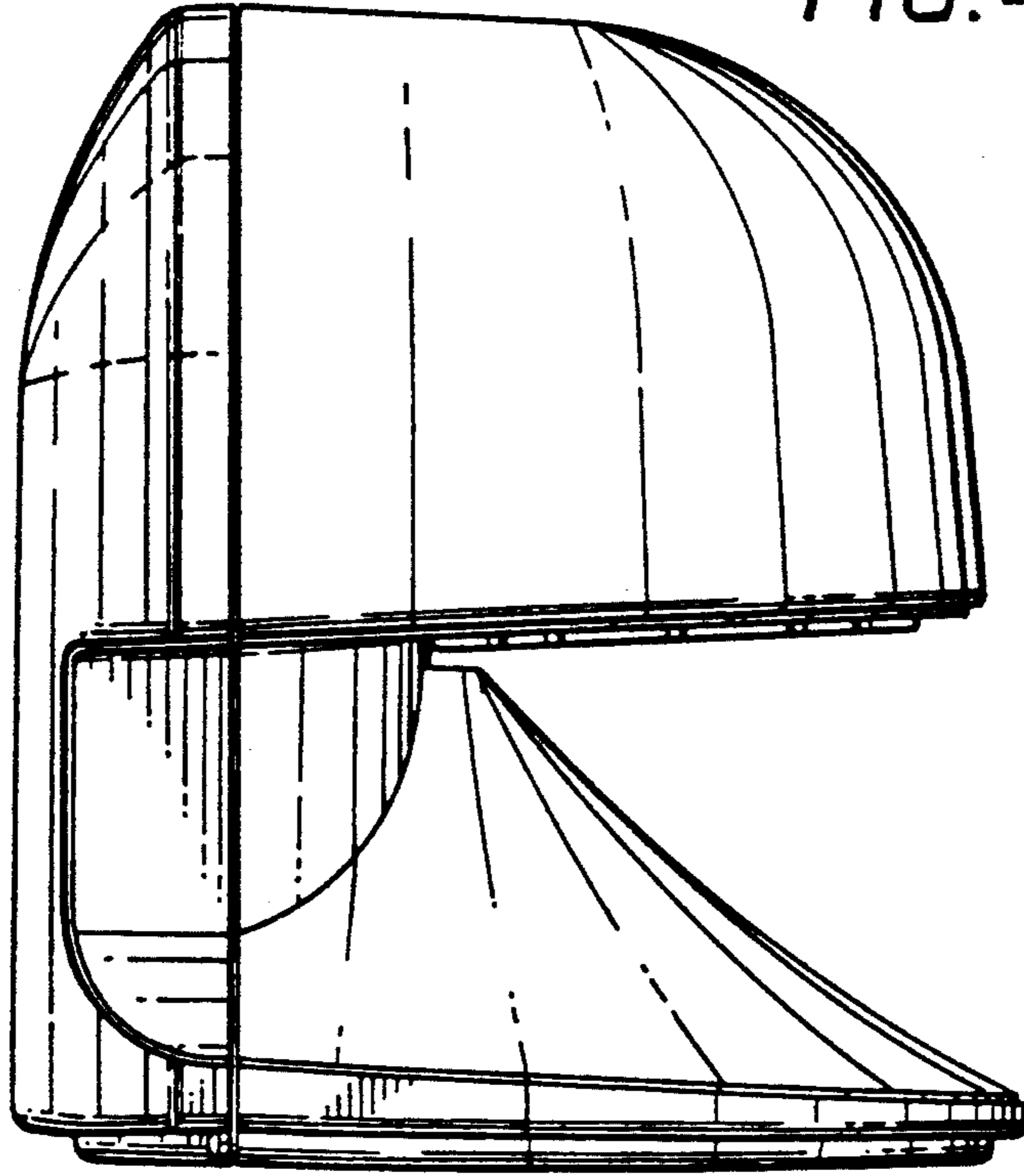
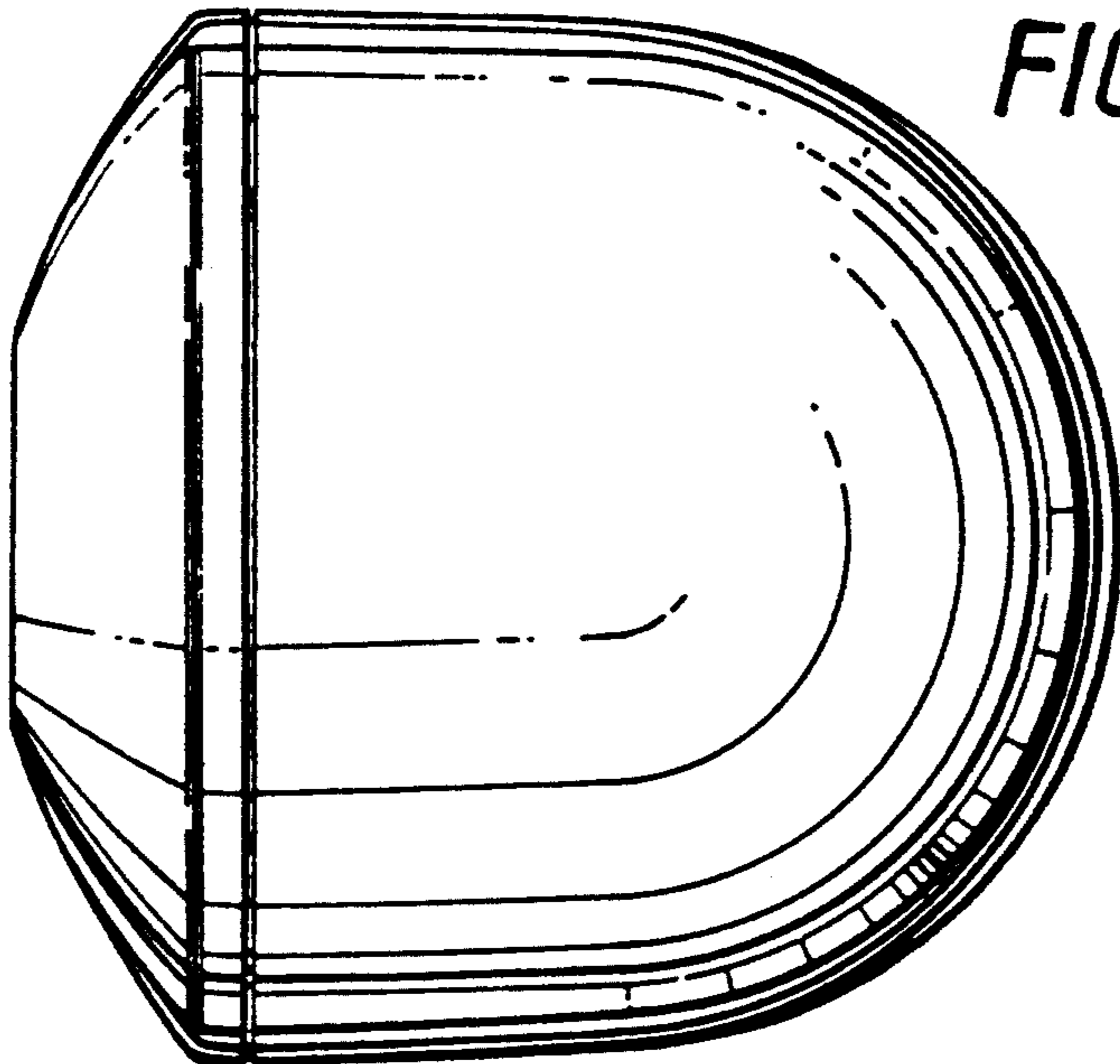


FIG. 5



UNITED STATES PATENT AND TRADEMARK OFFICE
CERTIFICATE OF CORRECTION

PATENT NO. : Des, 348,467

DATED : July 5, 1994

INVENTOR(S) : ALLEN BOOTHROYD, ET AL.

It is certified that error appears in the above-identified patent and that said Letters Patent is hereby corrected as shown below:

Title Page, item [73] Assignee

"Cambridge Product Design Limited, Cambridge, United Kingdom" should read --Canon Audio Limited, Surrey, United Kingdom--.

Signed and Sealed this
Second Day of April, 1996



BRUCE LEHMAN

Commissioner of Patents and Trademarks

Attest:

Attesting Officer