



US00D348464S

# United States Patent [19]

[11] Patent Number: **Des. 348,464**

**Peersmann**

[45] Date of Patent: **\*\* Jul. 5, 1994**

[54] **RADIO**

[56] **References Cited**

[75] Inventor: **Richard F. M. Peersmann,**  
Scheveningen, Netherlands

[73] Assignee: **Pollyflame International B.V.,**  
Roelofarendsveen, Netherlands

[\*\*] Term: **14 Years**

[21] Appl. No.: **2,307**

[22] Filed: **Dec. 8, 1992**

[30] **Foreign Application Priority Data**

Jun. 16, 1992 [GB] United Kingdom ..... 2023602

[52] U.S. Cl. .... **D14/195; D14/196;**  
D14/198

[58] Field of Search ..... 312/7.1; 455/344, 347,  
455/350, 351; D14/188, 189, 194-198

**U.S. PATENT DOCUMENTS**

- D. 165,049 11/1951 Budlong ..... D14/196
- D. 243,554 3/1977 Hoshino ..... D14/196
- D. 248,652 7/1978 Taguchi ..... D14/196
- D. 254,738 4/1980 Hoshino et al. .... D14/196

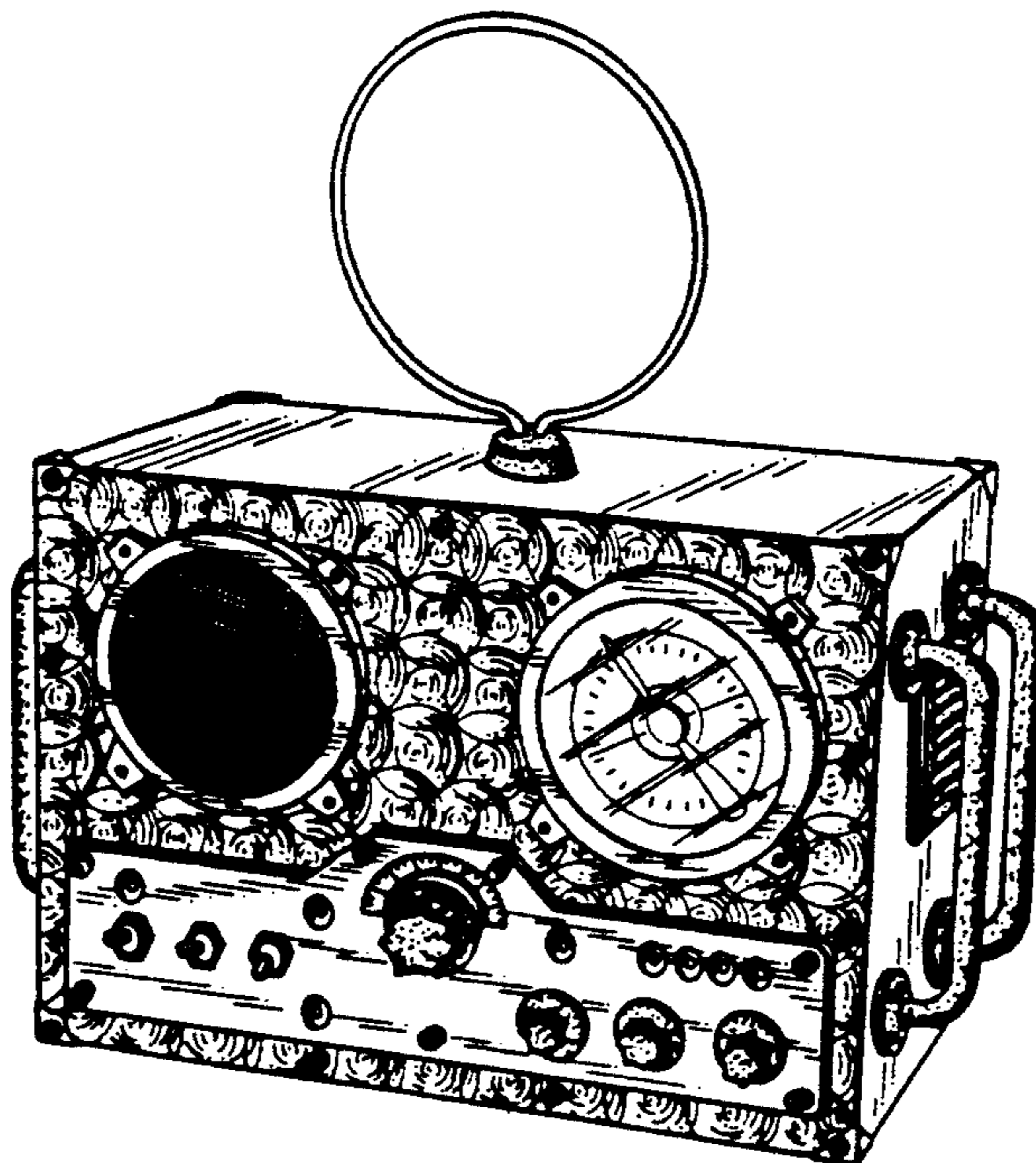
*Primary Examiner*—B. J. Bullock  
*Attorney, Agent, or Firm*—Foley & Lardner

[57] **CLAIM**

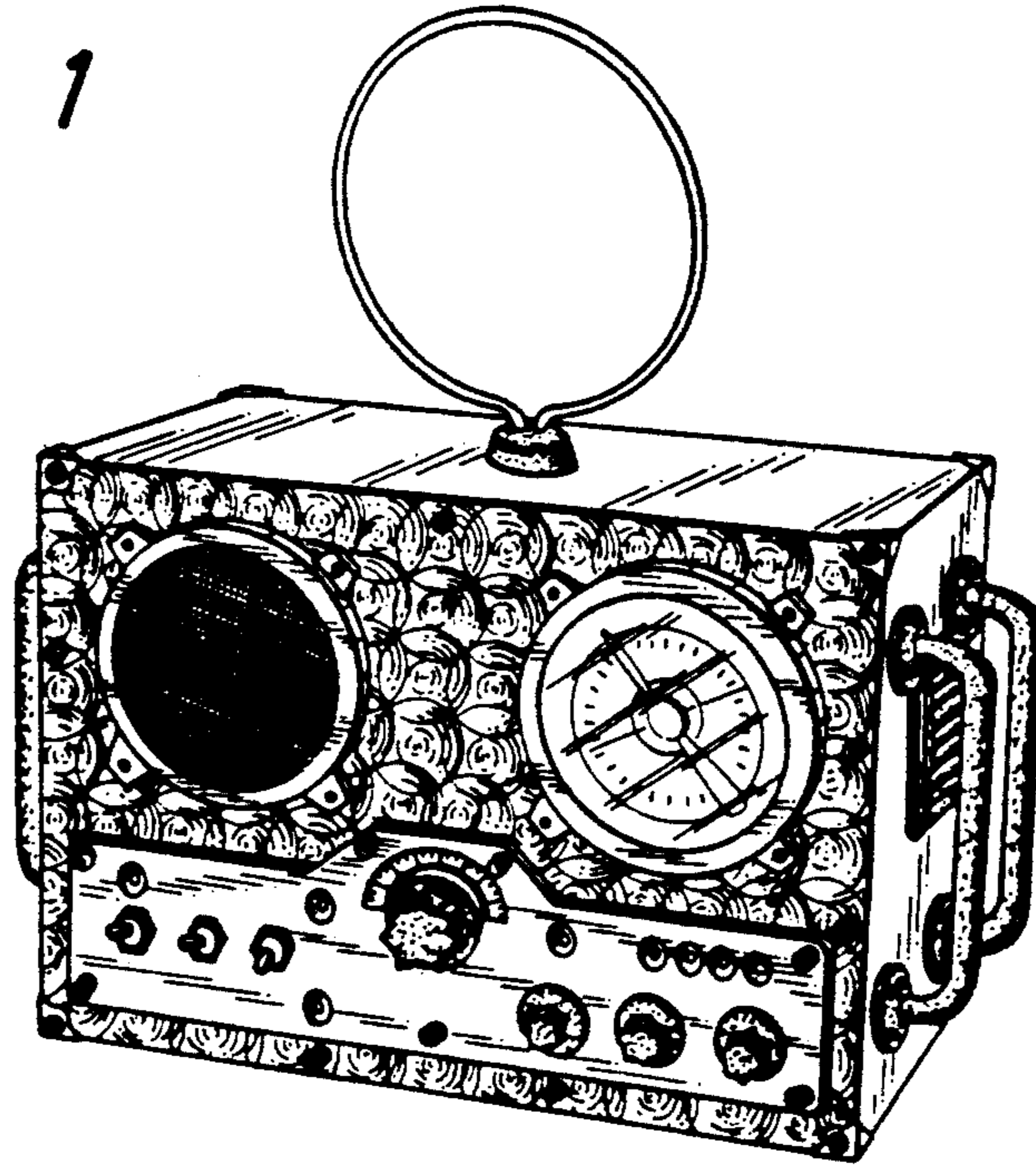
The ornamental design for a radio, as shown and described.

**DESCRIPTION**

FIG. 1 is a perspective view showing my new radio design;  
 FIG. 2 is a front elevational view thereof;  
 FIG. 3 is a rear elevational view thereof;  
 FIG. 4 is a right side elevational view thereof, the left side being a mirror image thereof; and,  
 FIG. 5 is a top plan view thereof, the bottom being a mirror image except for the omission of the antenna.



*FIG. 1*



*FIG. 2*

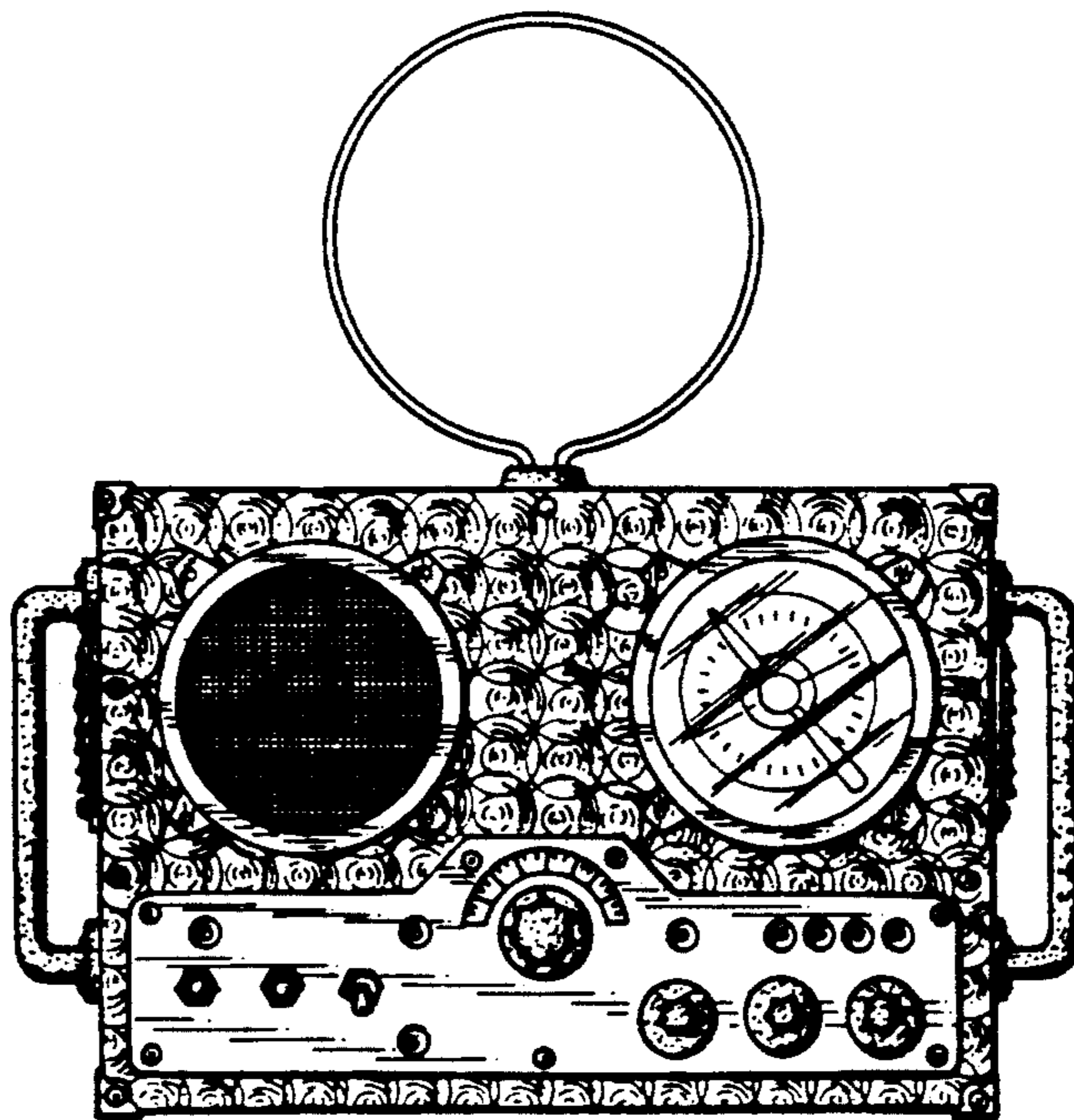


FIG. 3

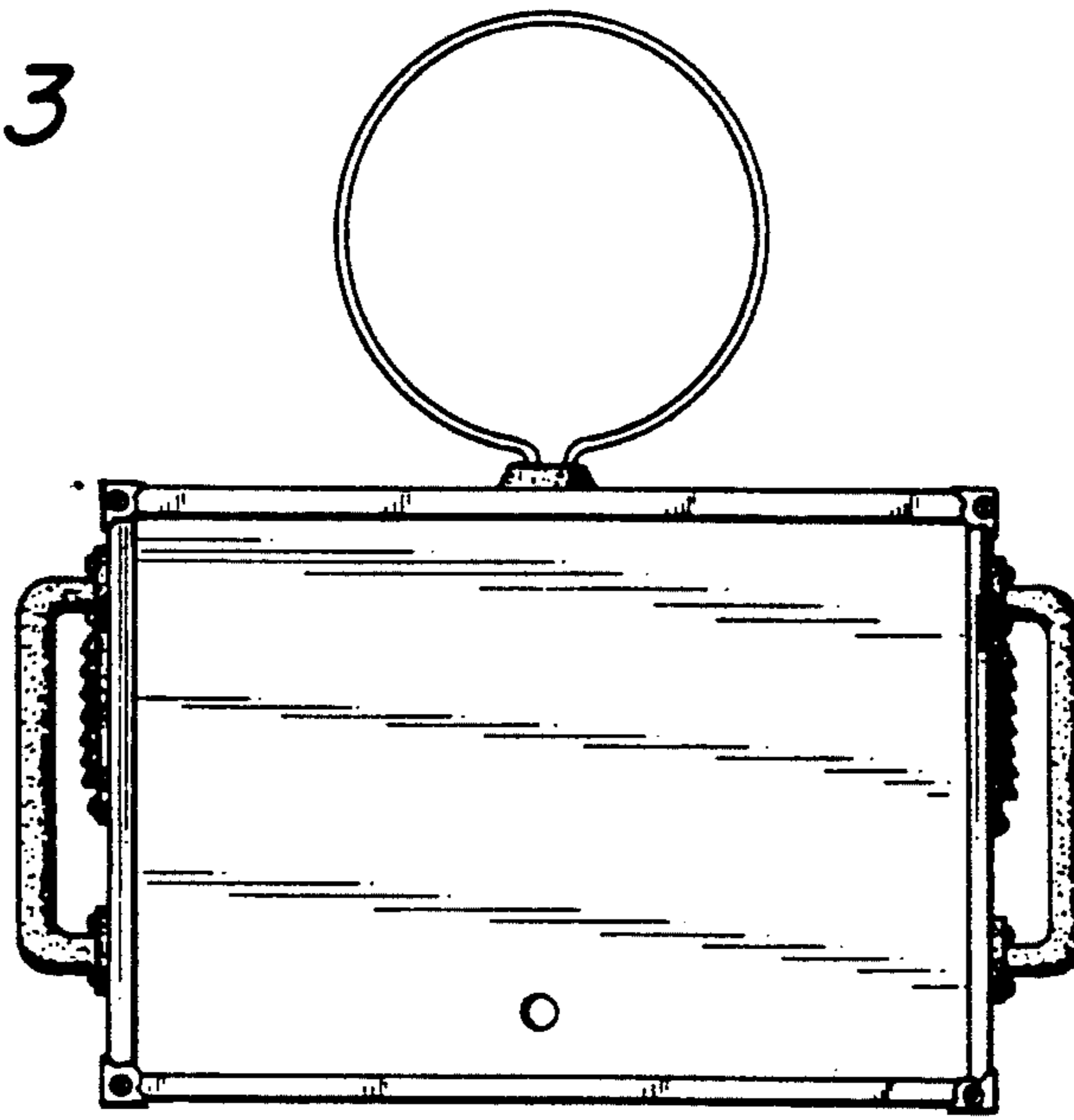


FIG. 4

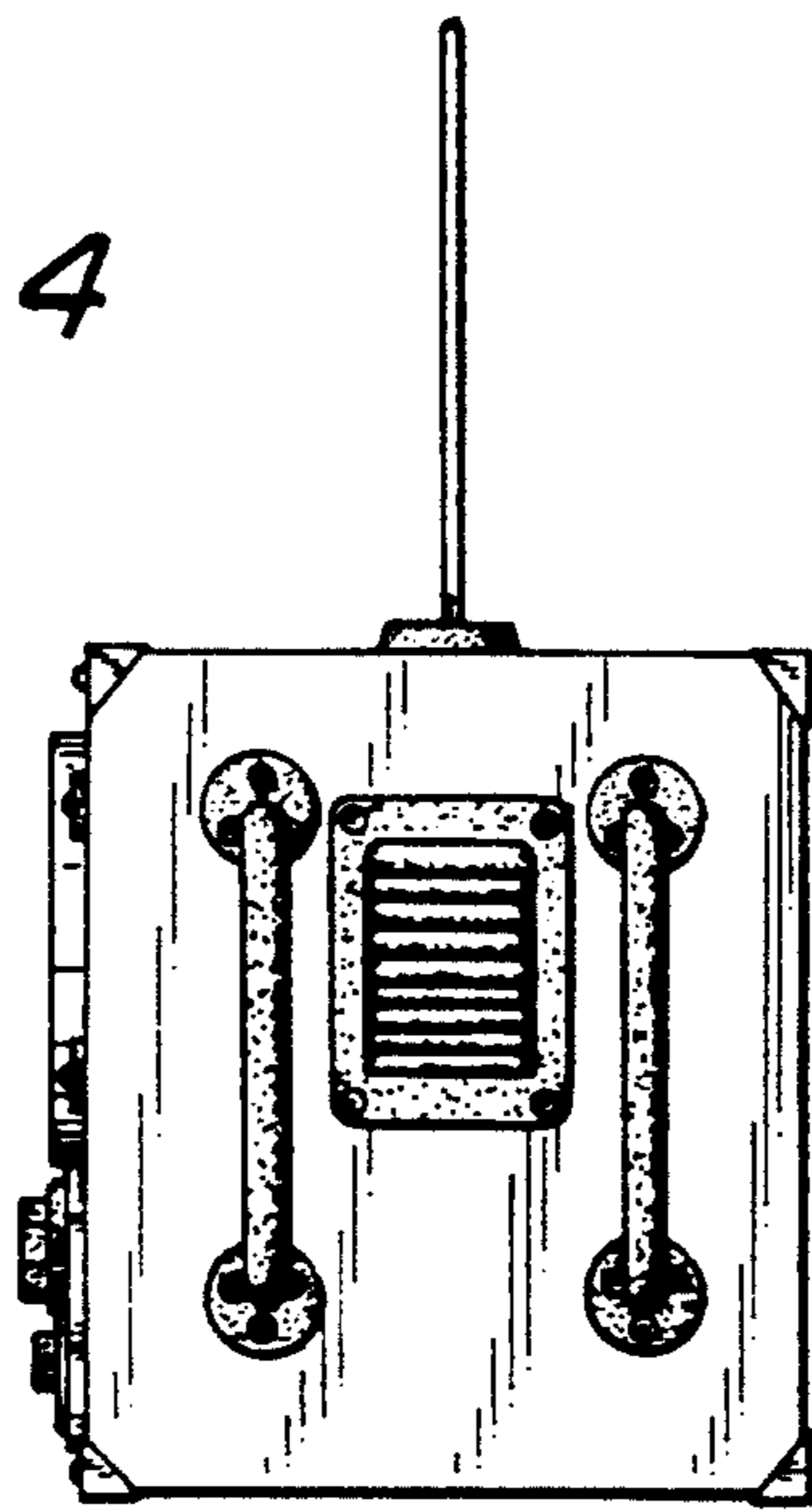


FIG. 5

