



US00D348462S

United States Patent [19]

[11] Patent Number: **Des. 348,462**

Campbell

[45] Date of Patent: **** Jul. 5, 1994**

[54] **PAGER**

[75] Inventor: **David W. F. Campbell, Nepean, Canada**

[73] Assignee: **Silcom Research Limited, Kanata, Canada**

[**] Term: **14 Years**

[21] Appl. No.: **883,855**

[22] Filed: **May 11, 1992**

[30] **Foreign Application Priority Data**

Nov. 12, 1991 [CA] Canada 12-11-91-7

[52] U.S. Cl. **D14/191**

[58] Field of Search 455/90, 92, 100, 128;
340/311.1; D14/124, 191, 192, 299

[56] **References Cited**

U.S. PATENT DOCUMENTS

- D. 284,472 7/1986 Nakatani et al. D14/191
- D. 297,640 9/1988 Hampf D14/191
- D. 311,188 10/1990 Oyamada et al. D14/191
- D. 325,913 5/1992 Takahashi et al. D14/191
- D. 326,094 5/1992 Muraki et al. D14/191

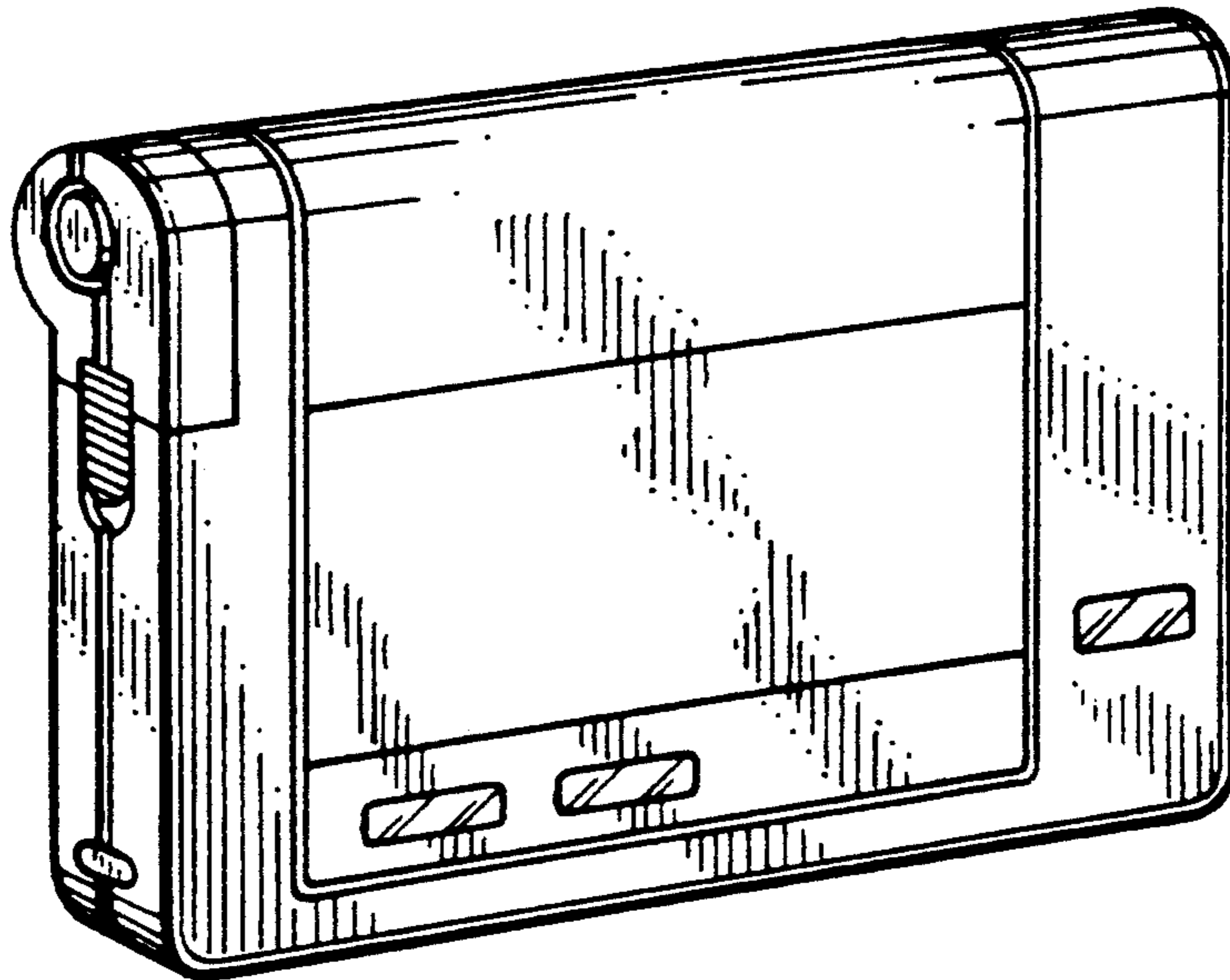
Primary Examiner—Theodore M. Shooman
Attorney, Agent, or Firm—Levine & Mandelbaum

[57] **CLAIM**

The ornamental design for a pager, as shown.

DESCRIPTION

FIG. 1 is a perspective view of a pager showing my new design;
 FIG. 2 is a rear view thereof;
 FIG. 3 is a bottom view thereof;
 FIG. 4 is a left side view thereof;
 FIG. 5 is a right side view thereof; and,
 FIG. 6 is a front view thereof.



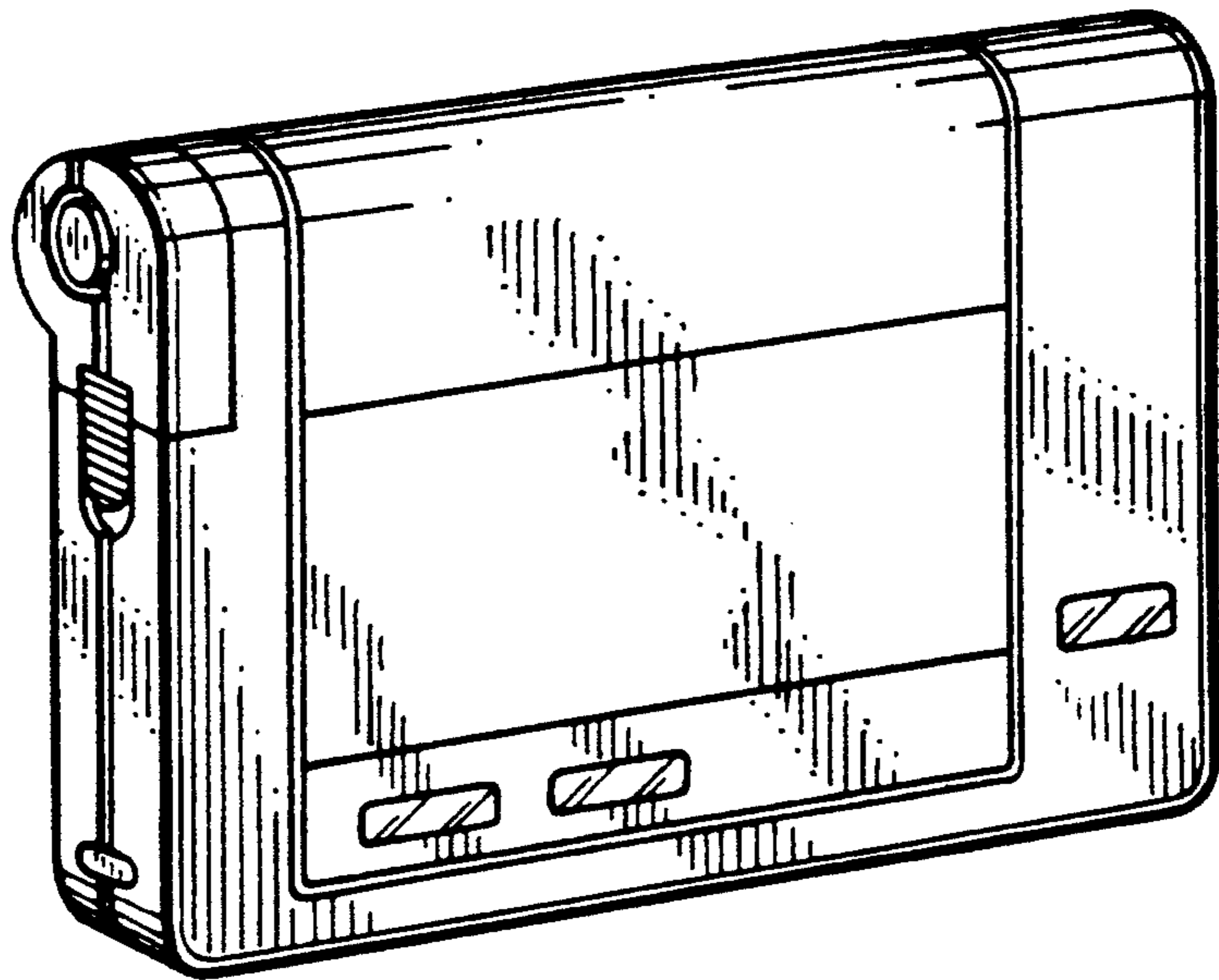


FIG. 1

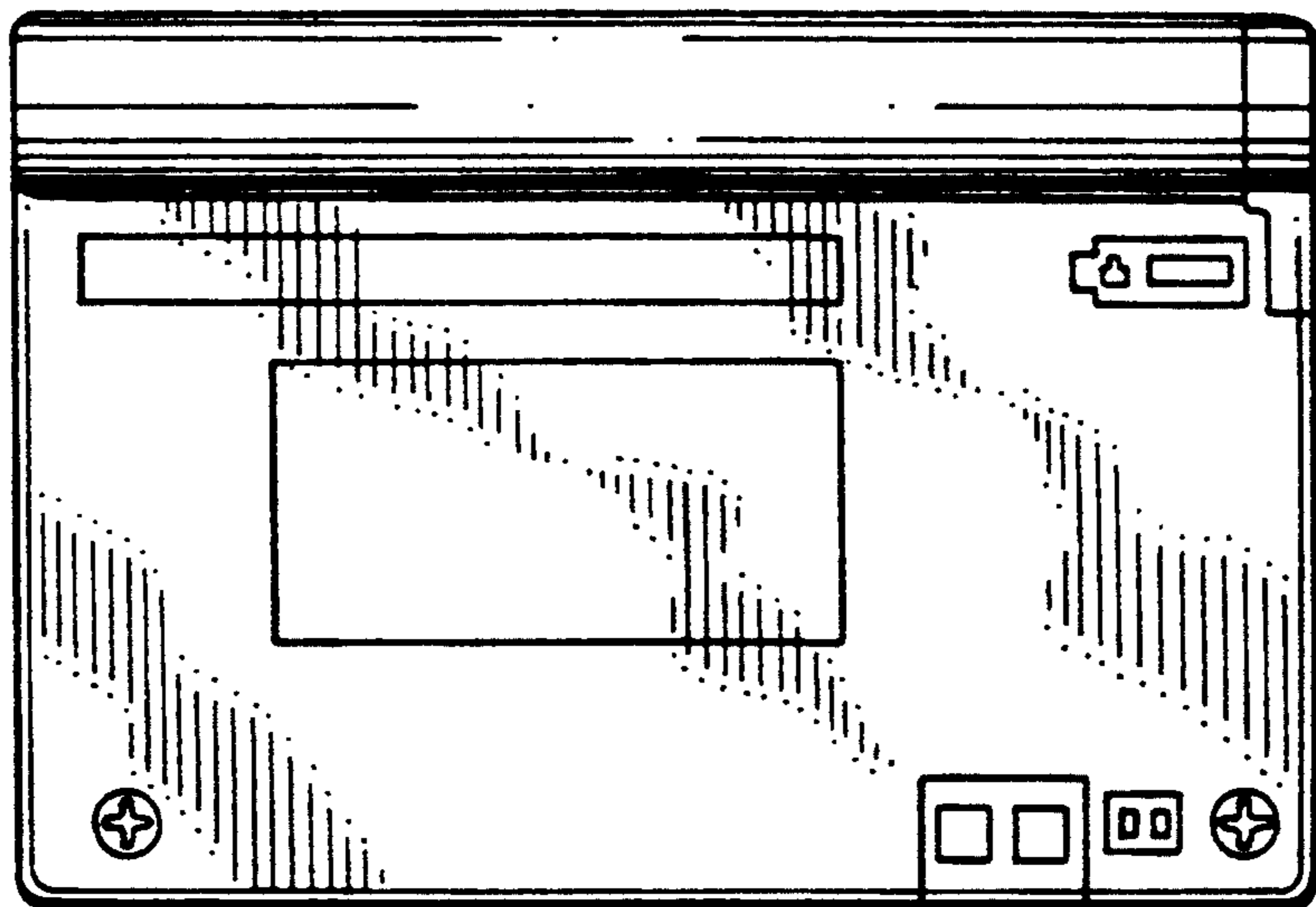


FIG. 2

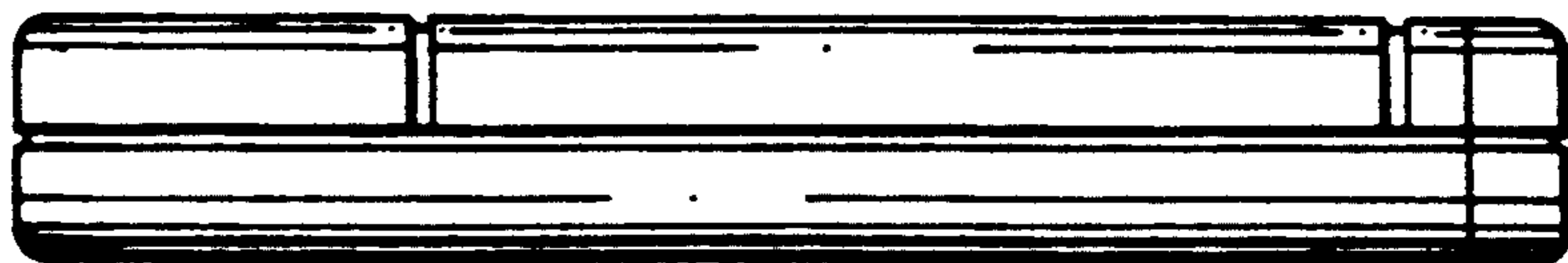


FIG. 3



FIG. 4

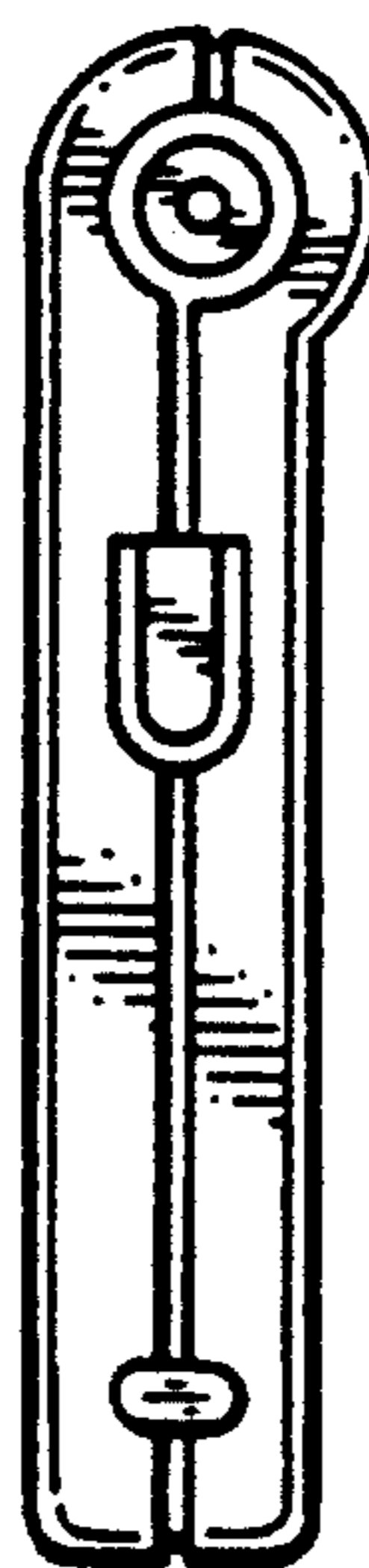


FIG. 5

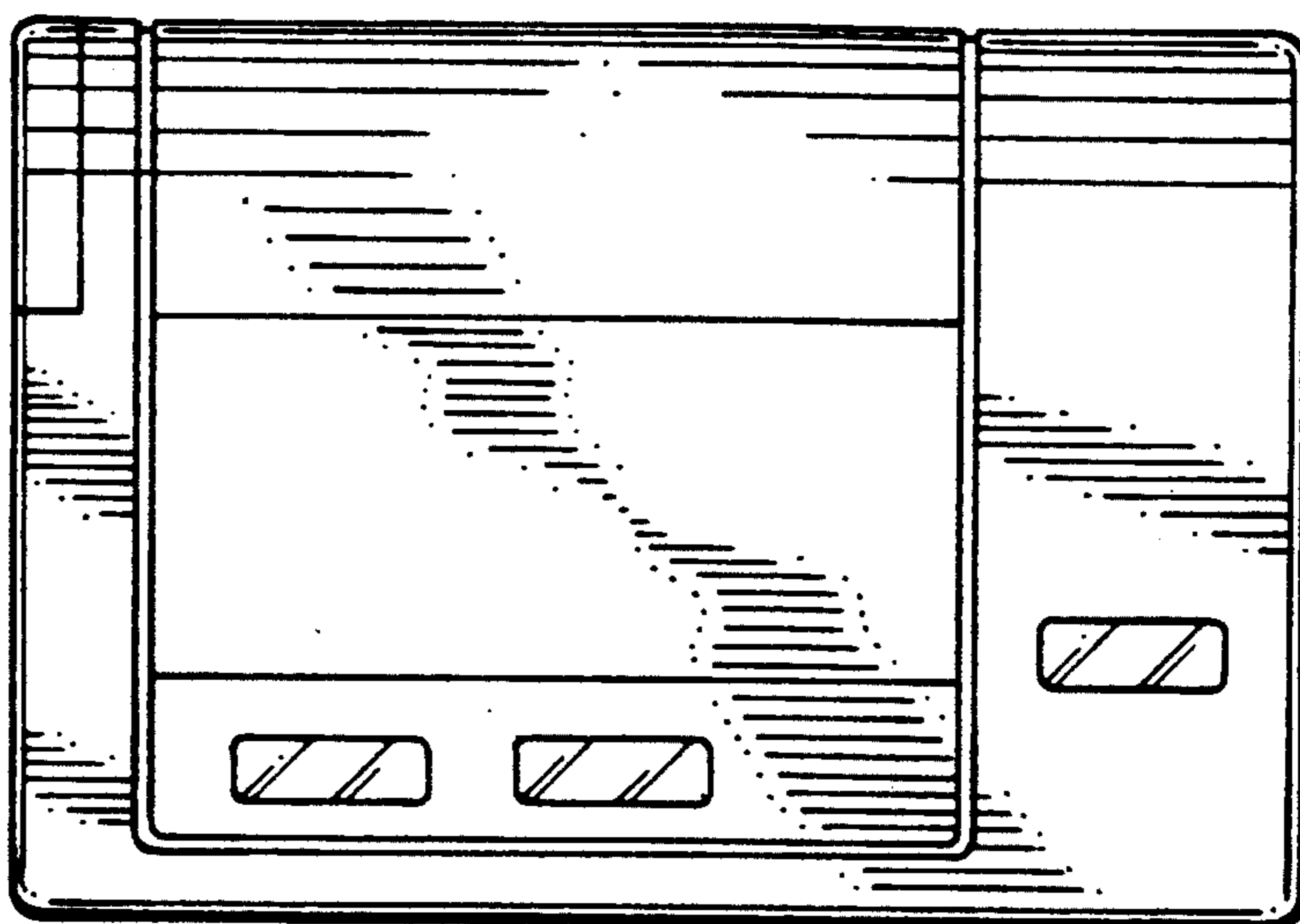


FIG. 6