



US00D348455S

United States Patent [19]

[11] Patent Number: **Des. 348,455**

Yip

[45] Date of Patent: **** Jul. 5, 1994**

[54] **WINDOWLESS CASSETTE**

[75] Inventor: **Alvin Yip, Hong Kong, Hong Kong**

[73] Assignee: **Lextron Media (HK) Ltd., Hong Kong**

[**] Term: **14 Years**

[21] Appl. No.: **922,058**

[22] Filed: **Jul. 29, 1992**

[52] U.S. Cl. **D14/121**

[58] Field of Search **206/387; 242/71.8, 197-199; D14/121, 164**

[56] **References Cited**

U.S. PATENT DOCUMENTS

D. 303,795	10/1989	Brown	D14/121
3,900,172	8/1975	Kamaya	D14/121 X
4,527,691	7/1985	Pertzsch et al.	206/387
4,898,338	2/1990	Oishi	242/198

Primary Examiner—Bernard Ansher
Assistant Examiner—Richelle Shelton
Attorney, Agent, or Firm—Fulwider Patton Lee & Utecht

[57] **CLAIM**

The ornamental design for a windowless cassette, as shown and described.

DESCRIPTION

FIG. 1 is a perspective view of a windowless cassette showing my new design;

FIG. 2 is a front elevational view thereof;

FIG. 3 is a rear elevational view thereof;

FIG. 4 is a side elevational view thereof taken from the left side of FIG. 1;

FIG. 5 is a side elevational view of the side of the cassette opposite the side shown in FIG. 4;

FIG. 6 is a top plan view of said cassette; and,

FIG. 7 is a bottom view thereof.

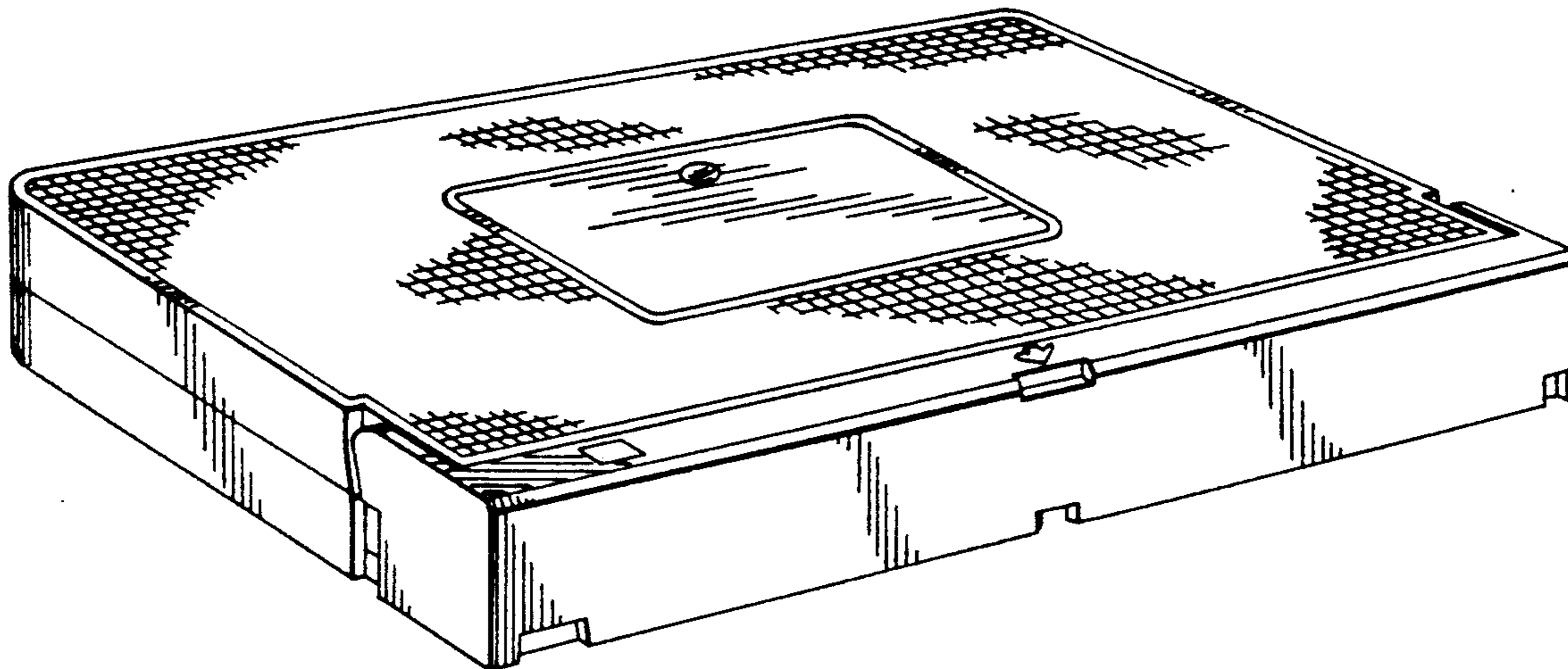


FIG. 1

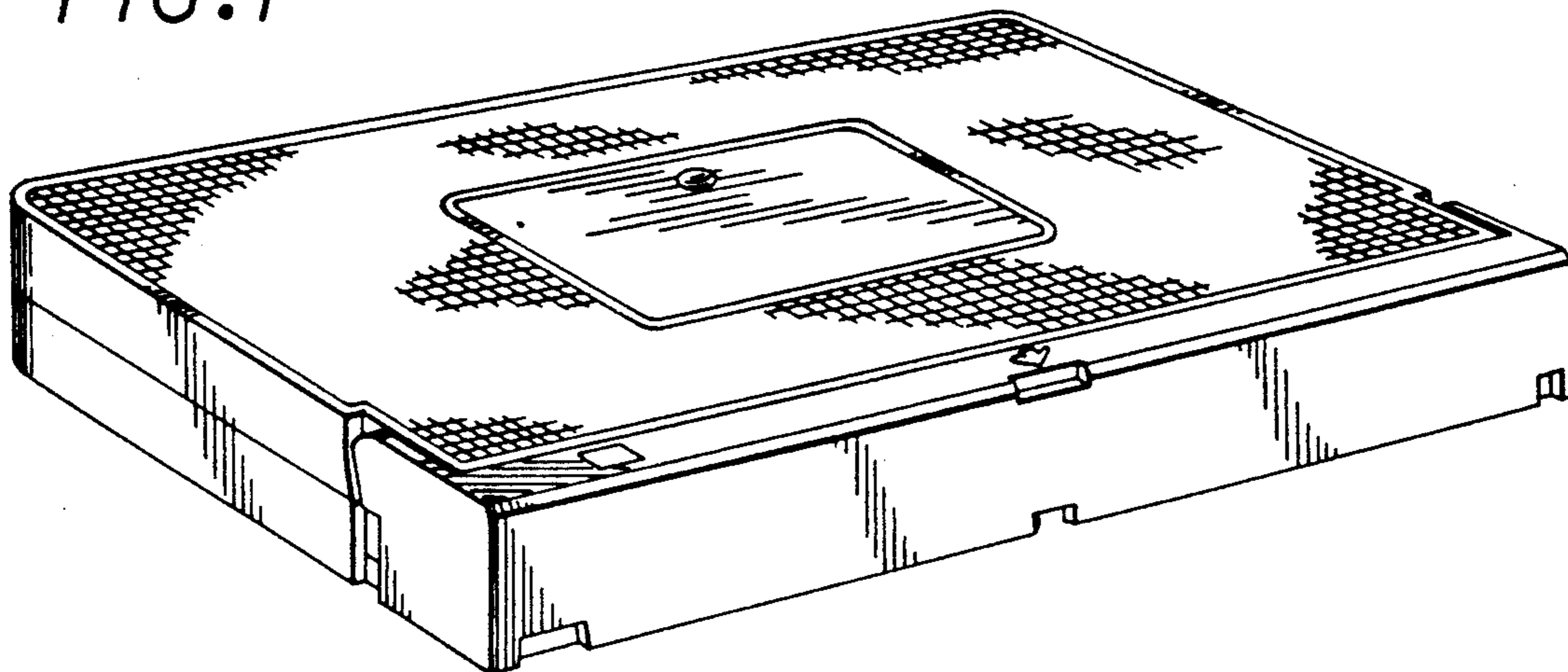


FIG. 2

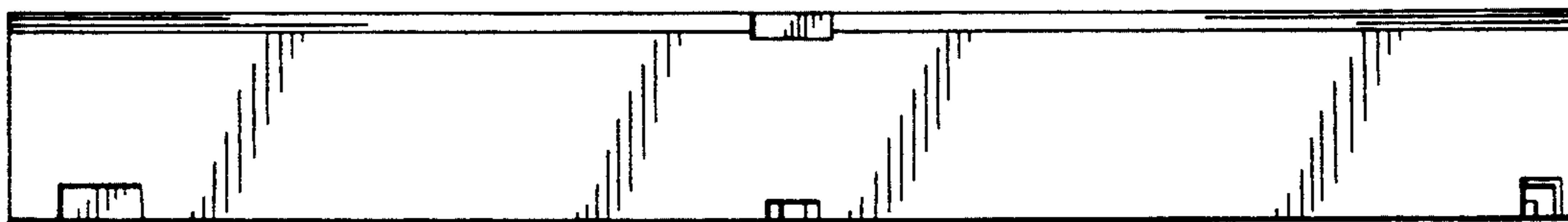


FIG. 3

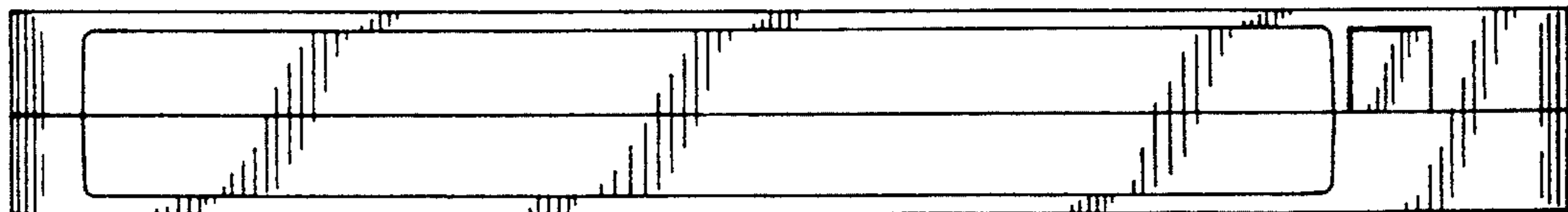


FIG. 4

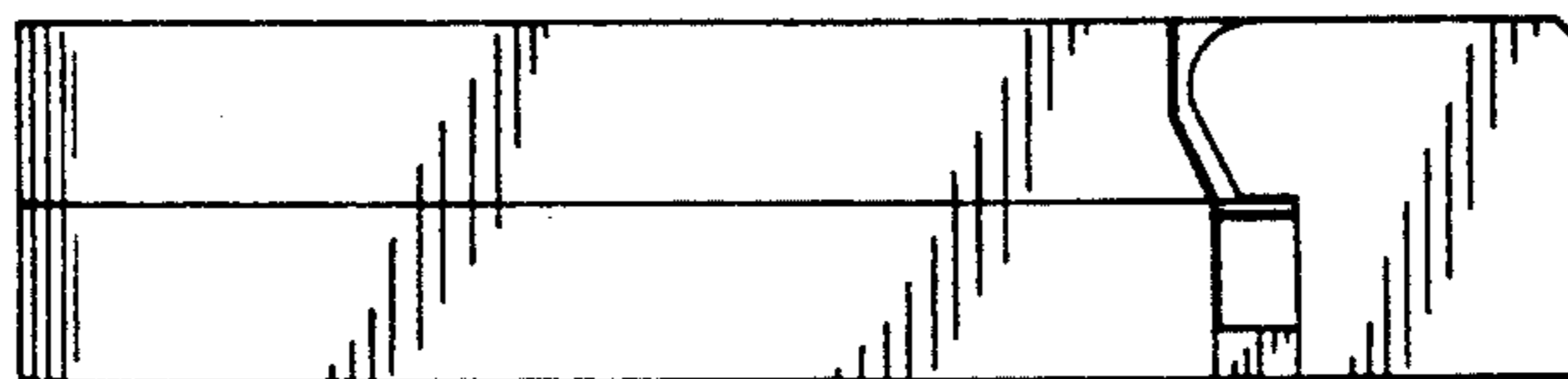


FIG. 5

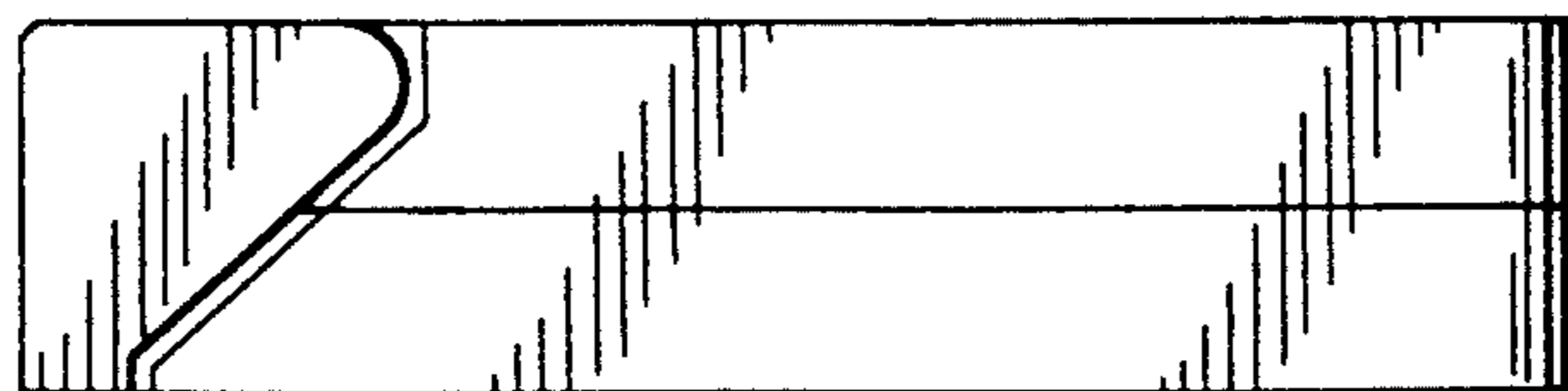


FIG. 6

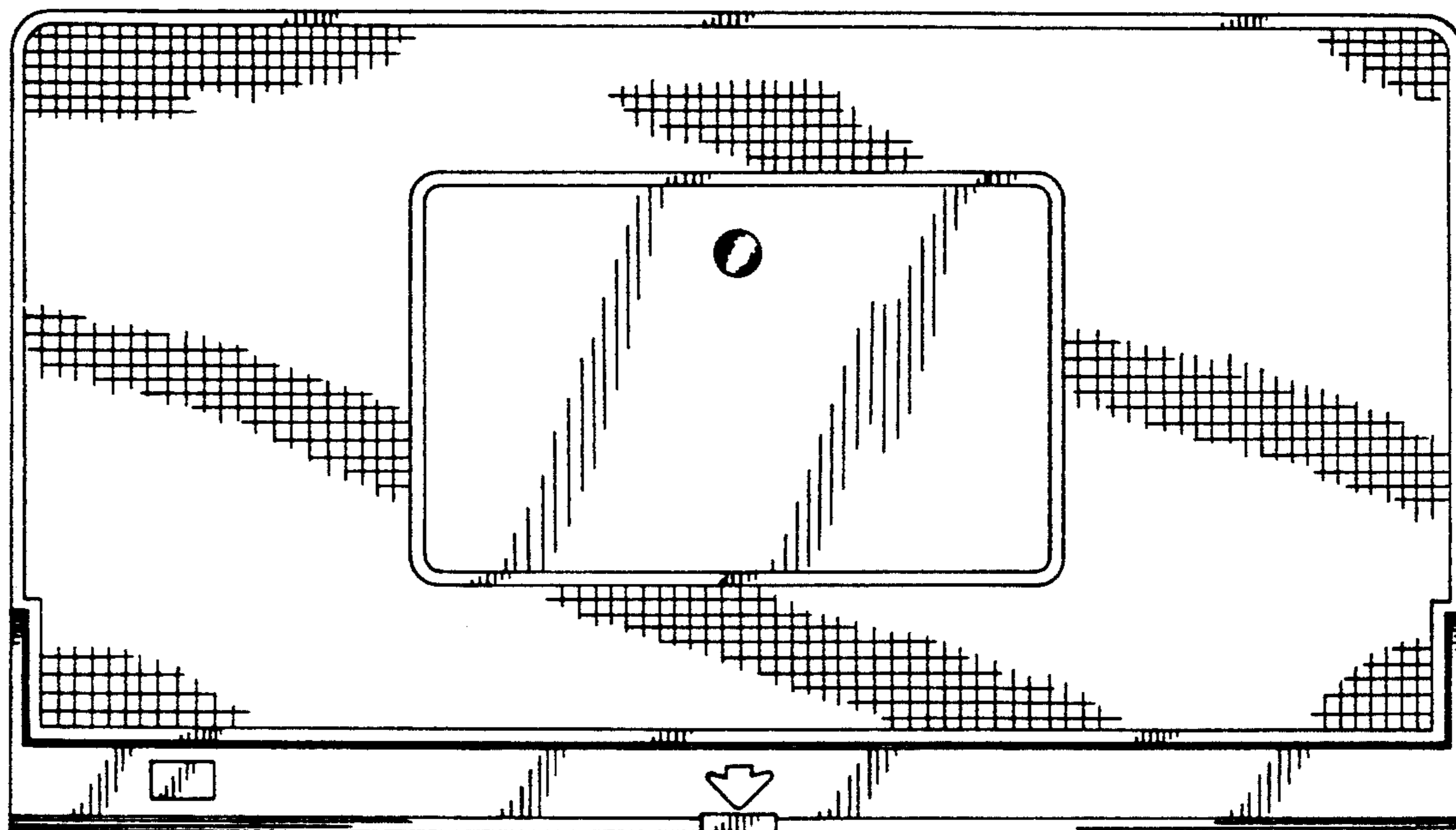


FIG. 7

