



US00D348453S

United States Patent [19]

[11] Patent Number: **Des. 348,453**

Riley et al.

[45] Date of Patent: **** Jul. 5, 1994**

[54] **KEYBOARD WITH WRIST PAD**

5,160,919 11/1992 Mohler et al. 340/711
5,198,991 3/1993 Pollitt 364/708

[75] Inventors: **Raymond W. Riley**, San Jose; **David W. Shen**, Cupertino; **Stephen Peart**, Los Gatos, all of Calif.

Primary Examiner—Wallace R. Burke
Assistant Examiner—Freda S. Nunn
Attorney, Agent, or Firm—Franklyn C. Weiss

[73] Assignee: **Apple Computer, Inc.**, Cupertino, Calif.

[57] **CLAIM**

[**] Term: **14 Years**

The ornamental design for a keyboard with wrist pad, as shown and described.

[21] Appl. No.: **906,121**

DESCRIPTION

[22] Filed: **Jun. 26, 1992**

[52] U.S. Cl. **D14/115**

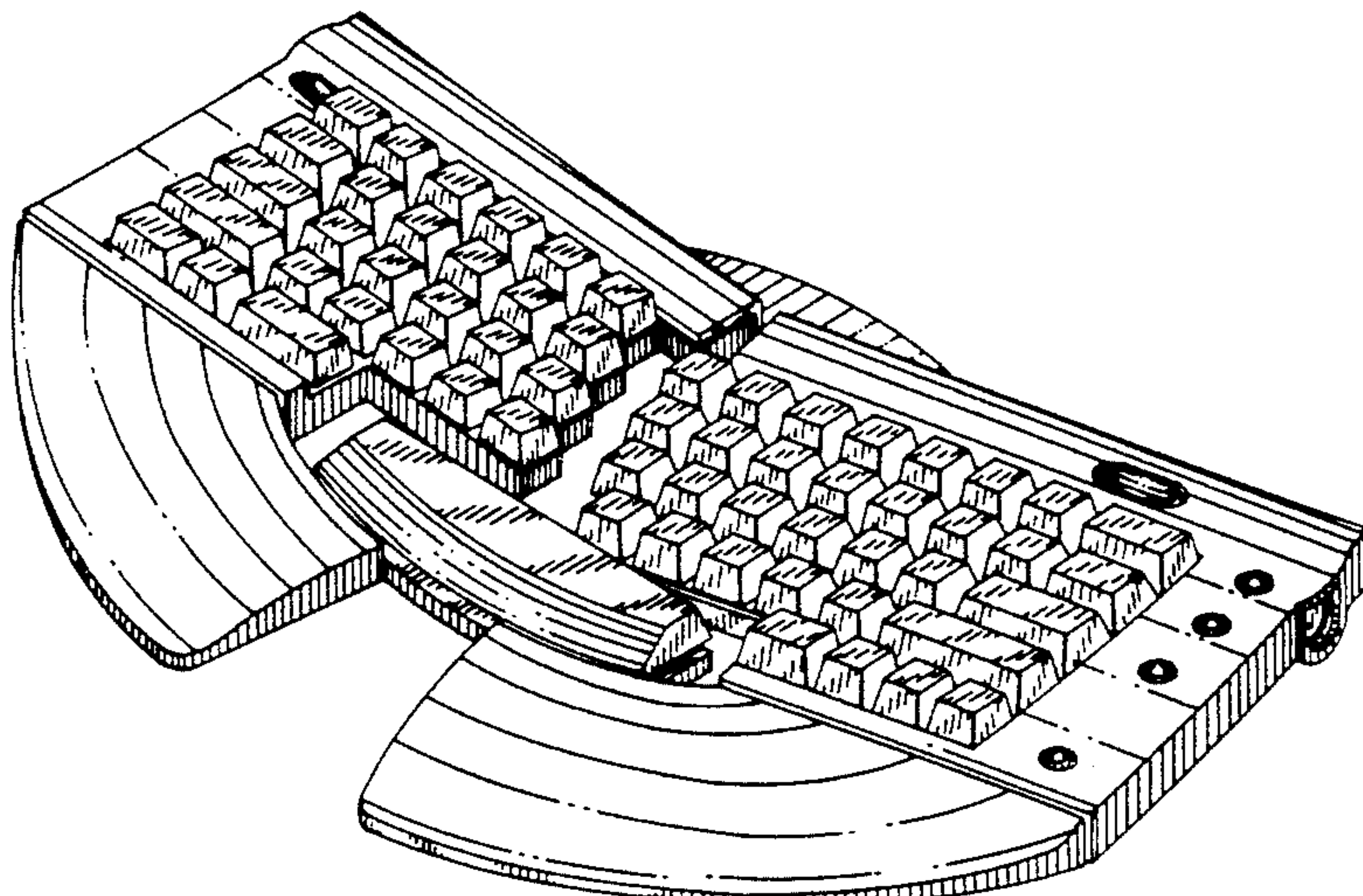
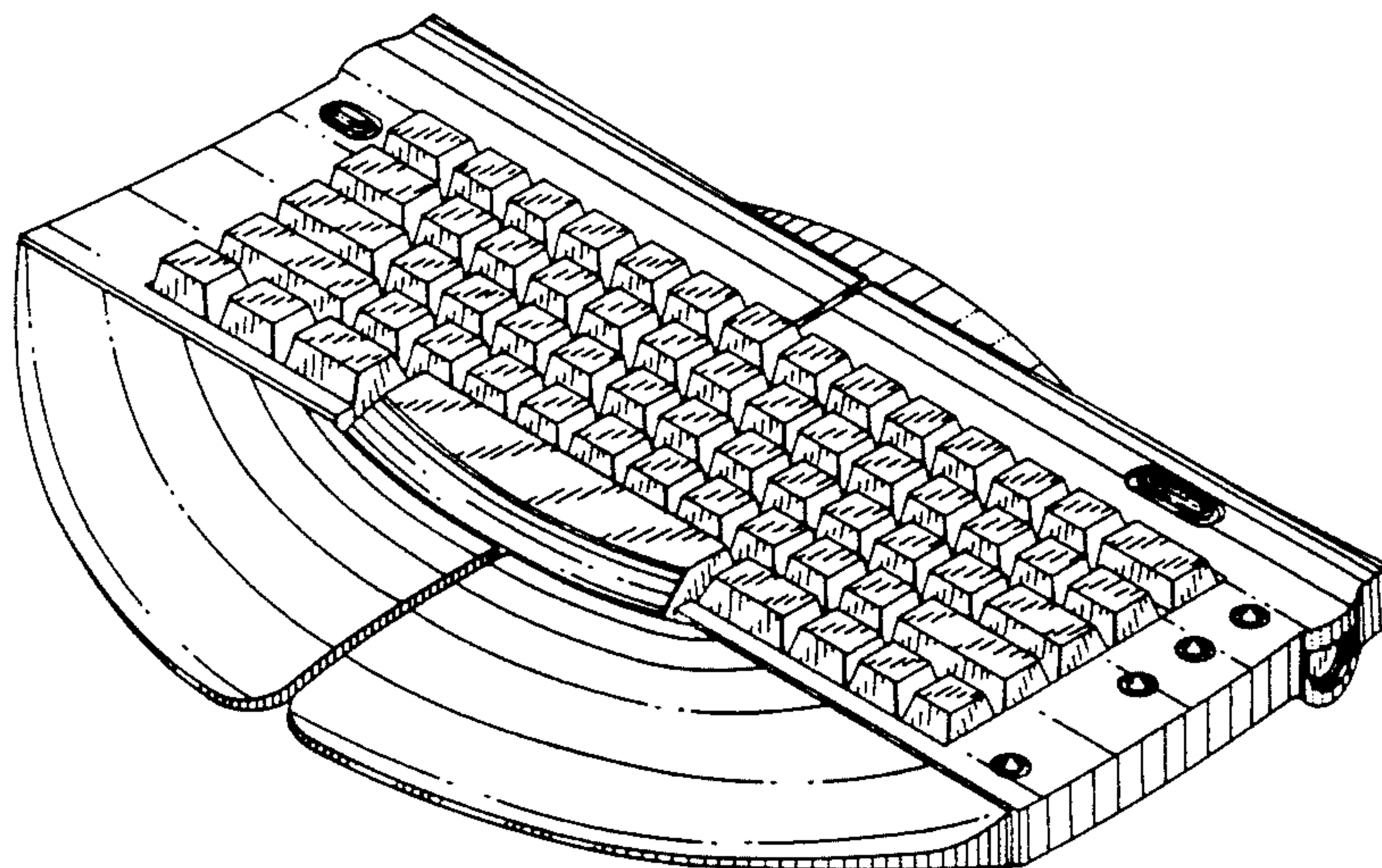
[58] Field of Search 235/145 A, 145 R;
340/700, 706, 711; 341/22, 23; 364/708, 709.04,
709.12; 400/486, 489; D14/100, 106, 113, 114,
115; D18/1, 7, 11, 12

FIG. 1 is a top view of a keyboard with wrist pad, showing our new design;
FIG. 2 is a bottom view thereof;
FIG. 3 is a right side view thereof;
FIG. 4 is a left side view thereof;
FIG. 5 is a rear view thereof;
FIG. 6 is a front view thereof;
FIG. 7 is a top, front, right side perspective view thereof; and,
FIG. 8 is a top, front, right side perspective view thereof, shown in a partially open position.
FIGS. 3-8 are drawn on an enlarged scale.

[56] **References Cited**

U.S. PATENT DOCUMENTS

- D. 323,817 2/1992 Büchin D14/100
- D. 338,460 8/1993 Neumeister D14/115
- D. 338,665 8/1993 Riley et al. D14/115



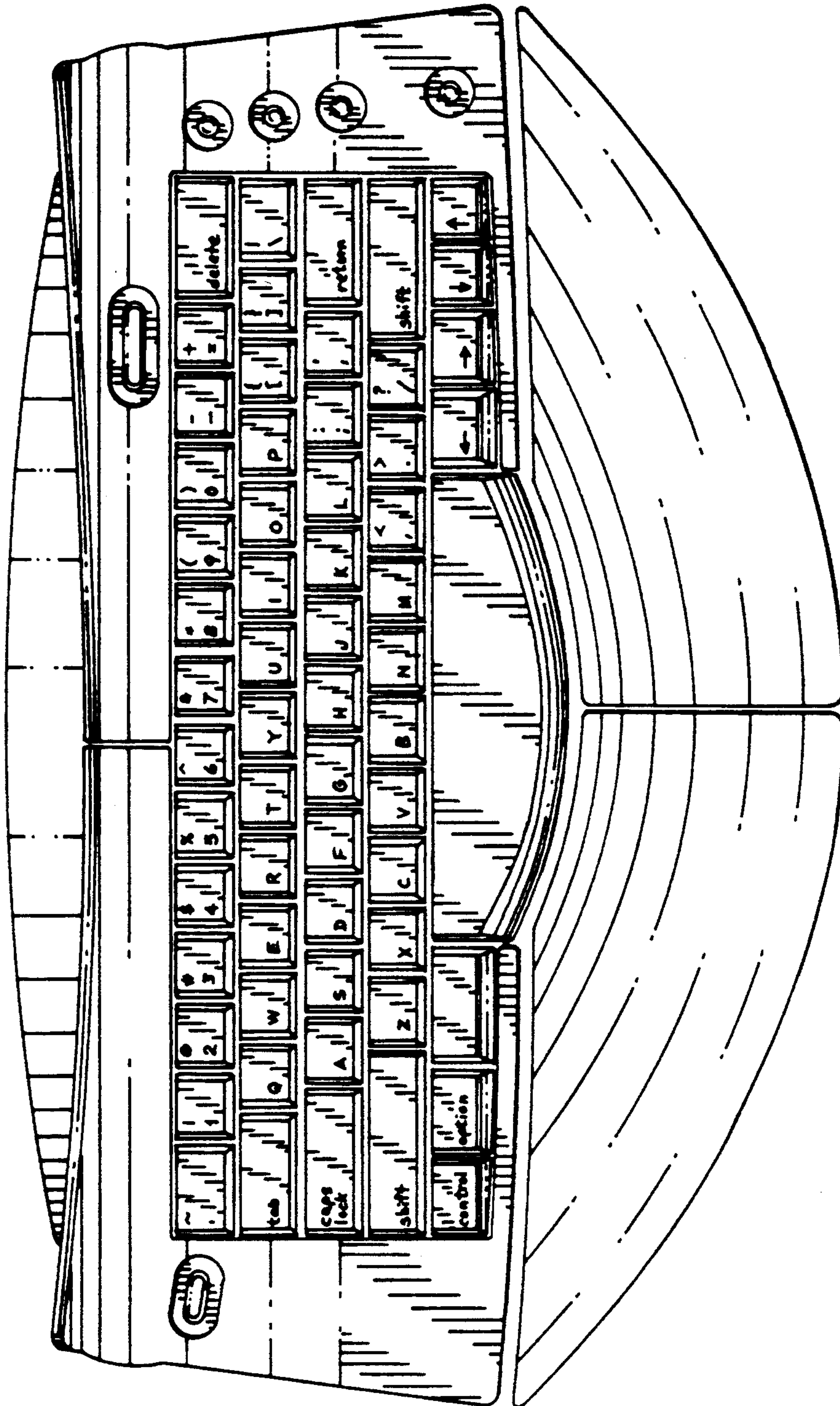


FIG. 1

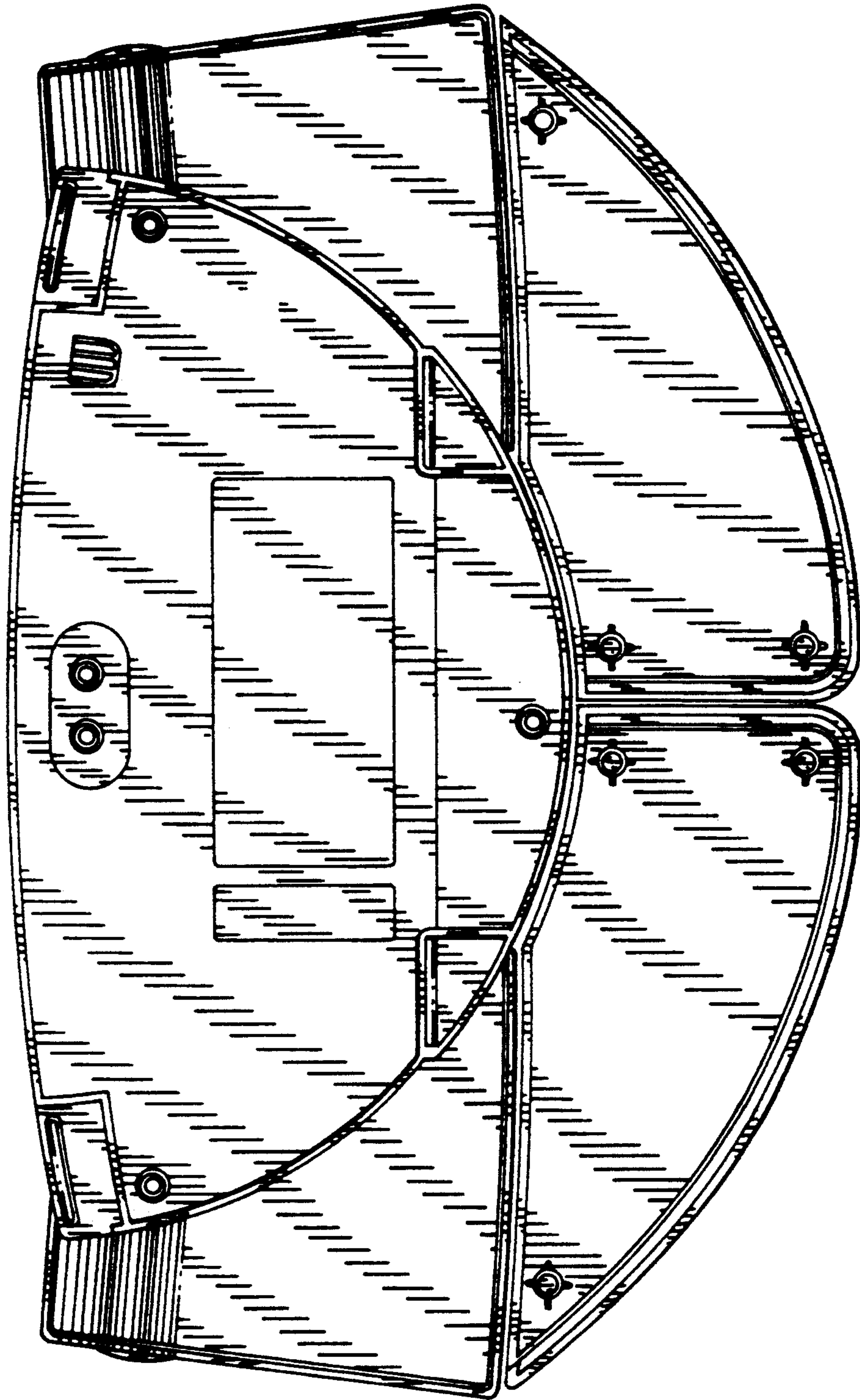


FIG. 2

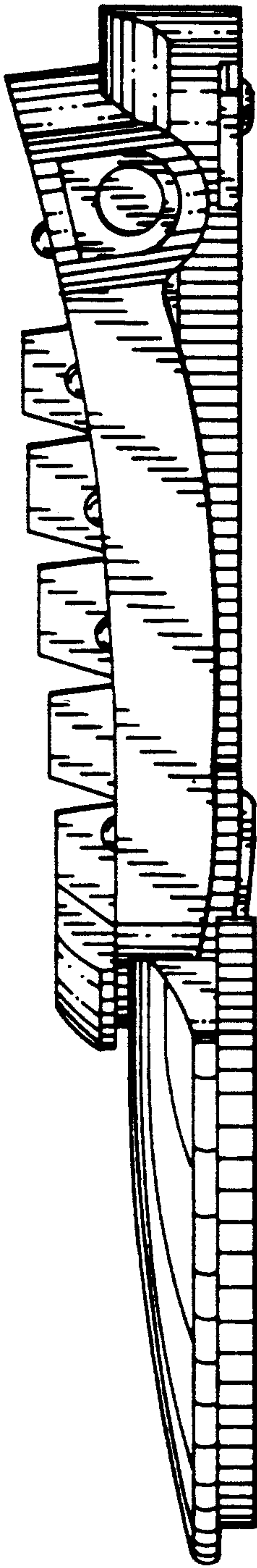


FIG. 3

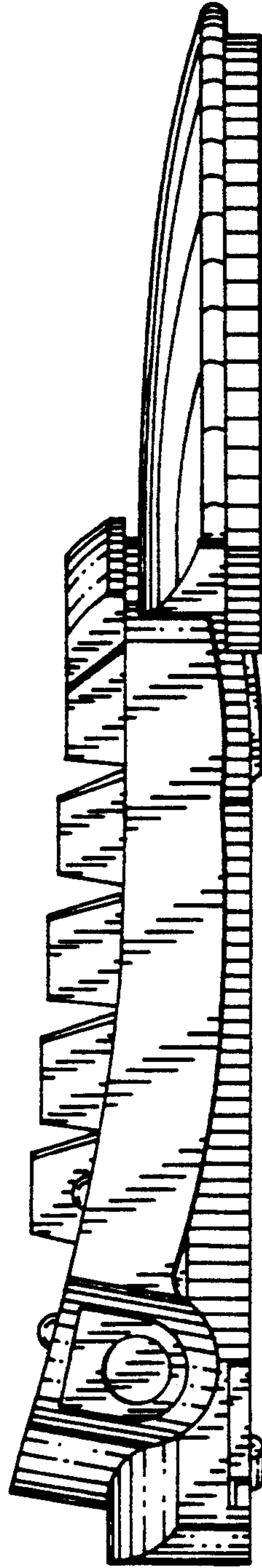


FIG. 4

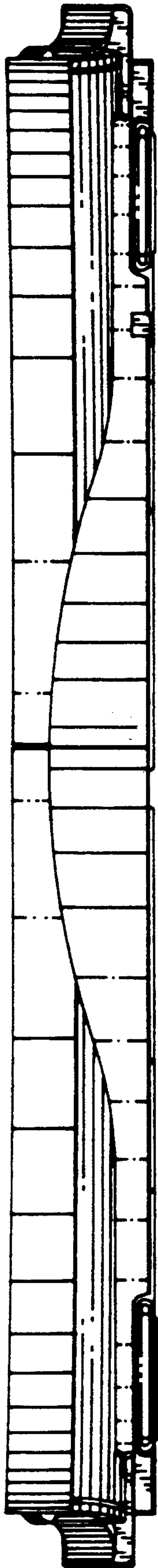


FIG. 5

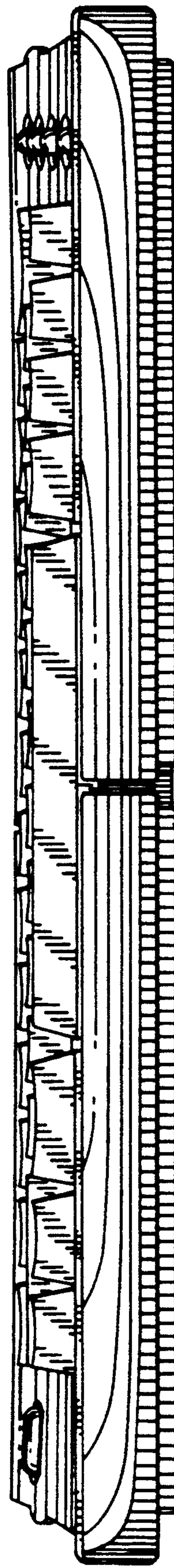


FIG. 6

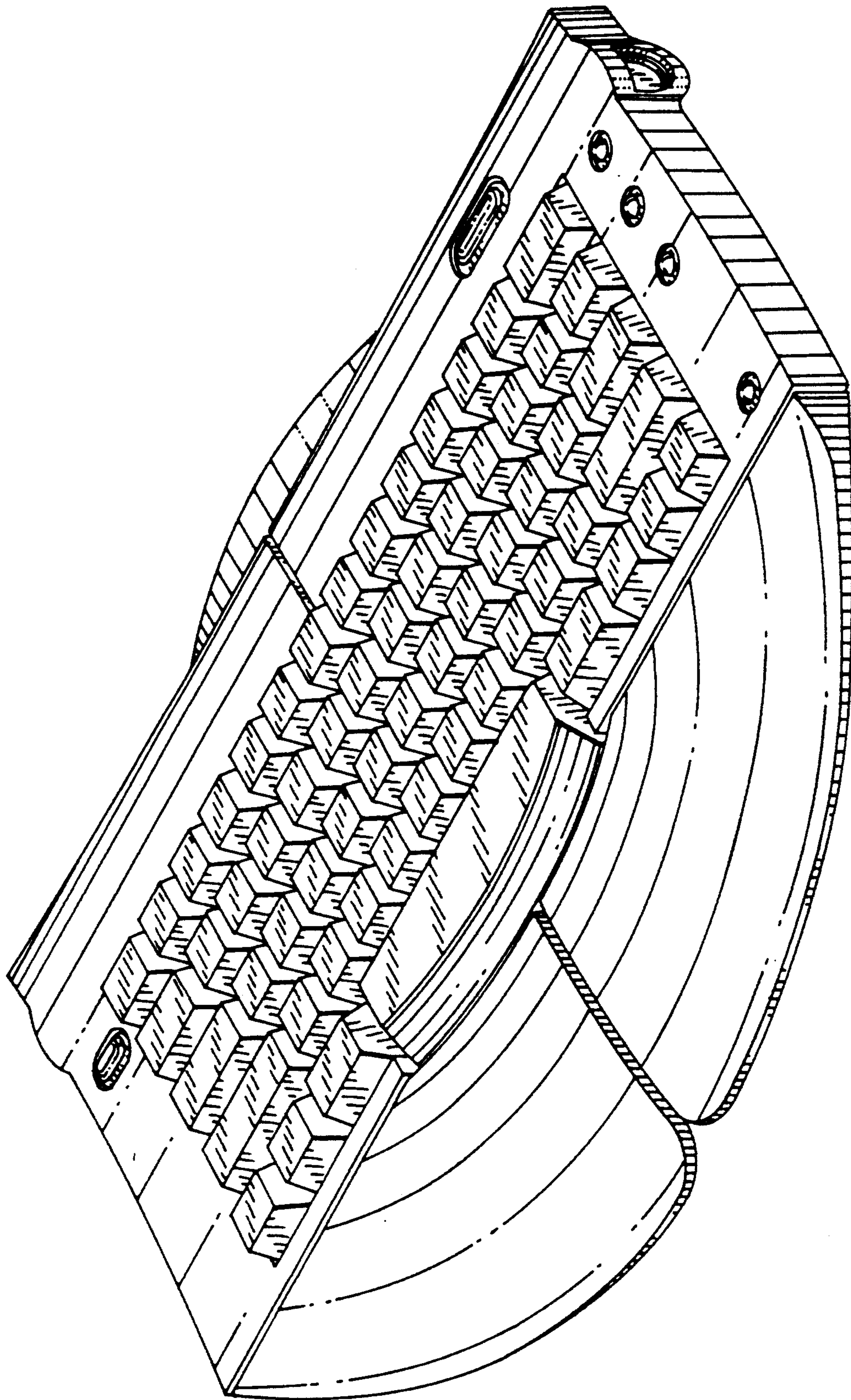


FIG. 7

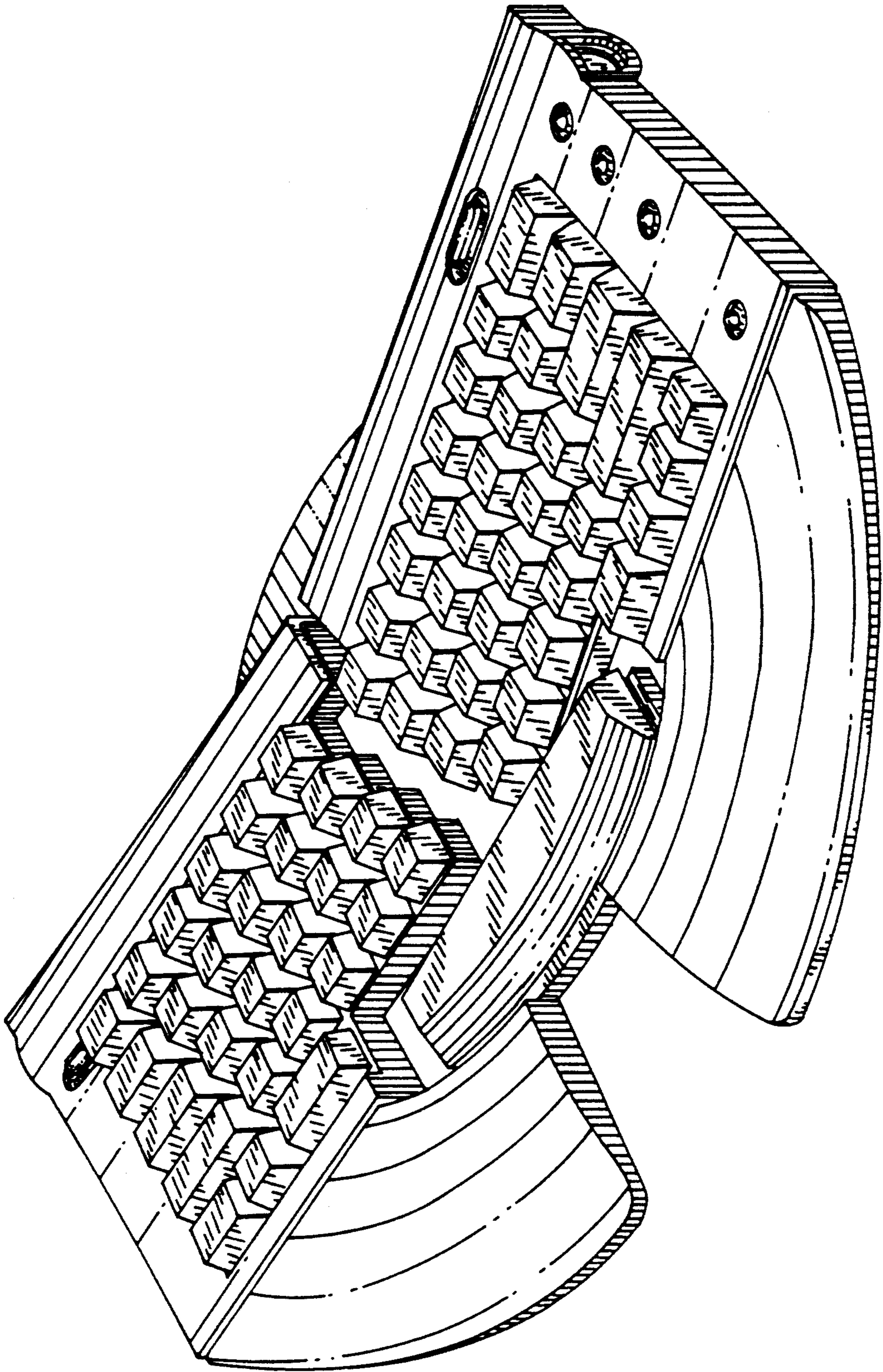


FIG. 8