



US00D348448S

United States Patent [19]

Read et al.

[11] Patent Number: **Des. 348,448**

[45] Date of Patent: **** Jul. 5, 1994**

[54] REMOVABLE RIGID DISK DRIVE

[56] References Cited

[76] Inventors: **John D. Read**, P.O. Box 738, Monument, Colo. 80132; **Charles E. Vaillant**, 110 Tower St., Hudson, Mass. 01749; **Gordon J. Norquay**, 17390 Caribou Dr., Monument, Colo. 80132

U.S. PATENT DOCUMENTS

D. 332,256 1/1993 Lewis D14/109
D. 334,917 4/1993 Miyamoto D14/109 X
D. 336,289 6/1993 Hill D14/107 X
D. 336,639 6/1993 Ishizawa D14/109

Primary Examiner—Wallace R. Burke
Assistant Examiner—Freda S. Nunn
Attorney, Agent, or Firm—Albert P. Cefalo; Ronald C. Hudgens; Barry N. Young

[**] Term: **14 Years**

[57] CLAIM

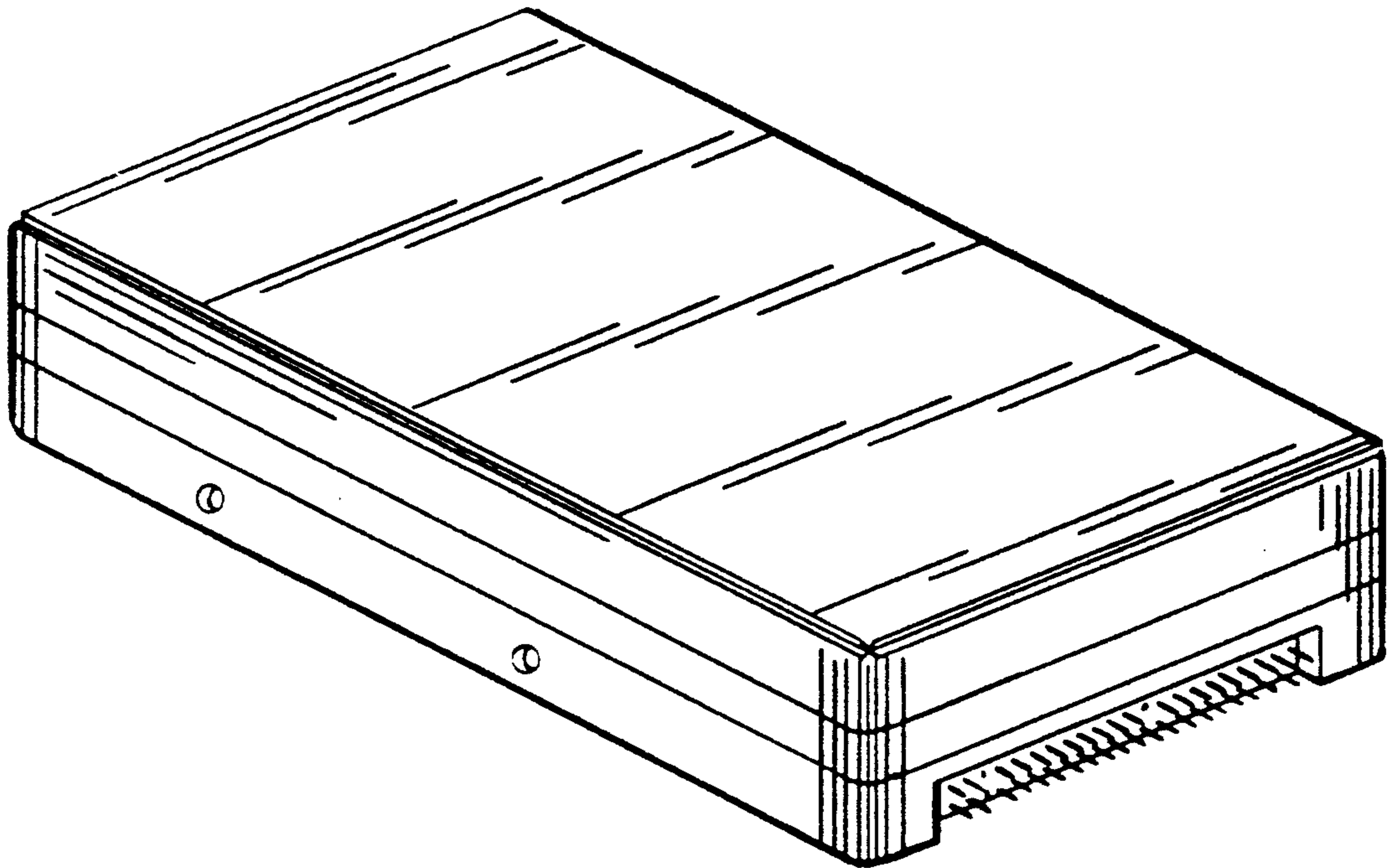
The ornamental design for a removable rigid disk drive, as shown and described.

[21] Appl. No.: **855,990**

DESCRIPTION

[22] Filed: **Mar. 20, 1992**
[52] U.S. Cl. **D14/109**
[58] Field of Search 360/99.12;
361/390-395; D14/100, 102, 108, 109;
D13/162, 184, 199

FIG. 1 is a top front and side perspective view of a removable rigid disk drive showing our new design the opposite side view is a mirror image;
FIG. 2 is a front elevated view thereof;
FIG. 3 is a back elevated view thereof; and,
FIG. 4 is a bottom plan view thereof.



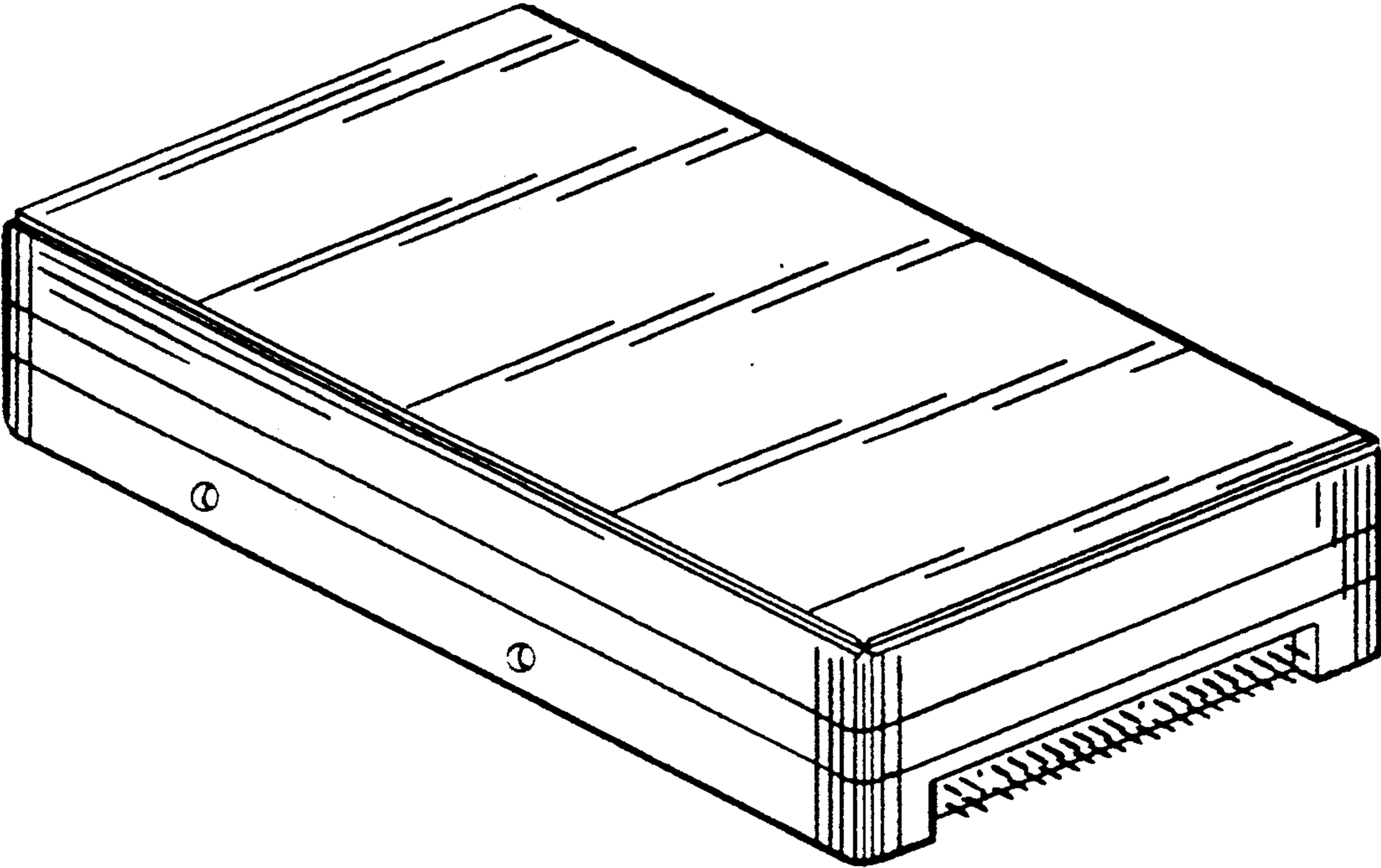


FIG. 1

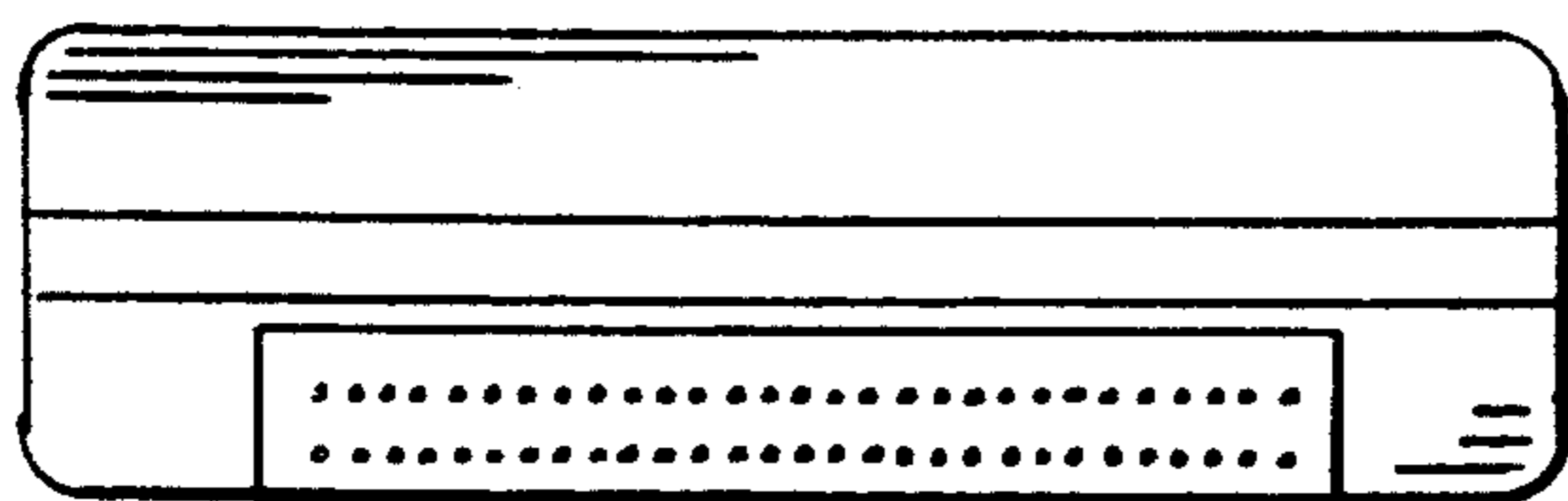


FIG. 2

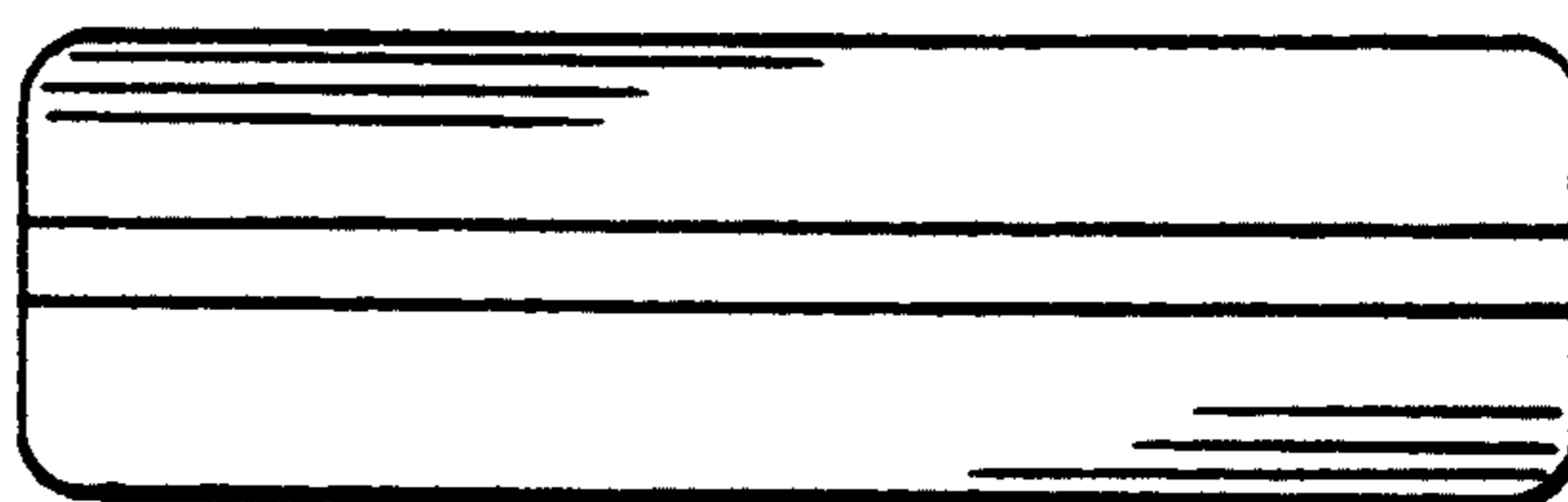


FIG. 3

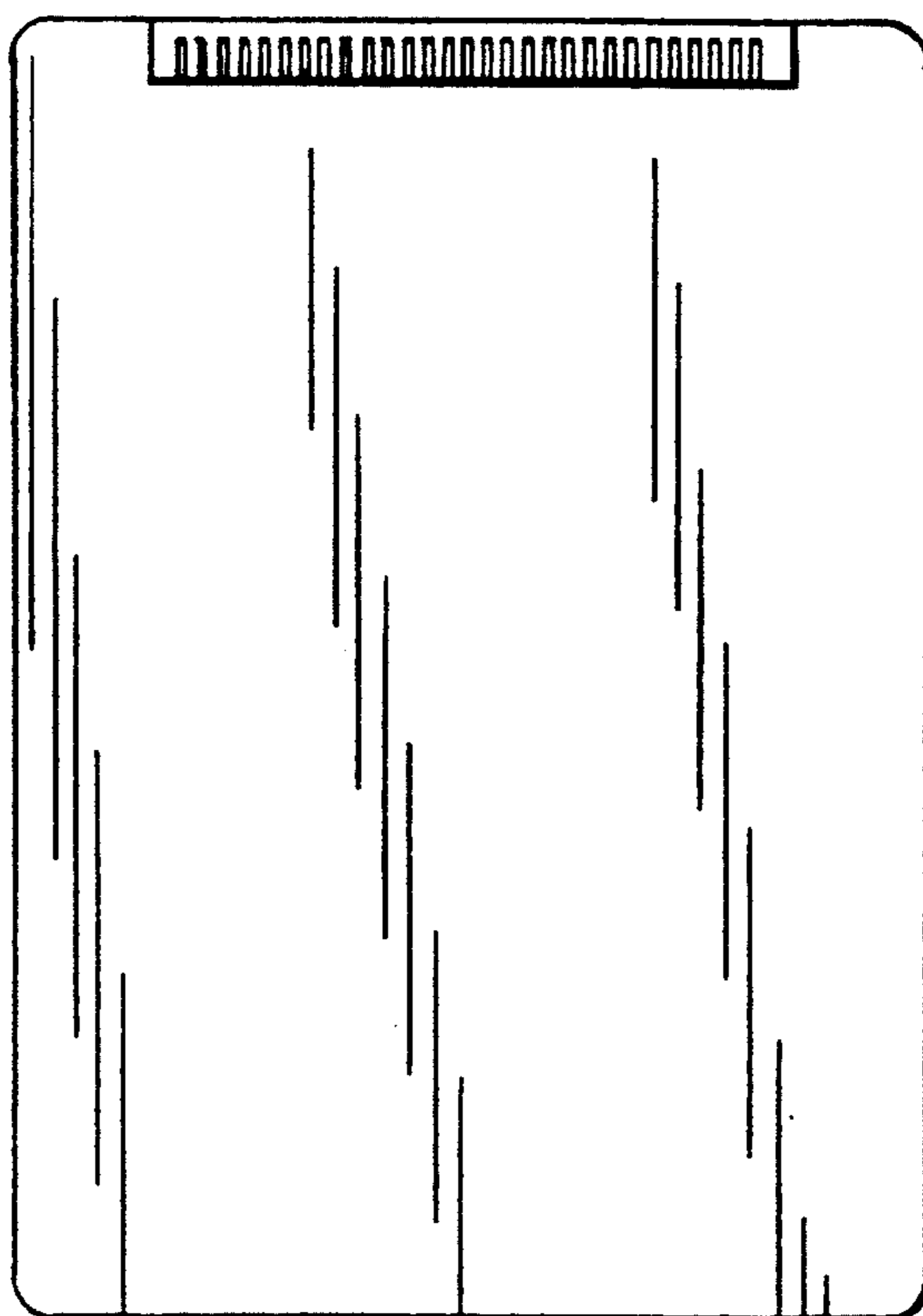


FIG. 4