



US00D348445S

# United States Patent [19]

[11] Patent Number: **Des. 348,445**

Fishbine et al.

[45] Date of Patent: **\*\* Jul. 5, 1994**

[54] **HAND HELD FINGERPRINT SCANNER FOR IMAGING AND CAPTURING A PHOTOGRAPHIC IMAGE**

4,876,725 10/1989 Tomko ..... 382/2  
4,925,300 5/1990 Rachlin ..... 356/71  
5,034,615 7/1991 Rios et al. .... 250/461.1

[75] Inventors: **Glenn M. Fishbine, Eden Prairie; Robert J. Withoff, Minnetonka, both of Minn.**

### OTHER PUBLICATIONS

Thumb Scan Inc. Catalog, Jan. 1988.

[73] Assignee: **Digital Biometrics, Inc., Minnetonka, Minn.**

*Primary Examiner*—Melvin B. Feifer  
*Assistant Examiner*—Adir Aronovich  
*Attorney, Agent, or Firm*—Merchant, Gould, Smith, Edell, Welter & Schmidt

[\*\*] Term: **14 Years**

### [57] CLAIM

[21] Appl. No.: **828,704**

The ornamental design for a hand held fingerprint scanner for imaging and capturing a photographic image, as shown and described.

[22] Filed: **Jan. 31, 1992**

[52] U.S. Cl. .... **D14/107**

### DESCRIPTION

[58] Field of Search ..... 40/362, 367; 382/2, 382/58, 59, 62; 356/71; D14/100, 107, 116; D21/110-113

FIG. 1 is a top, front and right side perspective view of a first embodiment of a hand held fingerprint scanner for imaging a photographic image showing our new design;

### [56] References Cited

#### U.S. PATENT DOCUMENTS

D. 307,894 5/1990 Siemiatkowski ..... D14/116  
D. 328,594 8/1992 Kobayashi ..... D14/107  
D. 330,543 10/1992 Tsuchida et al. .... D14/100  
4,250,644 2/1981 Jantzen ..... 40/367  
4,771,475 9/1988 Kimura ..... 382/59

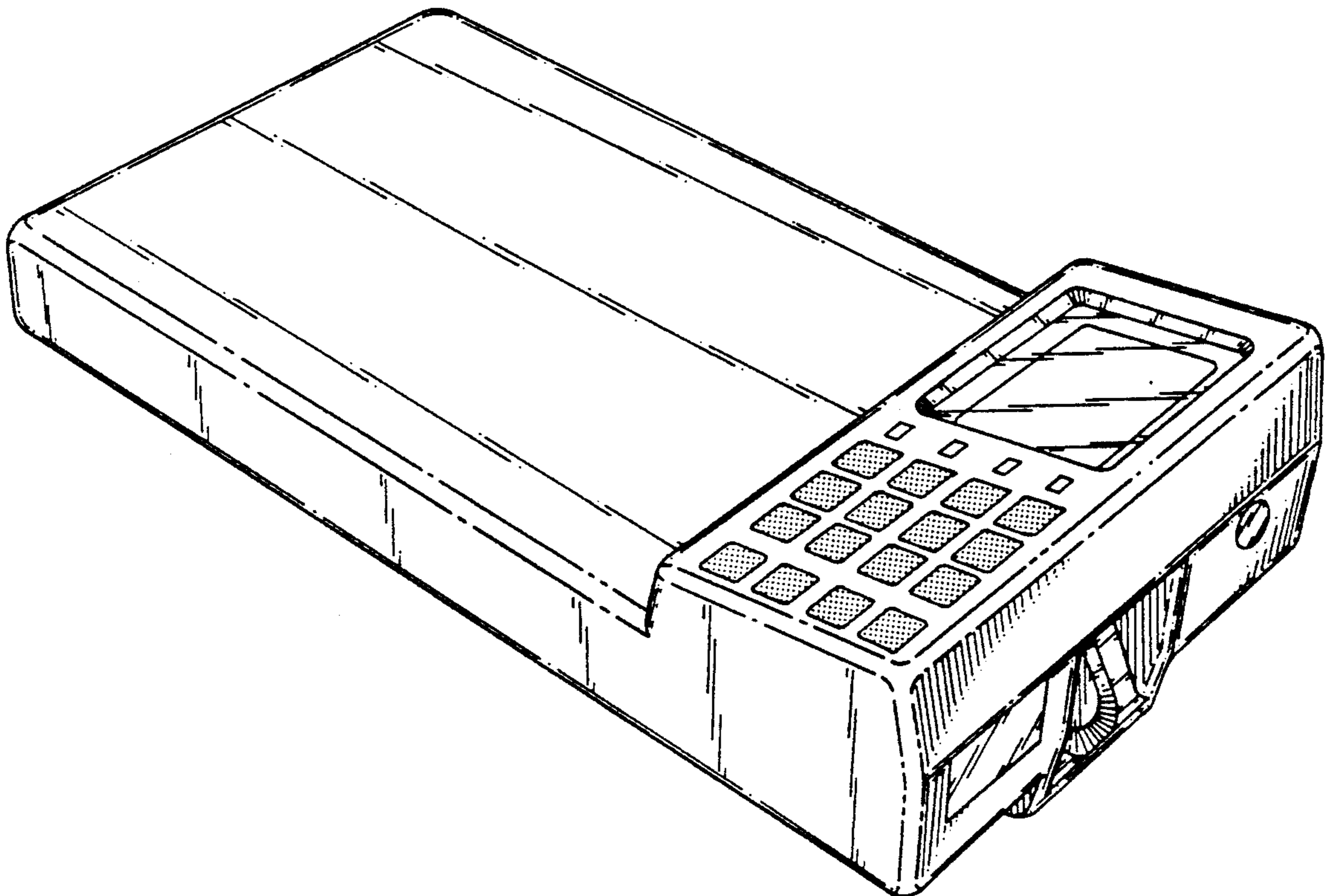
FIG. 2 is a front elevational view thereof;

FIG. 3 is a rear elevational view thereof;

FIG. 4 is a top plan view thereof;

FIG. 5 is a bottom plan view thereof; and,

FIG. 6 is a right side elevational view thereof; the side opposite that shown being a mirror image.



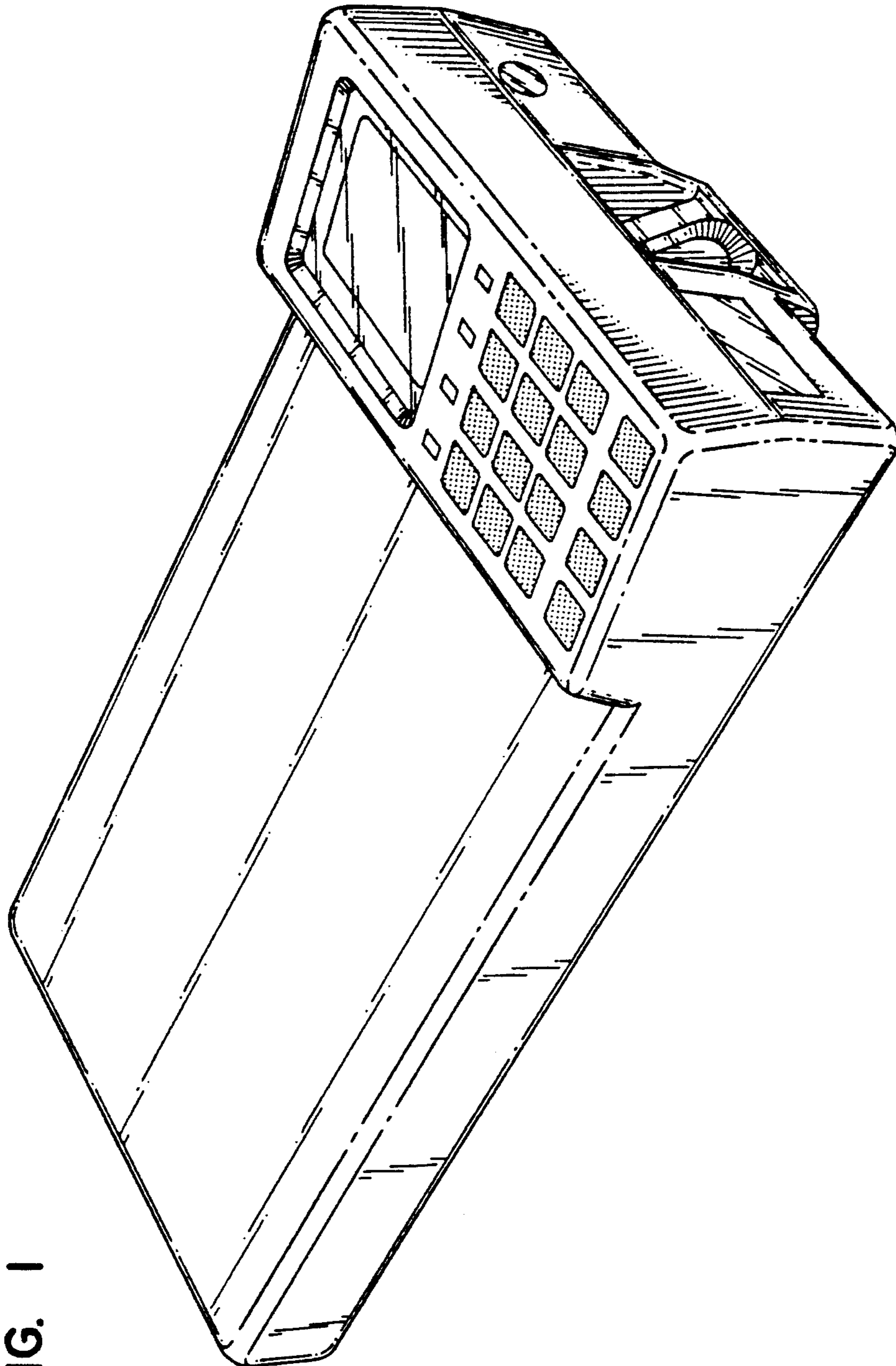


FIG. 1

FIG. 2

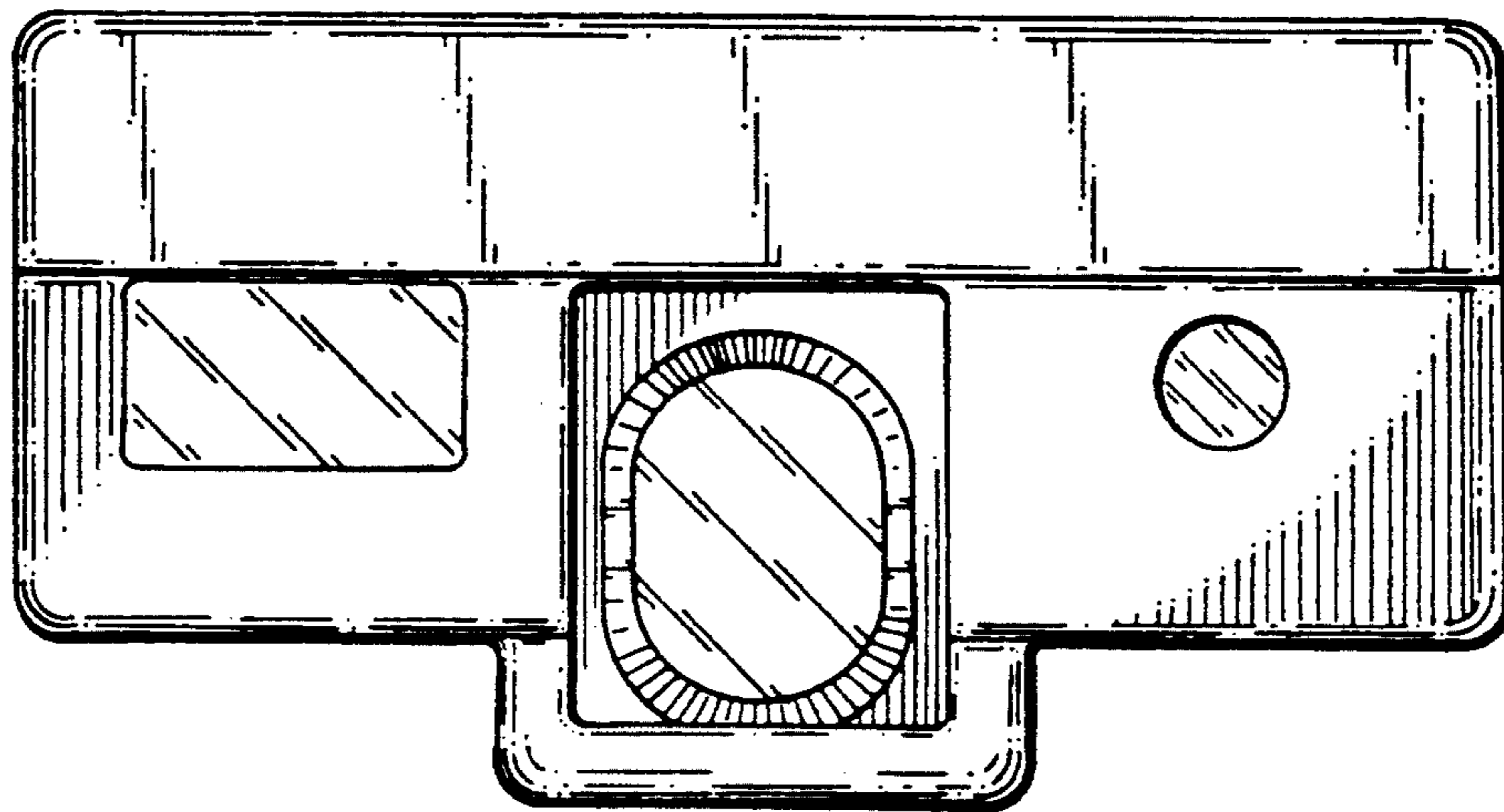


FIG. 3

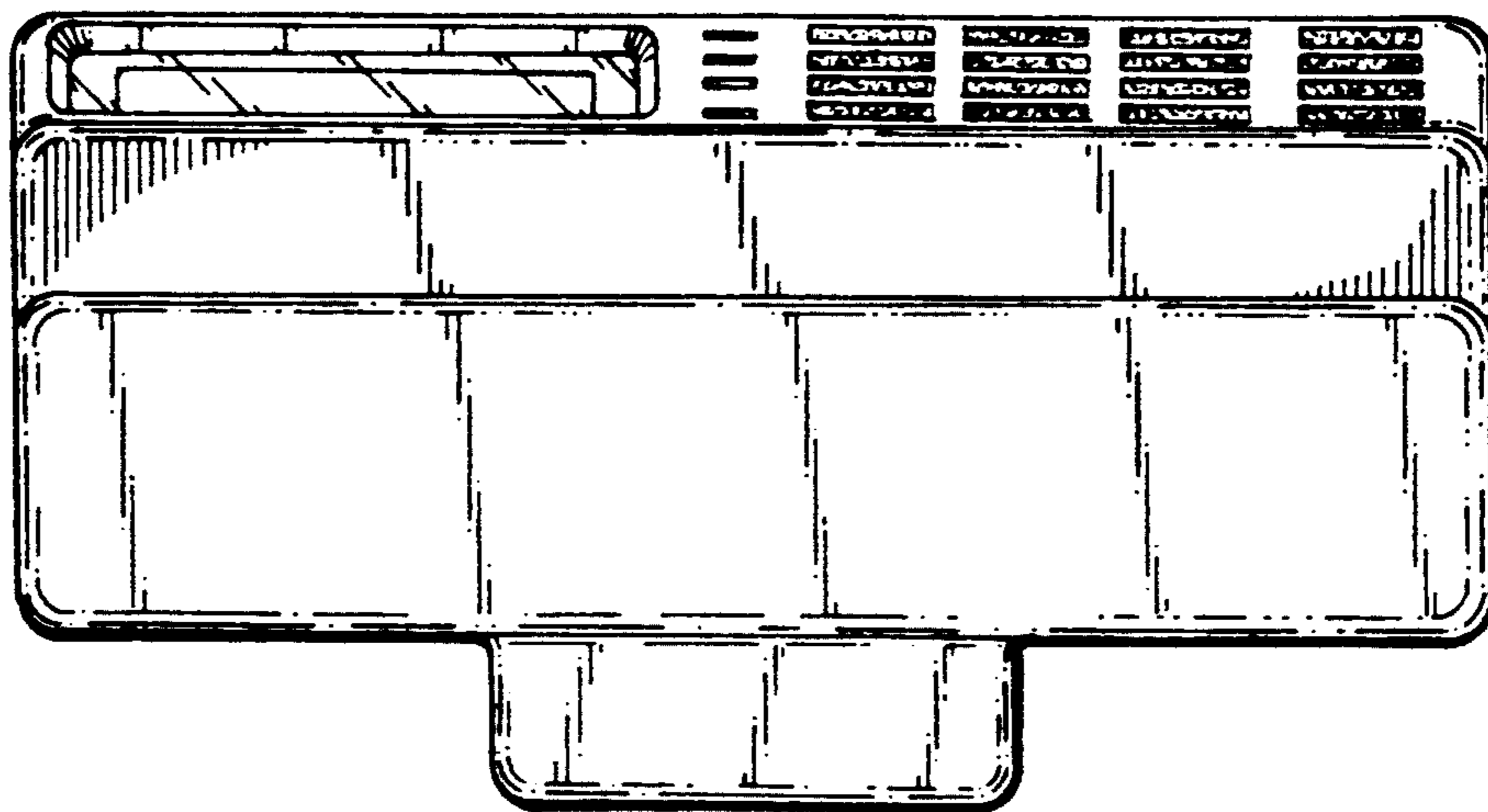


FIG. 4

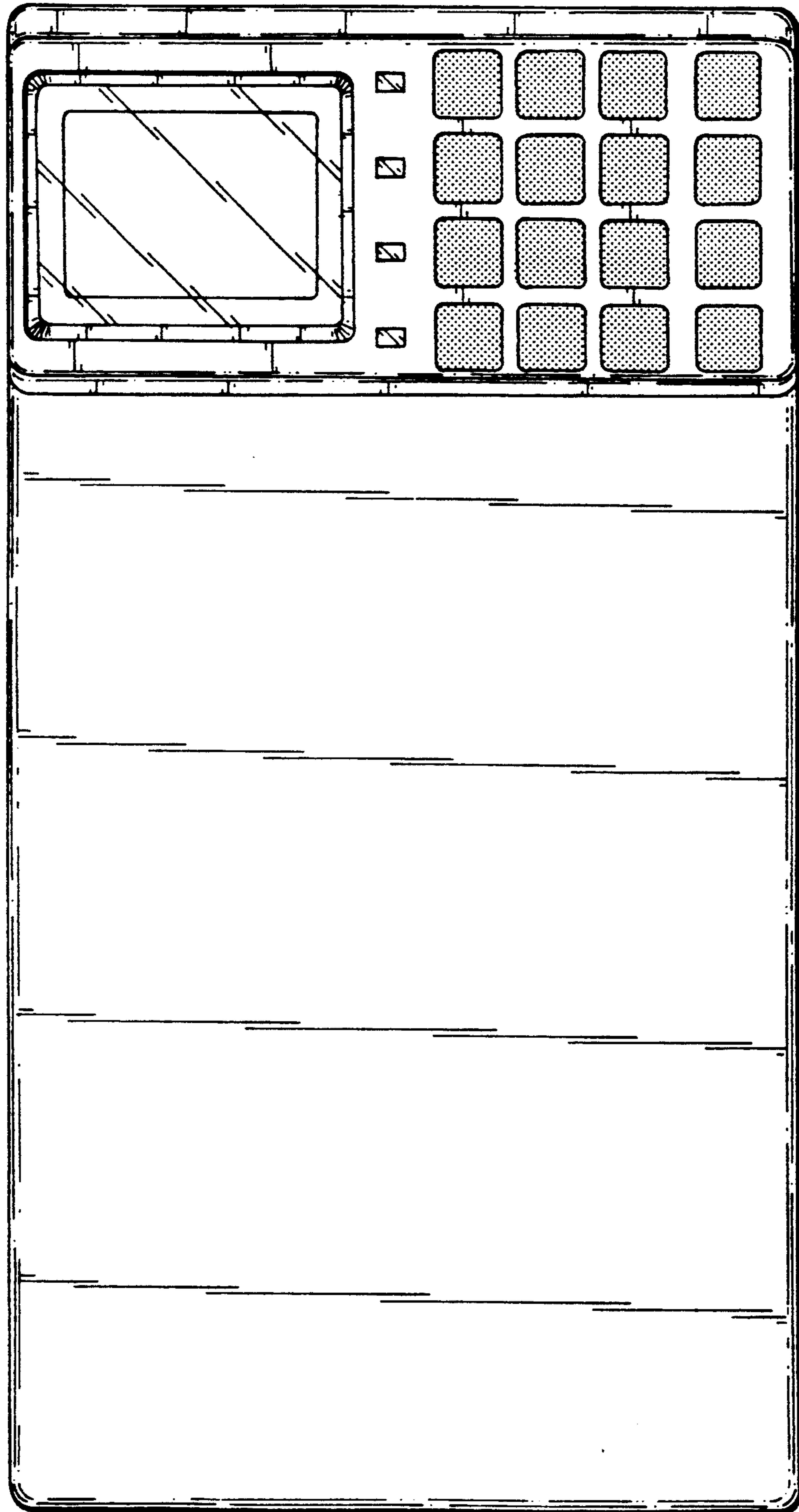
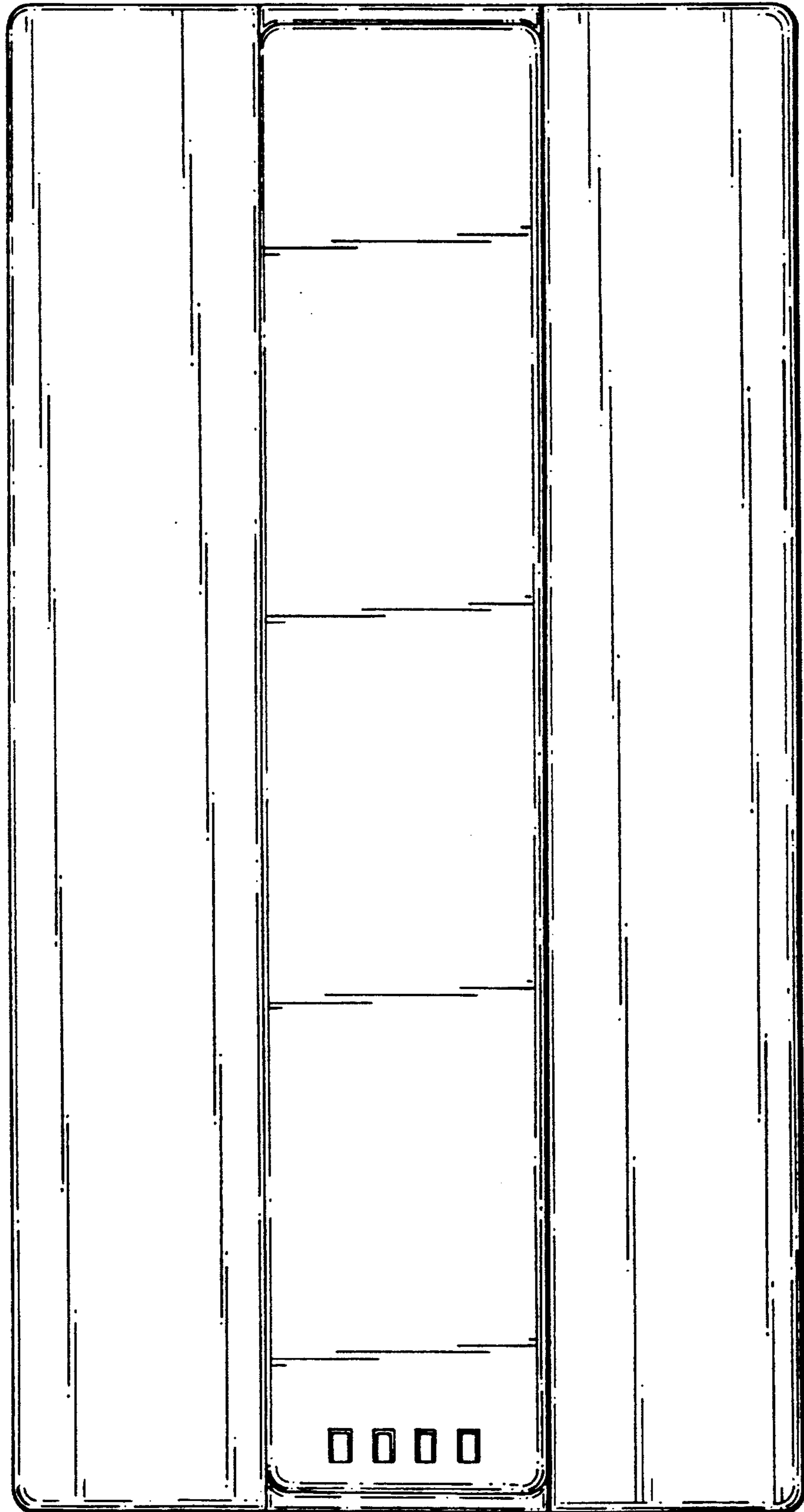


FIG. 5



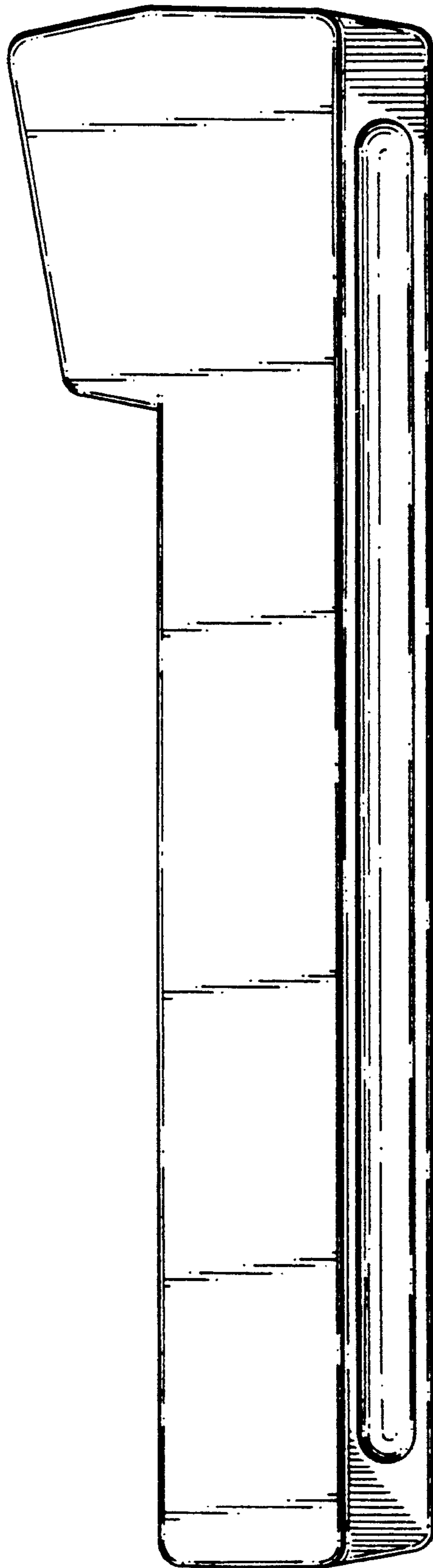


FIG. 6

UNITED STATES PATENT AND TRADEMARK OFFICE  
CERTIFICATE OF CORRECTION

PATENT NO. : Des. 348,445  
DATED : July 5, 1994  
INVENTOR(S) : Fishbine et al.

It is certified that error appears in the above-identified patent and that said Letters Patent is hereby corrected as shown below:

**ON THE TITLE PAGE:**

At [57] CLAIM, lines 2 and 3, please delete "a hand held fingerprint scanner for imaging and capturing a photographic image", please insert --A HAND HELD FINGERPRINT SCANNER FOR IMAGING AND CAPTURING A PHOTOGRAPHIC IMAGE--.

At DESCRIPTION, lines 2 and 3, please delete "a hand held fingerprint scanner for imaging and capturing a photographic image", please insert --A HAND HELD FINGERPRINT SCANNER FOR IMAGING AND CAPTURING A PHOTOGRAPHIC IMAGE--.

Signed and Sealed this  
Twenty-fifth Day of July, 1995

Attest:



BRUCE LEHMAN

Attesting Officer

Commissioner of Patents and Trademarks