



US00D348443S

United States Patent [19]

[11] Patent Number: **Des. 348,443**

Sapper et al.

[45] Date of Patent: **** Jul. 5, 1994**

[54] **PERSONAL COMPUTER**

D. 334,182 3/1993 Mizusugi et al. D14/106
D. 336,638 6/1993 Shibuya et al. D14/106

[75] Inventors: **Richard F. Sapper**, Montagnola, Switzerland; **Hisashi Shima**, Fujisa; **Kazuhiko Yamazaki**, Hiratuka, both of Japan

Primary Examiner—Wallace R. Burke
Assistant Examiner—Freda S. Nunn
Attorney, Agent, or Firm—Martin J. McKinley

[73] Assignee: **International Business Machines Corp.**, Armonk, N.Y.

[57] **CLAIM**

[**] Term: **14 Years**

The ornamental design for the personal computer, as shown and described.

[21] Appl. No.: **866,608**

DESCRIPTION

[22] Filed: **Apr. 10, 1992**

[30] **Foreign Application Priority Data**

FIGS. 1 and 2 are front, right side and top perspective views of the personal computer;
FIG. 3 is a front elevation view thereof;
FIGS. 4 and 11 are rear elevation views thereof;
FIG. 5 is a top plan view thereof;
FIGS. 6 and 12 are bottom plan views thereof;
FIGS. 7 and 10 are left side elevation views thereof;
FIG. 8 is a right side elevation view thereof; and,
FIG. 9 is a rear, top and left side perspective view thereof.

Oct. 16, 1991 [JP] Japan 31037/91

[52] U.S. Cl. **D14/106**

[58] Field of Search 235/145 A, 145 R;
340/700, 706; 341/22, 23; 361/390, 394;
364/708, 709.04; D14/100, 101, 106, 113, 115;
D18/1, 7, 11, 12

[56] **References Cited**

U.S. PATENT DOCUMENTS

D. 308,051 5/1990 Sakai D14/106

In FIGS. 1 and 9-12 the personal computer is shown with the cover in the closed position, while in FIGS. 2-8 the computer is shown with the cover in the opened position.

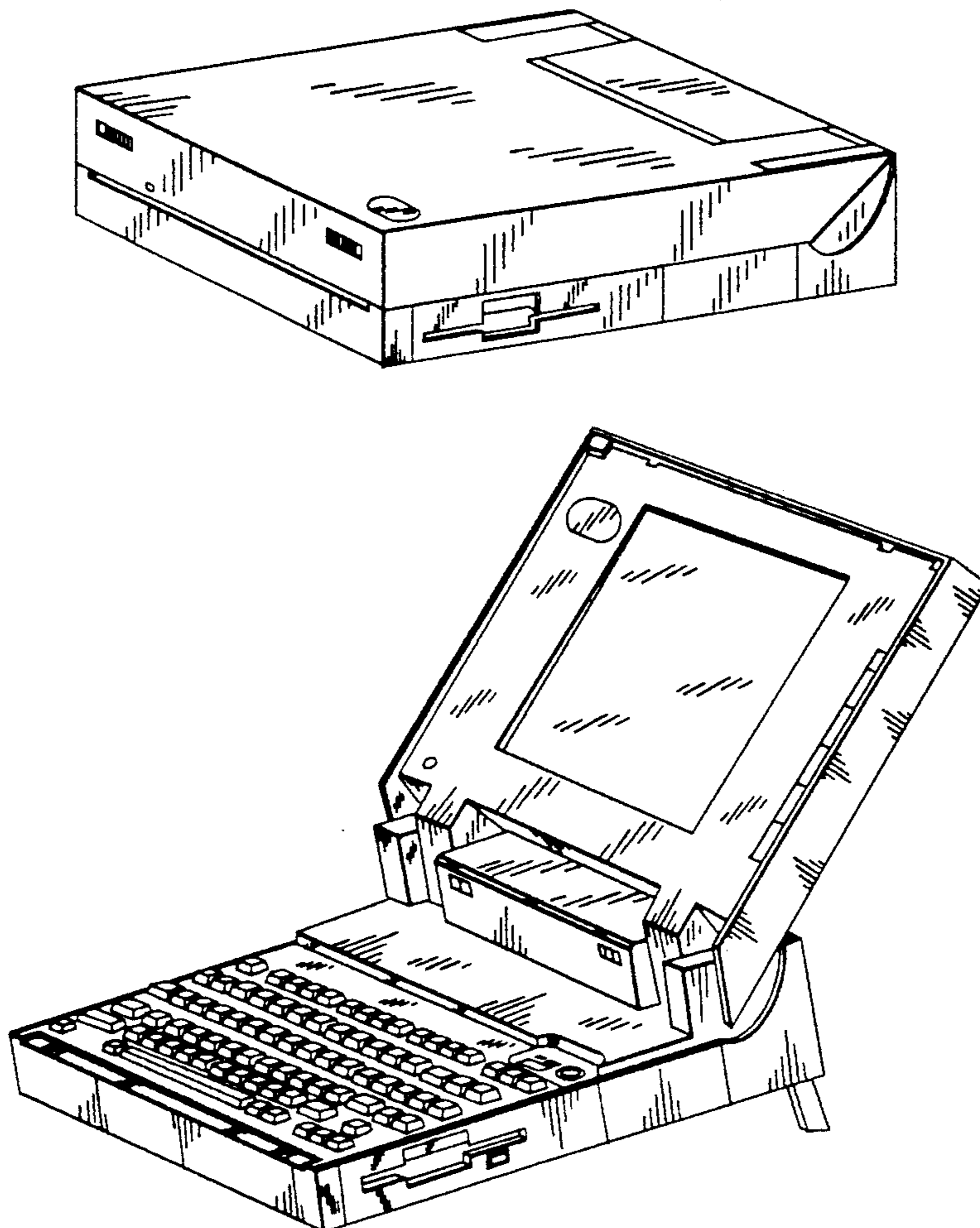


FIG. 1

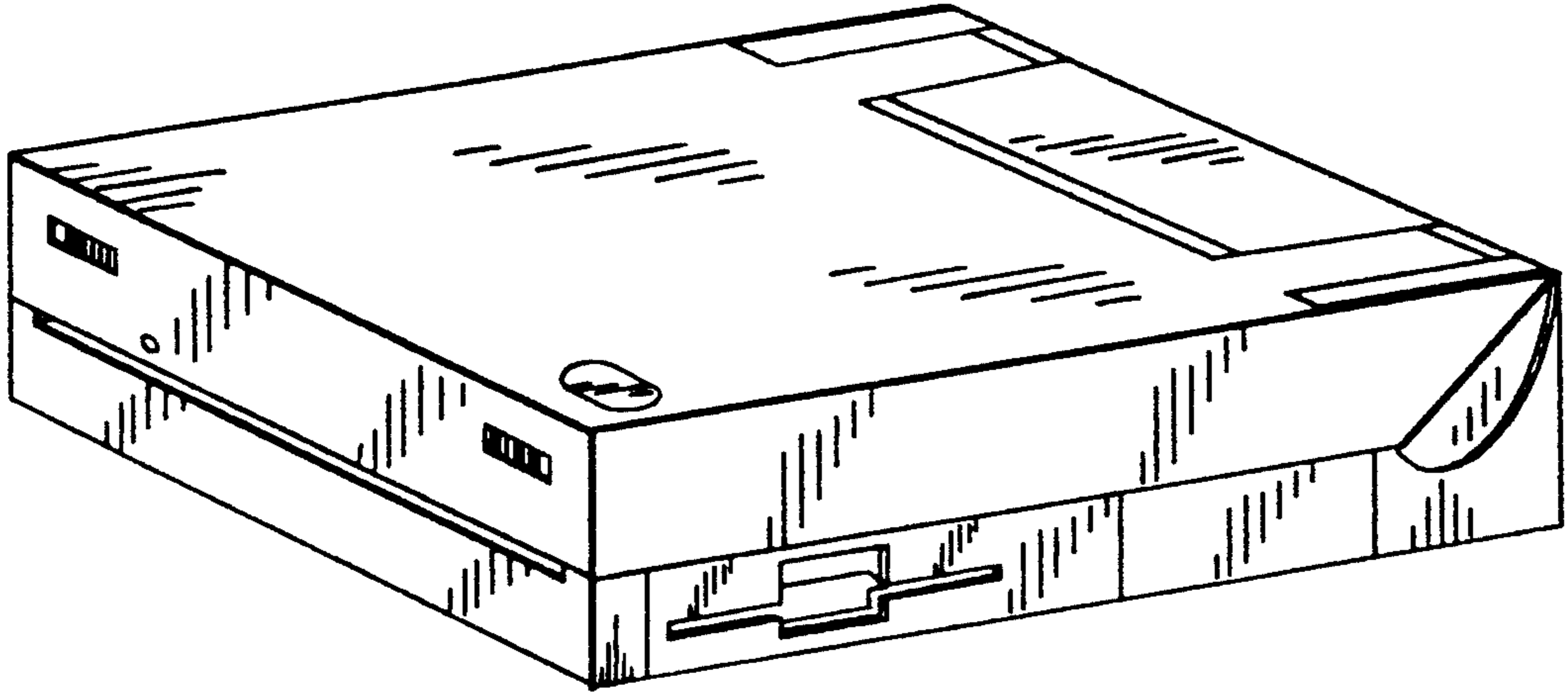


FIG. 9

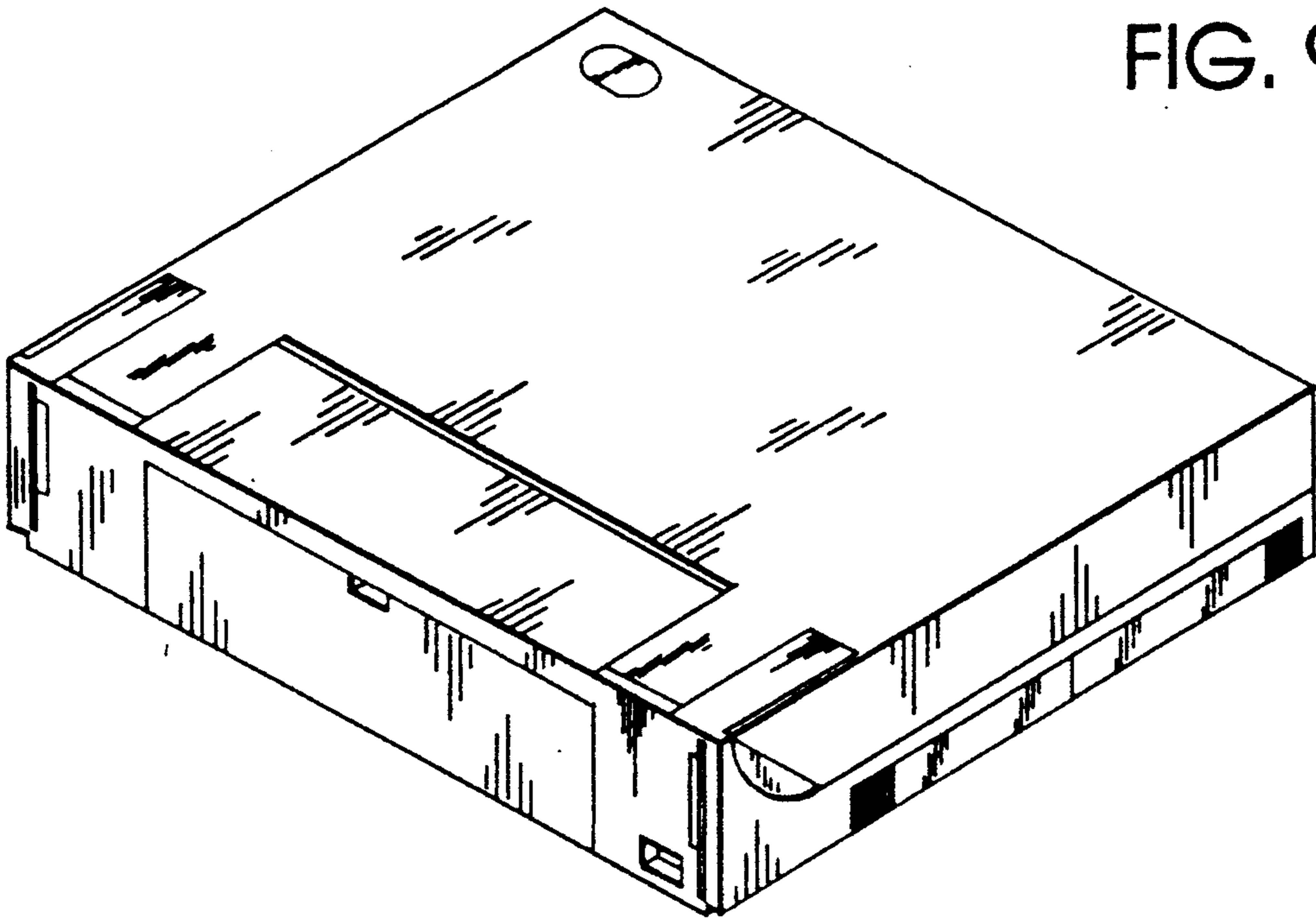


FIG. 2

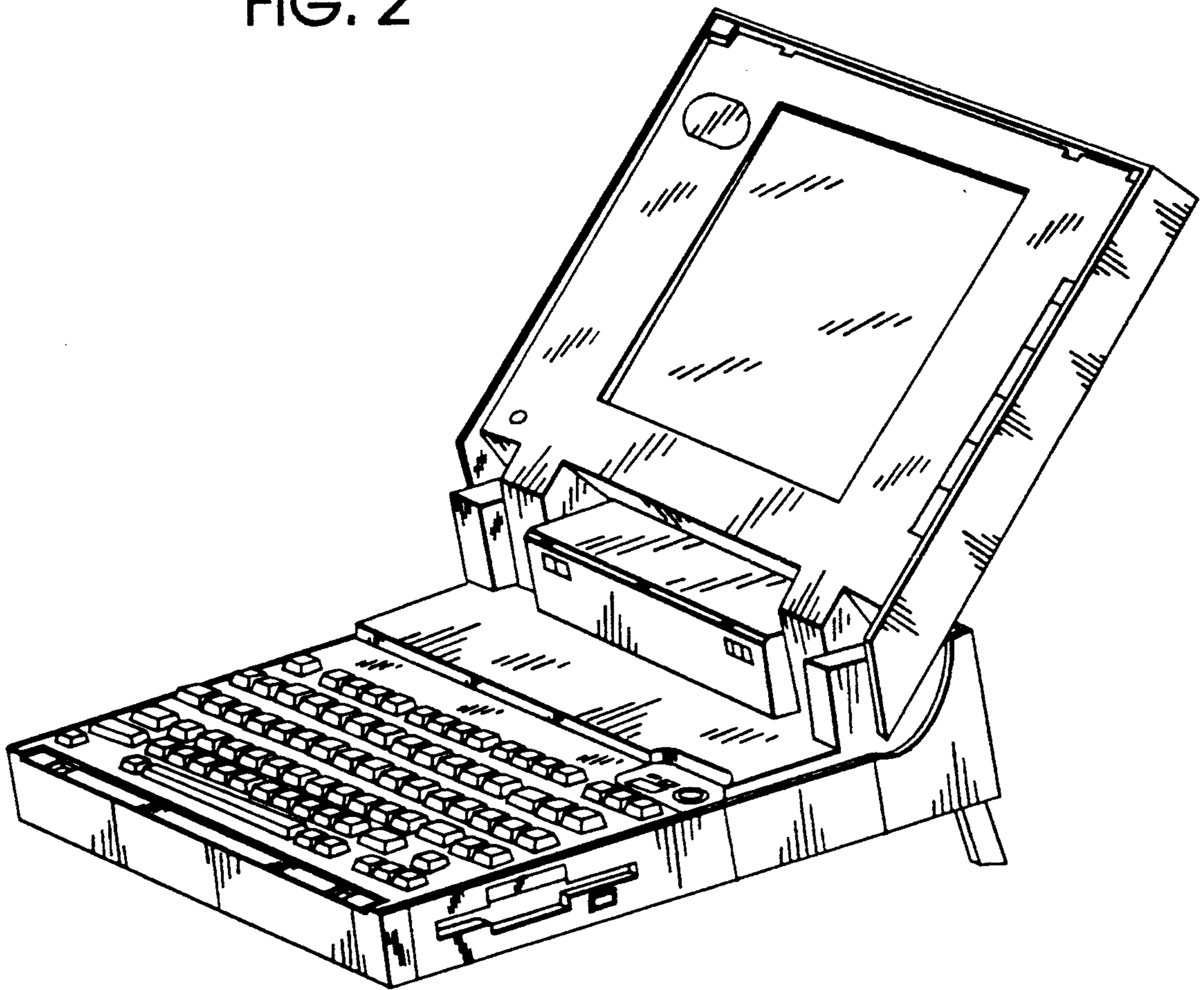


FIG. 3

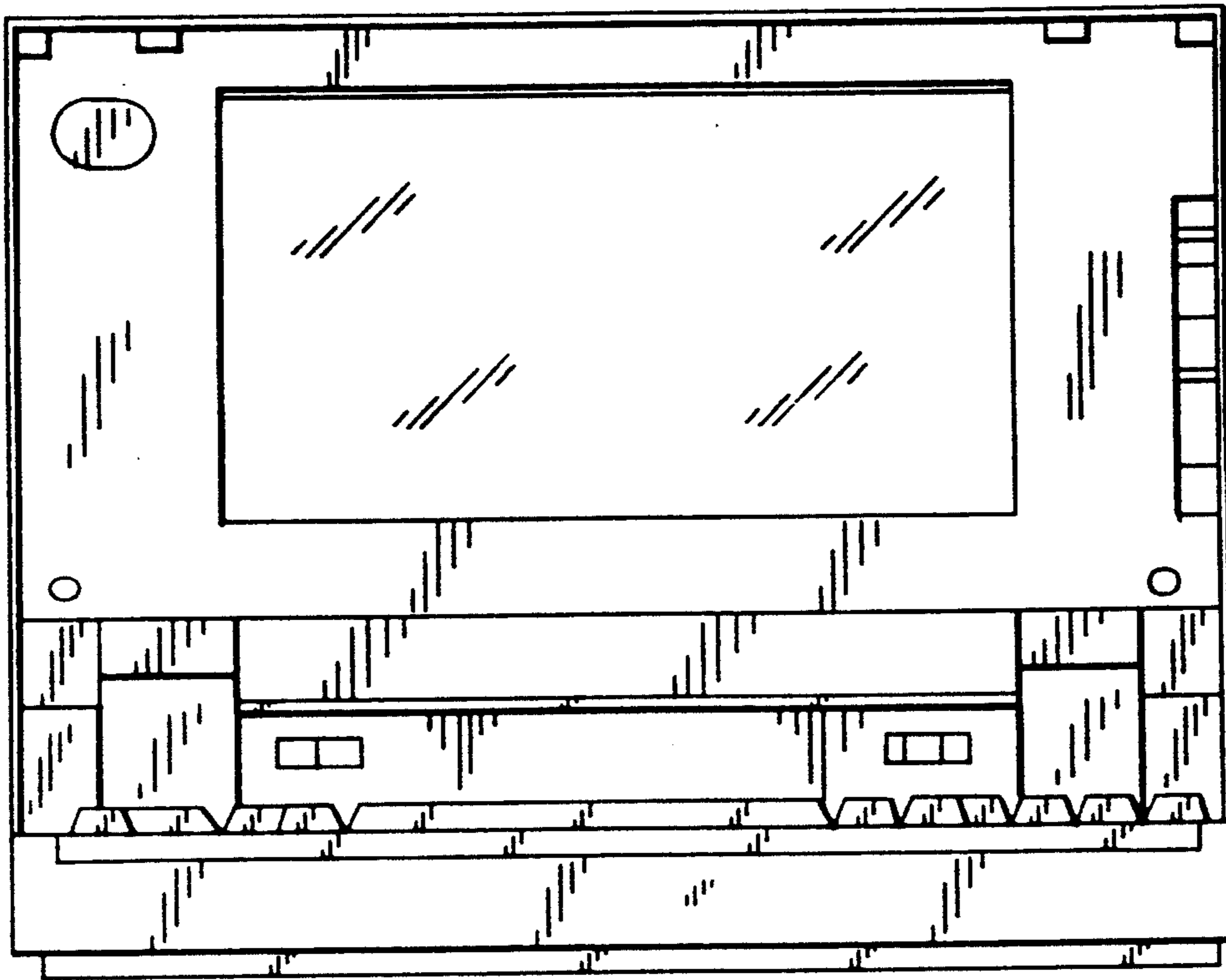


FIG. 4

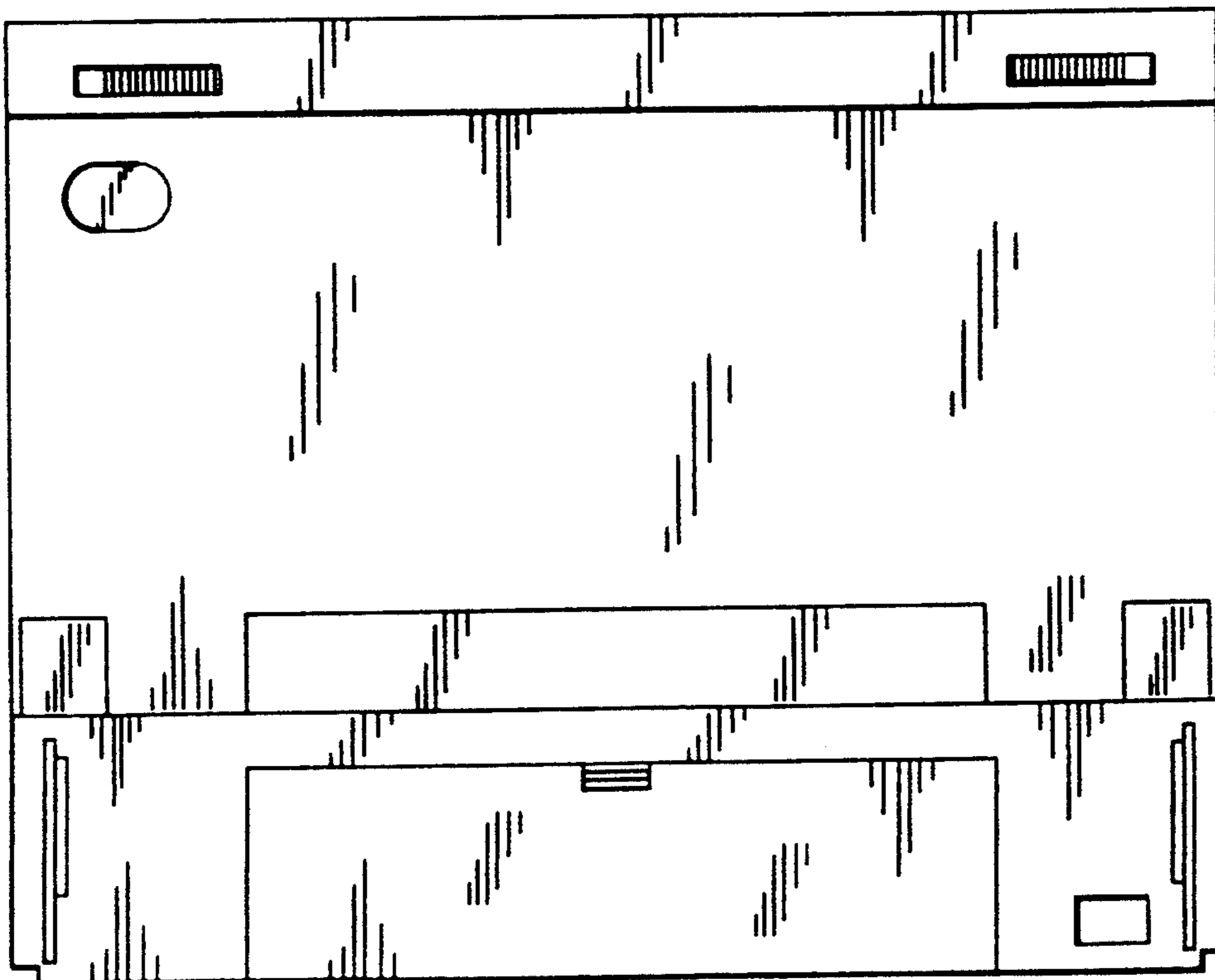


FIG. 5

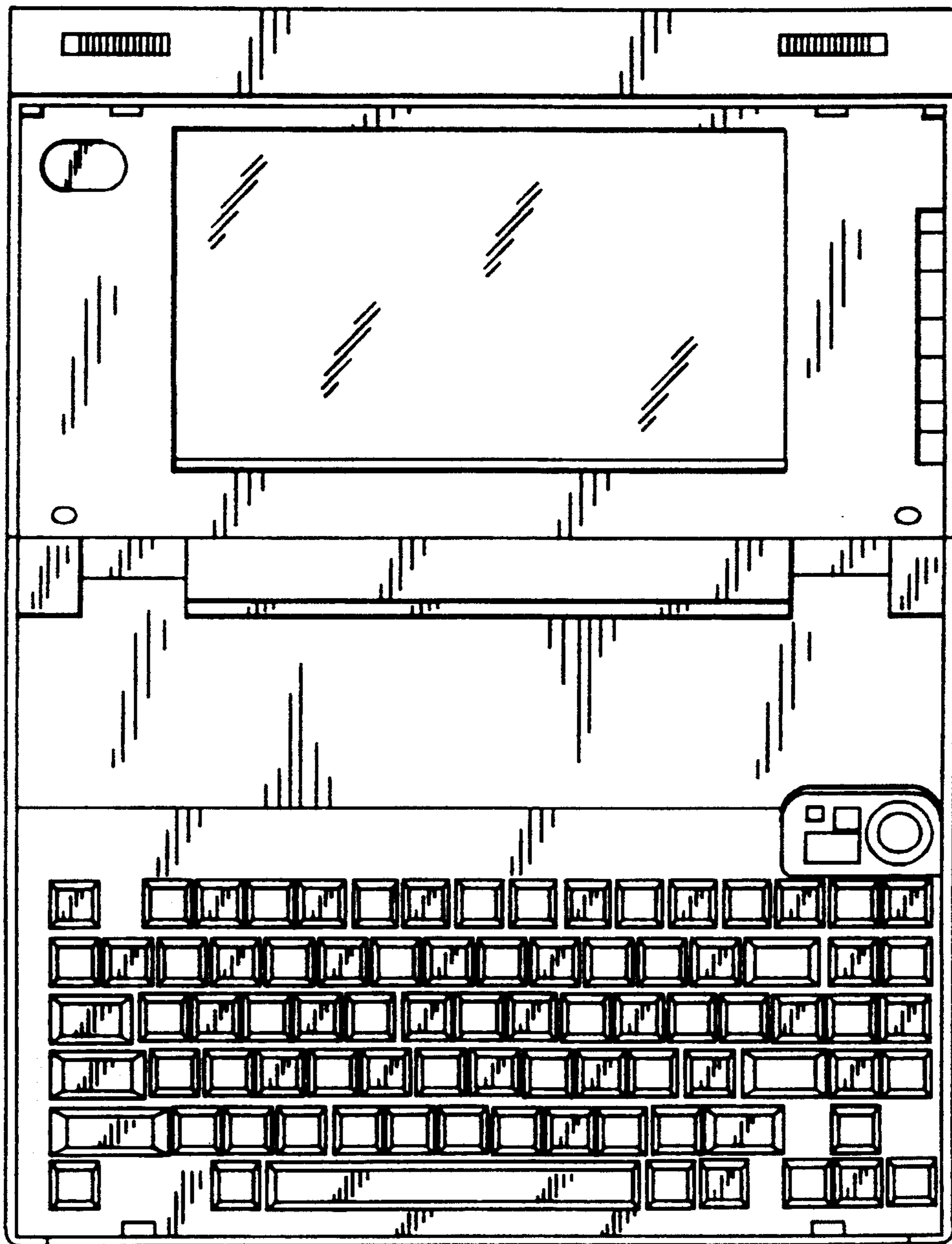


FIG. 6

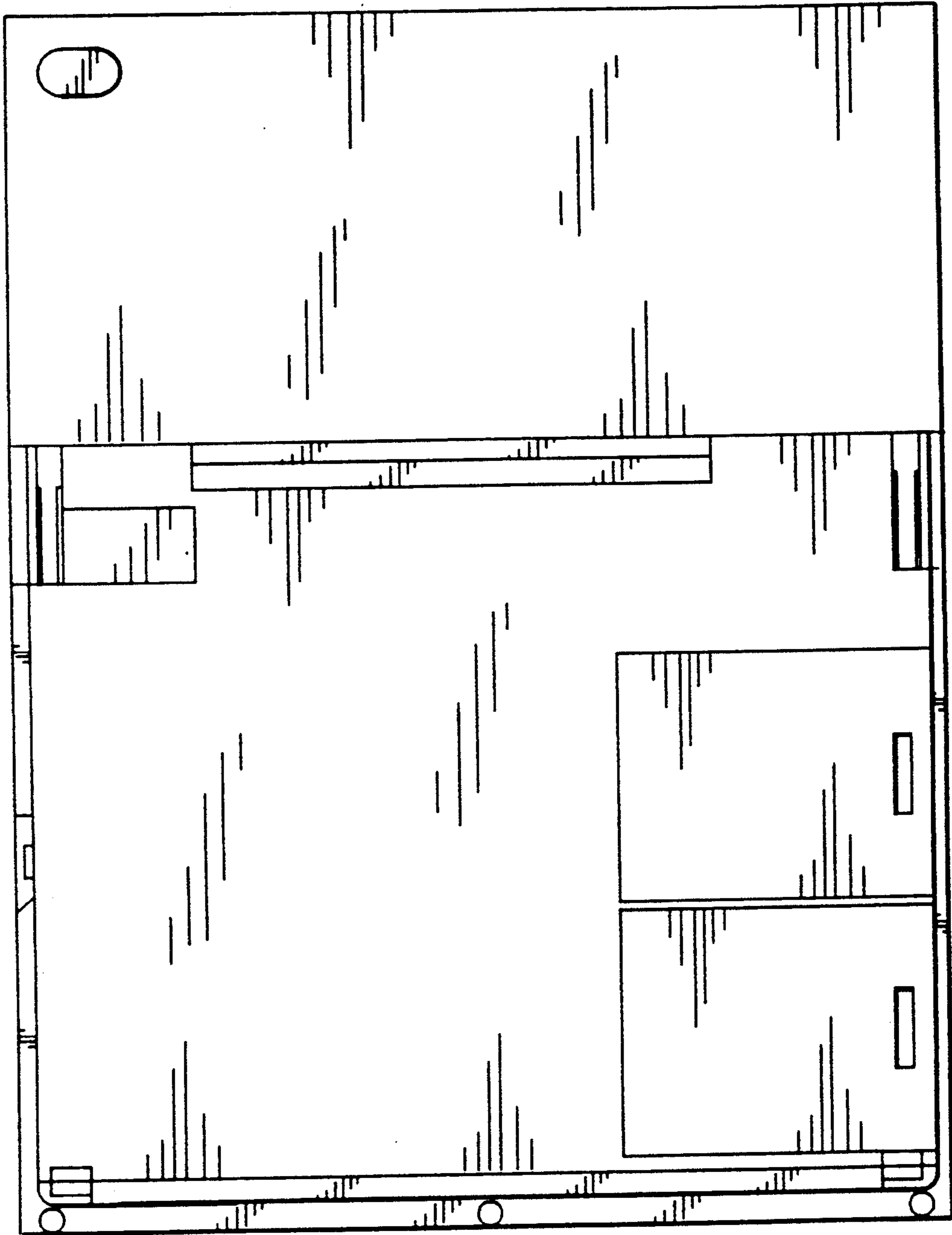


FIG. 7

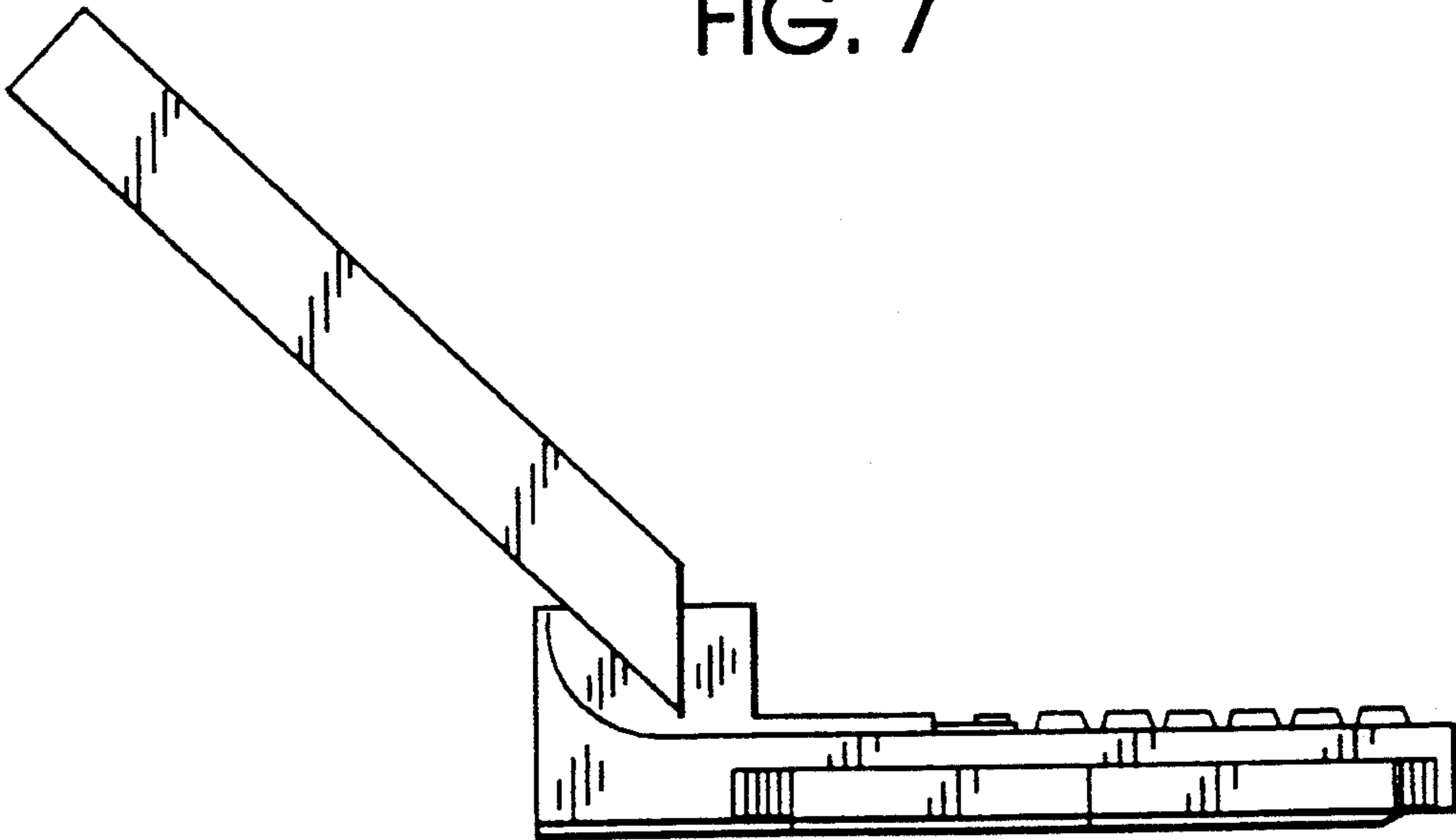


FIG. 8

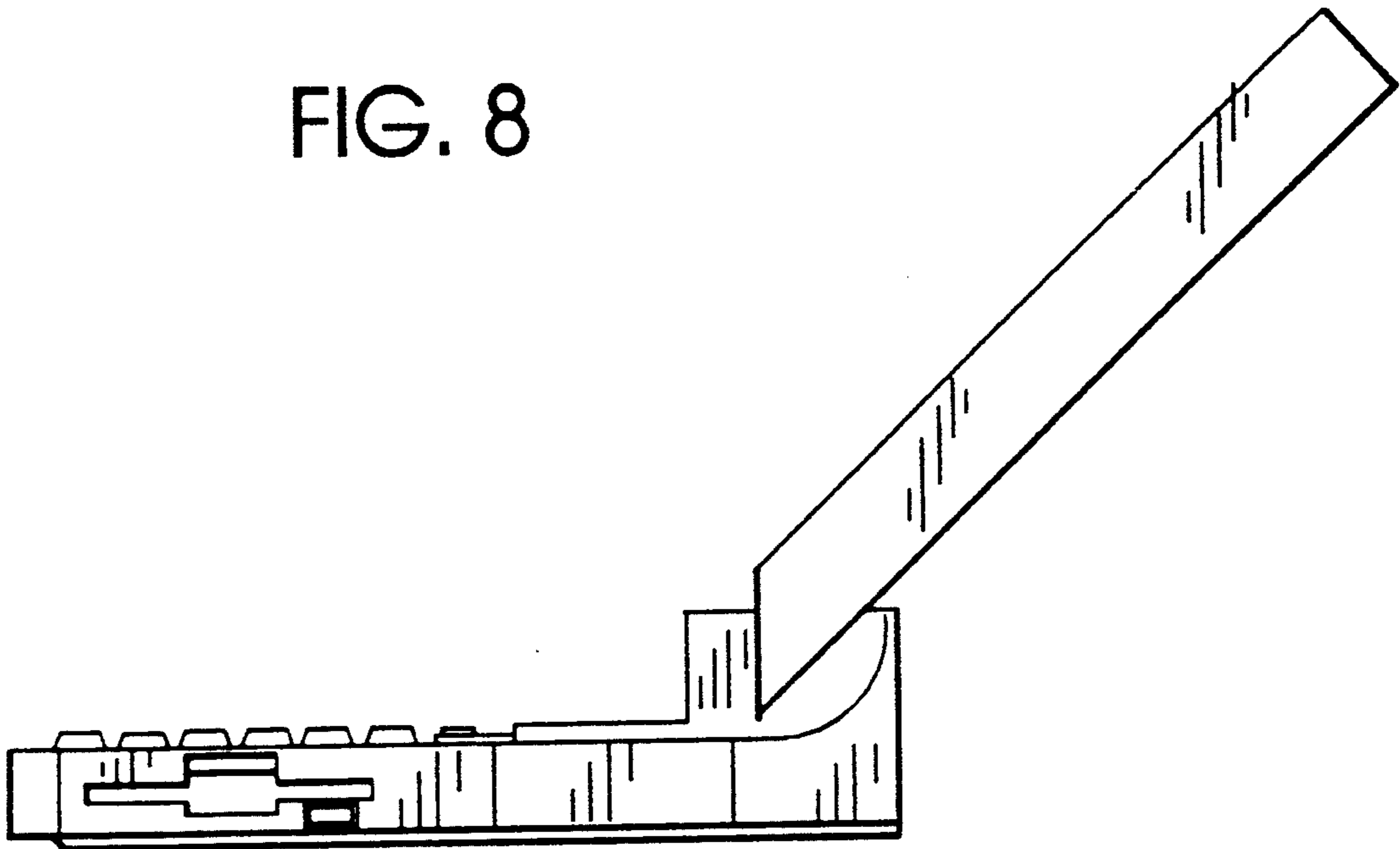


FIG. 10

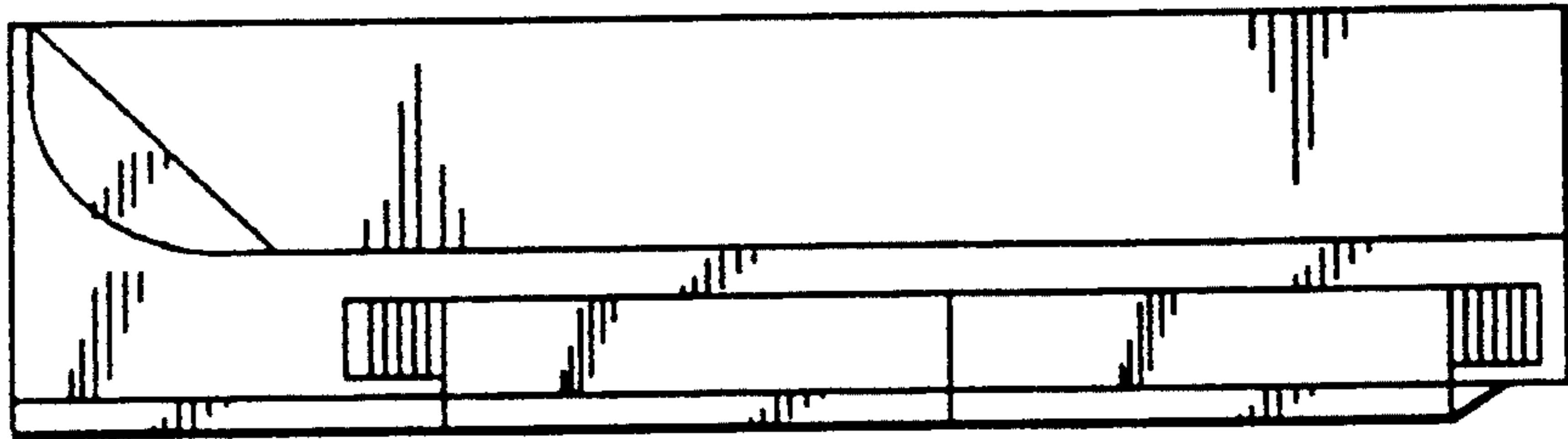


FIG. 11

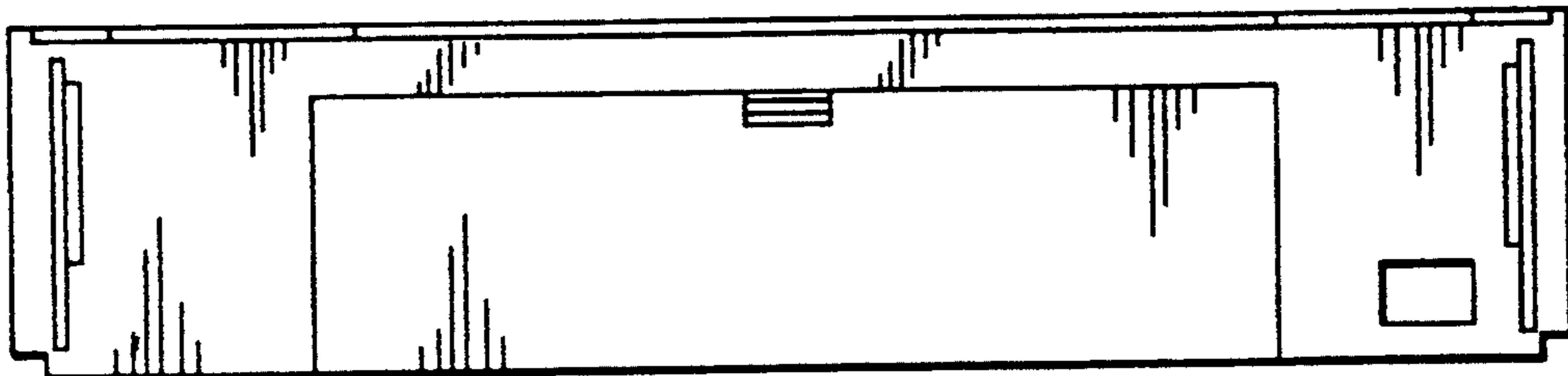


FIG. 12

