



US00D348442S

United States Patent [19] Yoon

[11] Patent Number: **Des. 348,442**
[45] Date of Patent: **** Jul. 5, 1994**

[54] PERSONAL NOTEBOOK COMPUTER

[75] Inventor: **Jungsik Yoon, Suwon-si, Rep. of Korea**

[73] Assignee: **Samsung Electronics Co., Ltd., Kyunggi-Do, Rep. of Korea**

[**] Term: **14 Years**

[21] Appl. No.: **762,240**

[22] Filed: **Sep. 19, 1991**

[52] U.S. Cl. **D14/106**

[58] Field of Search **235/145 A, 145 R; 340/700, 706; 341/22, 23; 364/708, 709.04; 361/390, 394; D14/100, 101, 106, 113, 115, 124-127; D18/1, 7**

[56] References Cited

U.S. PATENT DOCUMENTS

- D. 312,822 12/1990 Watabe et al. D14/106
- D. 317,442 6/1991 Gintz et al. D14/106
- D. 332,944 2/1993 Kim D14/106
- D. 333,128 2/1993 Peng et al. D14/106

FOREIGN PATENT DOCUMENTS

- 9007488 7/1991 Fed. Rep. of Germany D14/340 106
- 686654 9/1986 Japan D14/of Germany
- 97355 12/1989 Japan D14/ 106

Primary Examiner—Wallace R. Burke
Assistant Examiner—Freda S. Nunn
Attorney, Agent, or Firm—Clifford A. Poff

[57] CLAIM

The ornamental design for personal notebook computer, as shown and described.

DESCRIPTION

FIG. 1 is a front elevational view of a personal notebook computer showing my new design;
 FIG. 2 is a back elevational view of the design of FIG. 1;
 FIG. 3 is a top plan view of the design of FIG. 1;
 FIG. 4 is a bottom plan view of the design of FIG. 1;
 FIG. 5 is a left side elevational view of the design of FIG. 1;
 FIG. 6 is a right side elevational view of the design of FIG. 1;
 FIG. 7 is a top front and right side perspective view of the design of FIG. 1; and,
 FIG. 8 is a reduced perspective view of the design of FIG. 1 shown in the operative position.

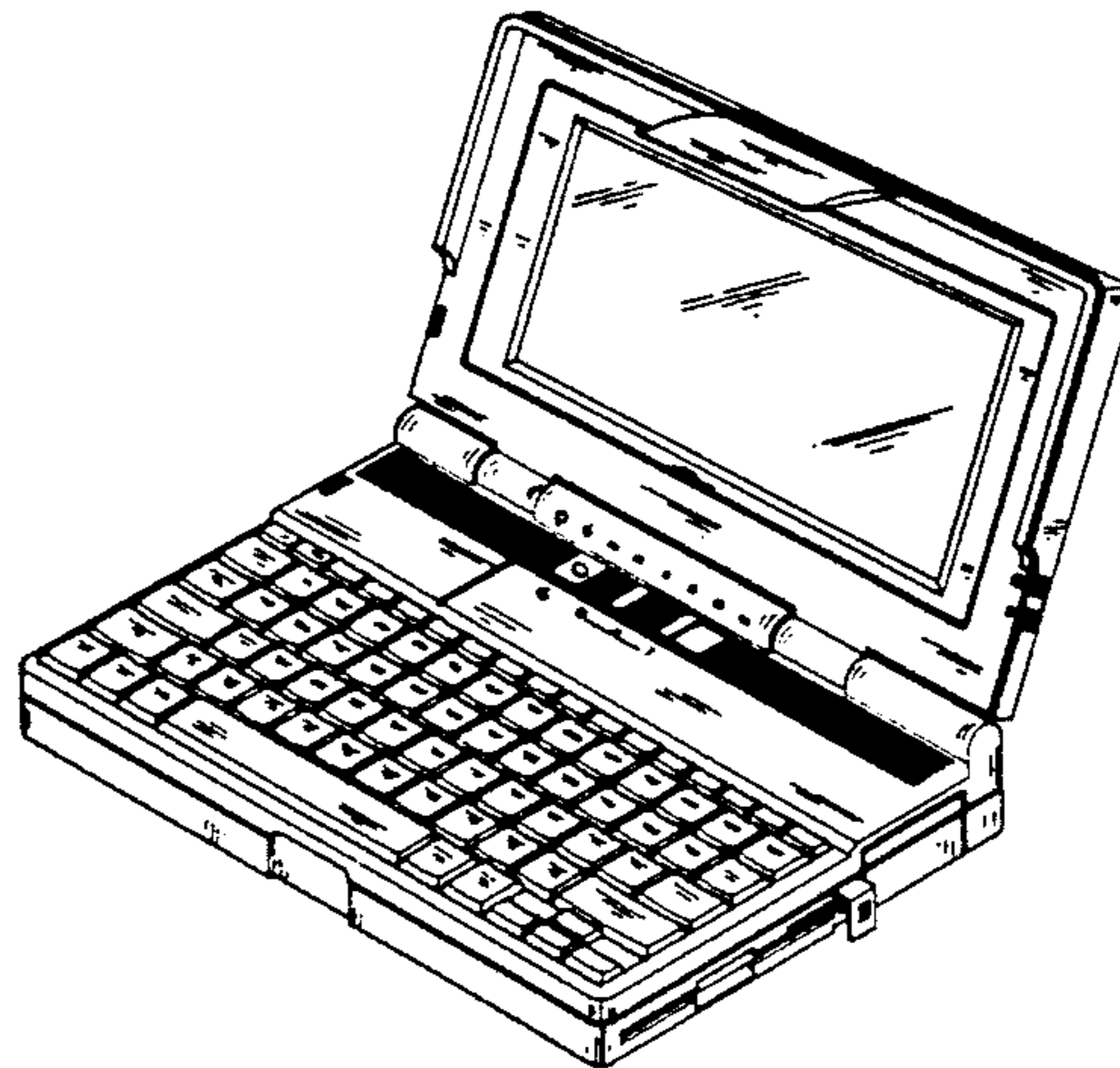
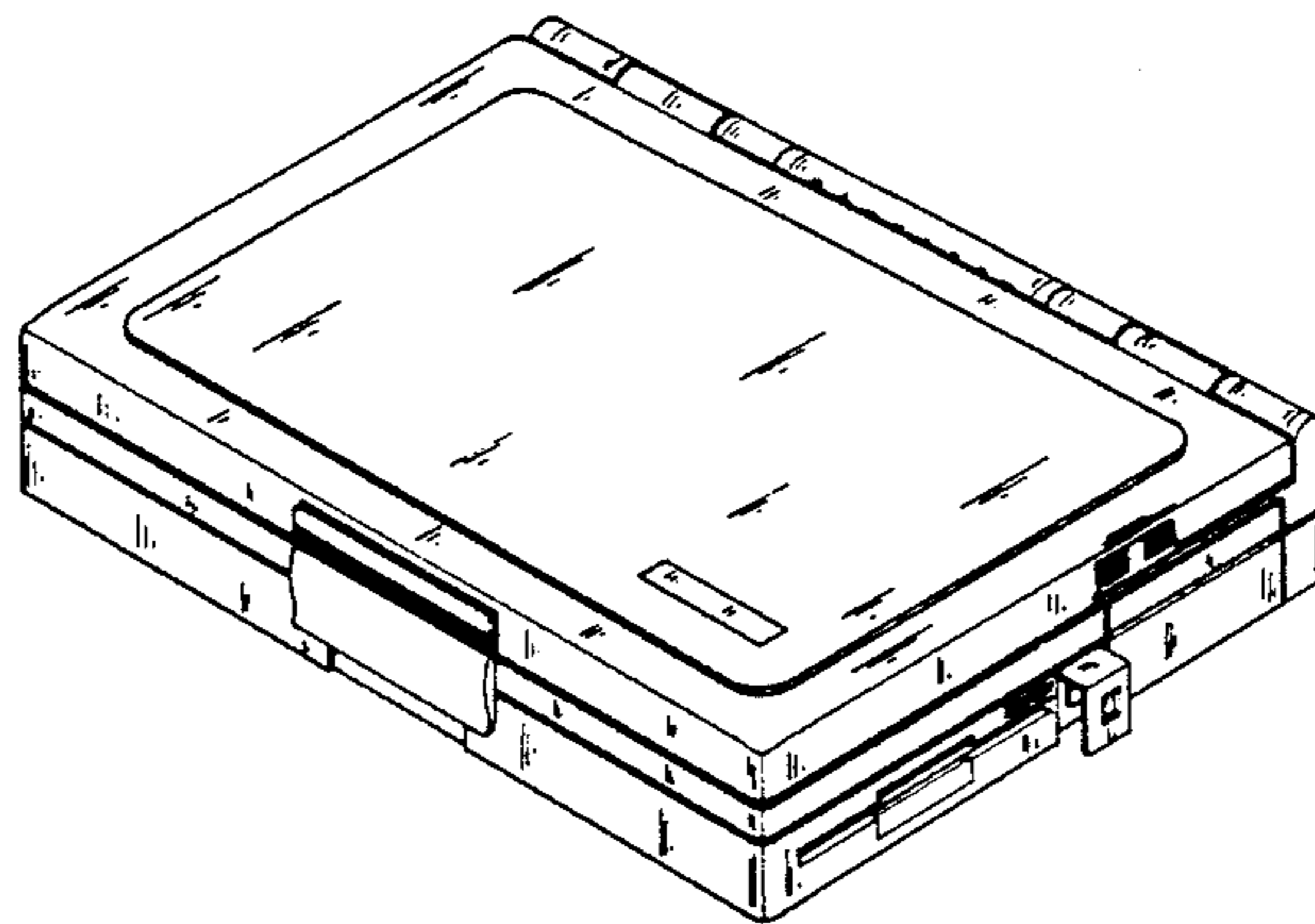


FIG. 1

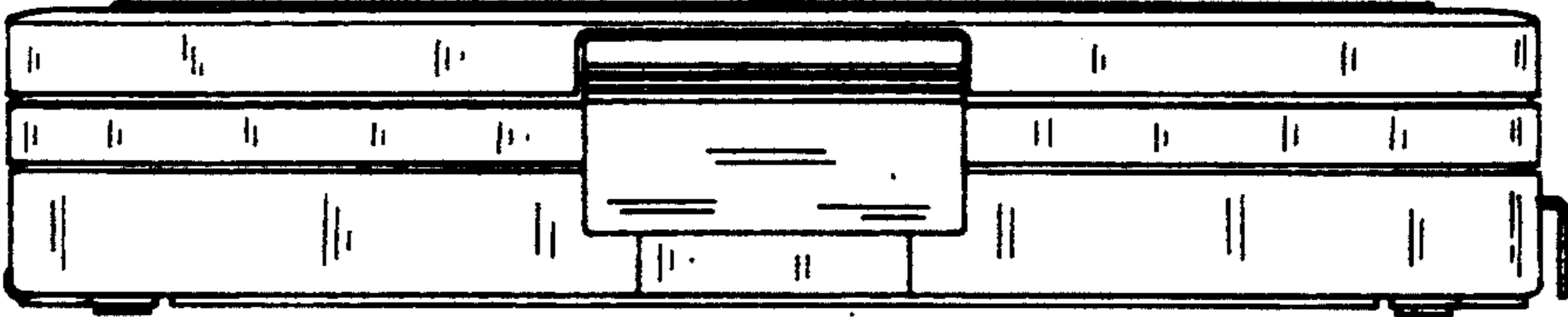


FIG. 2

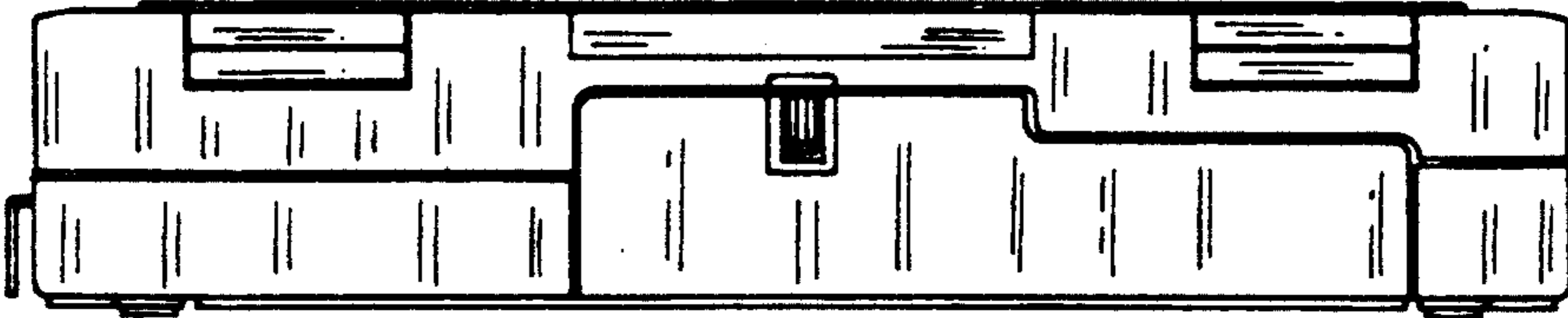


FIG.3

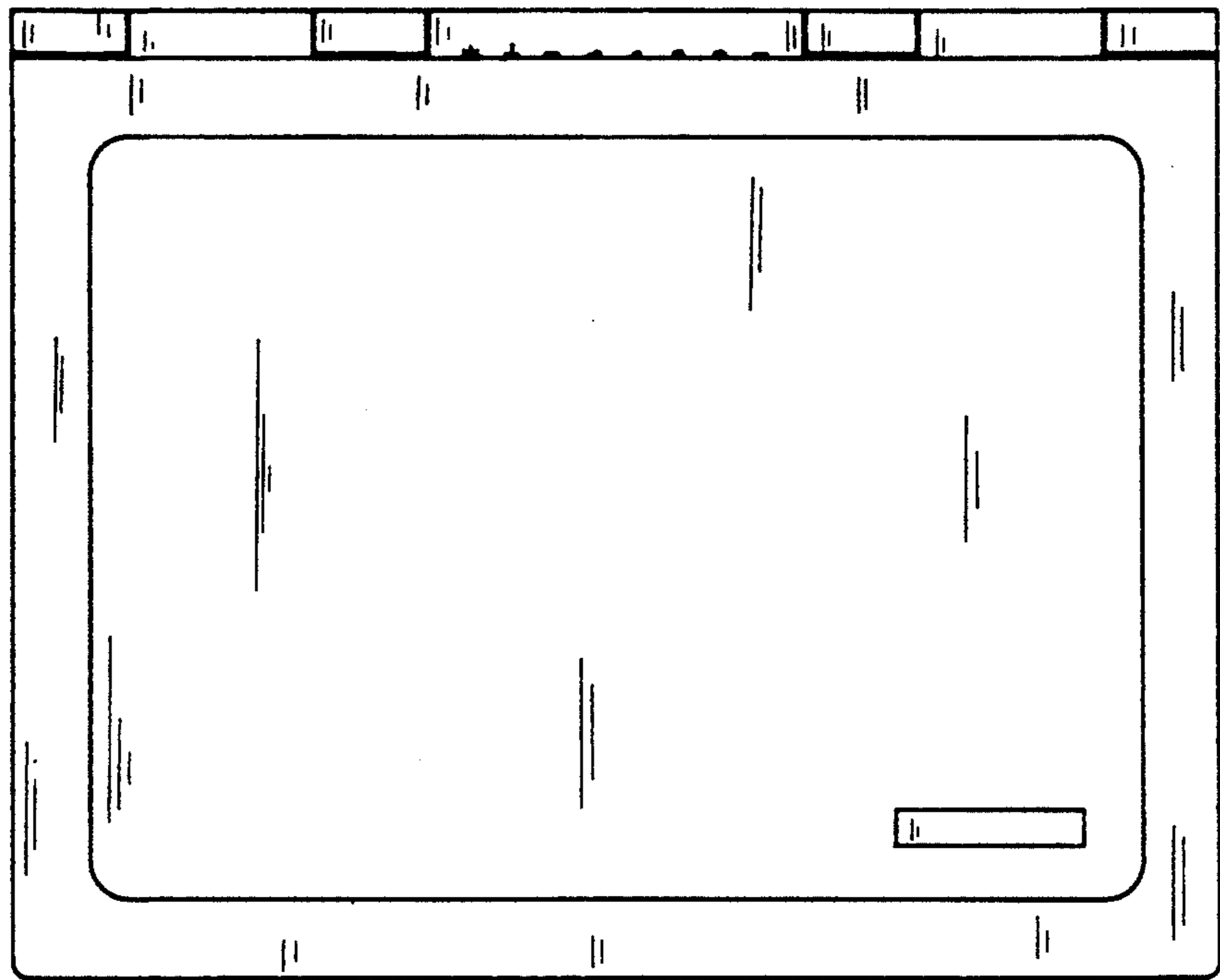


FIG.4

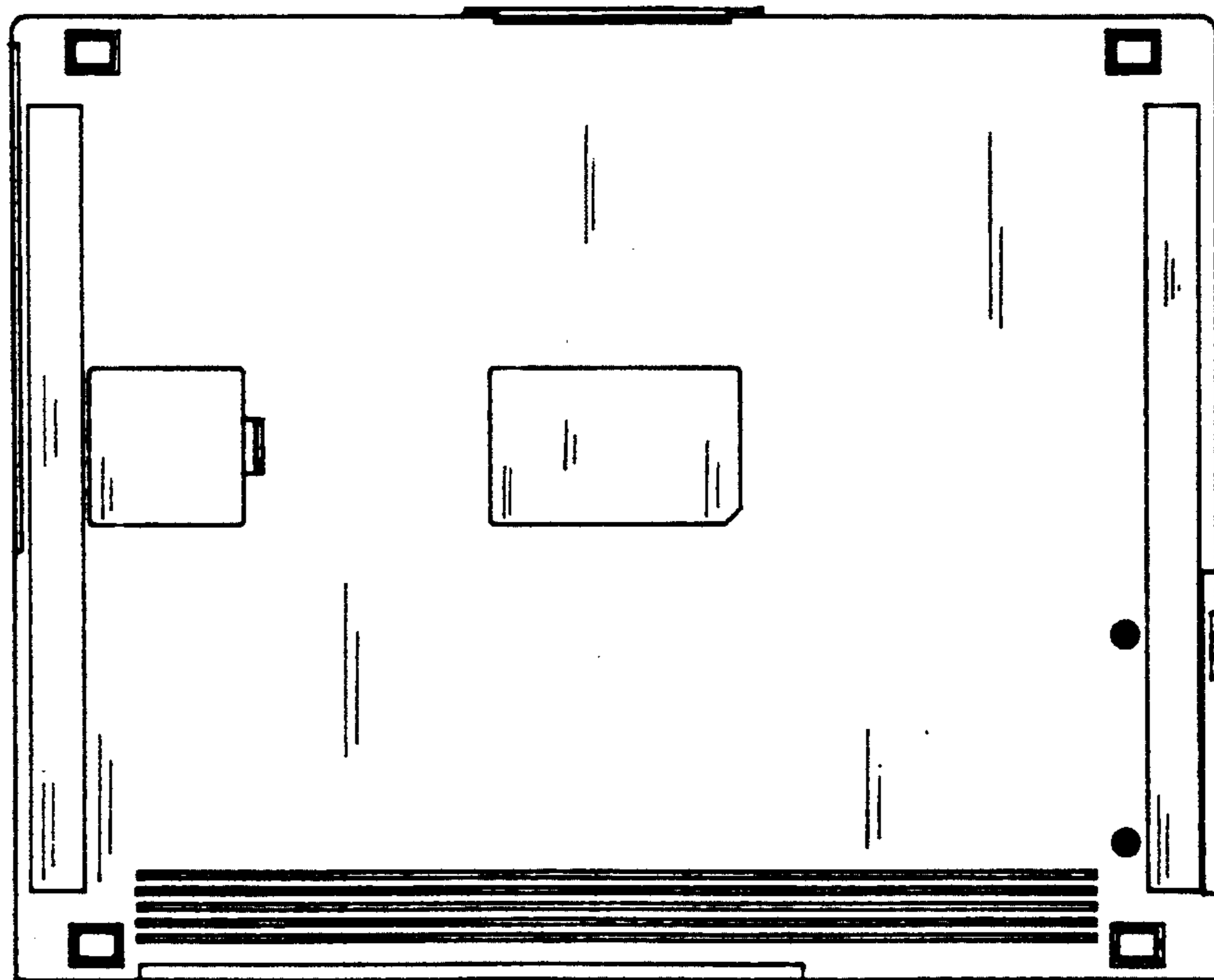


FIG. 5

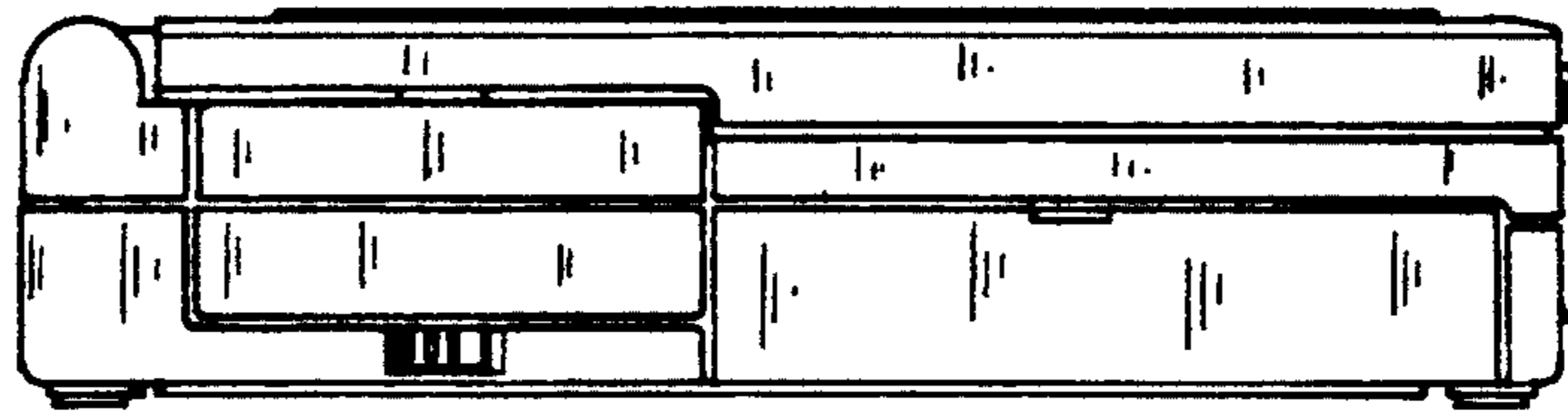


FIG. 6

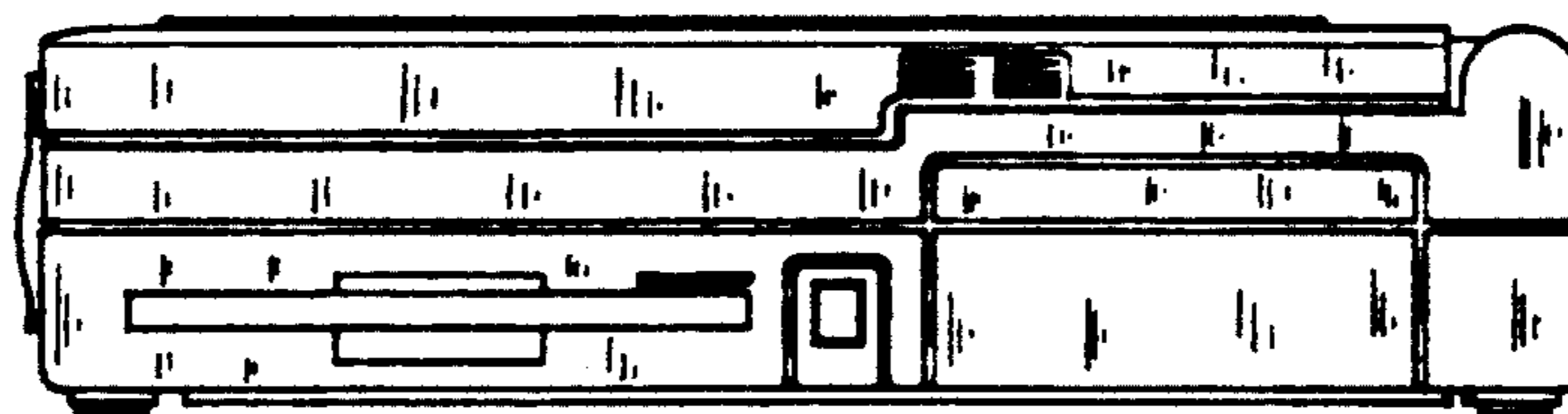


FIG. 7

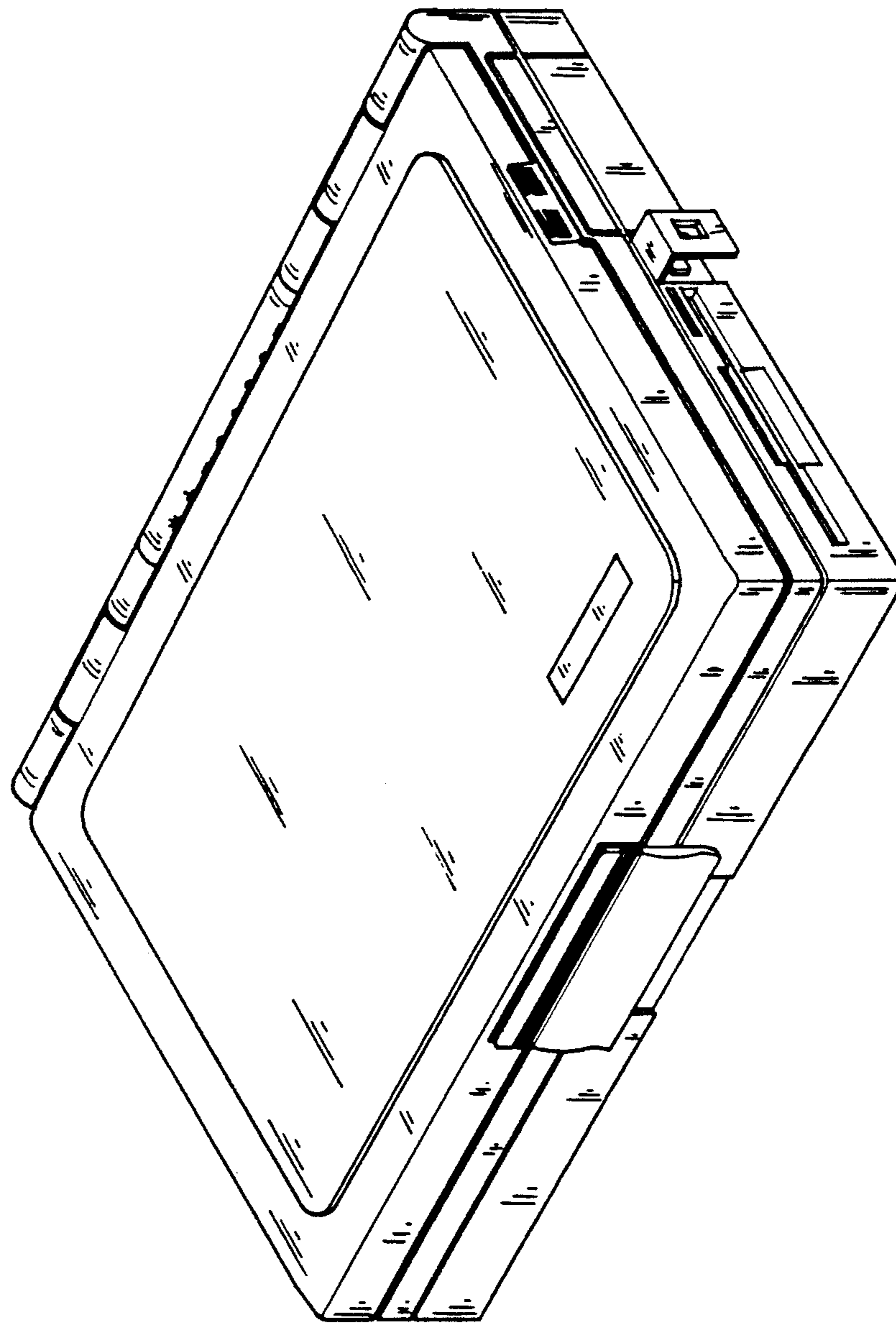


FIG. 8

