



US00D348440S

United States Patent [19]

[11] Patent Number: **Des. 348,440**

Nair et al.

[45] Date of Patent: **** Jul. 5, 1994**

[54] **DATA CARD TRANSACTION TERMINAL**

[75] Inventors: **Parameswaran B. Nair**, Acworth;
Kumar S. Choudhuri, Kennesaw;
John C. Evans, Atlanta; **James L. Hanna**, Athens; **James F. Price**, Alpharetta, all of Ga.

[73] Assignee: **MicroBilt Corporation**, Atlanta, Ga.

[**] Term: **14 Years**

[21] Appl. No.: **3,500**

[22] Filed: **Jan. 8, 1993**

[52] U.S. Cl. **D14/105; D14/146**

[58] Field of Search 235/380, 382, 382.5,
235/379, 431, 462, 472, 483; 382/2, 7, 58, 59;
364/709.05, 709.06; D14/100, 105, 107; D18/5,
7

D. 340,919 11/1993 Lee D14/105
4,587,379 5/1986 Masuda D14/146 X
4,788,420 11/1988 Chang et al. 235/483
5,053,606 10/1991 Kimizu 235/379

OTHER PUBLICATIONS

NCR, "NCR 5980 Signature Capture" Product Brochure, circa 1992.

"NaBANCO" Promotional Brochure: NaBANCO, Ft. Lauderdale, Fla. 33310, circa 1991.

Primary Examiner—Wallace R. Burke

Assistant Examiner—Freda S. Nunn

Attorney, Agent, or Firm—Jones & Askew

[57] **CLAIM**

The ornamental design for a data card transaction terminal, as shown.

DESCRIPTION

FIG. 1 is a perspective view of a data card transaction terminal according to our new design;

FIG. 2 is a front elevational view thereof;

FIG. 3 is a right side view thereof;

FIG. 4 is a left side view thereof;

FIG. 5 is a rear elevational view thereof;

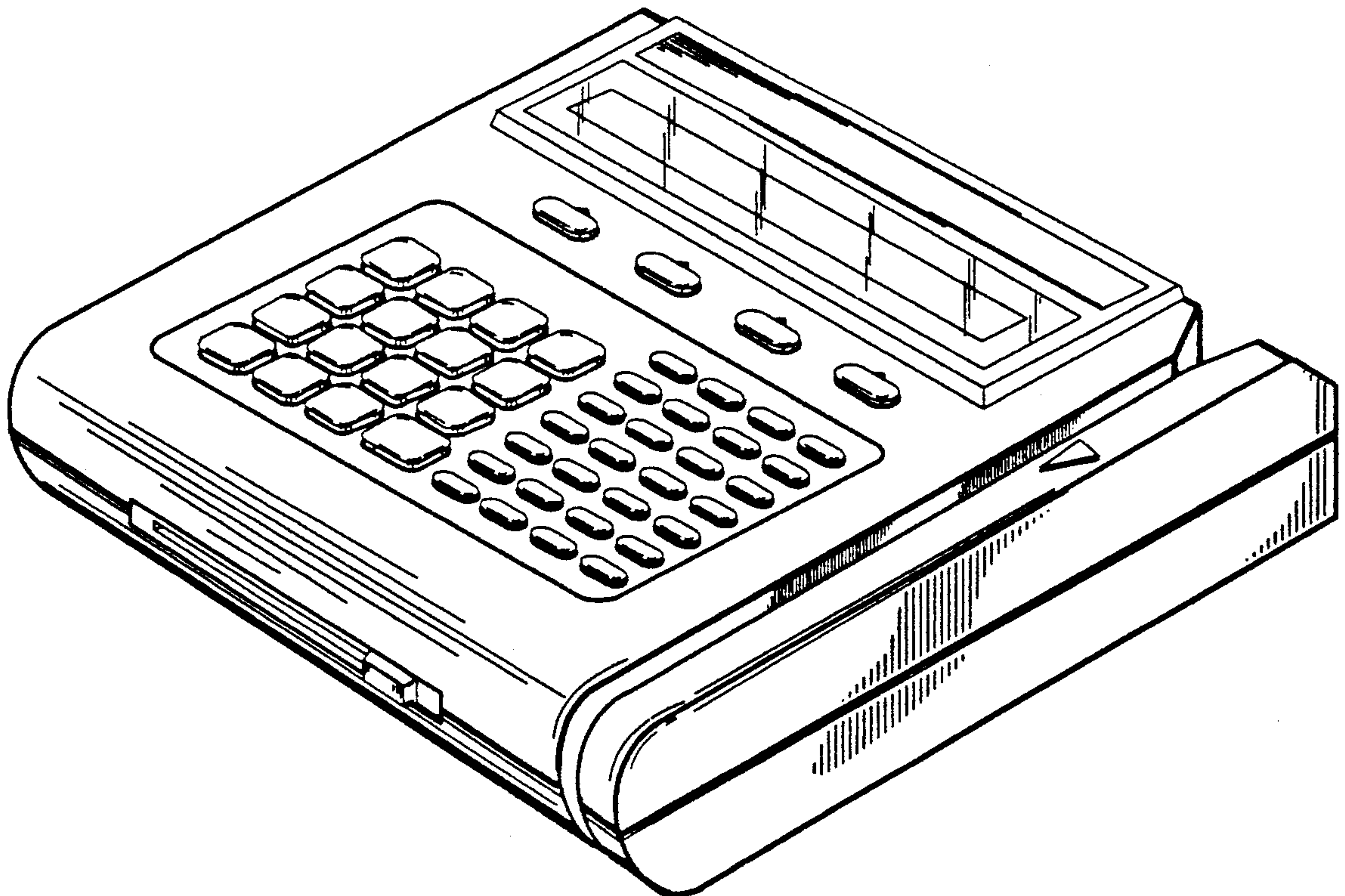
FIG. 6 is a top plan view thereof; and,

FIG. 7 is a bottom plan view thereof.

[56] **References Cited**

U.S. PATENT DOCUMENTS

D. 244,386 5/1977 Schaum et al. .
D. 290,124 6/1987 Wilson et al. D14/105
D. 298,536 11/1988 Brefka D14/105
D. 298,944 12/1988 Stark et al. D14/105
D. 330,722 11/1992 Je D18/4
D. 338,876 8/1993 Nair et al. D14/105



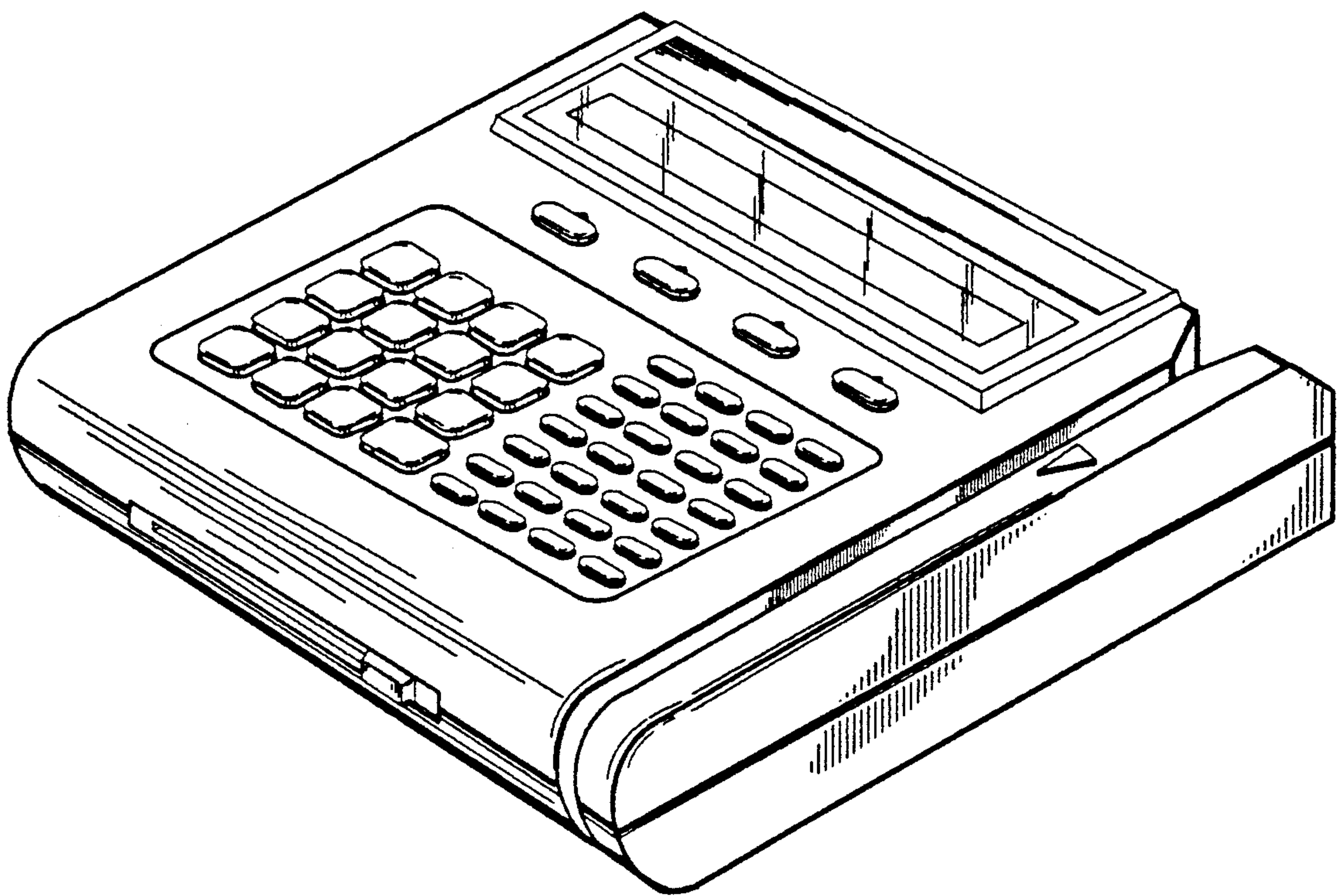


FIG 1

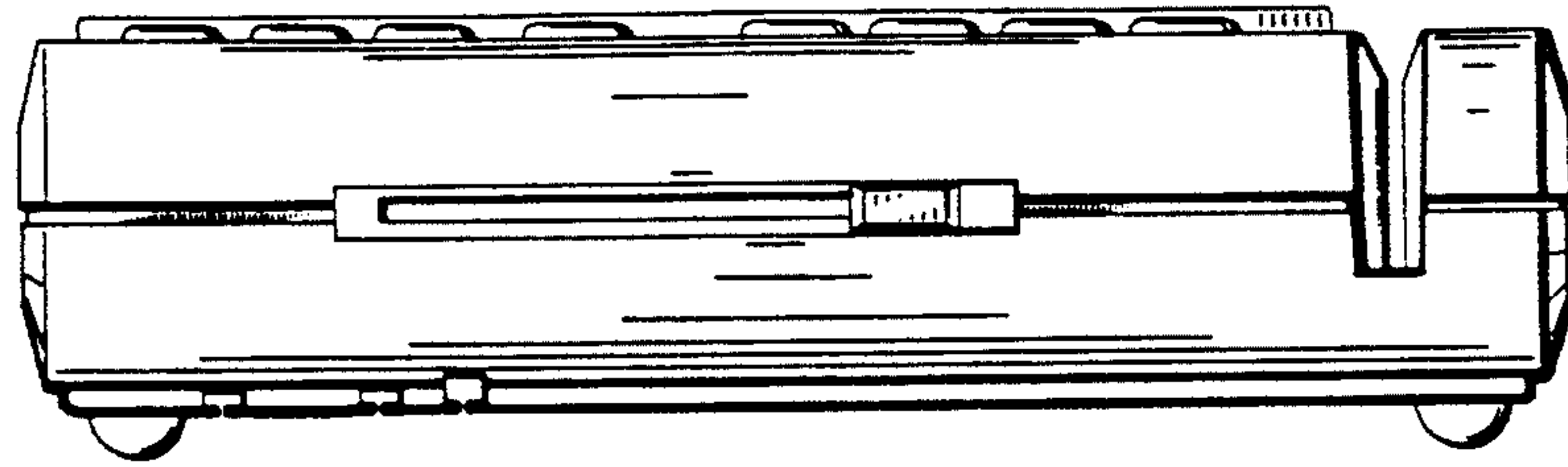


FIG 2

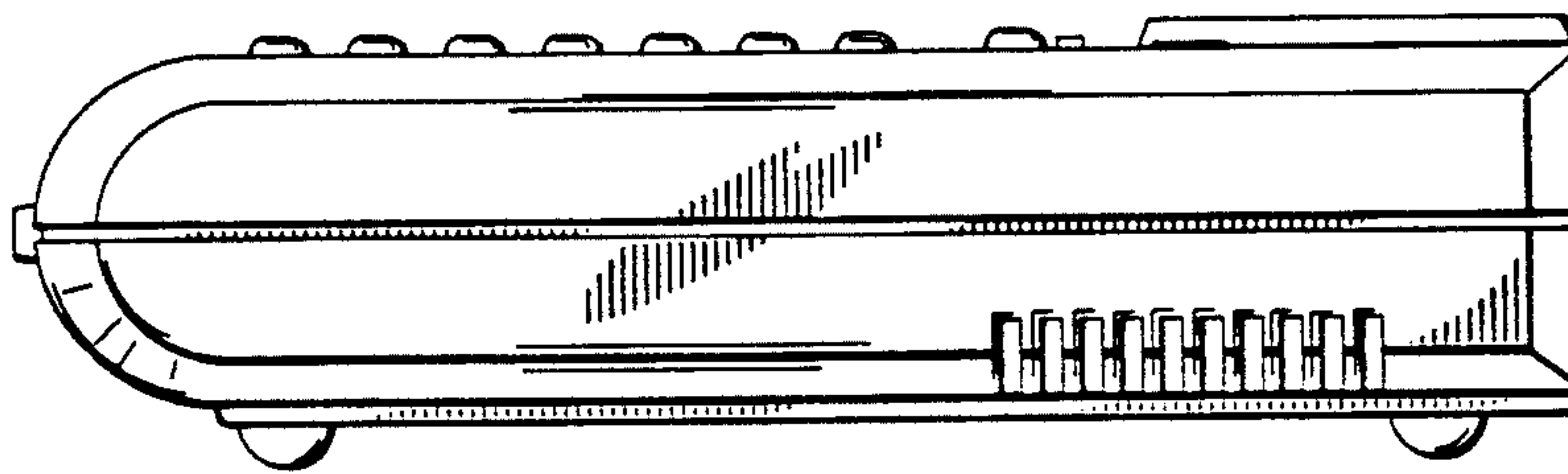


FIG 3

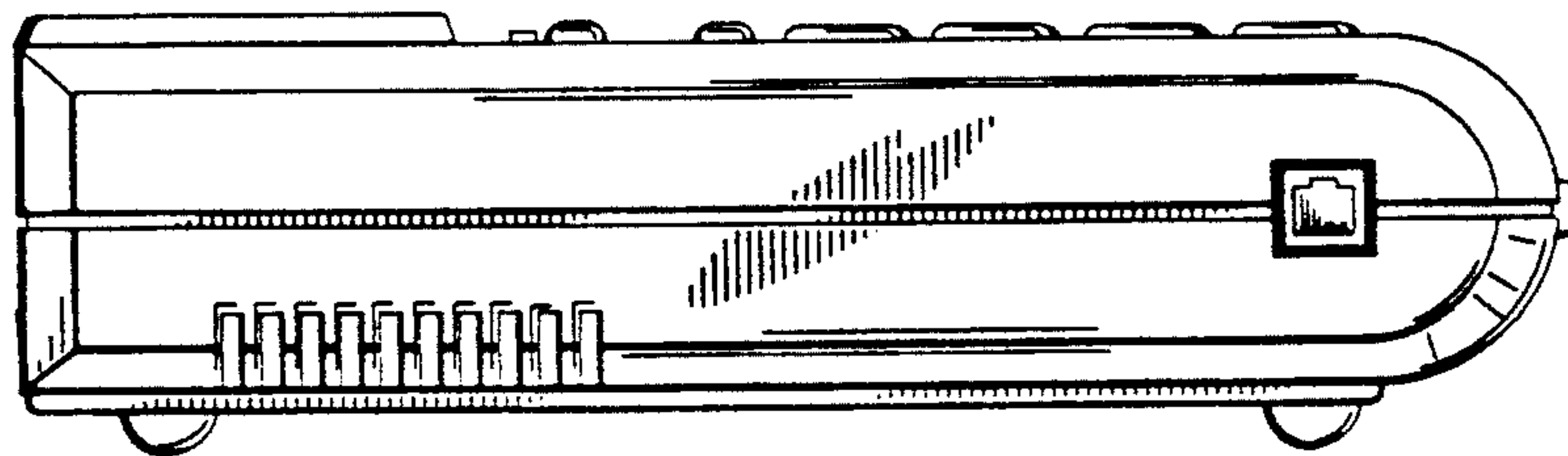


FIG 4

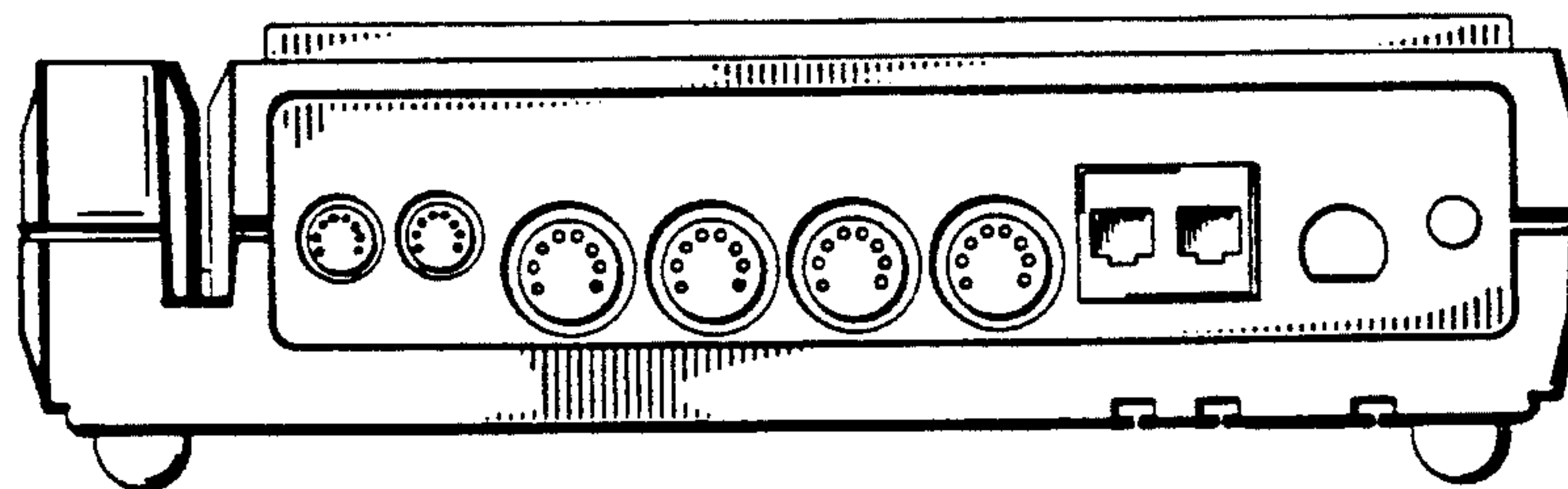


FIG 5

FIG 6

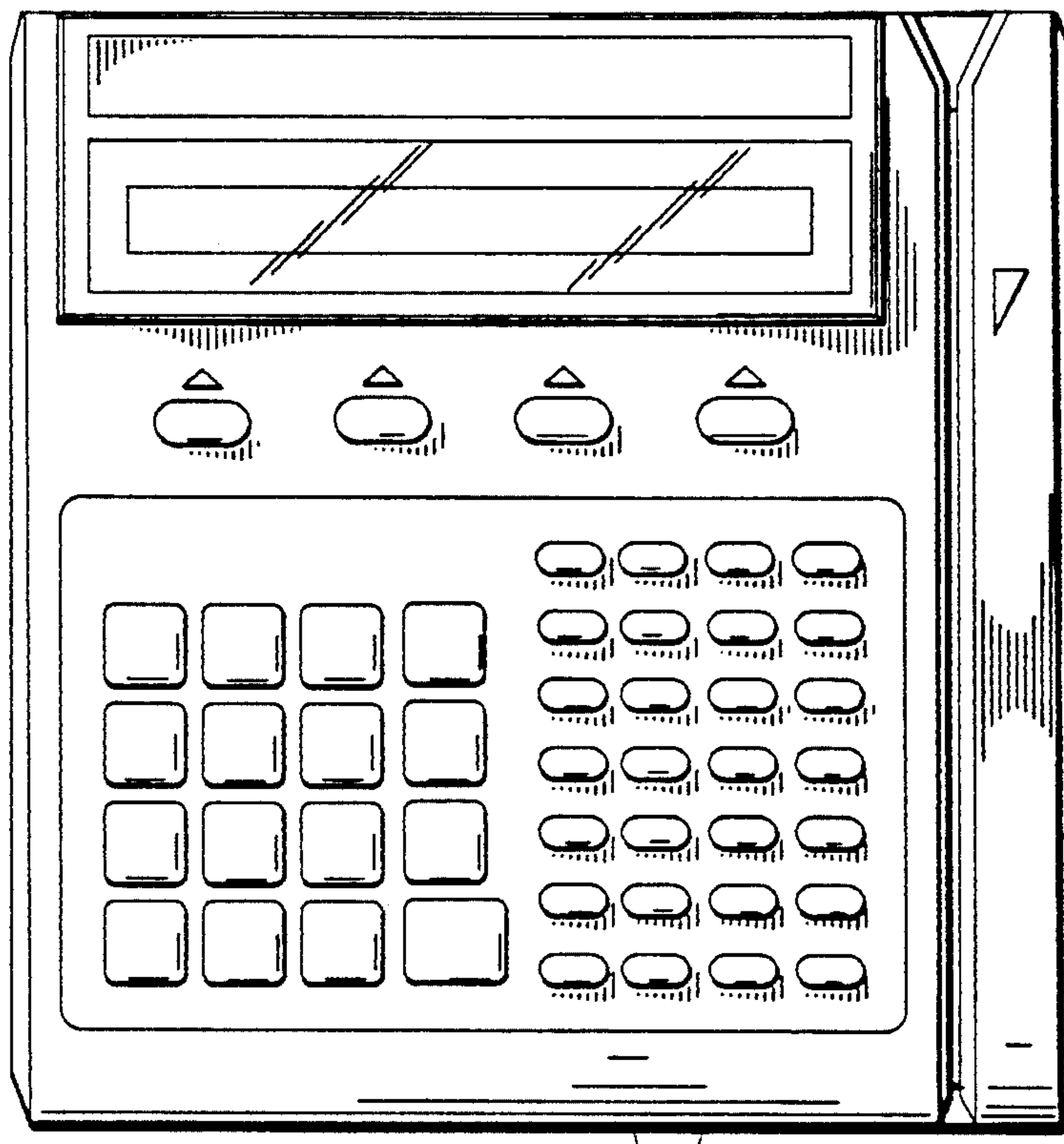


FIG 7

