



US00D348434S

# United States Patent [19]

Cyll et al.

[11] Patent Number: **Des. 348,434**

[45] Date of Patent: **\*\* Jul. 5, 1994**

[54] **RECESSED LIGHTING THERMAL PROTECTOR**

[75] Inventors: **Kenneth M. Cyll, West Buxton; Robert Ekowicki, Westbrook; Carl Weymouth, Standish, all of Me.**

[73] Assignee: **GTE Control Devices Incorporated, Standish, Me.**

[\*\*] Term: **14 Years**

[21] Appl. No.: **2,732**

[22] Filed: **Dec. 18, 1992**

[52] U.S. Cl. .... **D13/160; 374/208**

[58] Field of Search ..... **374/208; 340/584, 693; 362/276, 802, 362; D23/386; D13/160**

[56] **References Cited**

**U.S. PATENT DOCUMENTS**

D. 328,284	7/1992	Brenner	.....	D13/160
4,000,462	12/1976	Boyd et al.	.....	340/693
4,694,223	9/1987	Campolo	.....	362/276
4,835,667	5/1989	Wolfe	.....	362/276

4,841,274	6/1989	Yagher, Jr. et al.	.....	374/208
5,044,769	9/1991	Kulczyk et al.	.....	374/208
5,126,510	6/1992	Bauer et al.	.....	362/362

**OTHER PUBLICATIONS**

GTE Products Corporation, Specification Sheet for the GTE Sylvania Control Devices Operation RP Series thermal protection devices, printed Aug. 1987.

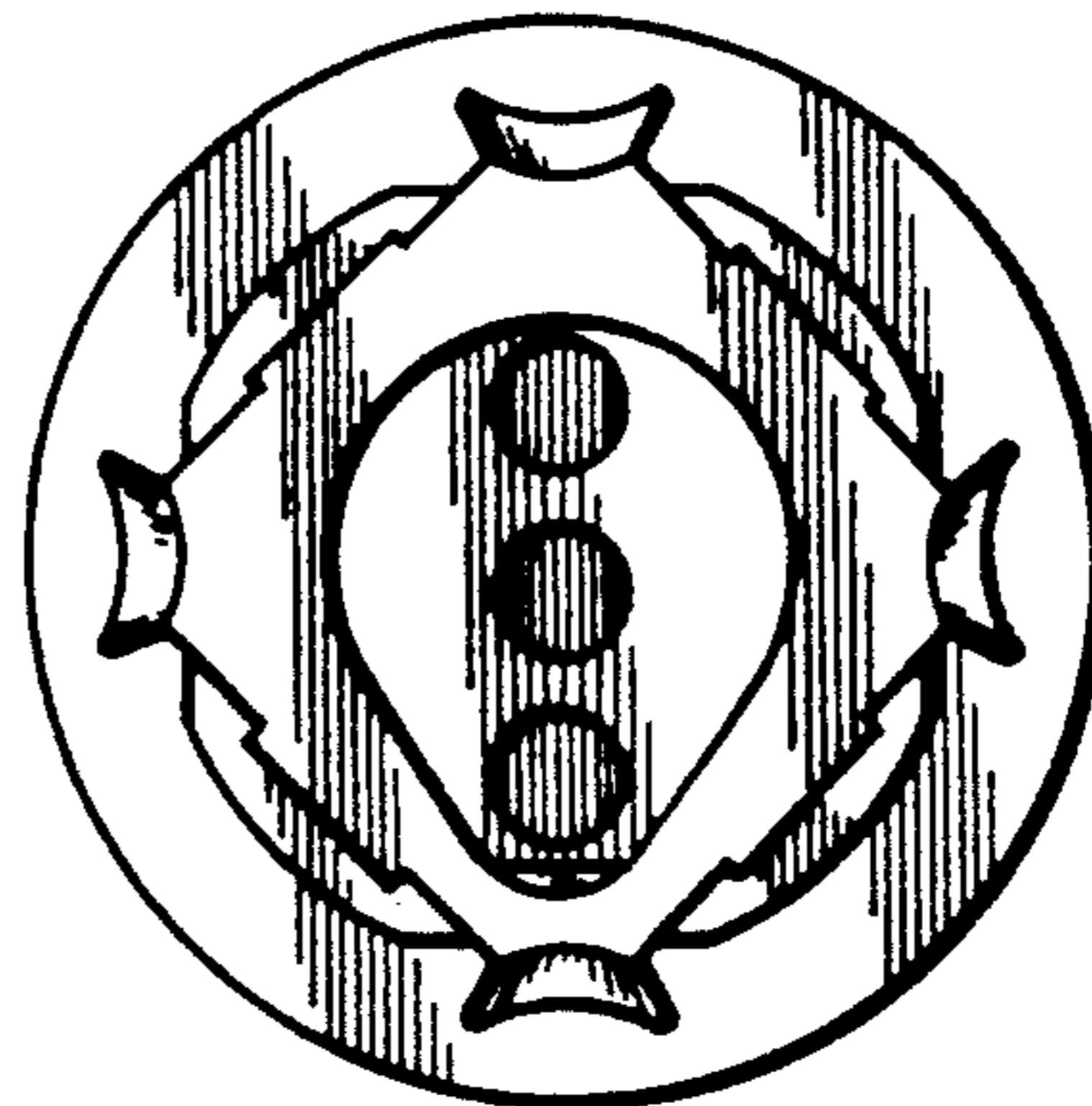
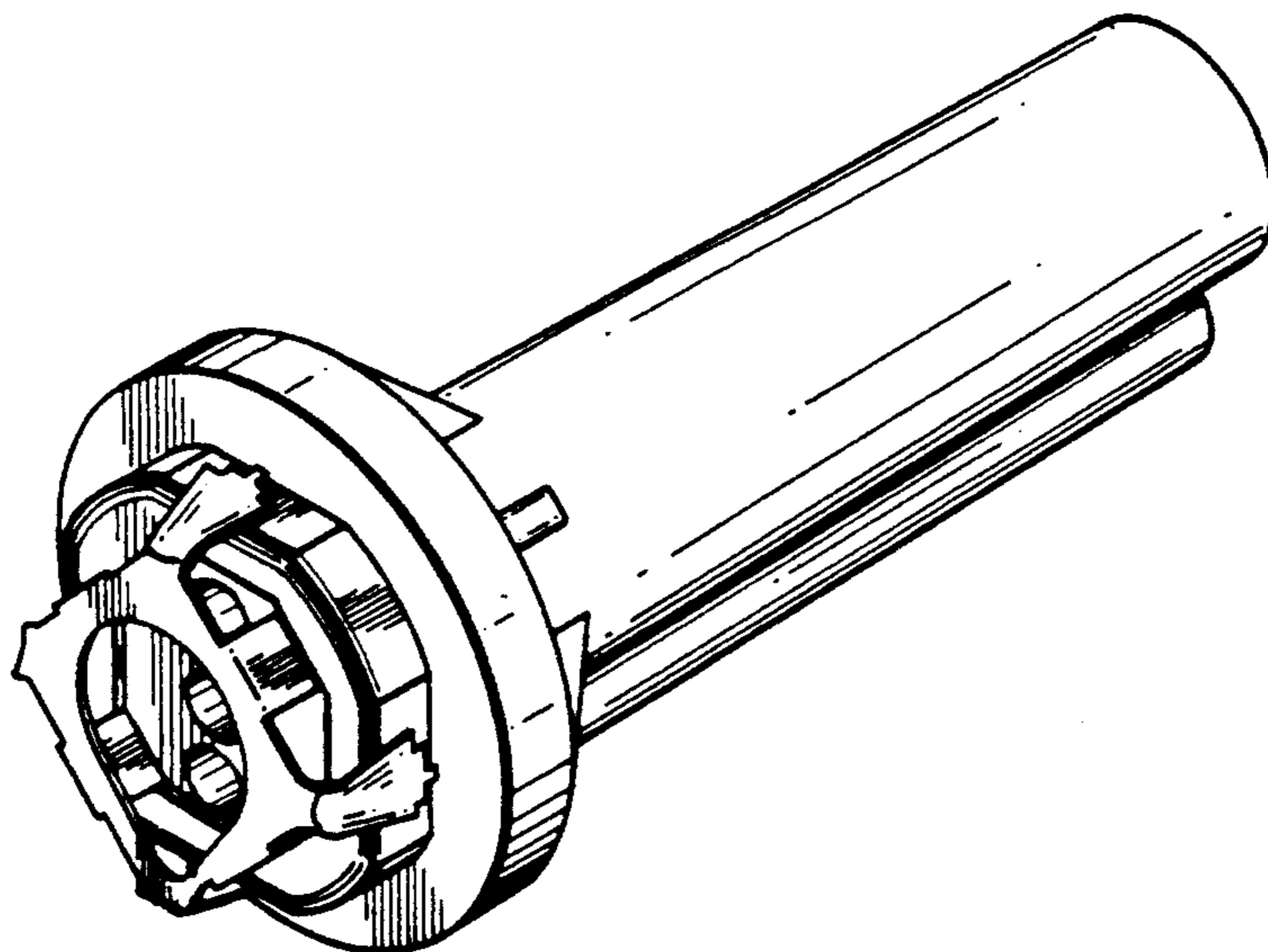
*Primary Examiner*—Wallace R. Burke  
*Assistant Examiner*—Lisa Lichtenstein  
*Attorney, Agent, or Firm*—Martha Ann Finnegan; James Theodosopoulos

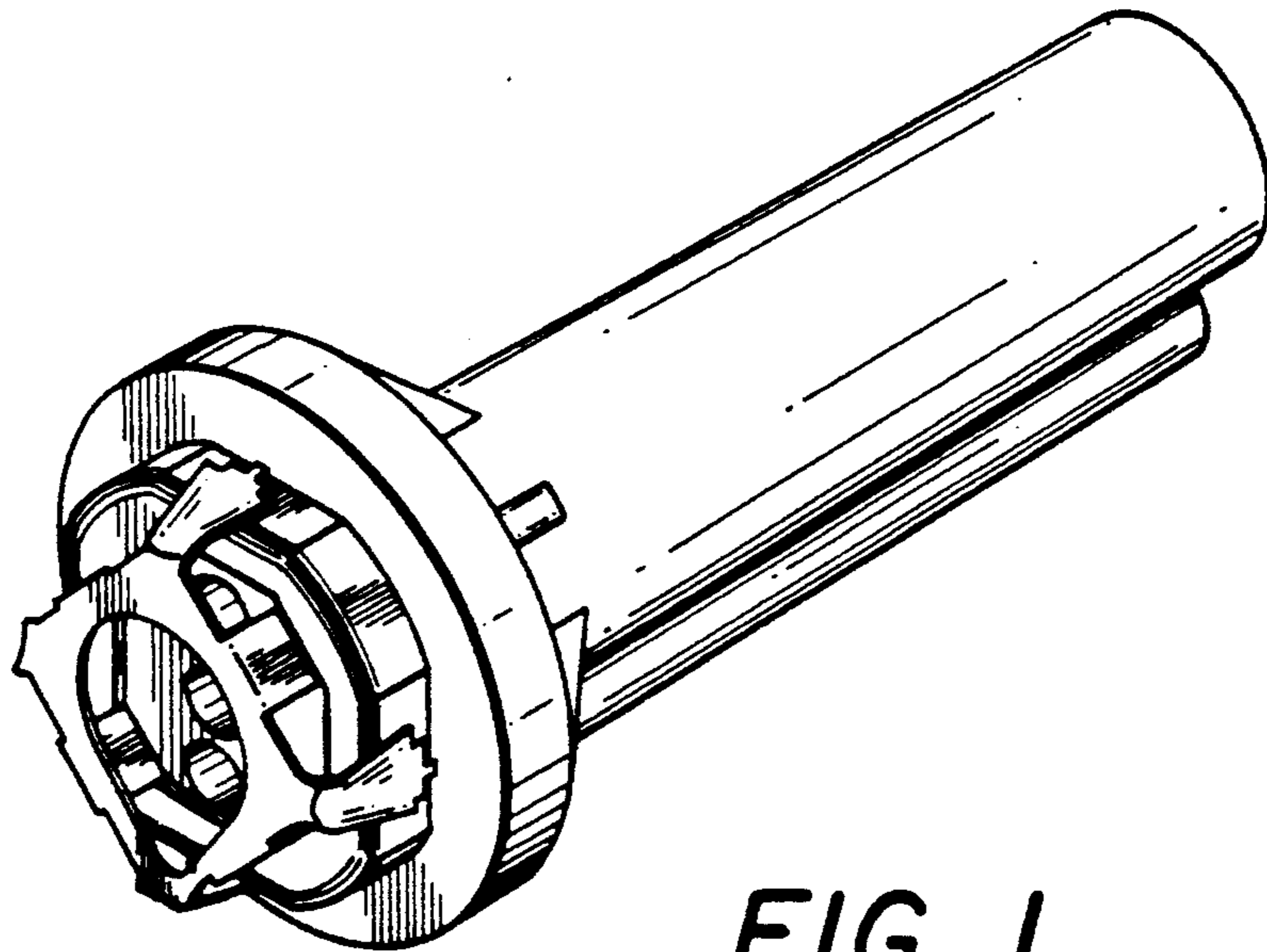
[57] **CLAIM**

The ornamental design for a recessed lighting thermal protector, as shown.

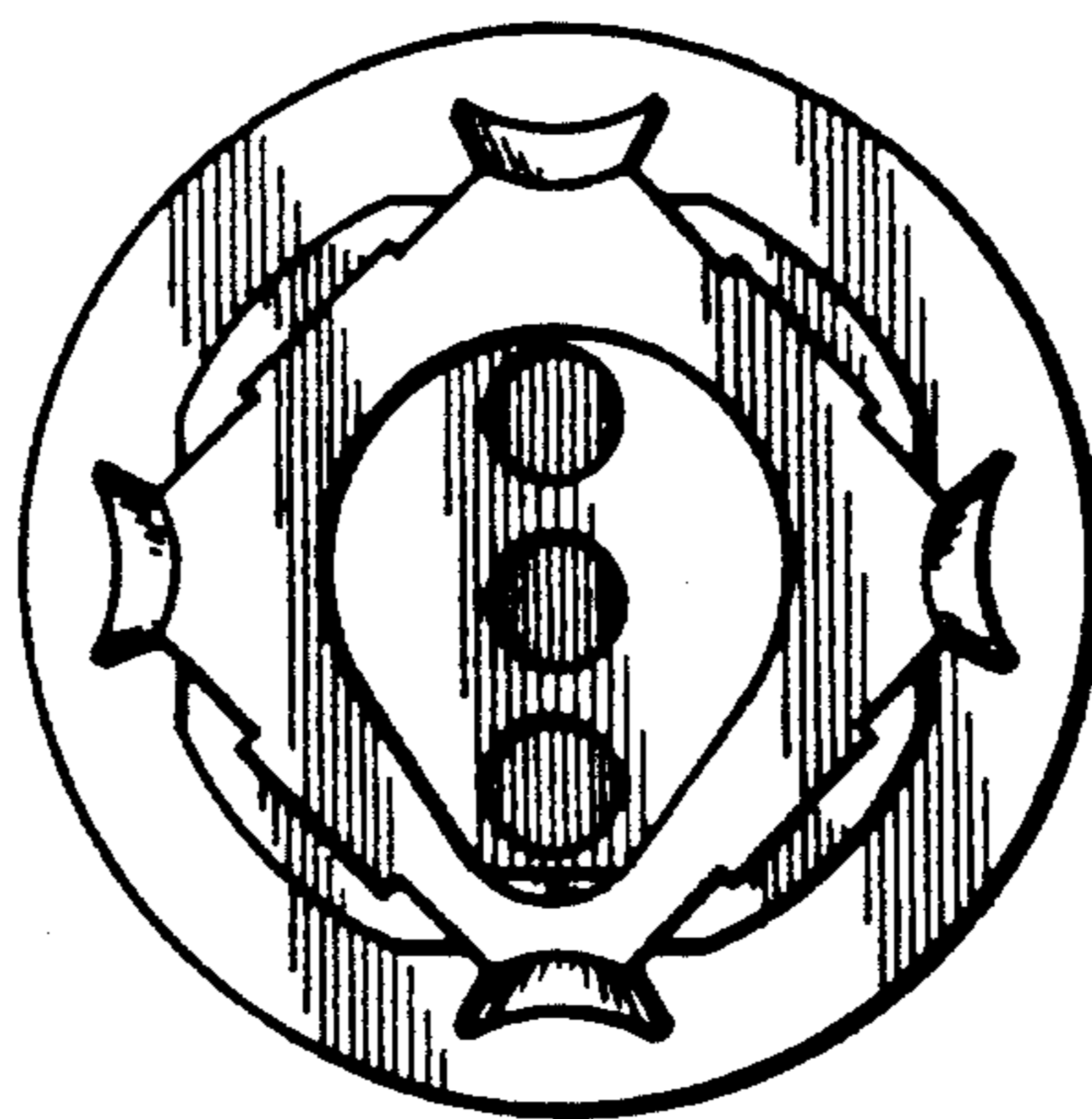
**DESCRIPTION**

FIG. 1 is a perspective view of a recessed lighting thermal protector illustrating our new design; FIGS. 2 and 3 are end views of the thermal protector; and, FIGS. 4, 5 and 6 are side views.

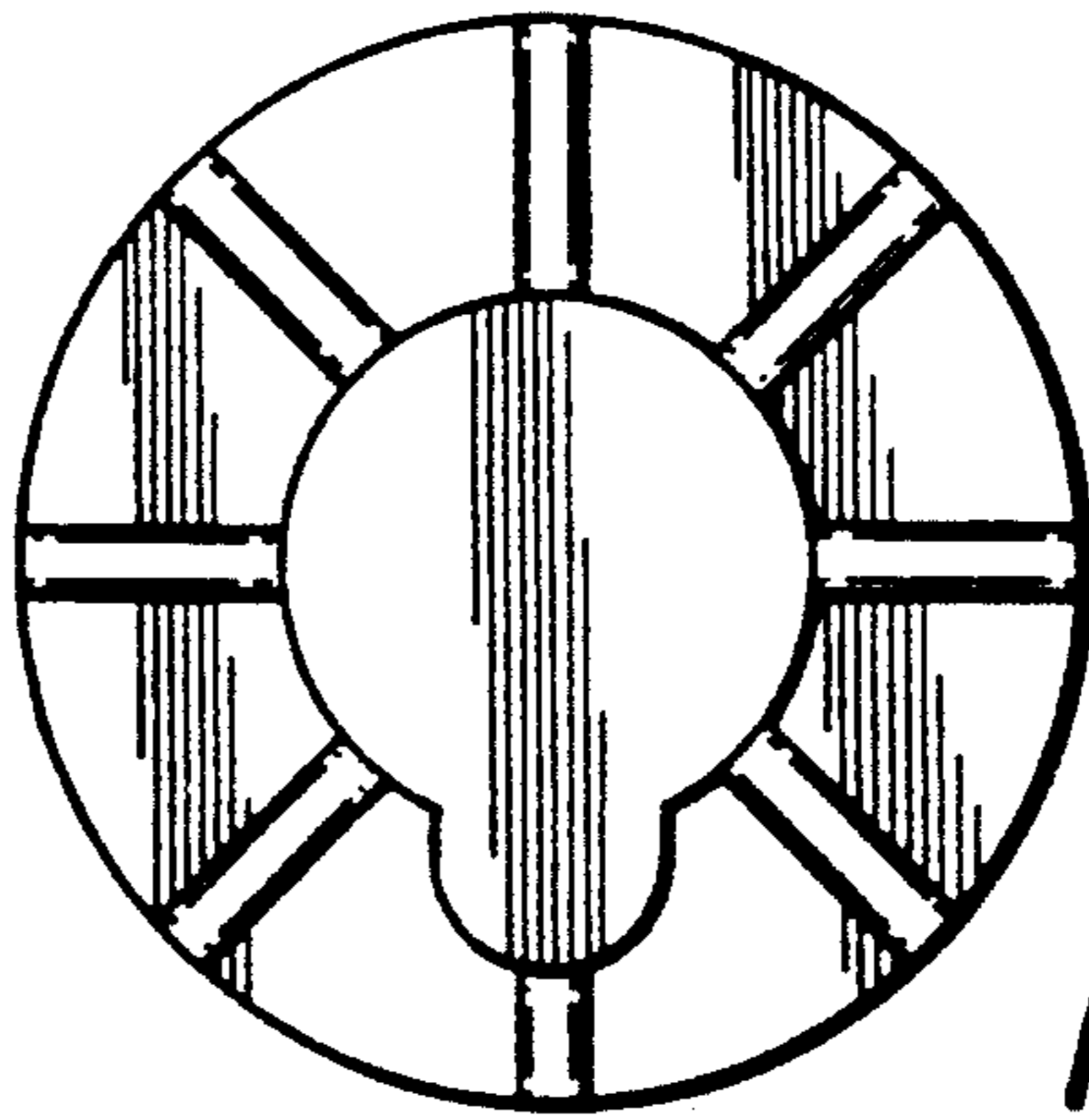




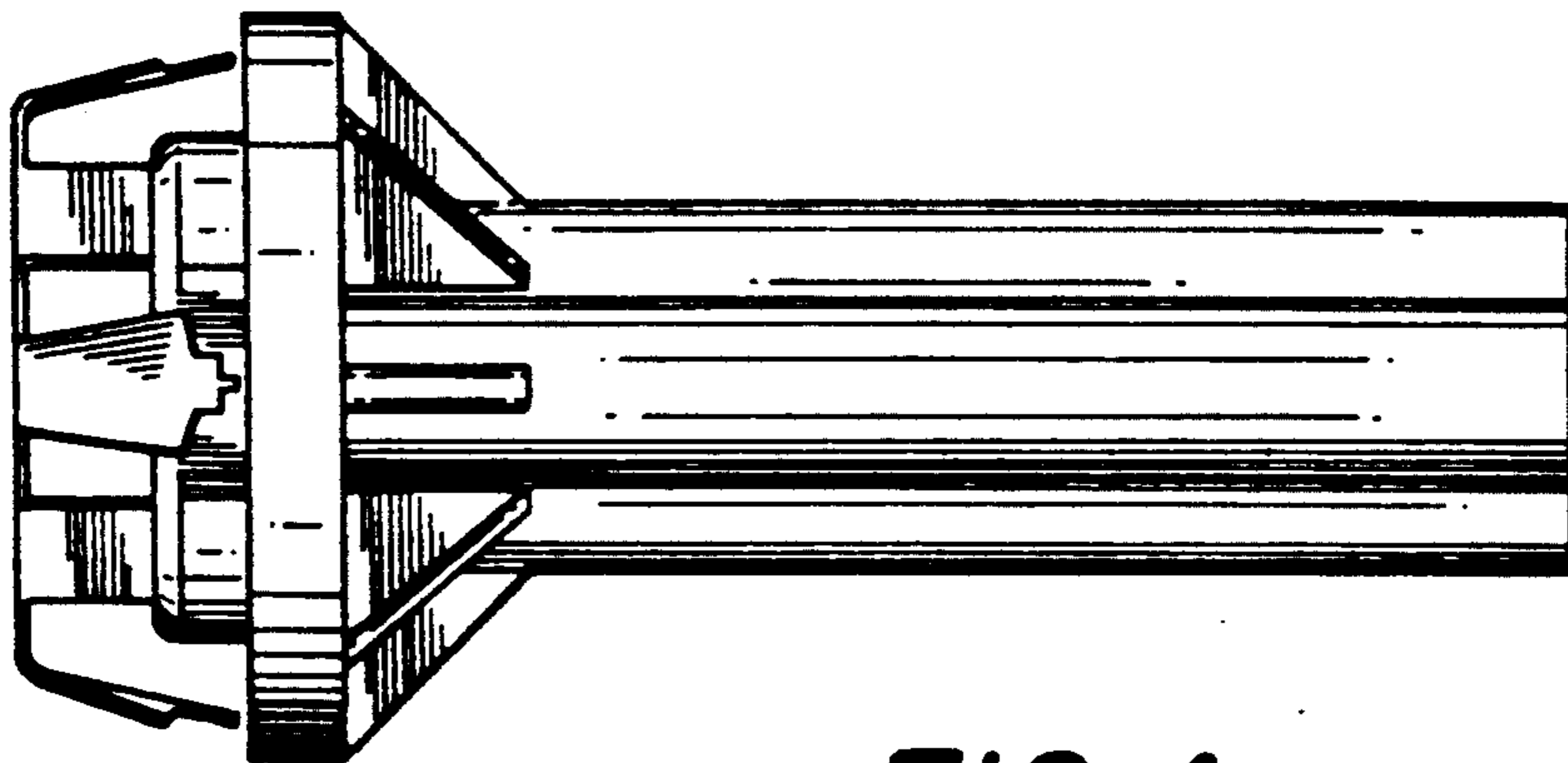
*FIG. 1*



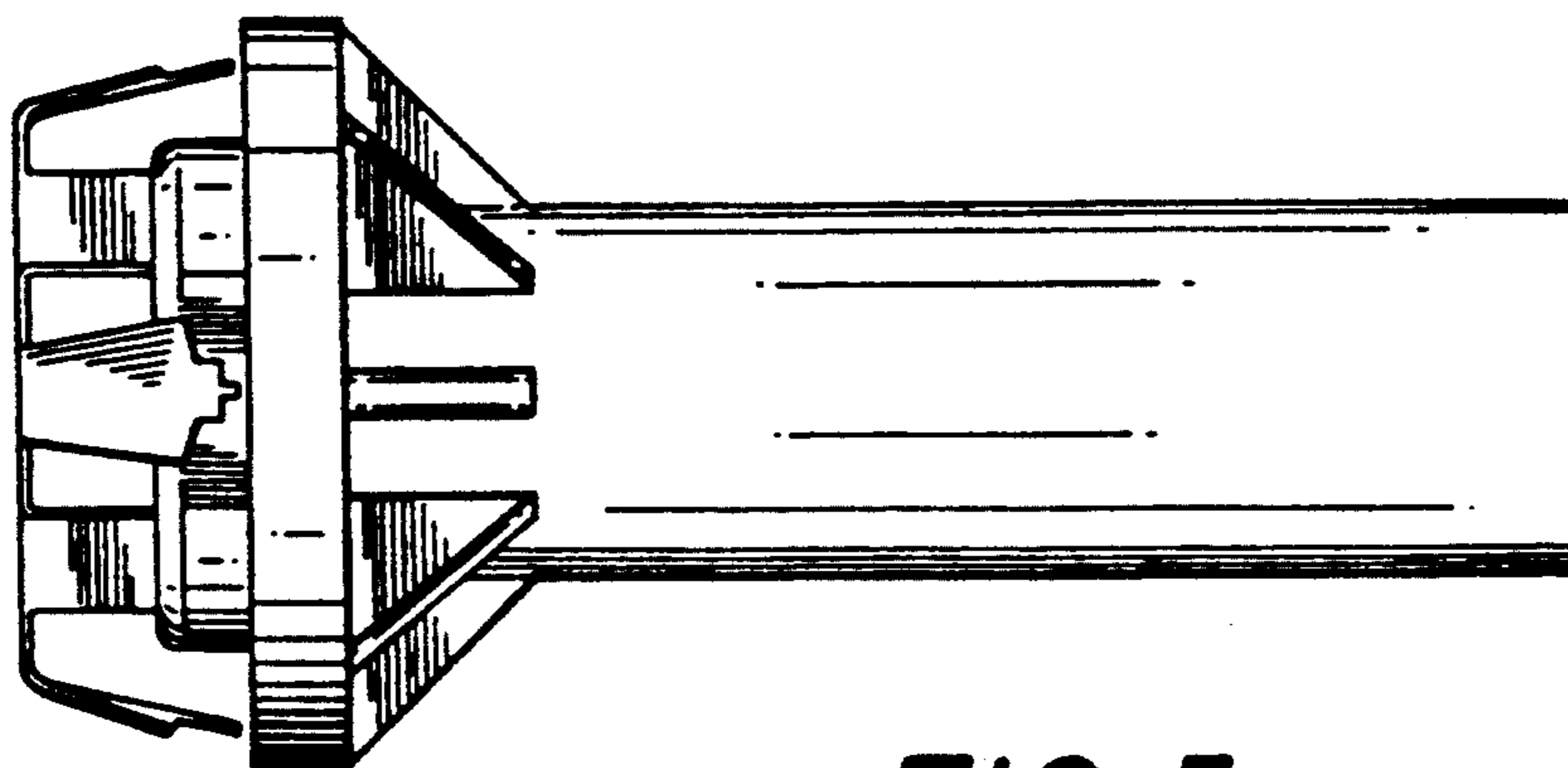
*FIG. 2*



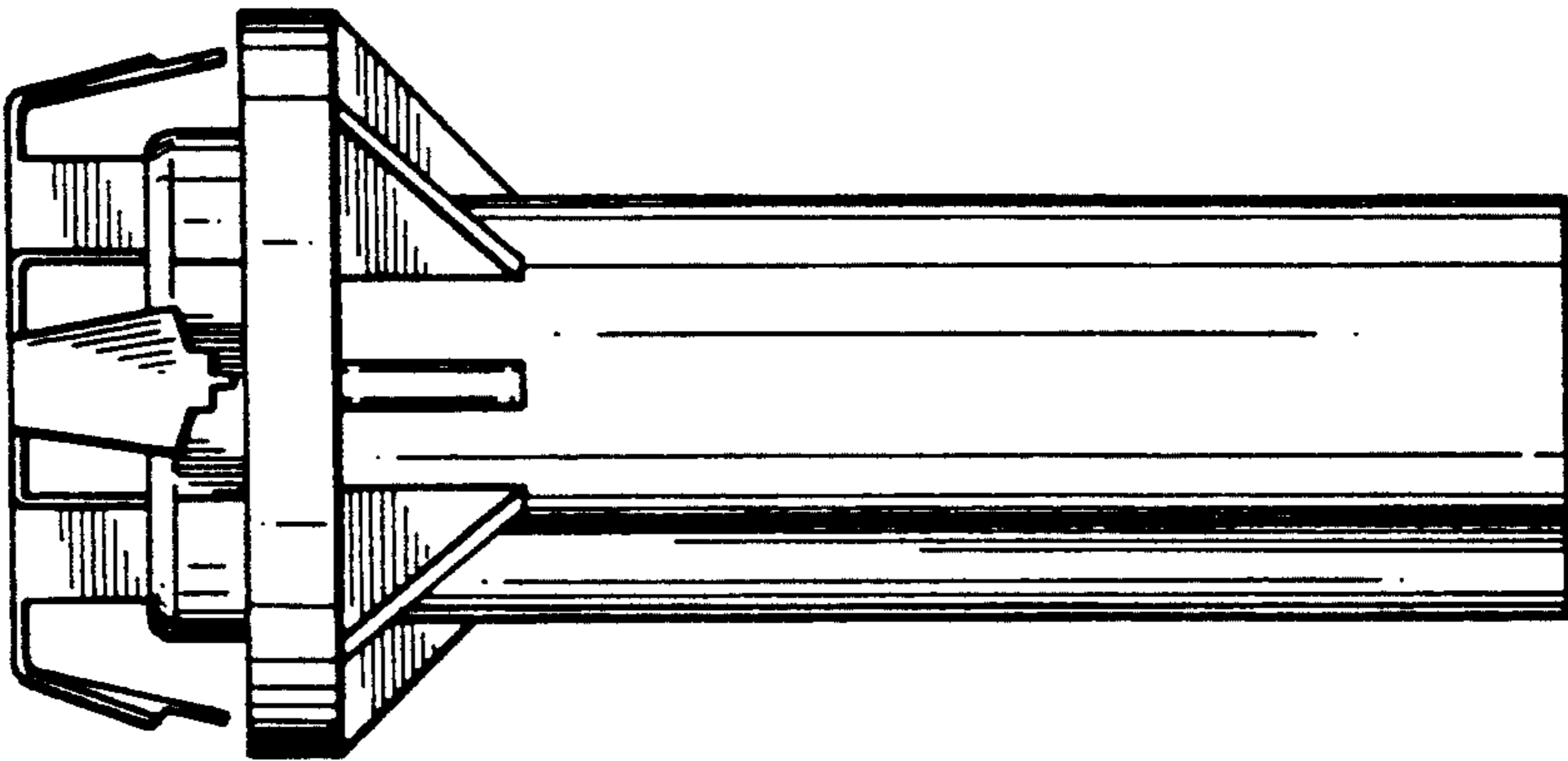
*FIG. 3*



*FIG. 4*



*FIG. 5*



*FIG. 6*