



US00D348432S

United States Patent [19] Dubruco

[11] Patent Number: **Des. 348,432**
[45] Date of Patent: **** Jul. 5, 1994**

- [54] **COMBINED WIRE MANAGEMENT CHANNEL AND END CAP THEREFOR**
- [75] Inventor: **Virginia R. Dubruco**, Denver, Colo.
- [73] Assignee: **Herman Miller, Inc.**, Zeeland, Mich.
- [**] Term: **14 Years**
- [21] Appl. No.: **954,929**
- [22] Filed: **Sep. 30, 1992**

Related U.S. Application Data

- [62] Division of Ser. No. 596,352, Oct. 12, 1990, Pat. Des. 331,916.
- [52] U.S. Cl. **D13/155**
- [58] Field of Search D8/395, 356; 52/287; 174/101; D13/155; D25/125

References Cited

U.S. PATENT DOCUMENTS

D. 175,586	9/1955	Cataldo	D13/155
D. 251,779	5/1979	Wolff et al.	D13/155
D. 283,446	4/1986	Burkinshaw	D25/125
D. 295,521	5/1988	Mockett	D8/395 X
D. 331,916	12/1992	DuBrucq	D8/356 X
3,325,585	6/1967	Brenneman	52/287 X
3,403,220	9/1968	Riedel et al.	174/101
4,602,124	7/1986	Santucci	D8/356 X
4,891,922	1/1990	Hozer et al.	52/239

Primary Examiner—Wallace R. Burke

Assistant Examiner—H. Baynham
Attorney, Agent, or Firm—Varnum, Riddering, Schmidt & Howlett

[57] CLAIM

The ornamental design for a combined wire management channel and end cap therefor, as shown and described.

DESCRIPTION

FIG. 1 is a perspective view of a combined wire management channel and end cap therefor which embodies my design with broken lines showing a panel structure which is included for illustrative purposes only and forms no part of the claimed design;

FIG. 2 is a left side elevational view thereof;

FIG. 3 is a front elevational view thereof, the rear elevational view being a mirror image thereof;

FIG. 4 is a plan view thereof;

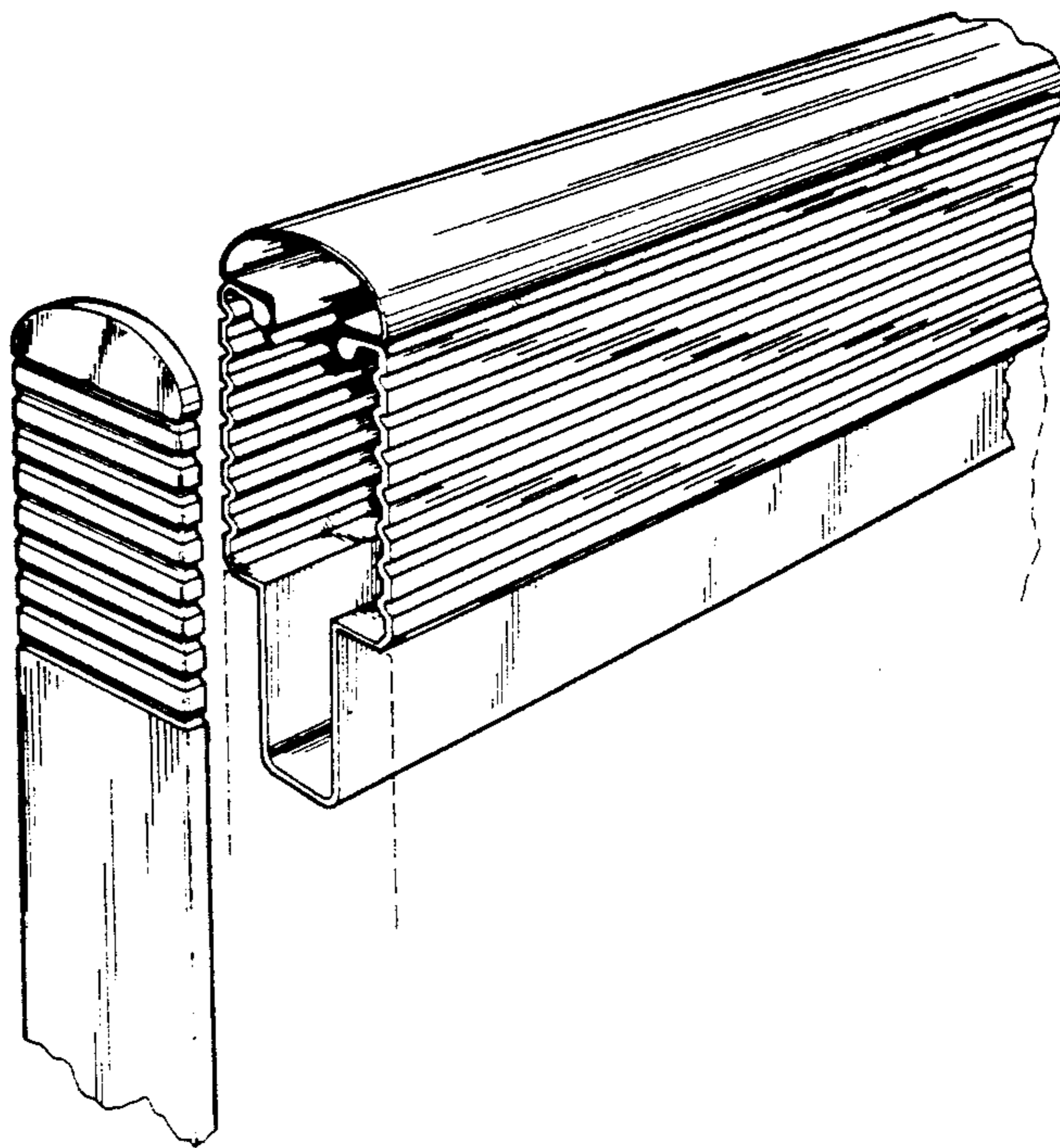
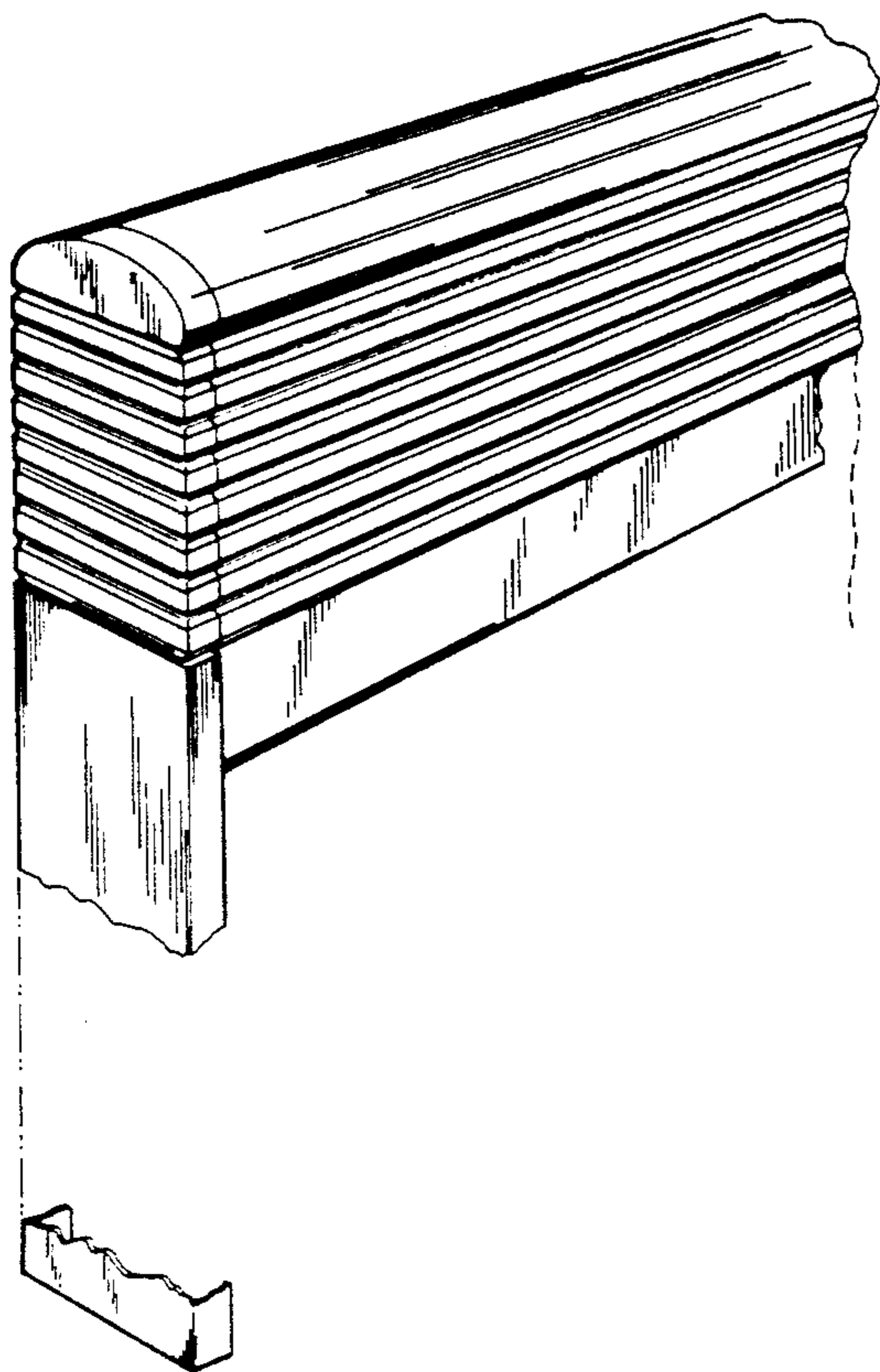
FIG. 5 is a bottom view thereof;

FIG. 6 is a perspective, assembly view of the wire management channel and end cap therefor of my design showing the end cap removed from the wire management channel; and,

FIG. 7 is a perspective, assembly view of the wire management channel and end cap therefor of my design, opposite the view of FIG. 6, showing the end cap removed from the wire management channel.

The claimed article is shown broken-away in FIGS. 1, 3-7 to indicate indeterminate length.

The appearance of the undisclosed end of the channel is identical to the end disclosed in FIG. 1.



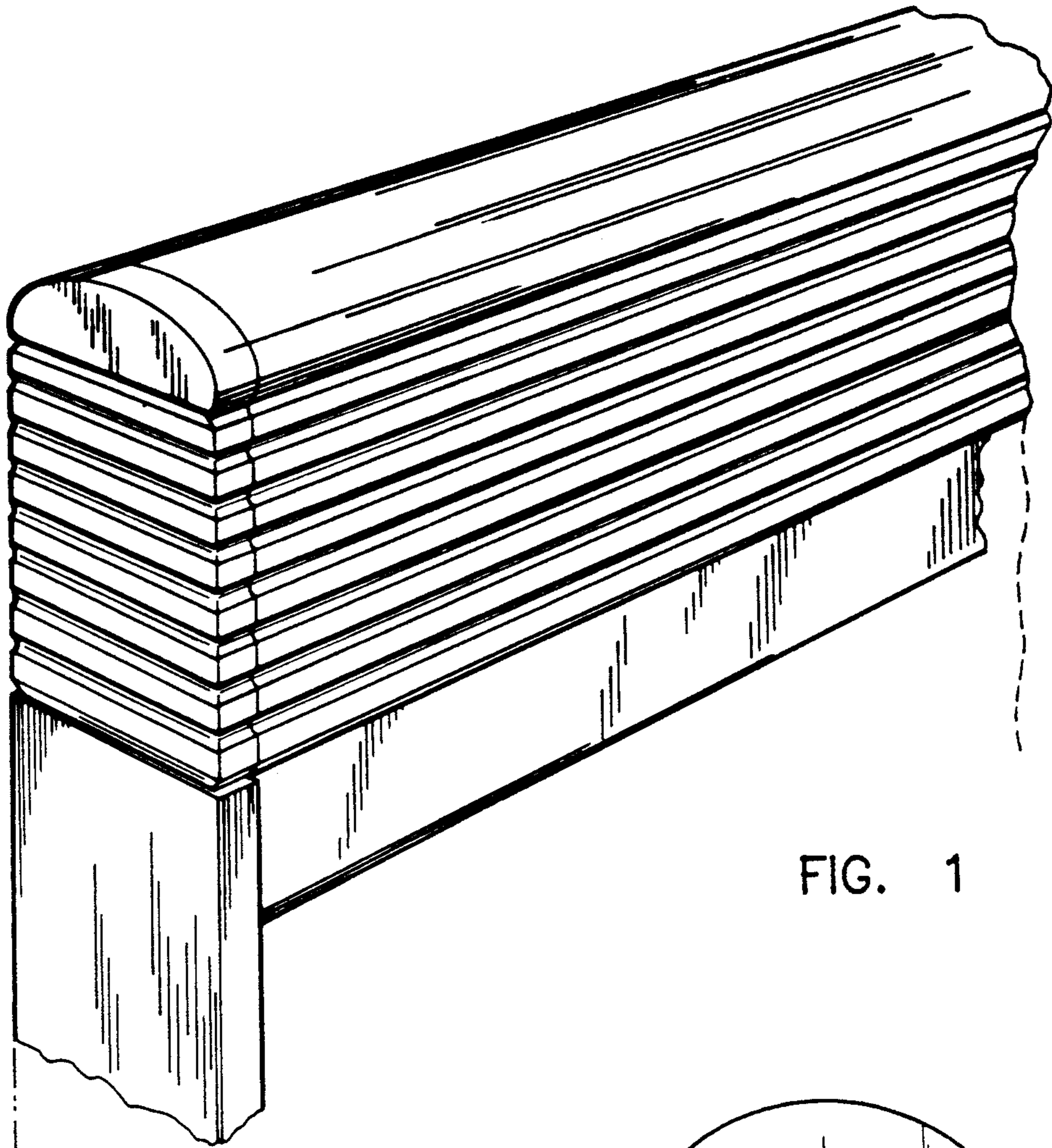


FIG. 1

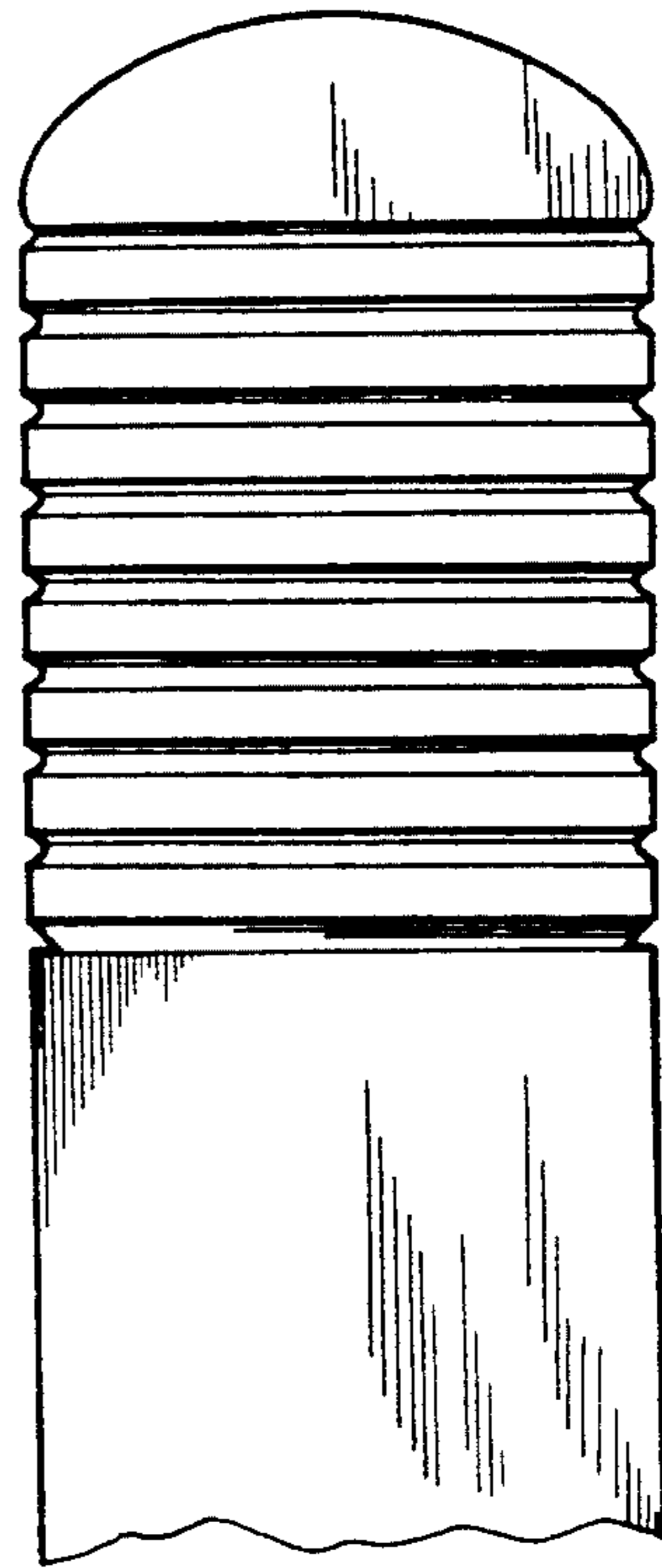
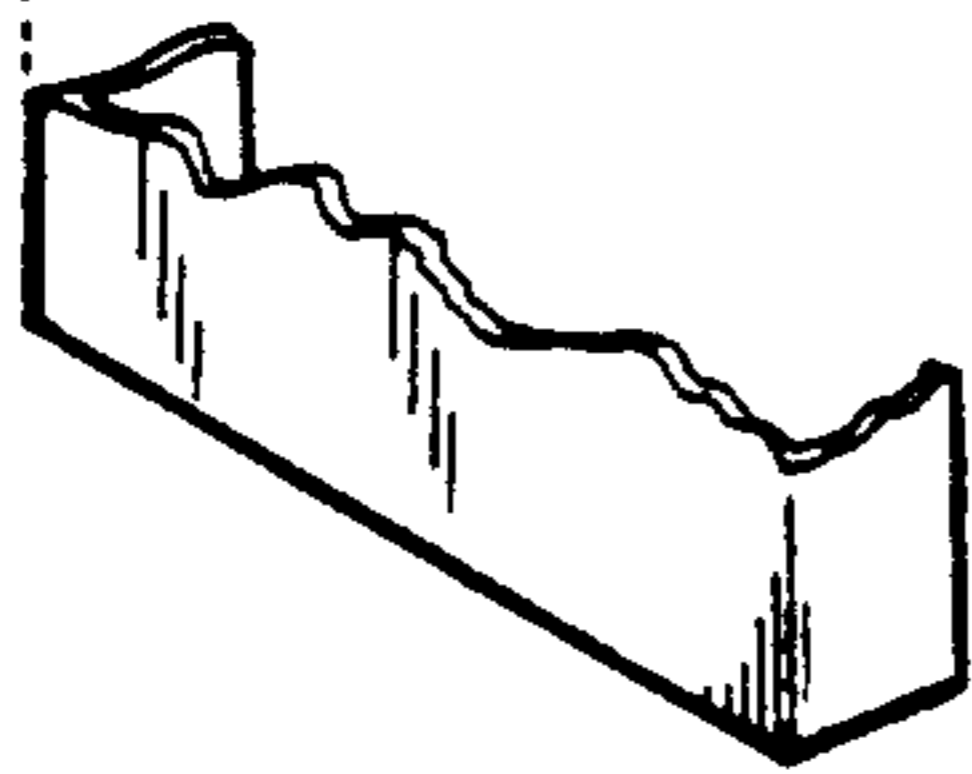


FIG. 2

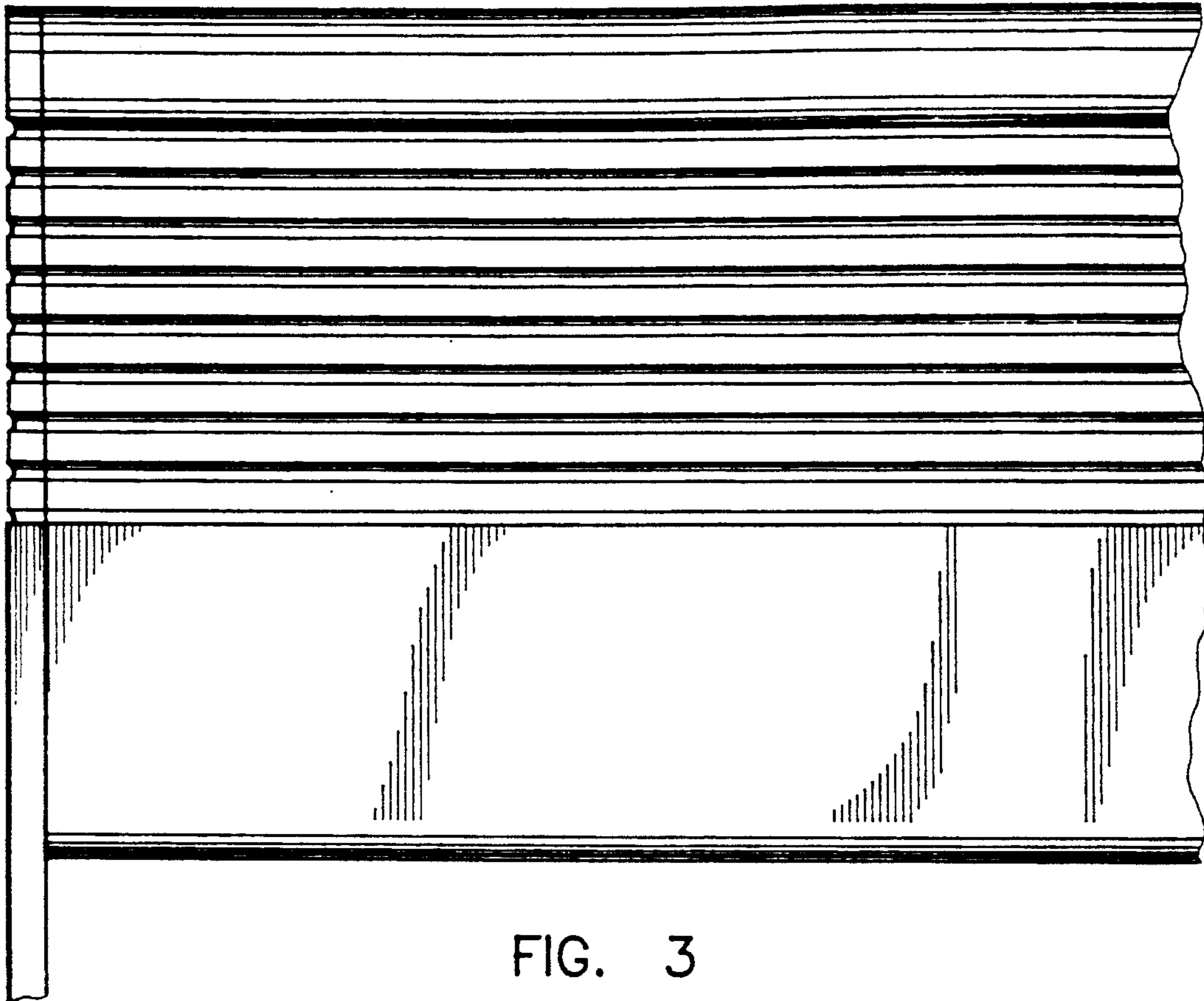


FIG. 3

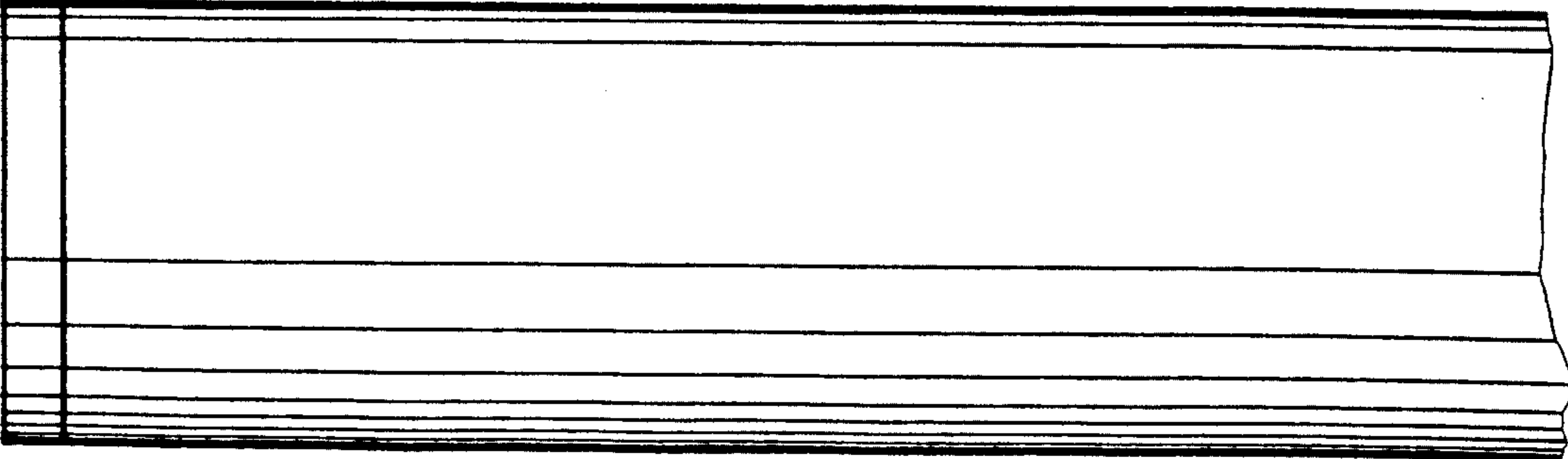


FIG. 4

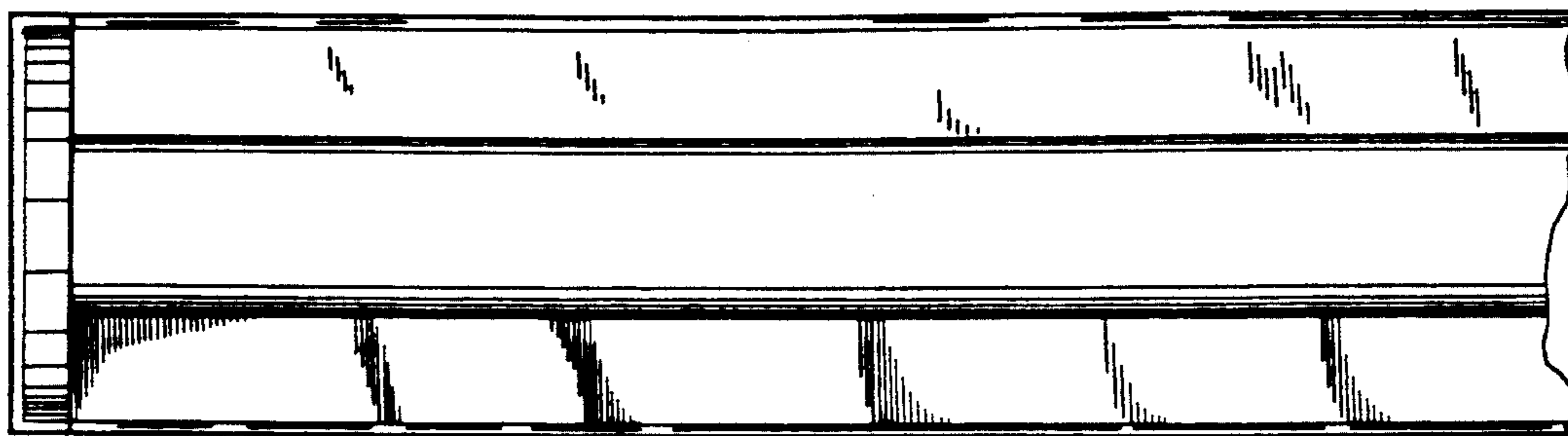


FIG. 5

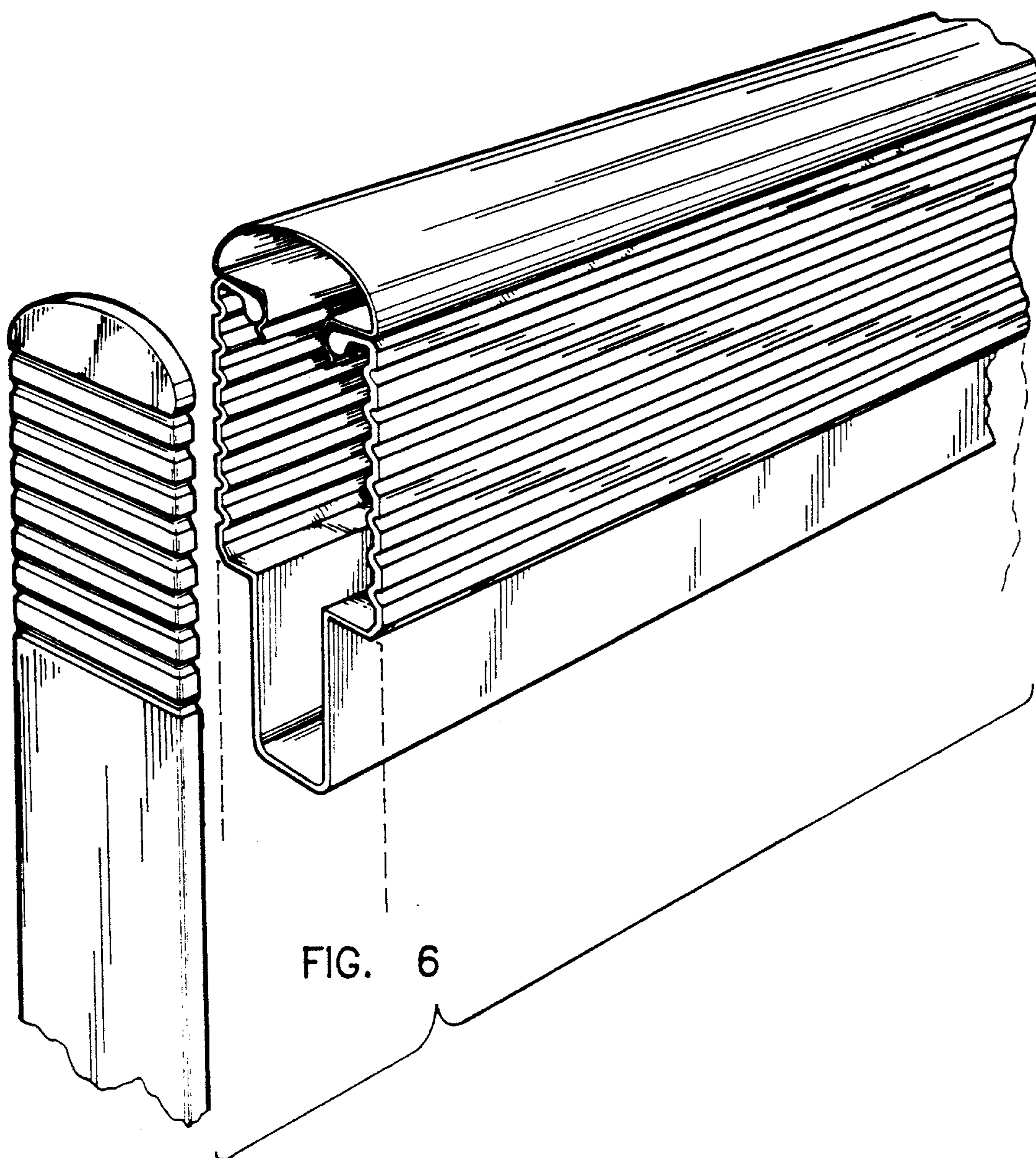
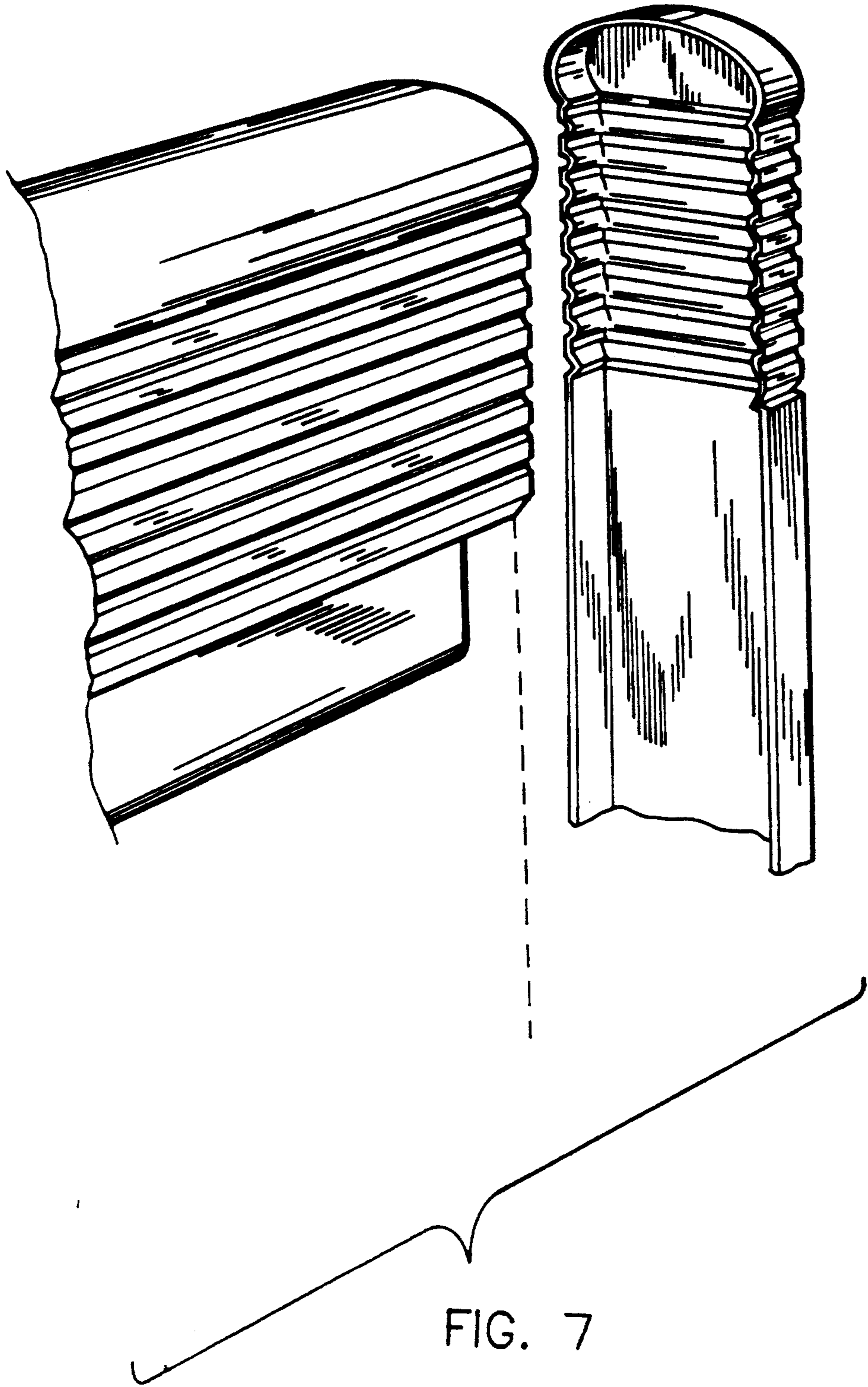


FIG. 6



UNITED STATES PATENT AND TRADEMARK OFFICE
CERTIFICATE OF CORRECTION

PATENT NO. : Des. 348,432
DATED : July 5, 1994
INVENTOR(S) : Virginia R. DuBrucq

It is certified that error appears in the above-identified patent and that said Letters Patent is hereby corrected as shown below:

On title page, items [19] and [54] change the following:

The inventor's last name is spelled "DuBrucq".

Item [57]

Delete the comma after the "and" after the description of FIG. 6.

Signed and Sealed this

Thirty-first Day of January, 1995



BRUCE LEHMAN

Commissioner of Patents and Trademarks

Attest:

Attesting Officer