



US00D348427S

United States Patent [19]

Ohmaki et al.

[11] Patent Number: **Des. 348,427**

[45] Date of Patent: **** Jul. 5, 1994**

[54] **CHARGER FOR PORTABLE TELEPHONE BATTERIES**

[75] Inventors: **Kouji Ohmaki**, Tokyo, Japan;
William S. Sepeta, Libertyville, Ill.

[73] Assignee: **Motorola, Inc.**, Schaumburg, Ill.

[**] Term: **14 Years**

[21] Appl. No.: **13,657**

[22] Filed: **Sep. 29, 1993**

[52] U.S. Cl. **D13/107**

[58] Field of Search 320/1, 2, 3, 4, 5, 15,
320/21; D13/107, 108, 110

FOREIGN PATENT DOCUMENTS

462994 12/1977 Japan .

OTHER PUBLICATIONS

NEC expansion unit PC-6011 in NEC brochure published Aug. 28, 1982.

Primary Examiner—Wallace R. Burke

Assistant Examiner—Joel Sincavage

Attorney, Agent, or Firm—Rolland R. Hackbart

[57] CLAIM

The ornamental design for a charger for portable telephone batteries, as shown and described.

DESCRIPTION

FIG. 1 is a top, front and left side perspective view thereof;

FIG. 2 is a rear elevation view thereof;

FIG. 3 is a right side elevation thereof;

FIG. 4 is a bottom plan view thereof;

FIG. 5 is a top, front and left side perspective view thereof with the top door open;

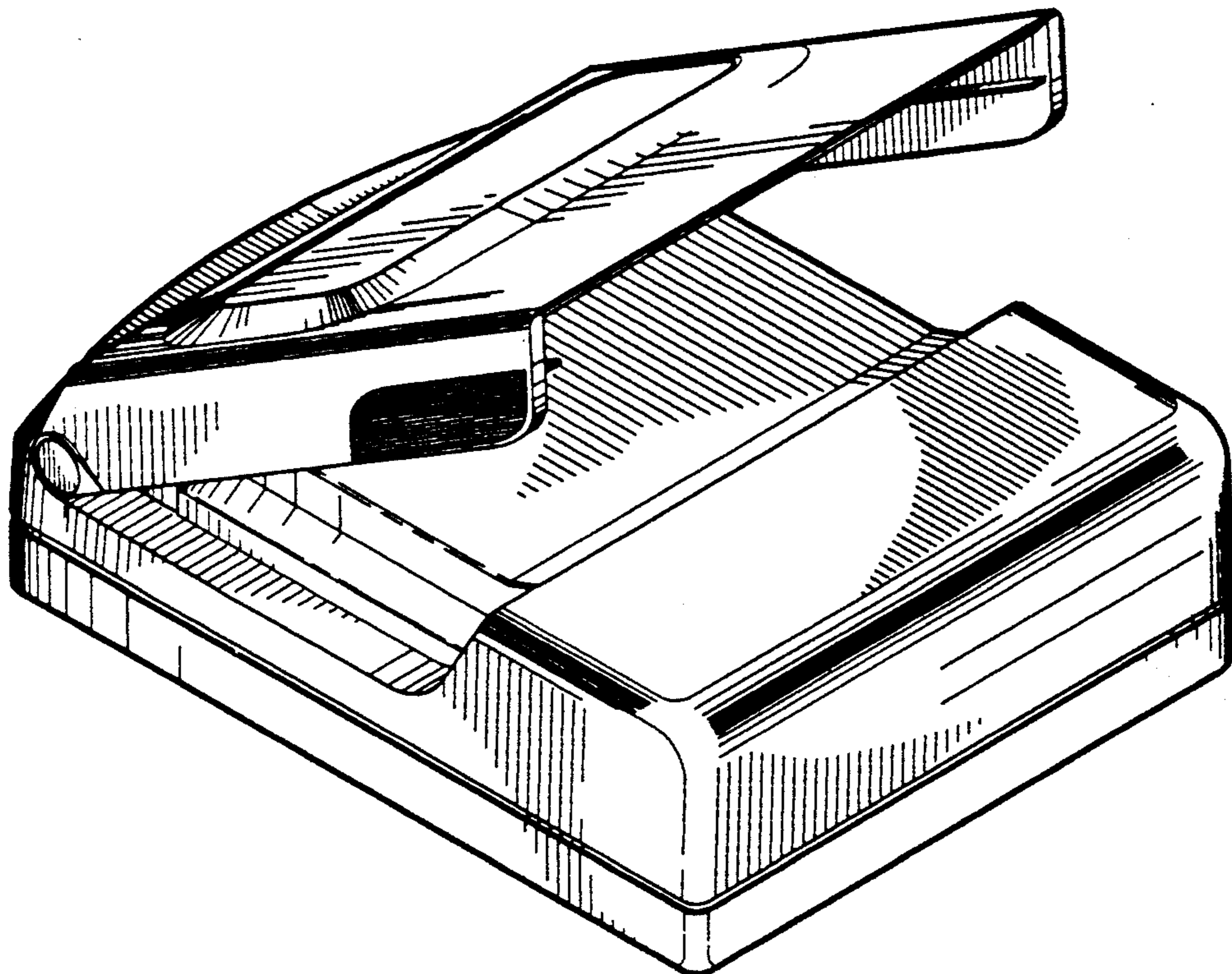
FIG. 6 is a rear elevation view thereof with the top door open; and,

FIG. 7 is a right side elevation view with the top door open.

[56] References Cited

U.S. PATENT DOCUMENTS

D. 216,469	1/1970	Floyd	D13/107
D. 306,299	2/1990	Soren	D14/251
D. 314,173	1/1991	Soren	D13/108
D. 315,330	3/1991	Soren	D13/107
D. 321,168	10/1991	Usami	D13/107
D. 324,024	2/1992	Nagele	D13/108
D. 328,376	7/1992	Koinuma	D13/107
D. 331,220	11/1992	Tsuchiya	D13/107
D. 336,281	6/1993	Nakamura et al.	D13/107
4,403,182	9/1983	Yeh	320/2



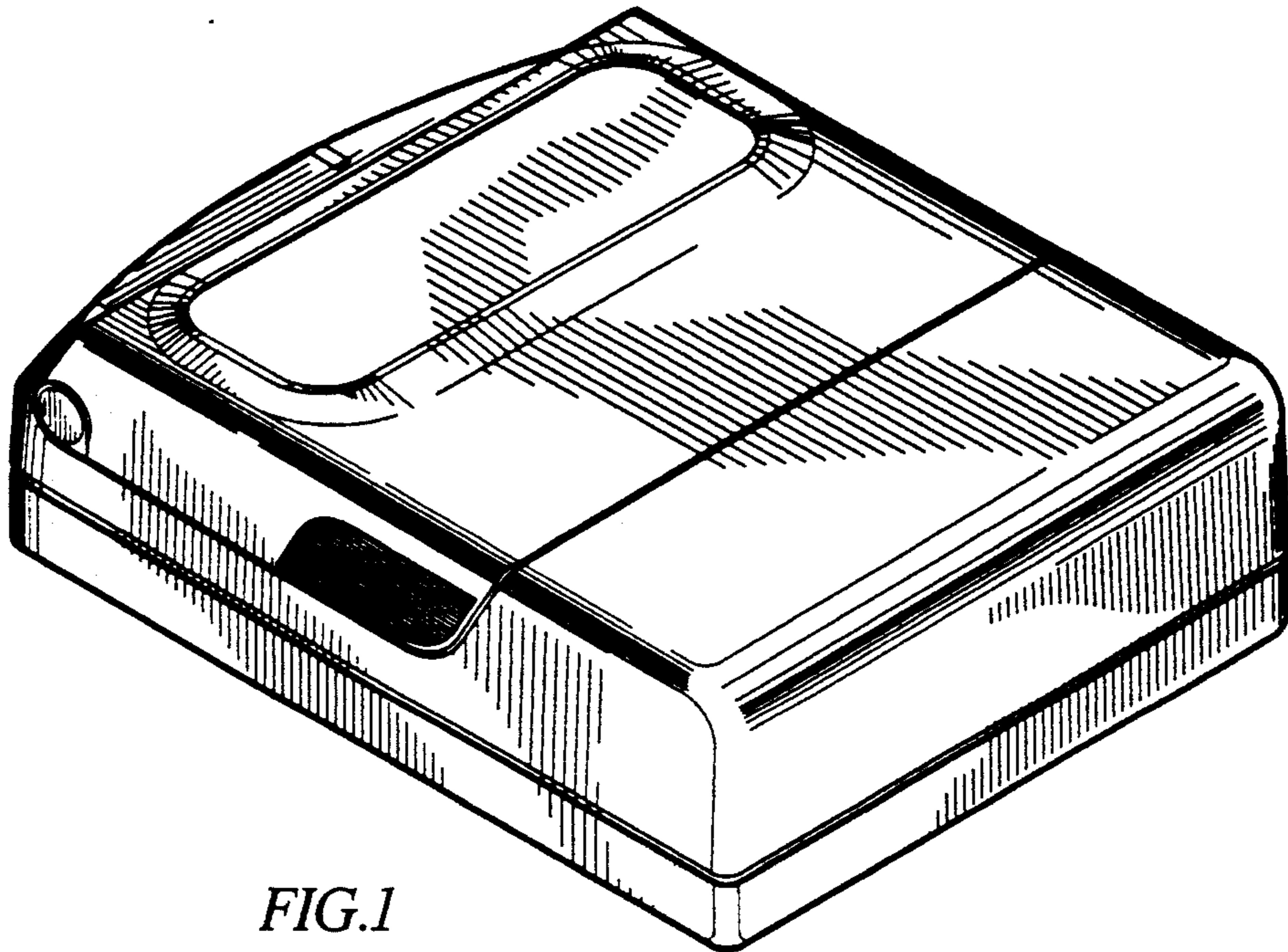


FIG.1

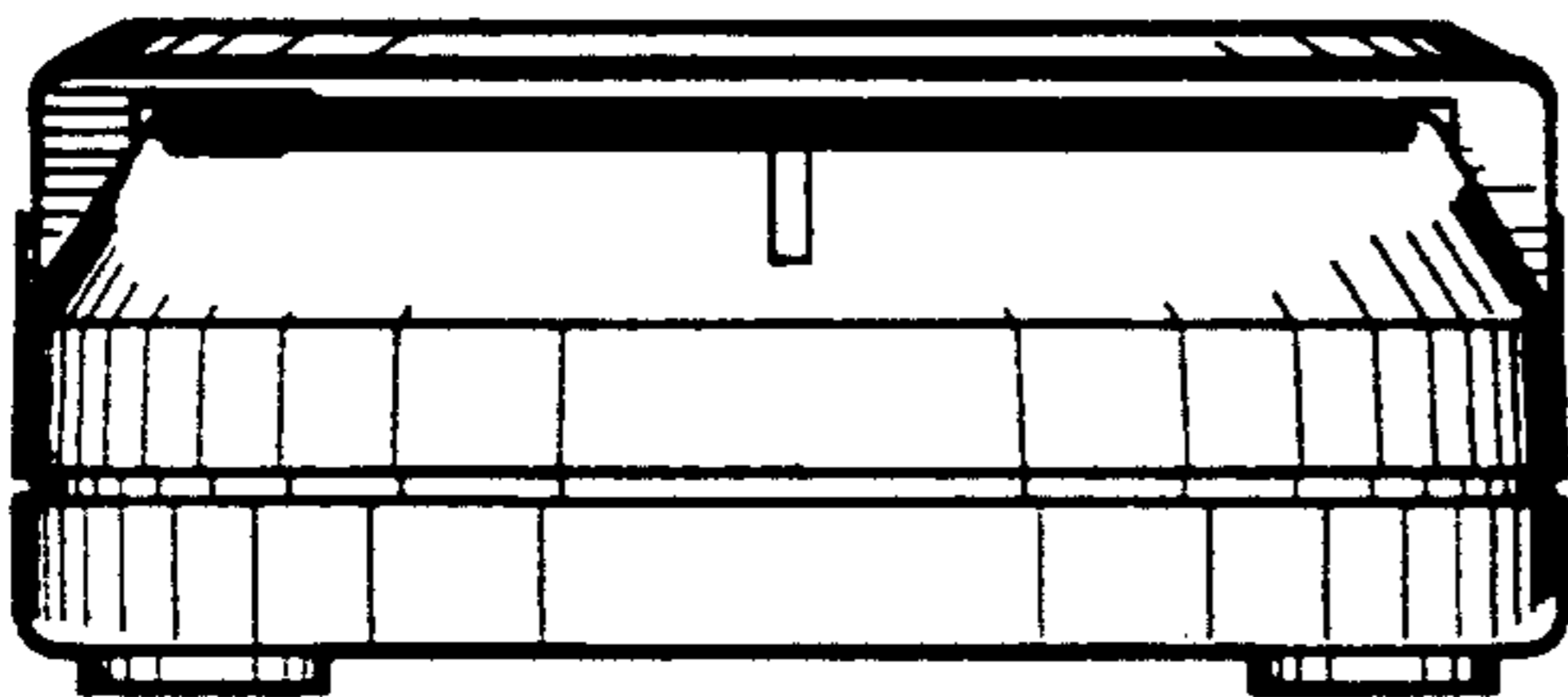


FIG.2

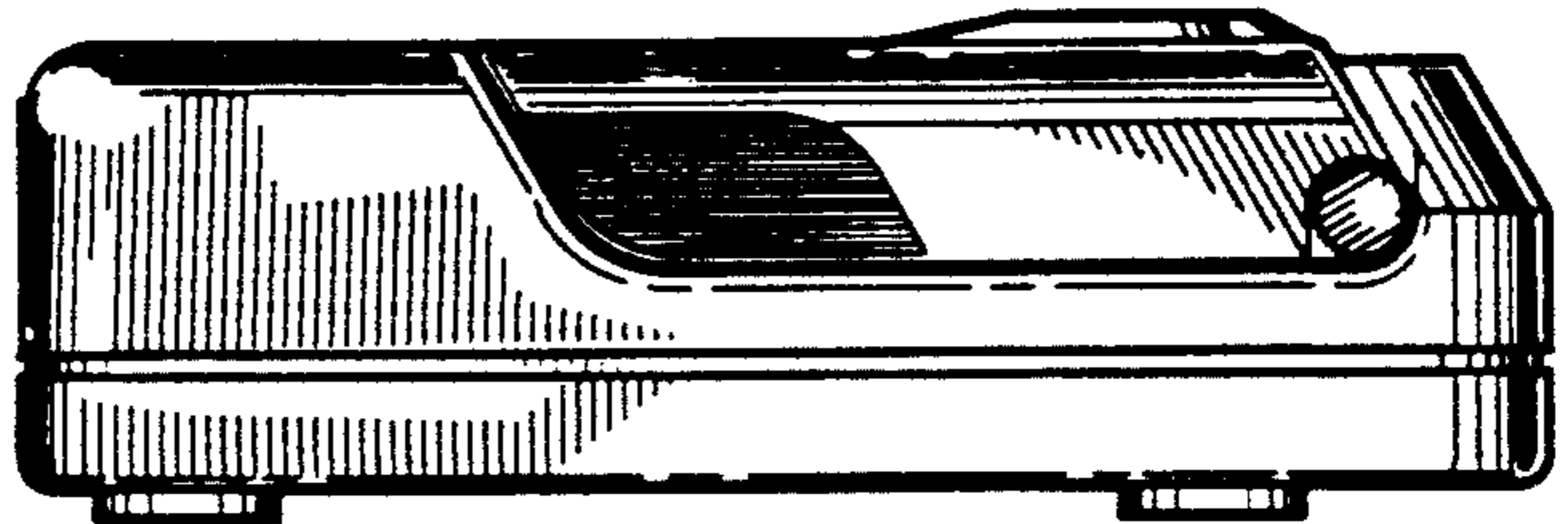


FIG.3

2/2

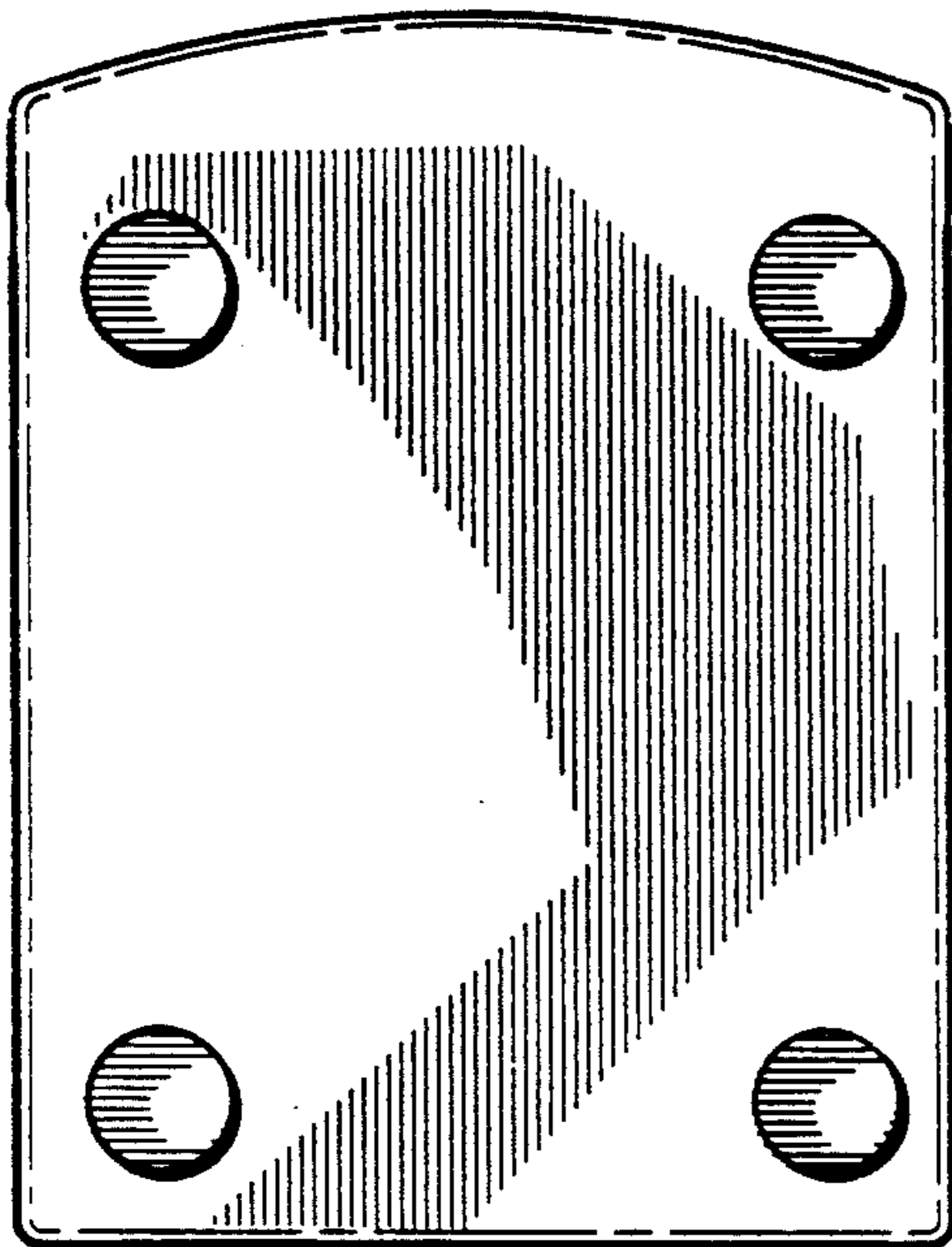


FIG. 4

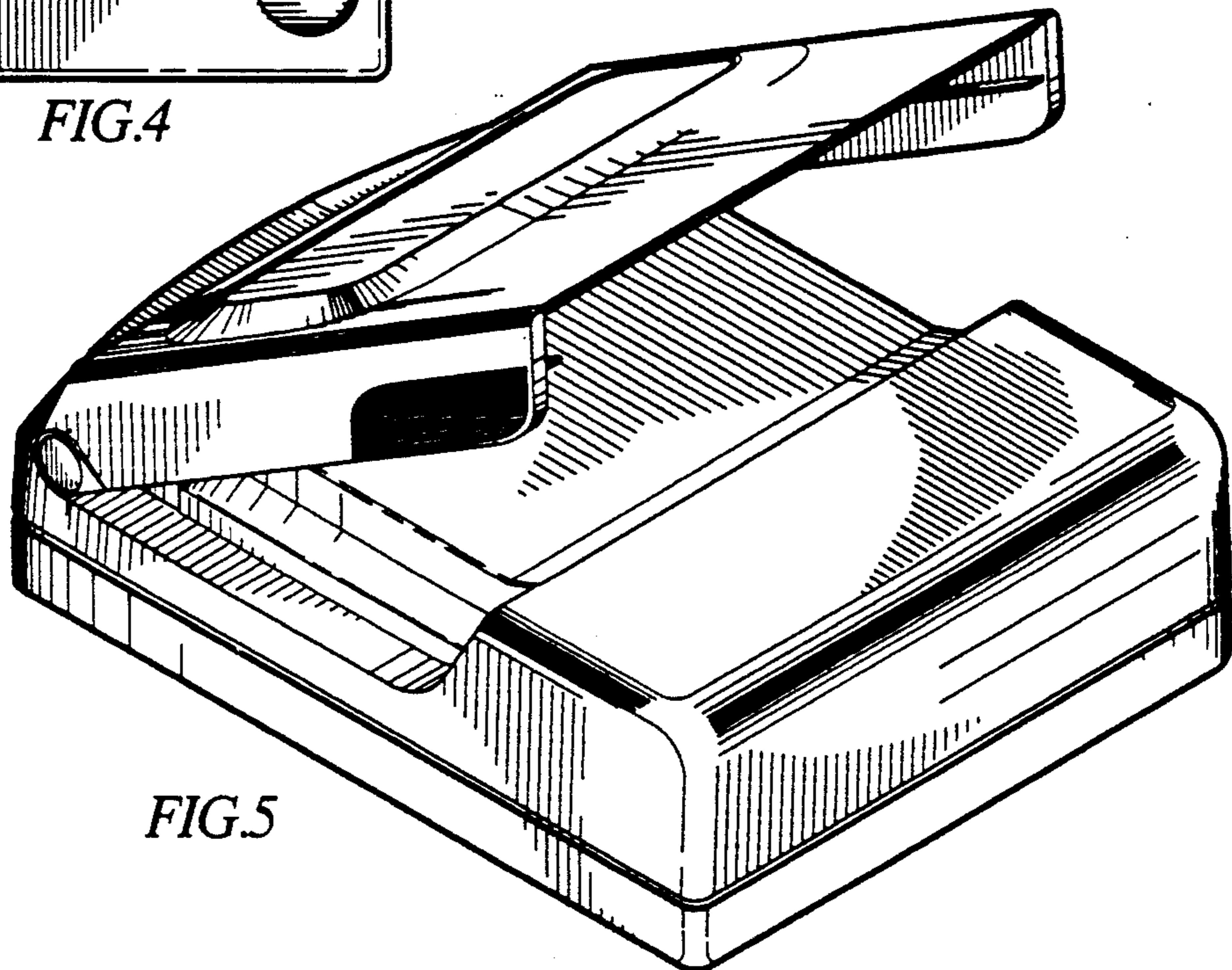


FIG. 5

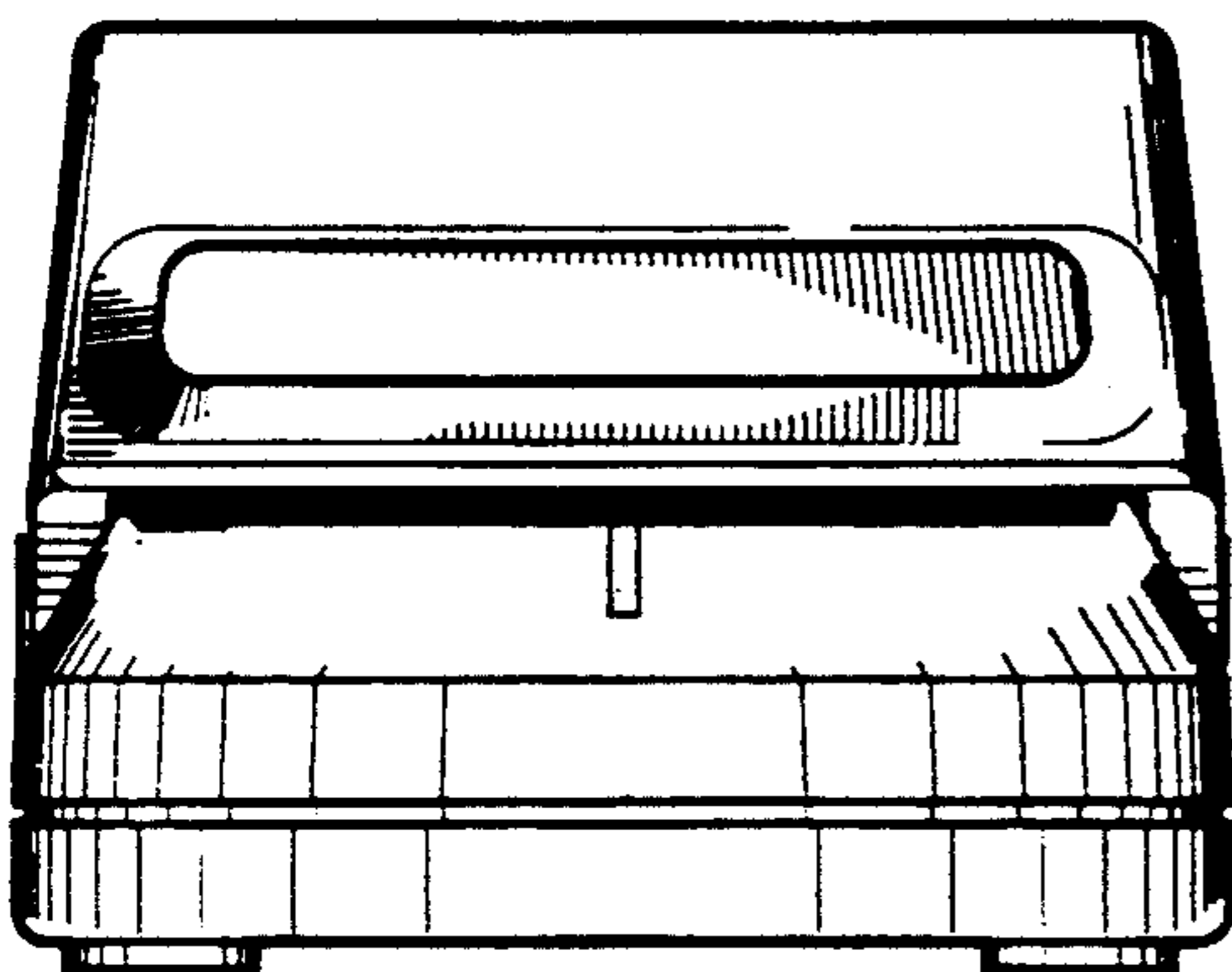


FIG. 6

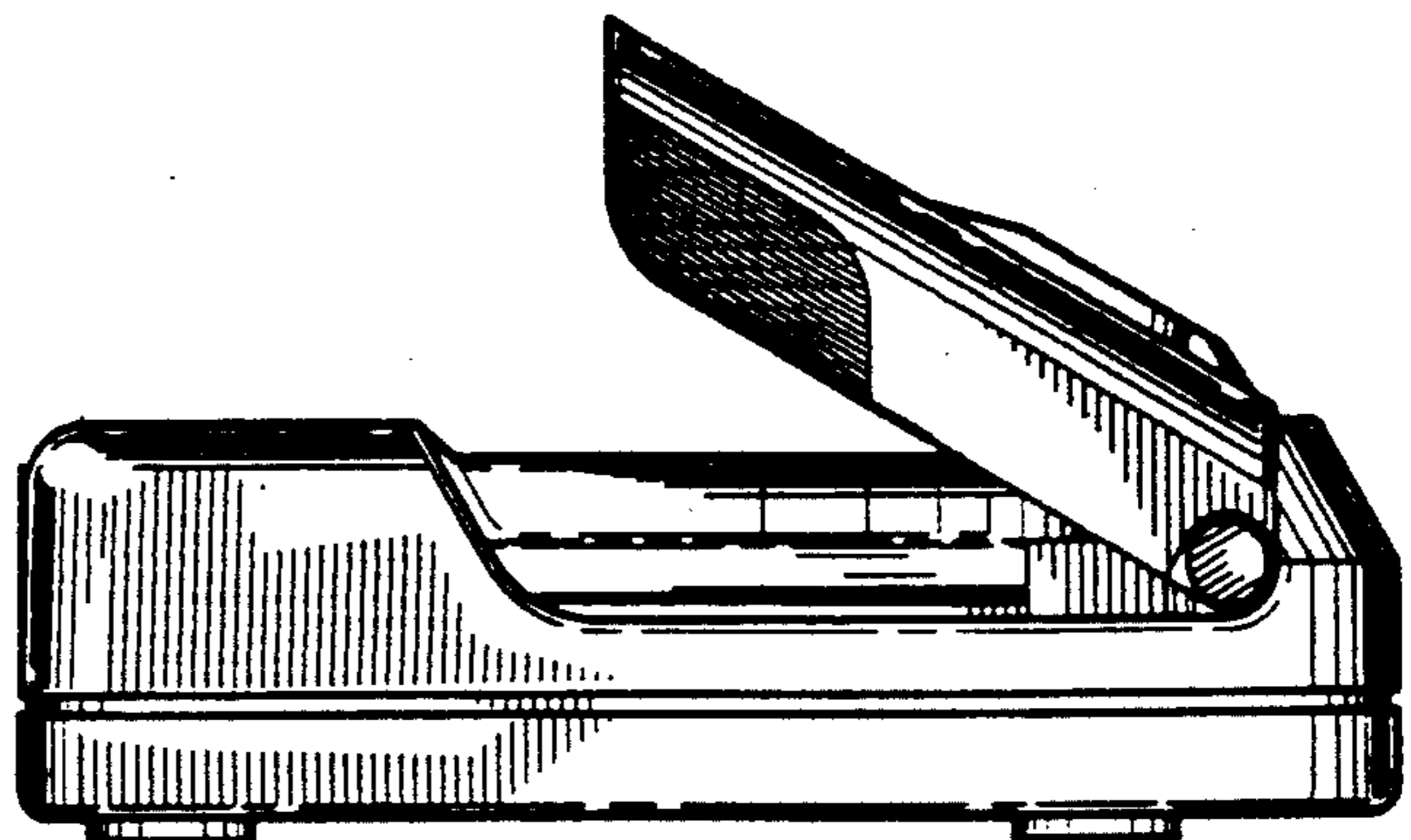


FIG. 7