



US00D348418S

United States Patent [19]
White-Wexler et al.

[11] **Patent Number: Des. 348,418**
[45] **Date of Patent: ** Jul. 5, 1994**

- [54] **DECORATIVE PLANTER**
- [76] **Inventors: Kimberly L. White-Wexler; Richard T. Wexler, both of 590 Berkley St., Berkley, Mass. 02779**
- [**] **Term: 14 Years**
- [21] **Appl. No.: 11,889**
- [22] **Filed: Aug. 17, 1993**
- [52] **U.S. Cl. D11/155**
- [58] **Field of Search D11/143, 153, 155; D19/77, 78**

Primary Examiner—Alan P. Douglas
Assistant Examiner—S. Snapp
Attorney, Agent, or Firm—Cesari and McKenna

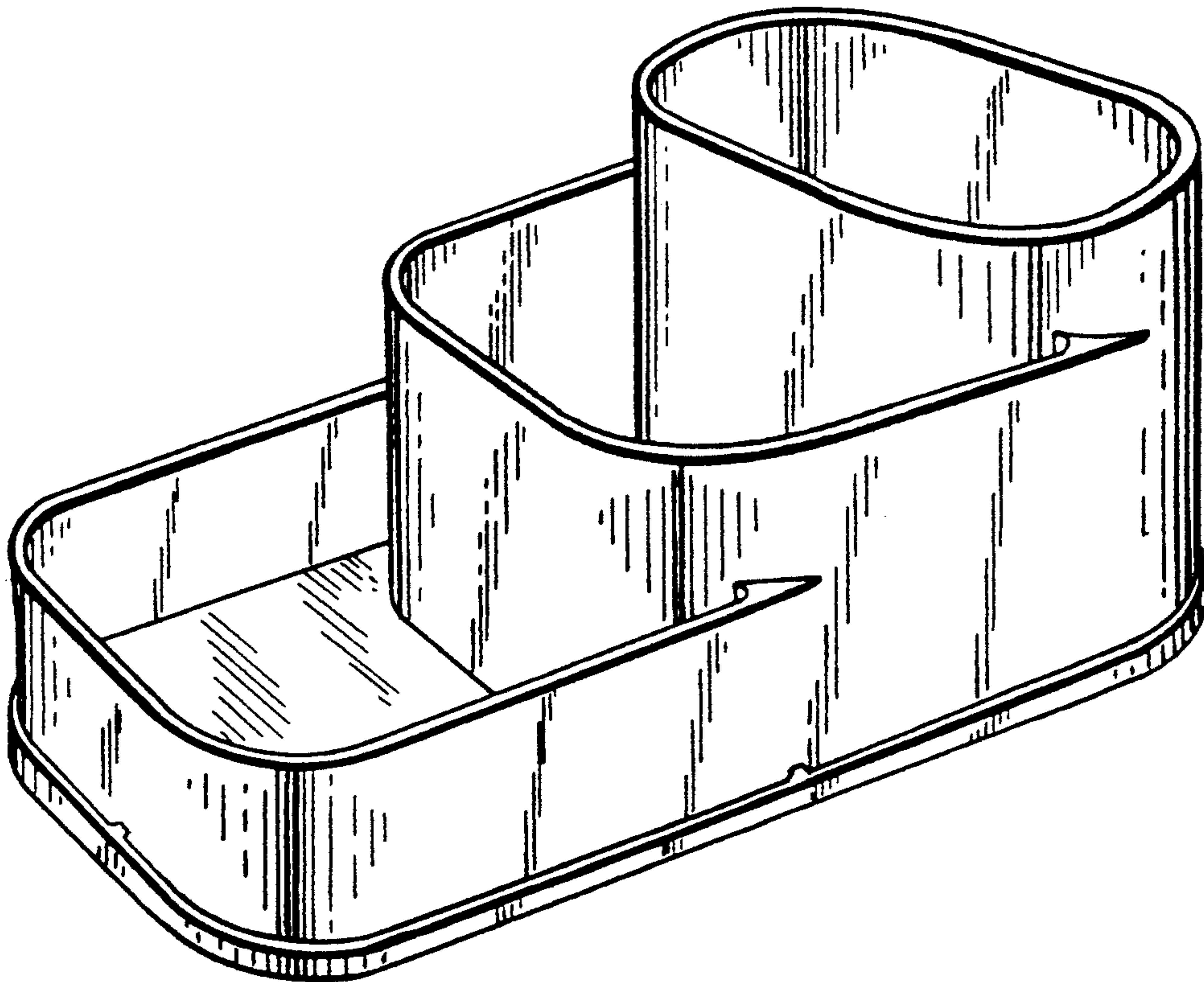
[57] **CLAIM**

The ornamental design for a decorative planter, as shown.

DESCRIPTION

FIG. 1 is a top, front and left-side perspective view of a decorative planter incorporating our design; FIG. 2 is an enlarged, front elevational view thereof; FIG. 3 is an enlarged, right-side elevational view thereof, the left-side elevational view being a mirror image; FIG. 4 is an enlarged top plan view thereof; FIG. 5 is an enlarged rear elevational view thereof; FIG. 6 is a bottom view thereof; and, FIG. 7 is a sectional view thereof taken along line VII-VII of FIG. 4.

- [56] **References Cited**
- U.S. PATENT DOCUMENTS**
- D. 111,522 9/1938 Preston D6/556
- D. 155,124 9/1949 Carver D19/77 X
- D. 270,256 8/1983 Sankey D19/77
- D. 317,178 5/1991 Kheng D19/77 X
- D. 332,631 1/1993 Klodt D19/77 X



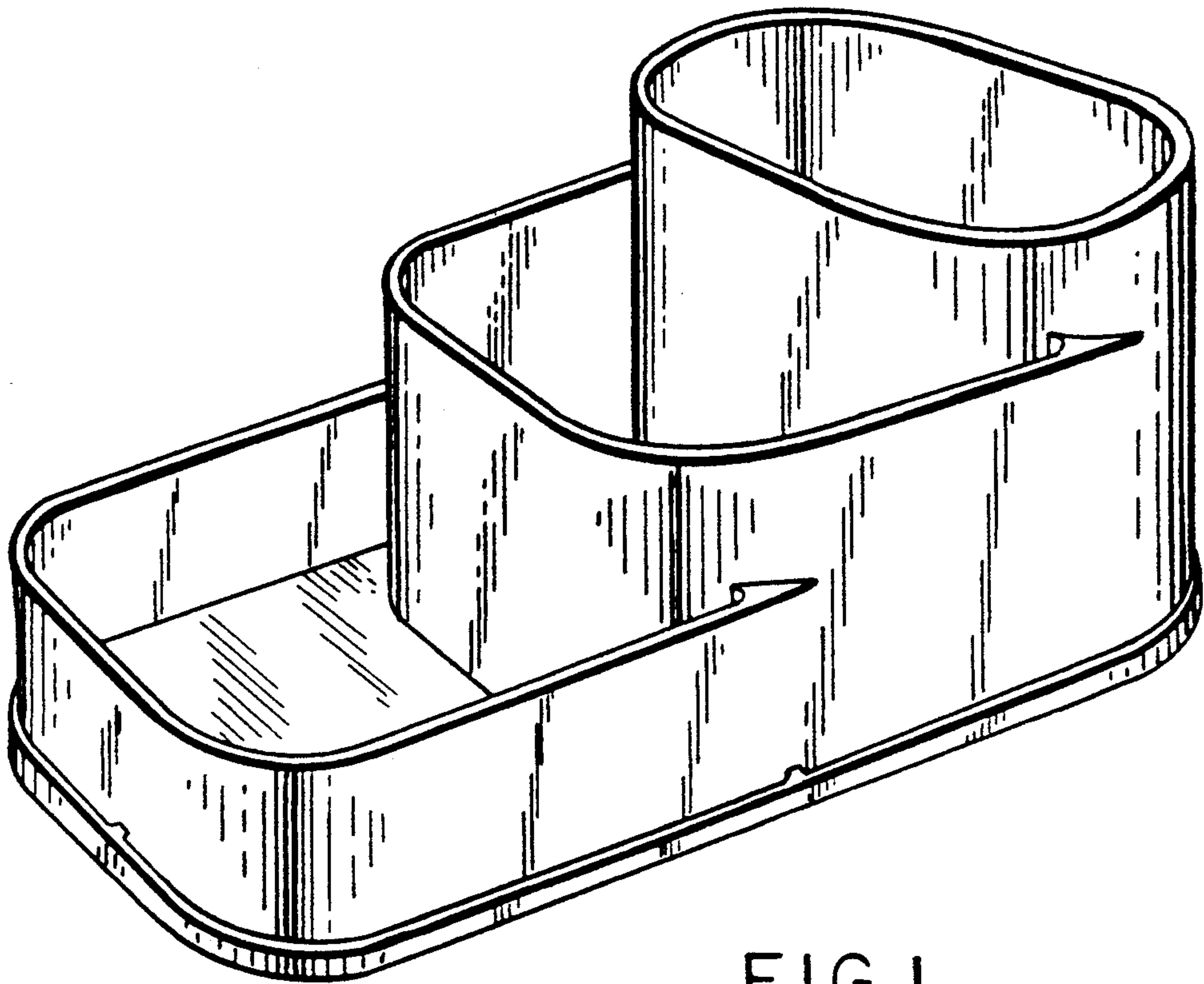


FIG. 1

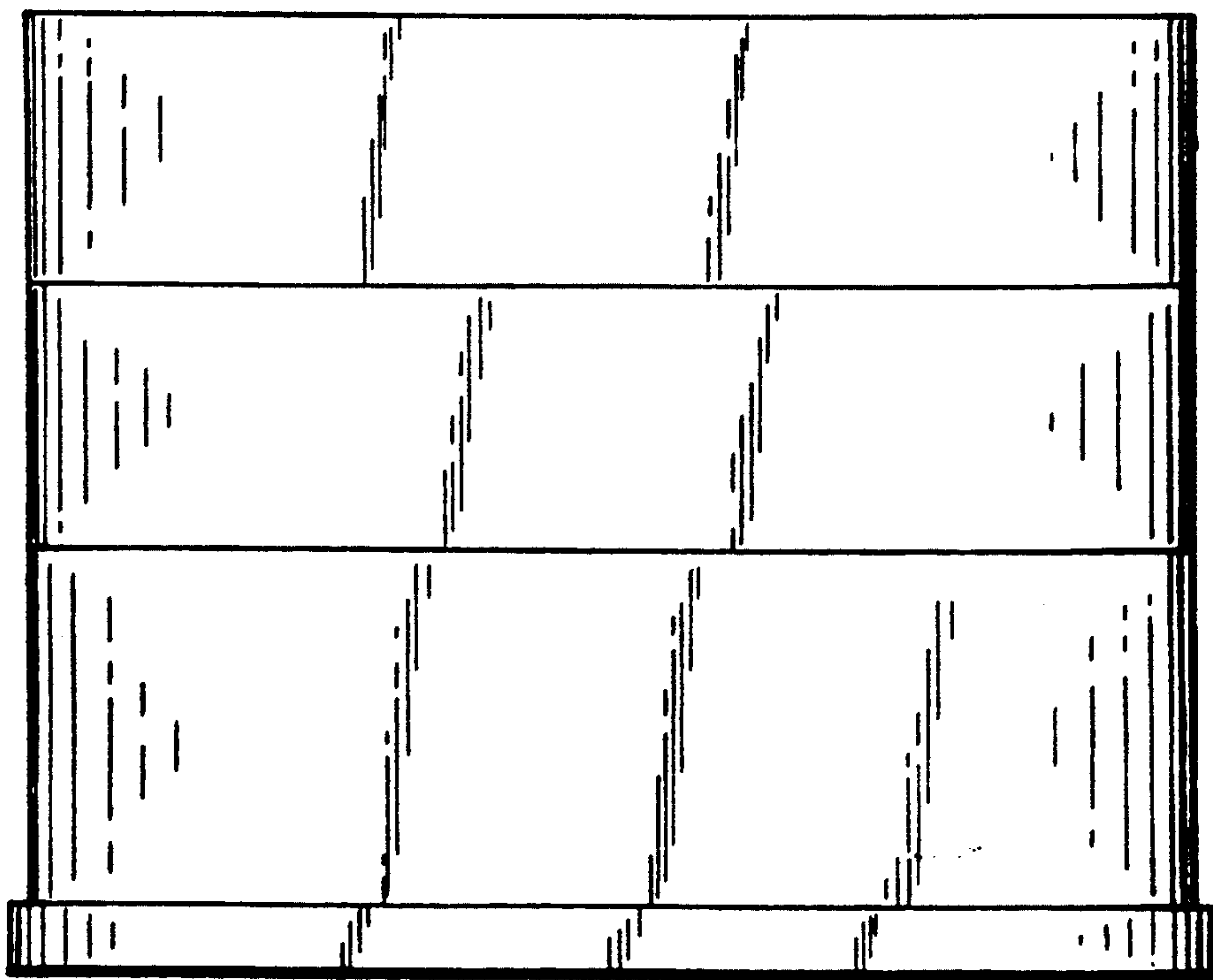


FIG. 2

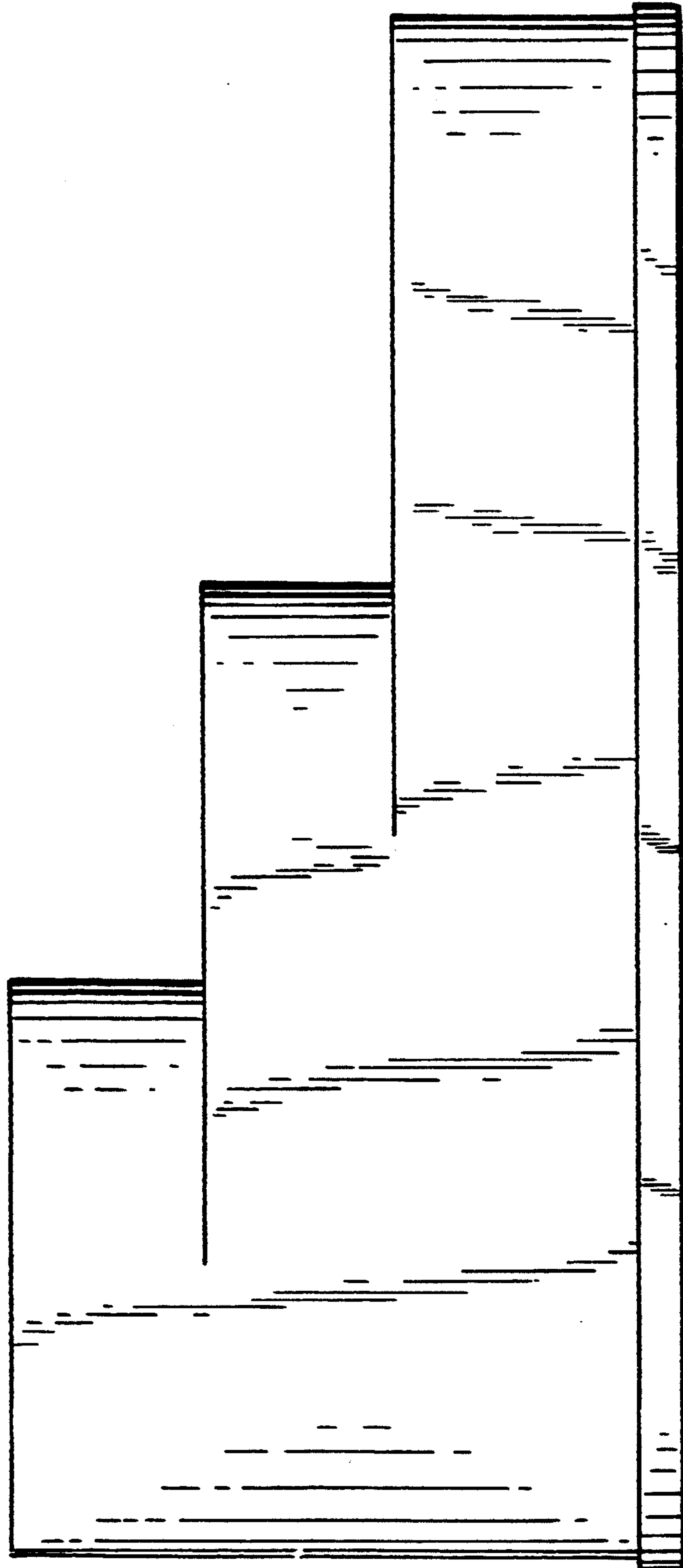


FIG. 3

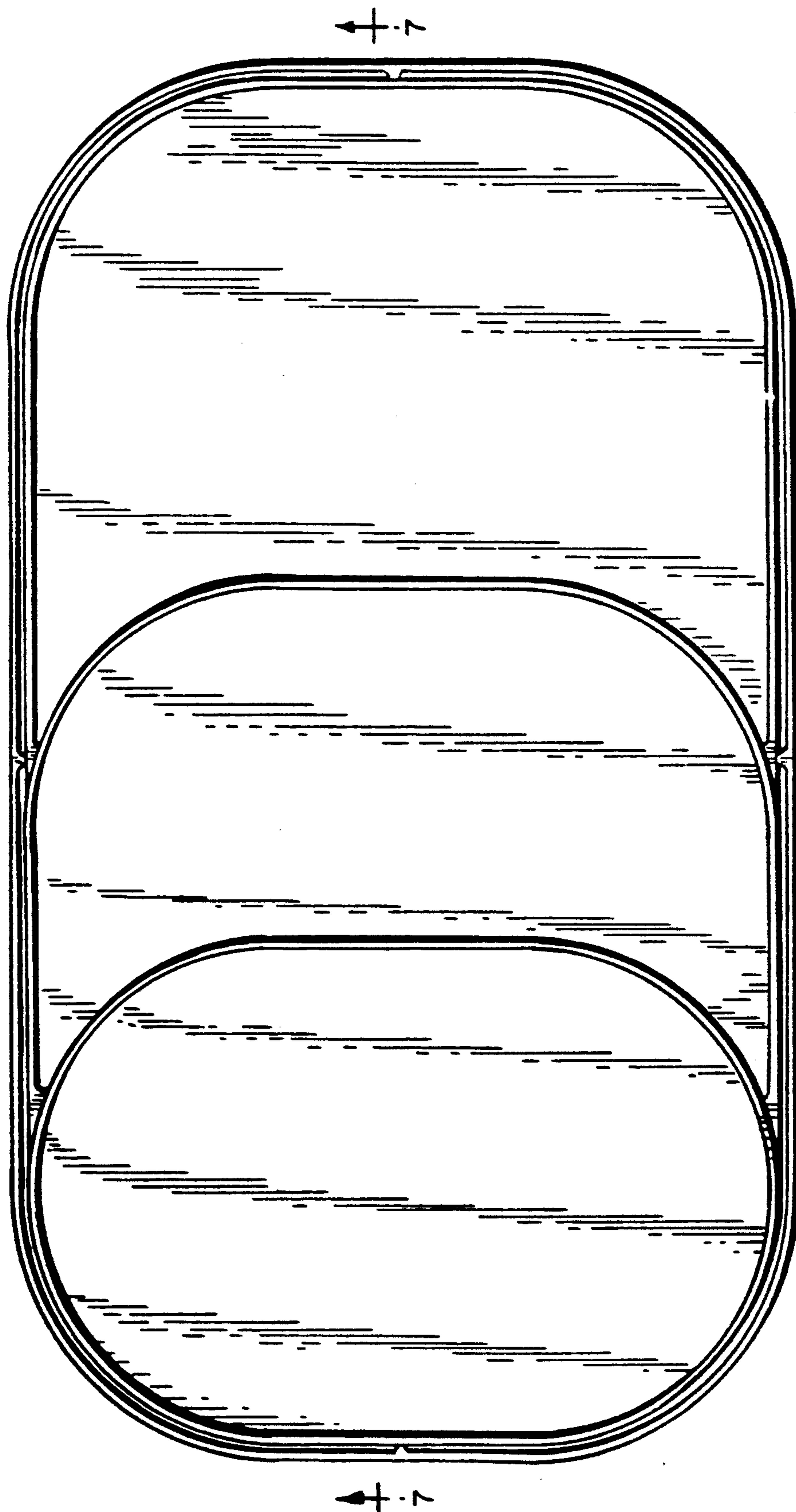


FIG. 4

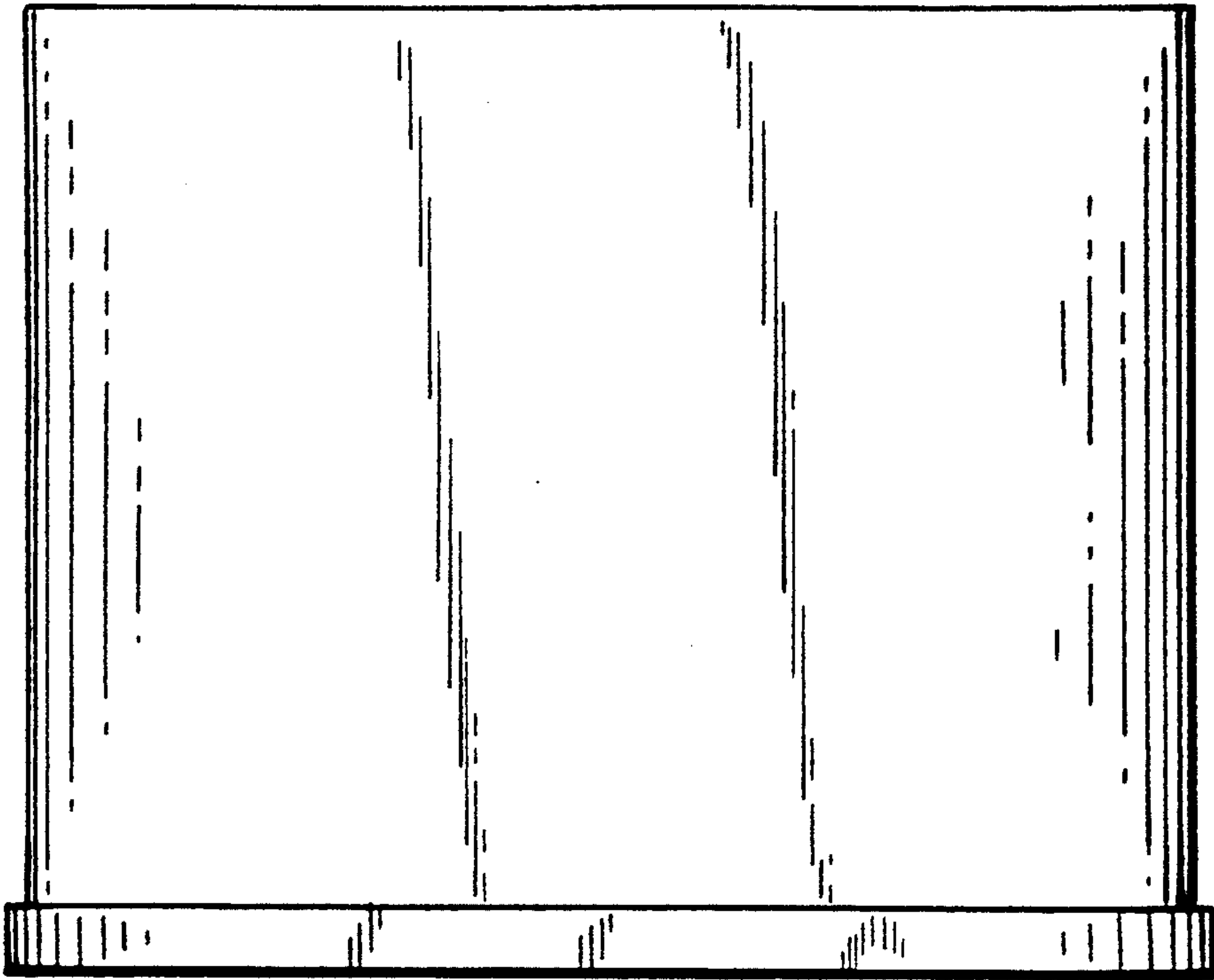


FIG. 5

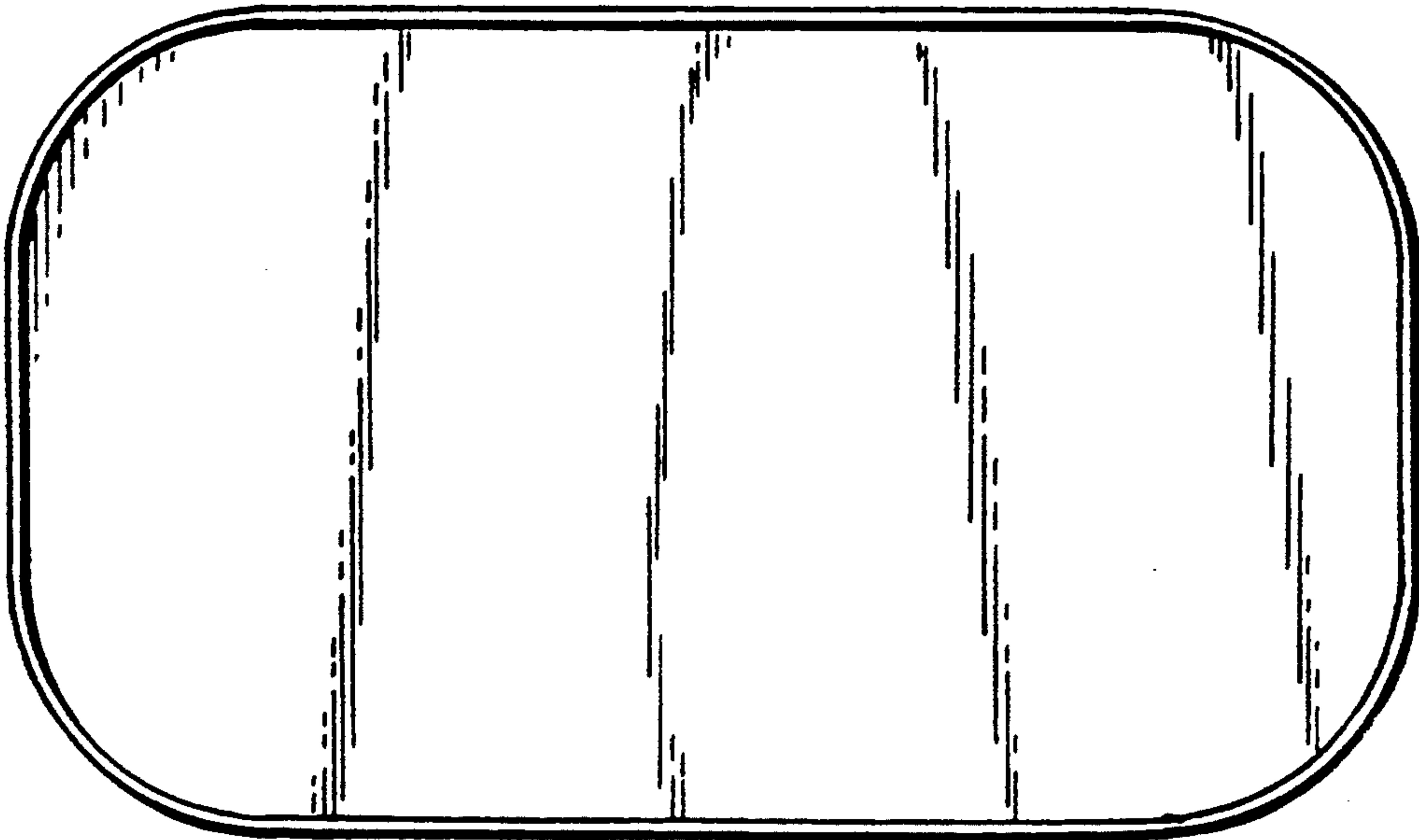


FIG. 6

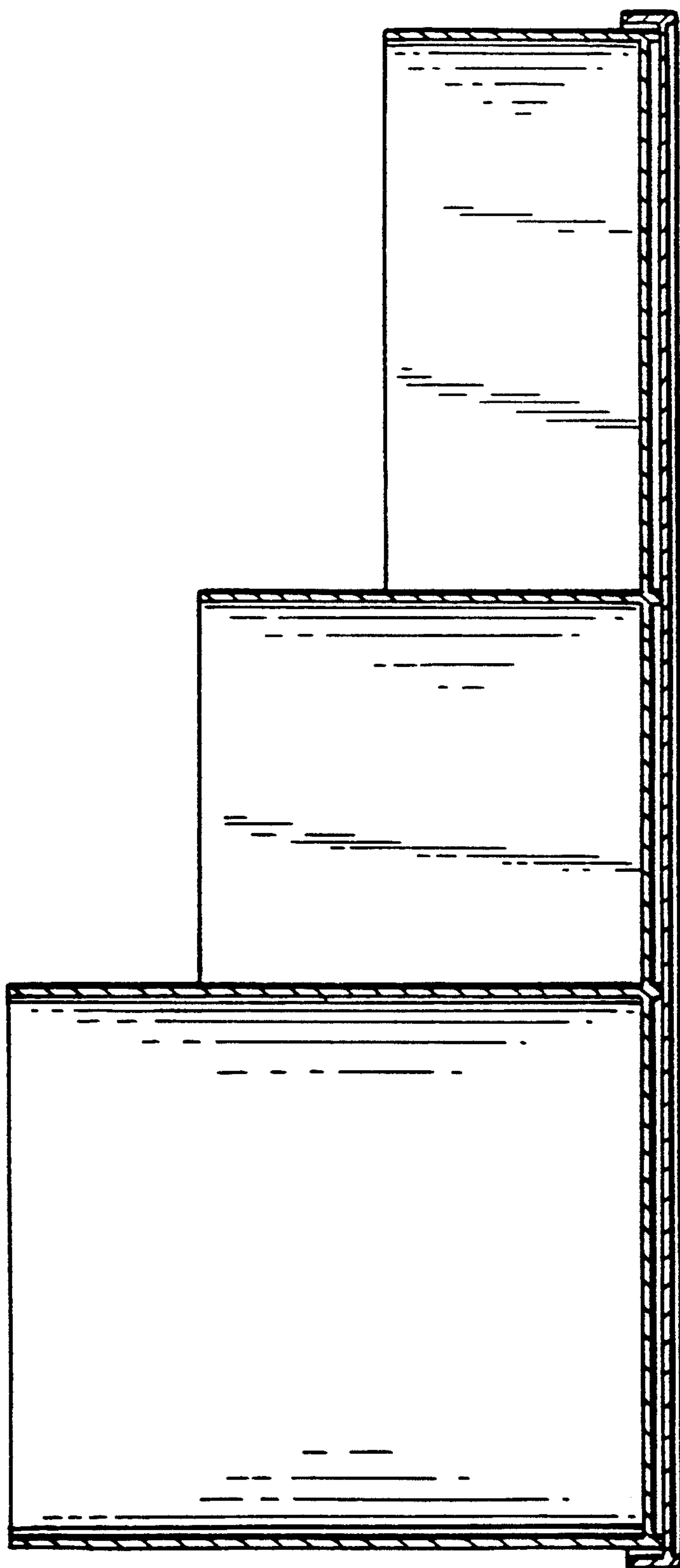


FIG. 7