



US00D348407S

United States Patent [19] Meyer

[11] Patent Number: **Des. 348,407**
[45] Date of Patent: **** Jul. 5, 1994**

[54] **MEASURING CALIPER**

5,074,054 12/1991 Bower 33/810 X

[76] Inventor: **Hans Meyer, 24, Rue du Bugnon,
1020 Renens, Switzerland**

Primary Examiner—Alan P. Douglas
Assistant Examiner—Antoine Davis
Attorney, Agent, or Firm—Young & Thompson

[**] Term: **14 Years**

[21] Appl. No.: **7,321**

[57] **CLAIM**

[22] Filed: **Apr. 16, 1993**

The ornamental design for a measuring caliper, as shown and described.

[30] **Foreign Application Priority Data**

DESCRIPTION

Oct. 16, 1992 [WO] World Int. Prop. O. DM/024159

[52] U.S. Cl. **D10/73**

[58] Field of Search 33/791-832;
D10/73

FIG. 1 is a side elevational view of a measuring caliper showing my new design;

FIG. 2 is a view thereof from the side opposite that shown in FIG. 1;

FIG. 3 is a side elevational view thereof from the right of FIG. 1;

FIG. 4 is a side elevational view thereof from the left of FIG. 1;

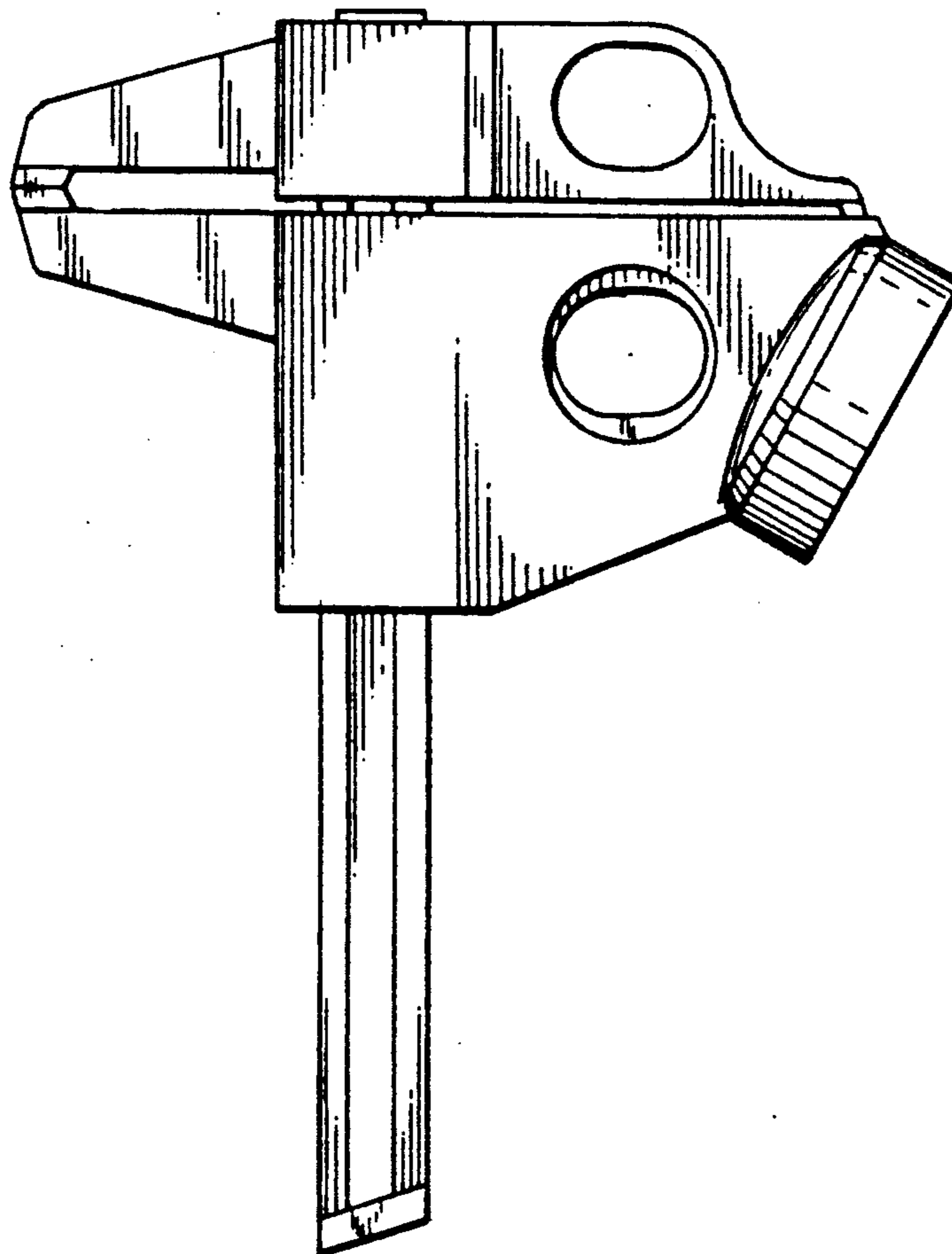
FIG. 5 is a view similar to FIG. 4 but rotated 90° about a horizontal axis lying in the plane of FIG. 4; and,

FIG. 6 is a view similar to FIG. 3 but rotated 90° about a horizontal axis lying in the plane of FIG. 3.

[56] **References Cited**

U.S. PATENT DOCUMENTS

D. 334,719	4/1993	Yeo	D10/73
23,564	4/1859	Gould	33/795
1,606,475	11/1926	Kute	33/797
4,236,481	12/1980	Nakaya et al.	33/795 X
4,525,931	7/1985	Wilkins	33/795



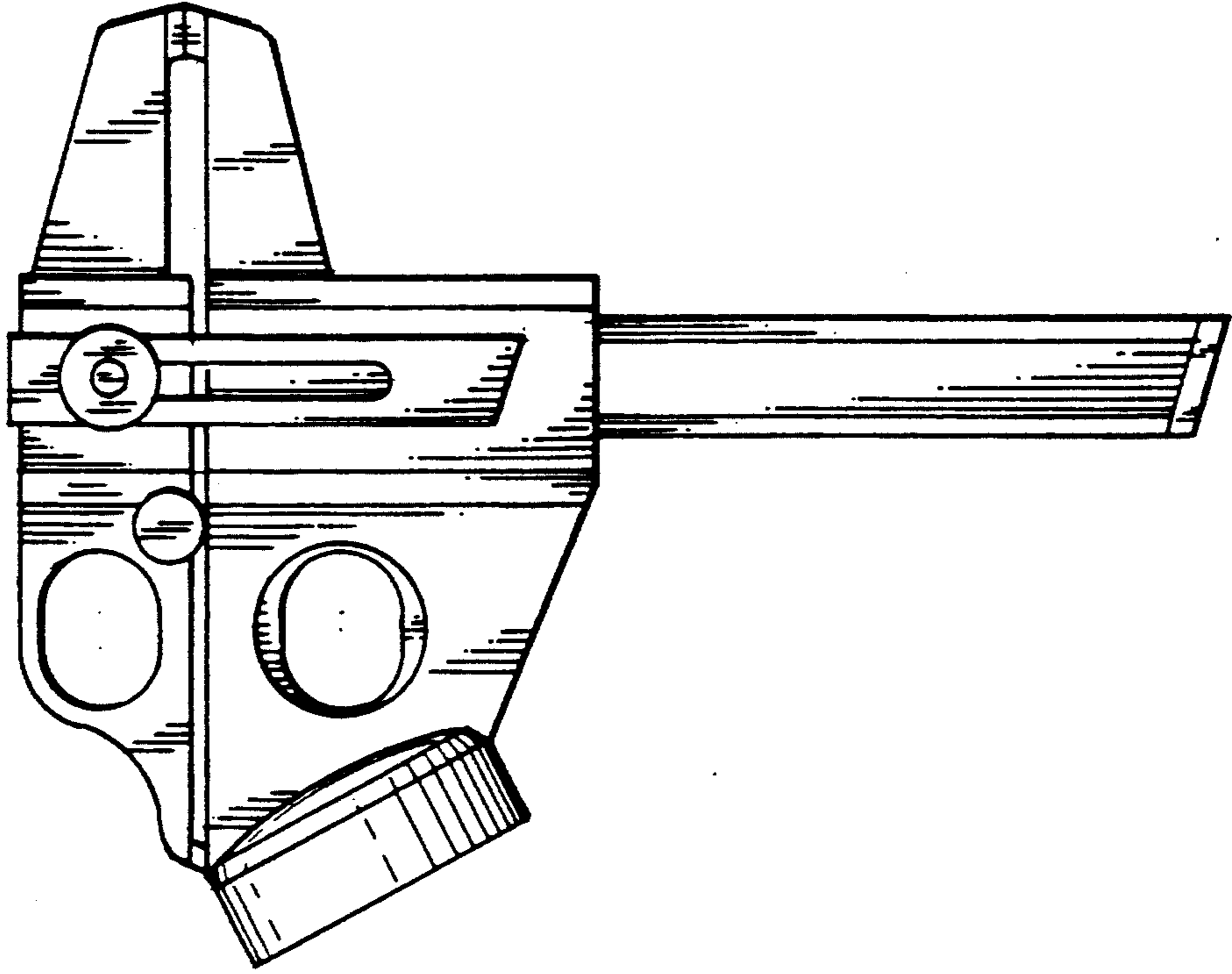


FIG. 2

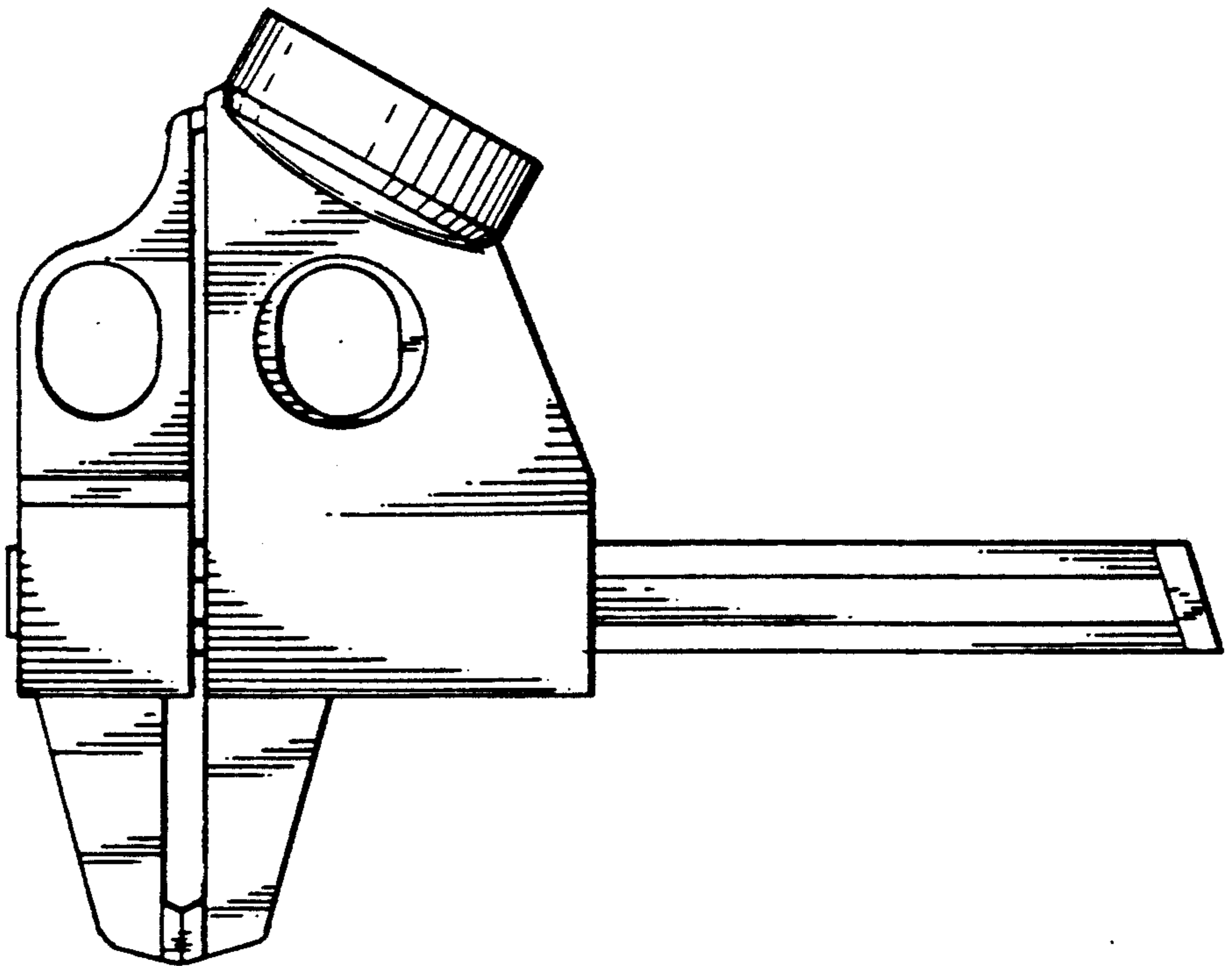


FIG. 1

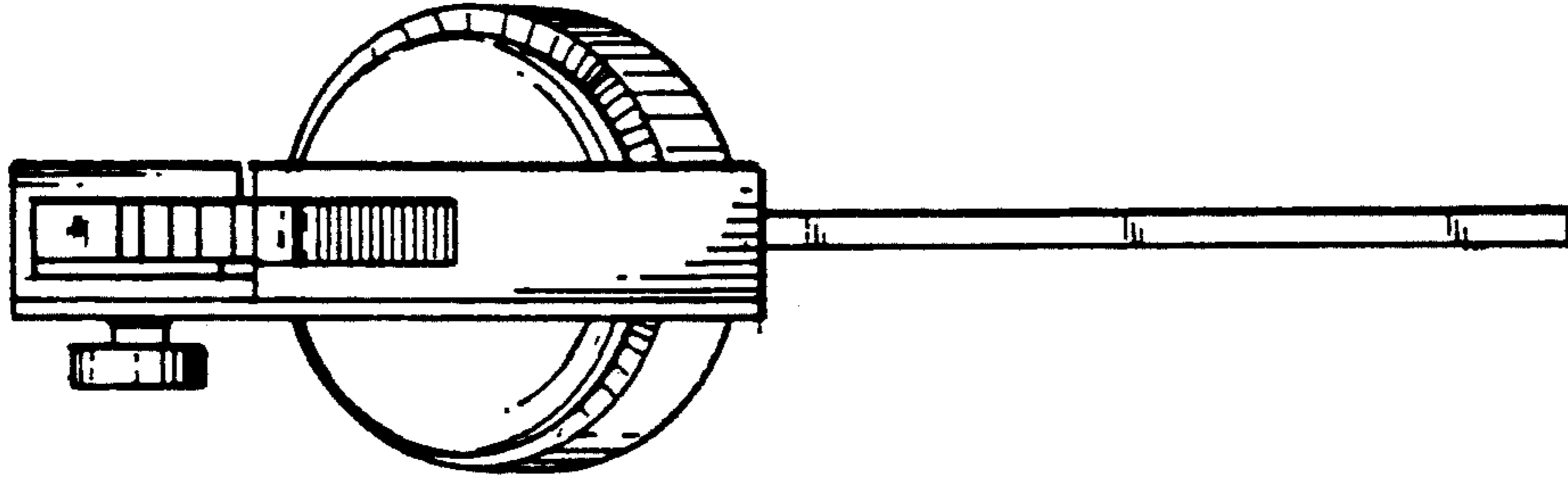


FIG. 4

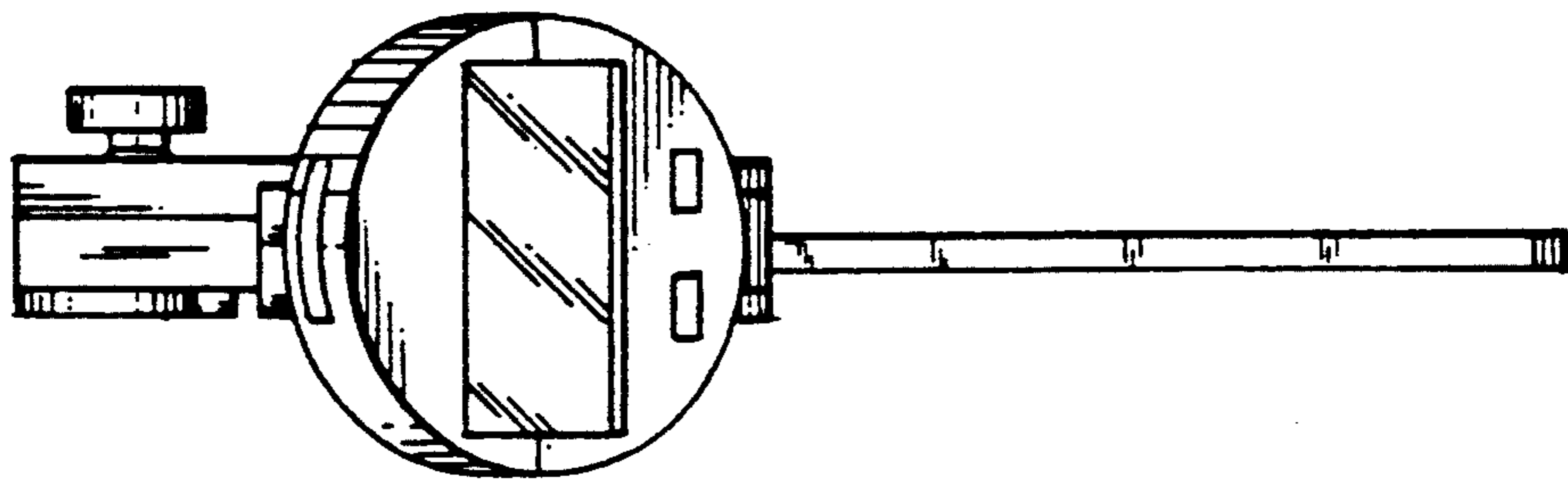


FIG. 3

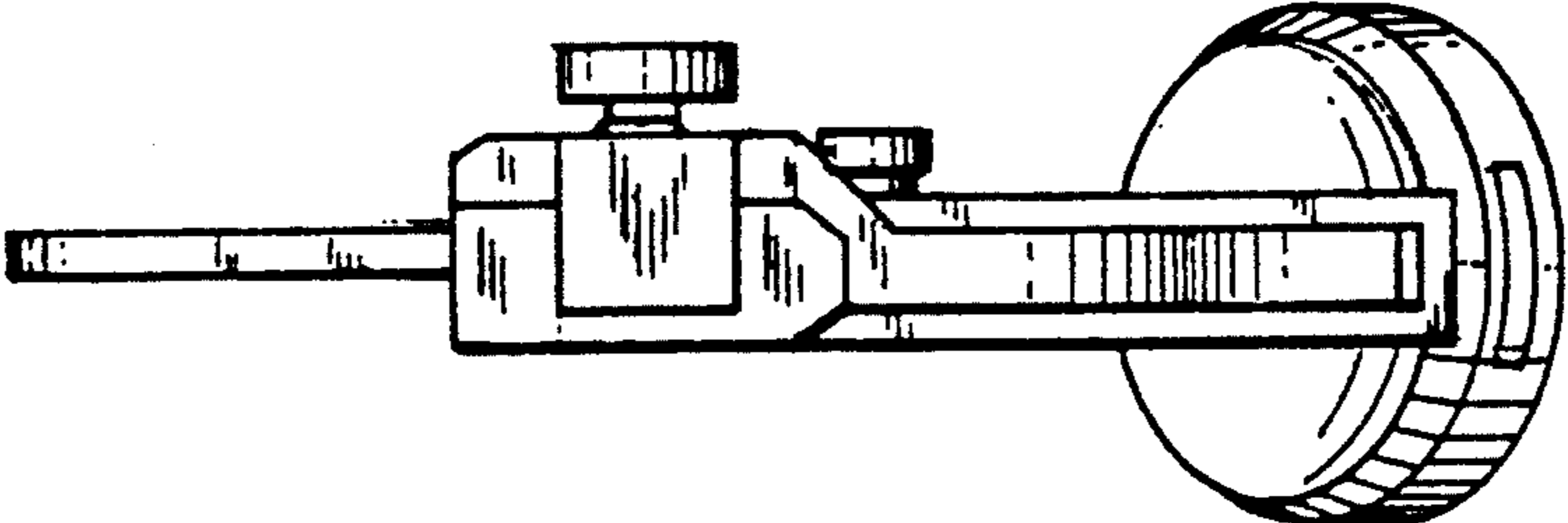


FIG. 5

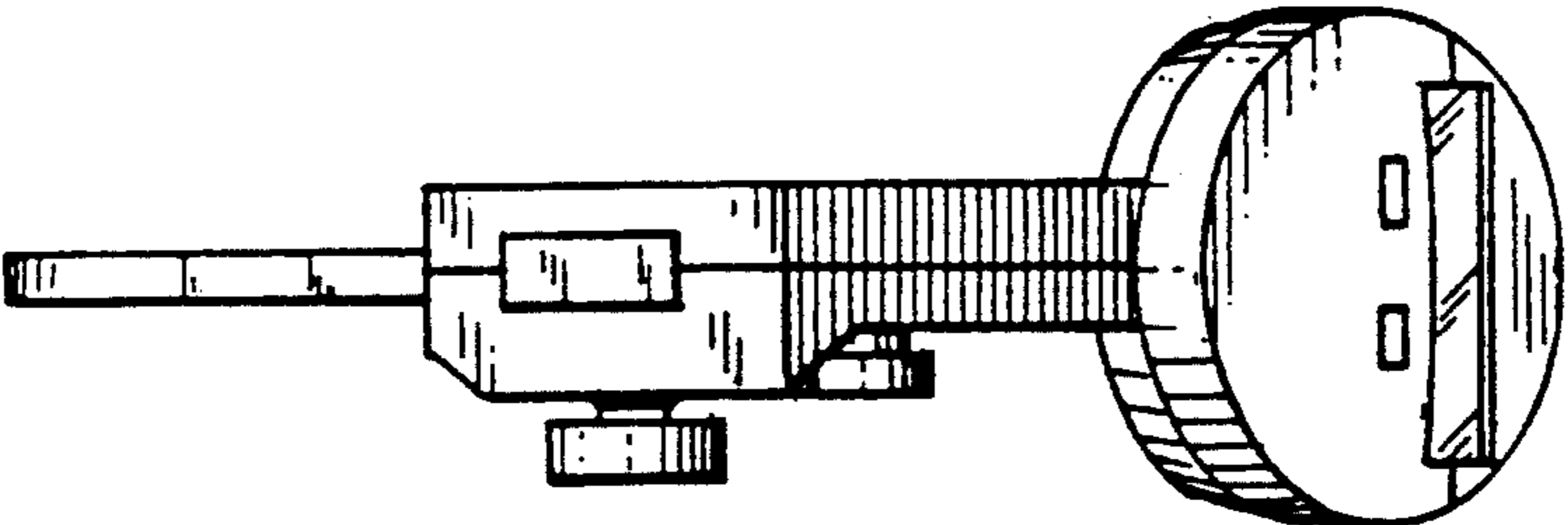


FIG. 6