



US00D348405S

United States Patent [19]

[11] Patent Number: **Des. 348,405**

Storey et al.

[45] Date of Patent: **** Jul. 5, 1994**

[54] **FISH MEASURING ENCLOSURE**

5,148,607 9/1992 Lasiter 33/549

[76] Inventors: **Marilyn W. Storey**, P.O. Box 46082, Garland, Tex. 75046; **Verle F. Wright, Jr.**, Rte. 1, Box 1739, Hemphill, Tex. 75948

Primary Examiner—Alan P. Douglas
Assistant Examiner—Antoine D. Davis
Attorney, Agent, or Firm—T. D. Copeland

[**] Term: **14 Years**

[57] **CLAIM**

The ornamental design for a fish measuring enclosure, as shown and described.

[21] Appl. No.: **6,467**

DESCRIPTION

[22] Filed: **Mar. 30, 1993**

[52] U.S. Cl. **D10/70**

[58] Field of Search 33/485, 511; 43/4, 100, 43/101, 102, 103, 104, 105, 106; 119/3, 5, 61, 62, 63, 51.04, 51.12; D10/64, 70; D80/105, 121, 131

FIG. 1 is perspective view of this fish measuring enclosure, in a horizontal position;
FIG. 2 is a left side vertical view of the device of FIG. 1;
FIG. 3 is a top plan view of the device of FIGS. 1 and 2;
FIG. 4 is a right side vertical view of the device of FIGS. 1-3;
FIG. 5 is a rear view of the device of FIGS. 1-4;
FIG. 6 is a front view of the device of FIGS. 1-5; and,
FIG. 7 is a bottom plan view of the fish measuring enclosure device of FIGS. 1-6.

[56] **References Cited**

U.S. PATENT DOCUMENTS

D. 292,539	10/1987	Harlow, Jr. et al.	D99/29
D. 337,062	7/1993	Sanders	D10/70
3,259,988	7/1966	Lunn	33/169
5,097,617	3/1992	Craven	43/4

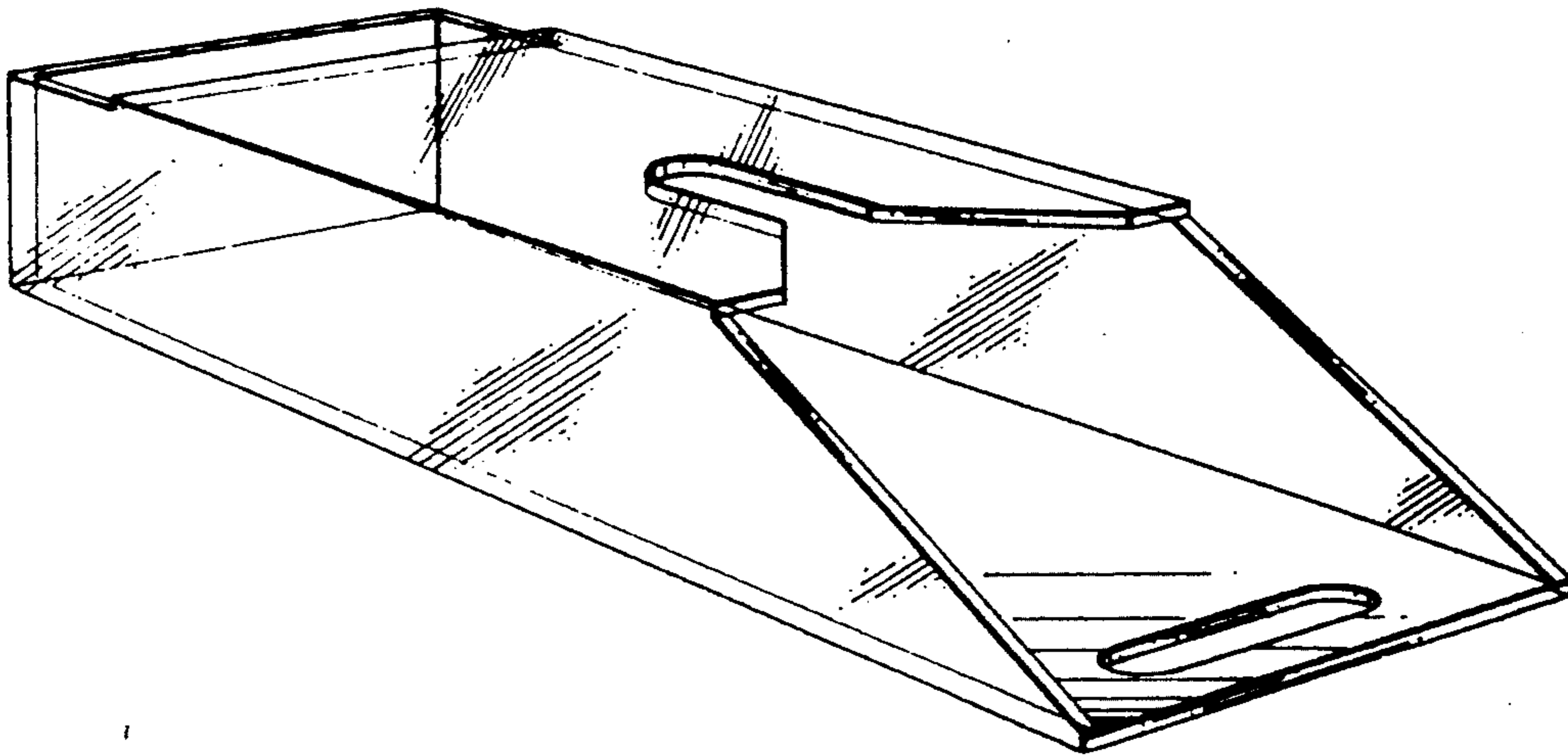


FIG. 1

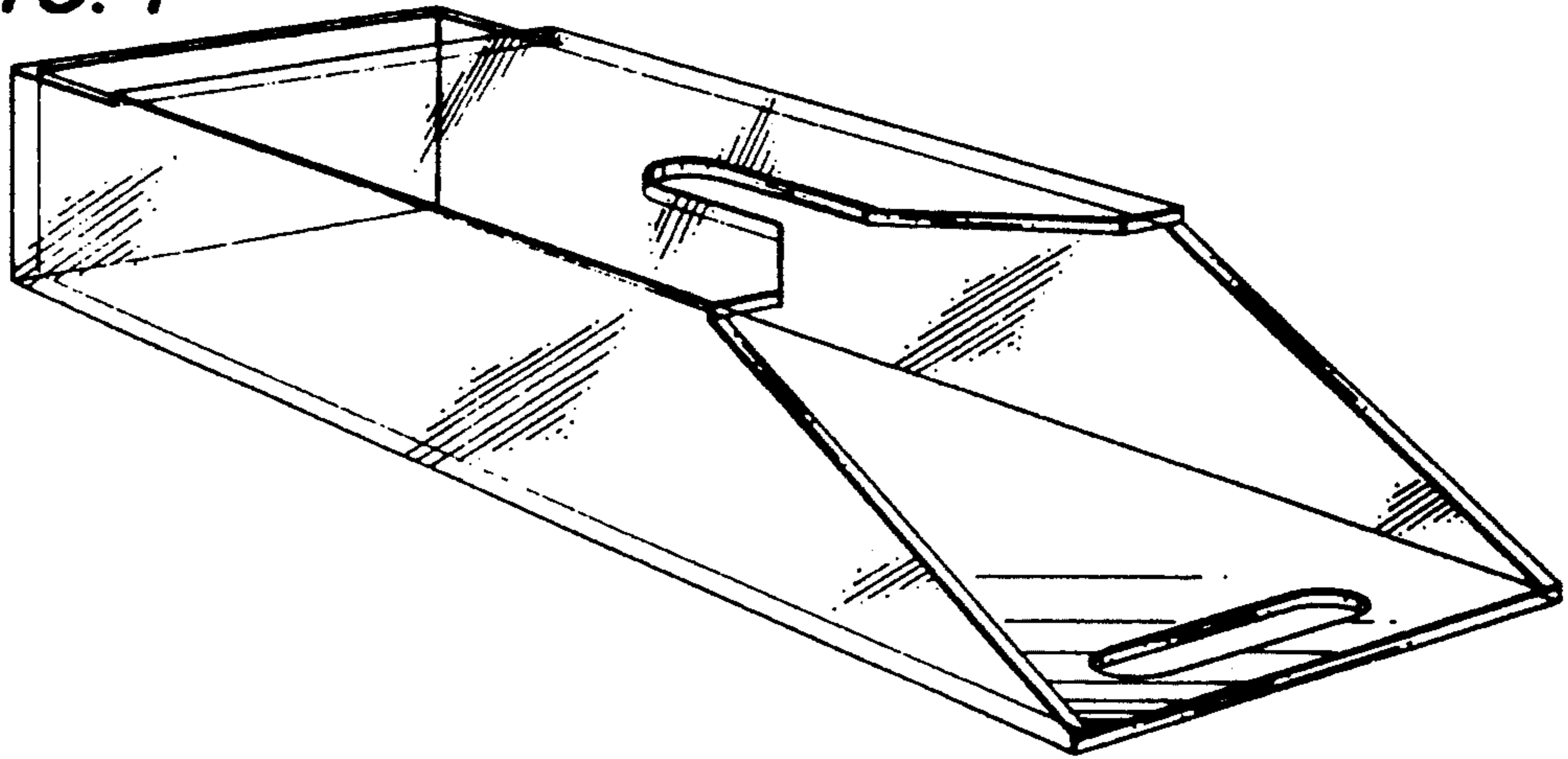


FIG. 2

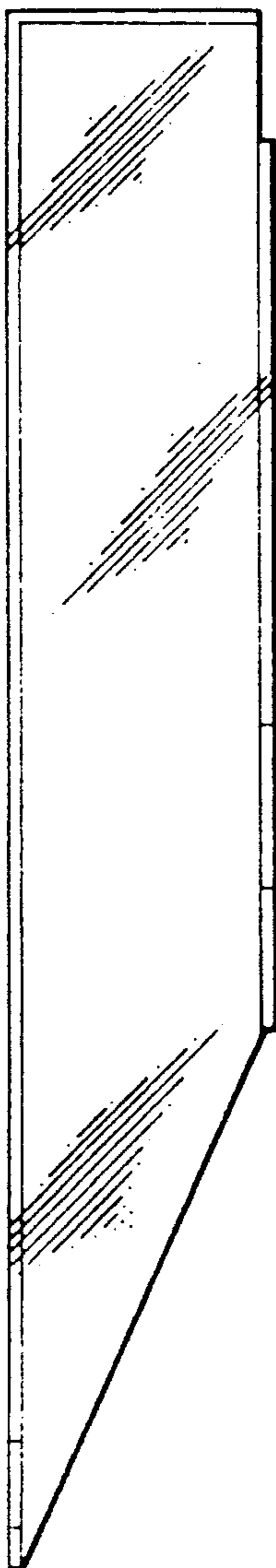


FIG. 3

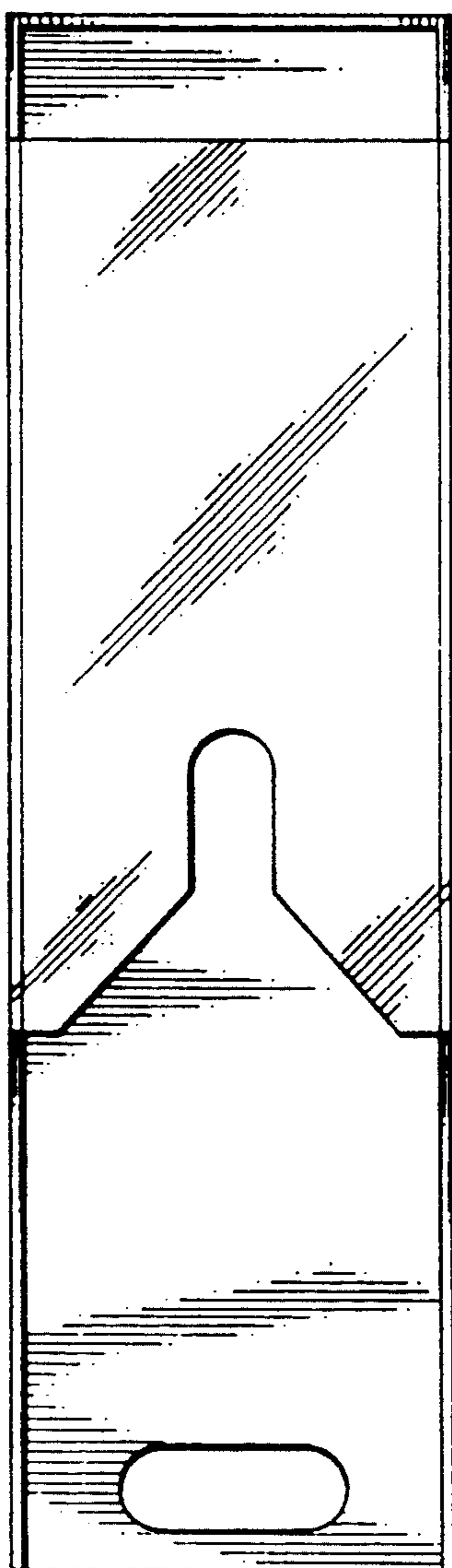


FIG. 4

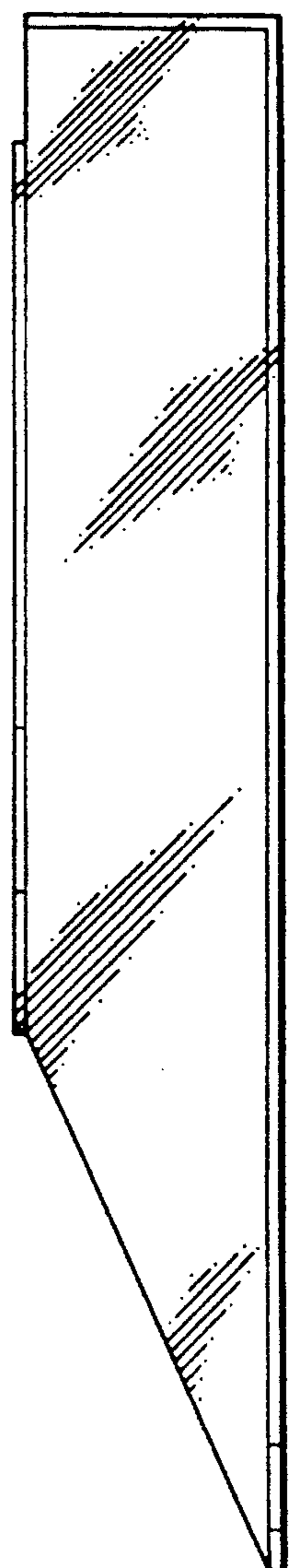


FIG. 5

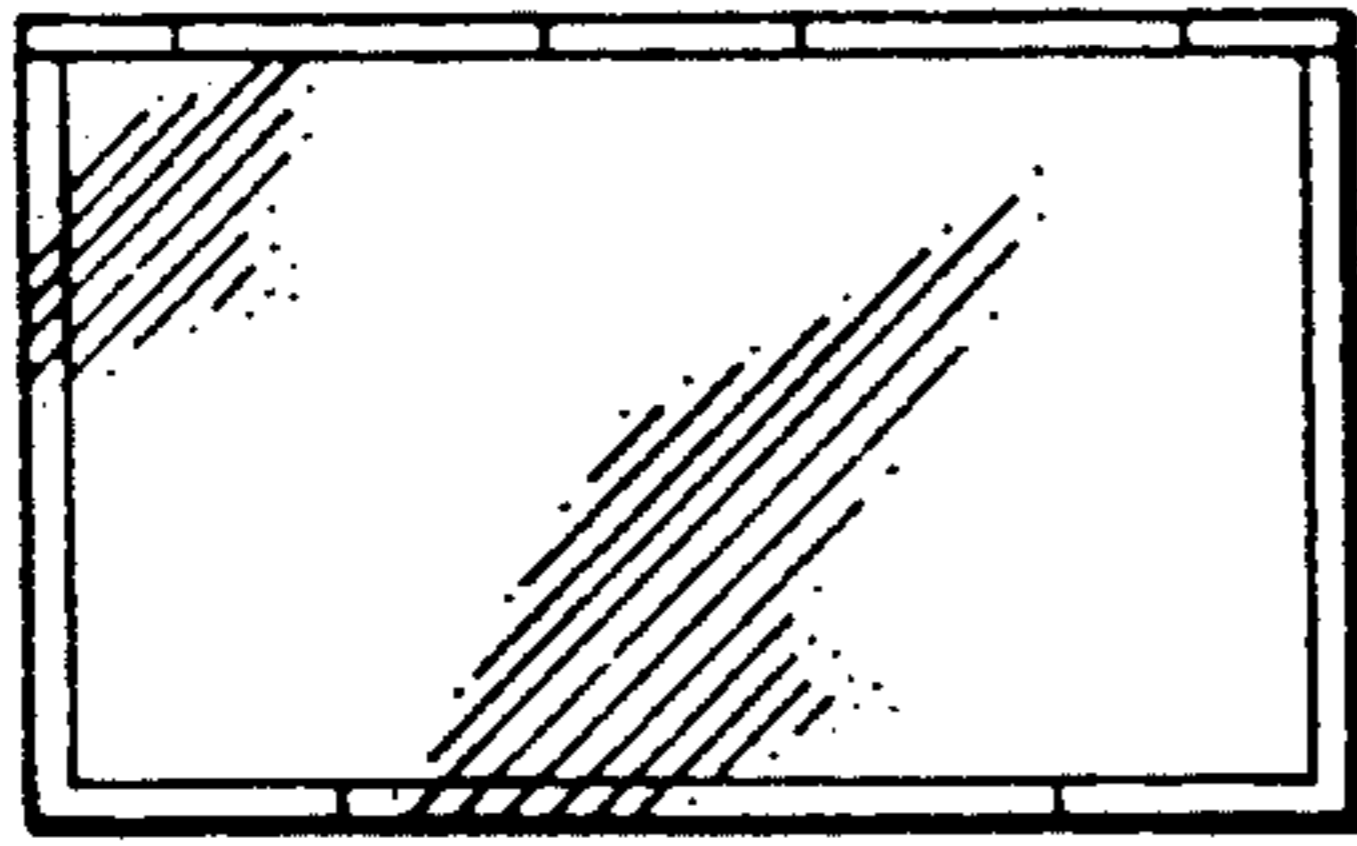


FIG. 6

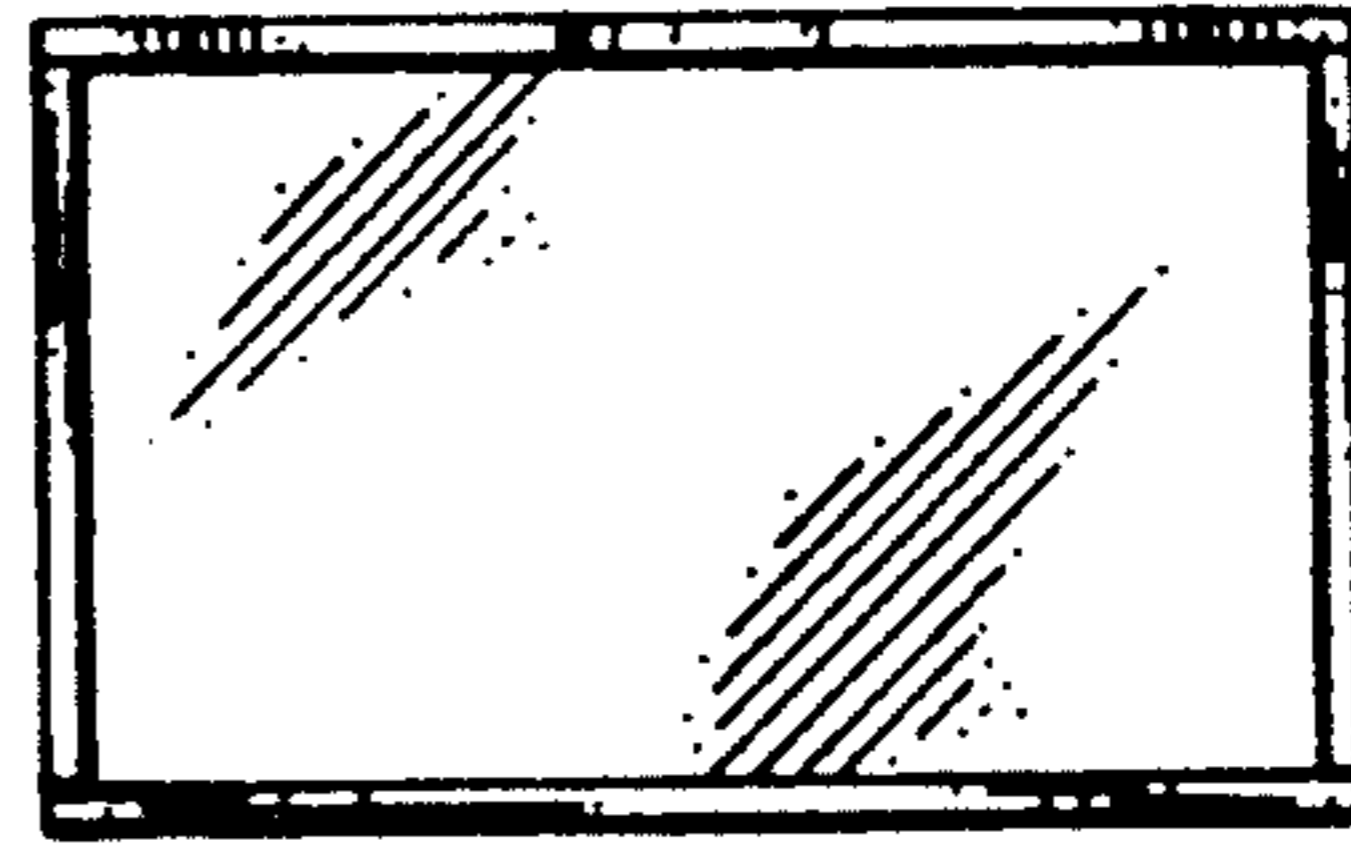


FIG. 7

