



US00D348401S

United States Patent [19] Riley

[11] Patent Number: **Des. 348,401**
[45] Date of Patent: **** Jul. 5, 1994**

[54] COMBINATION ANALOG AND DIGITAL
WRISTWATCH CASE

[75] Inventor: **Judith R. Riley**, Goshen, Conn.

[73] Assignee: **Timex Corporation**, Middlebury,
Conn.

[**] Term: **14 Years**

[21] Appl. No.: **948,698**

[22] Filed: **Sep. 11, 1992**

[52] U.S. Cl. **D10/30; D10/38**

[58] Field of Search **368/280-282,**
368/285, 82-84, 239-242, 276-277; D10/1-40,
122-132

[56] **References Cited**

U.S. PATENT DOCUMENTS

D. 297,817	9/1988	Guan	D10/30
D. 323,786	2/1992	Ishizaka	D10/30
D. 327,441	6/1992	Yamamoto	D10/38
D. 336,616	6/1993	Gueit	D10/39

OTHER PUBLICATIONS

Hong Kong Enterprise-Jul. 1988, p. 403-Watches on top row.

Swiss Watch & Jewelry Journal-Feb. 1989-p. 345-Watch at bottom right.

Jeweler's Circular-Keystone-Oct. 1985-p. 126-Watch at top right.

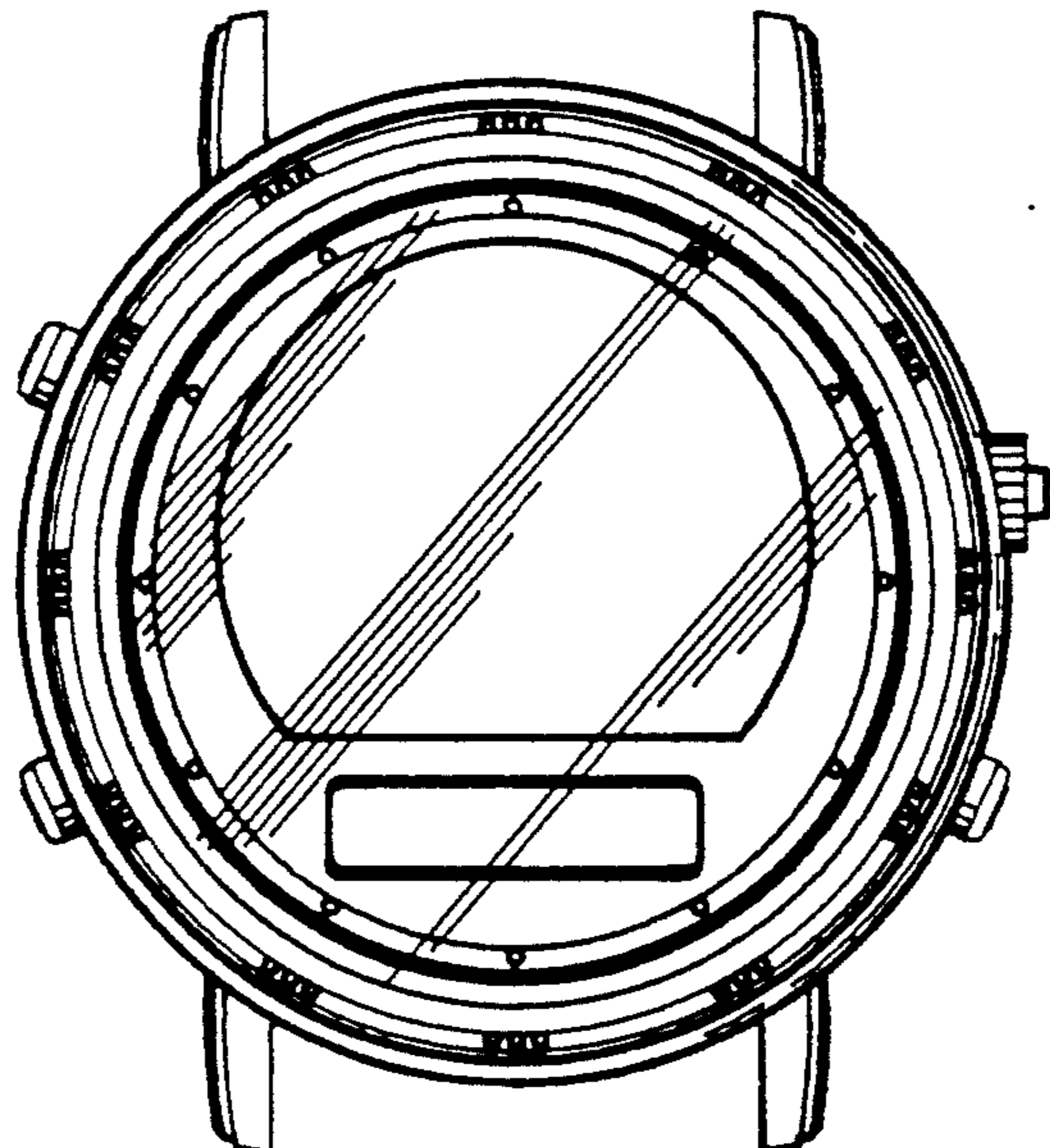
Primary Examiner-Nelson C. Holtje
Attorney, Agent, or Firm-William C. Crutcher

[57] **CLAIM**

The ornamental design for a combination analog and digital wristwatch case, as shown and described.

DESCRIPTION

FIG. 1 is a top plan view of my improved combination analog digital wristwatch case;
FIG. 2 is a left side elevational view thereof;
FIG. 3 is a right side elevational view thereof;
FIG. 4 is an inverted rear end elevational view thereof;
FIG. 5 is a front end elevational view thereof;
FIG. 6 is a bottom plan view thereof; and,
FIG. 7 is an enlarged fragmentary view thereof as taken from line 7-7 of FIG. 1.



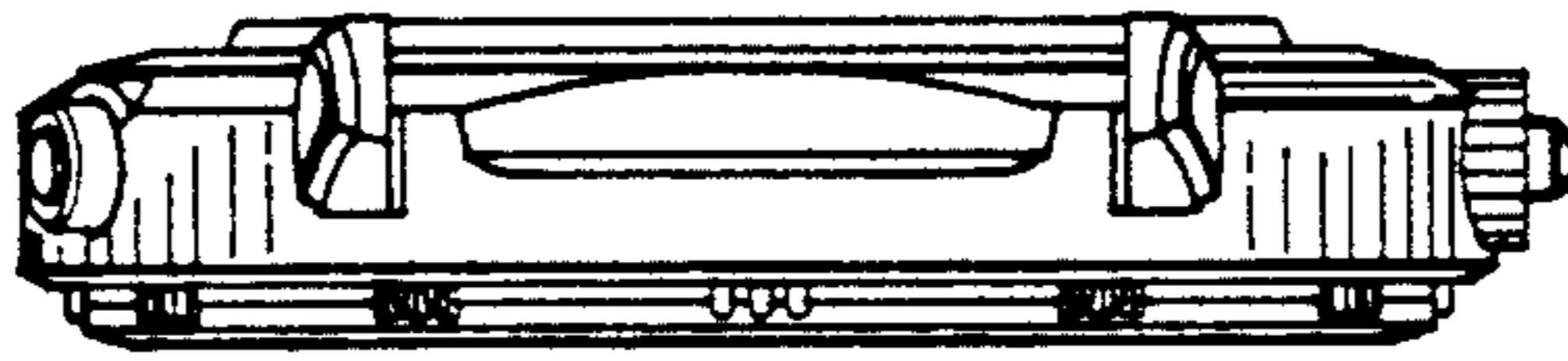


Fig. 4

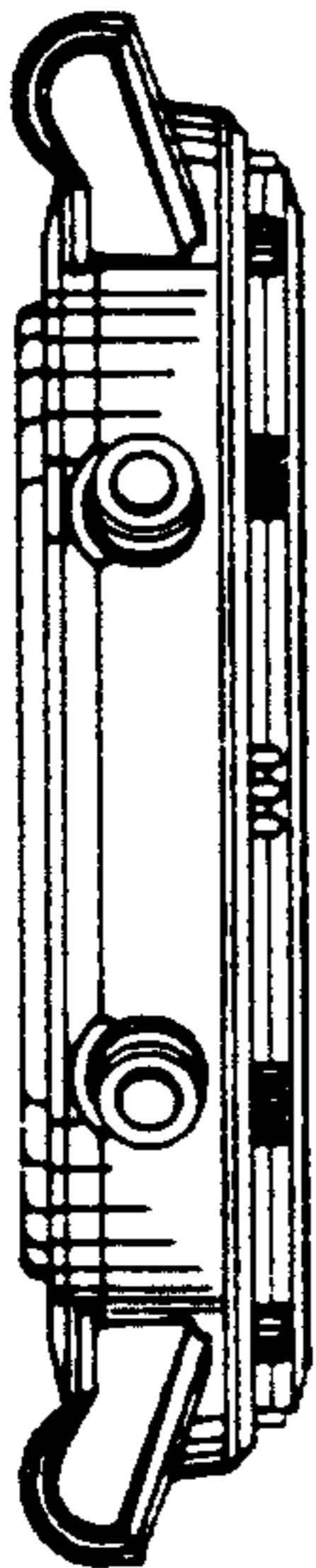


Fig. 2

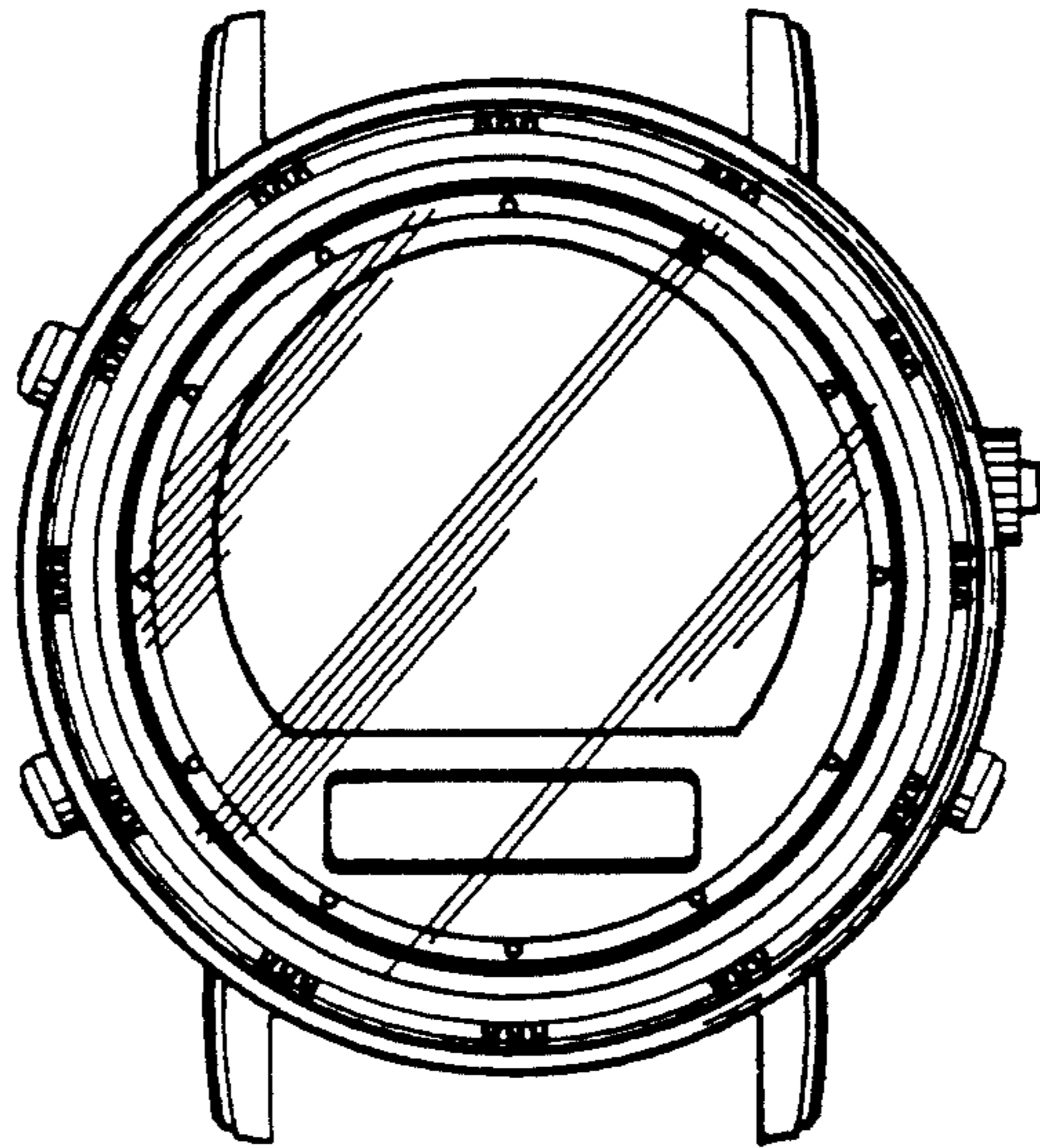


Fig. 1

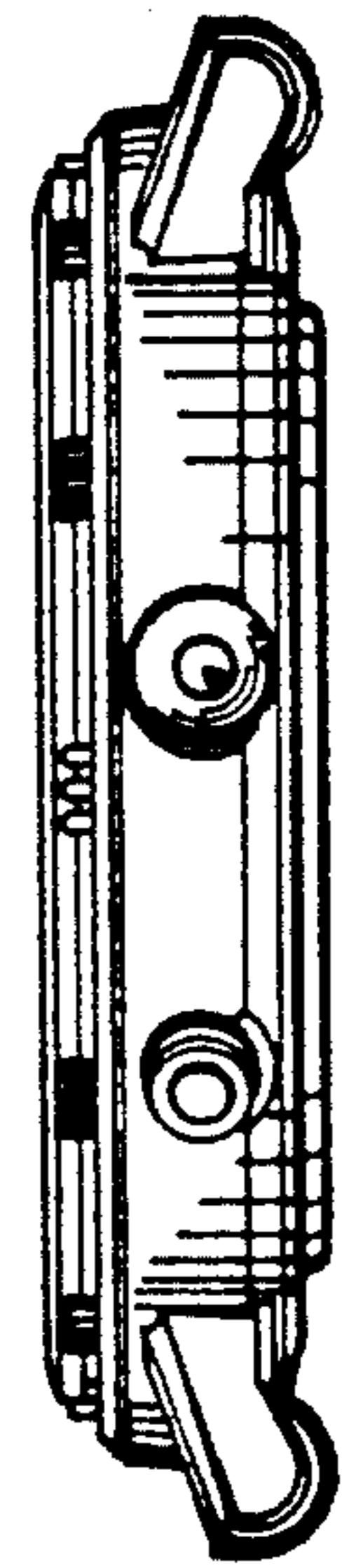


Fig. 3

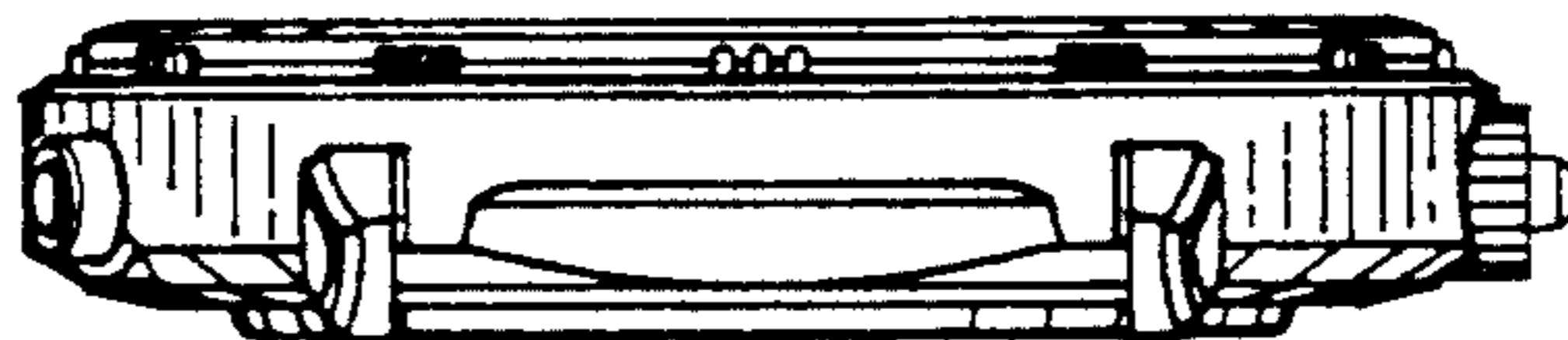


Fig. 5

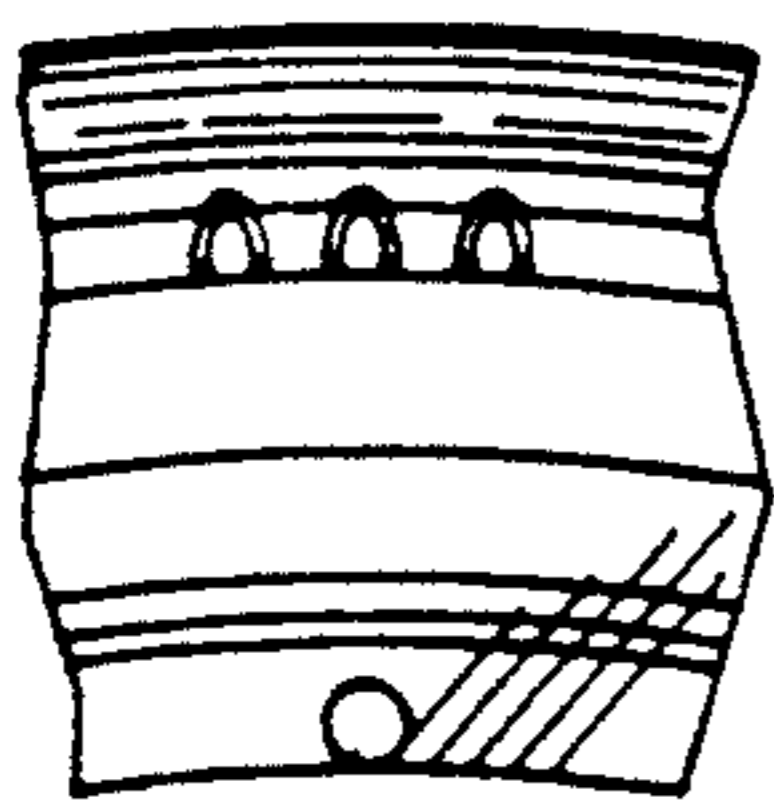


Fig. 7

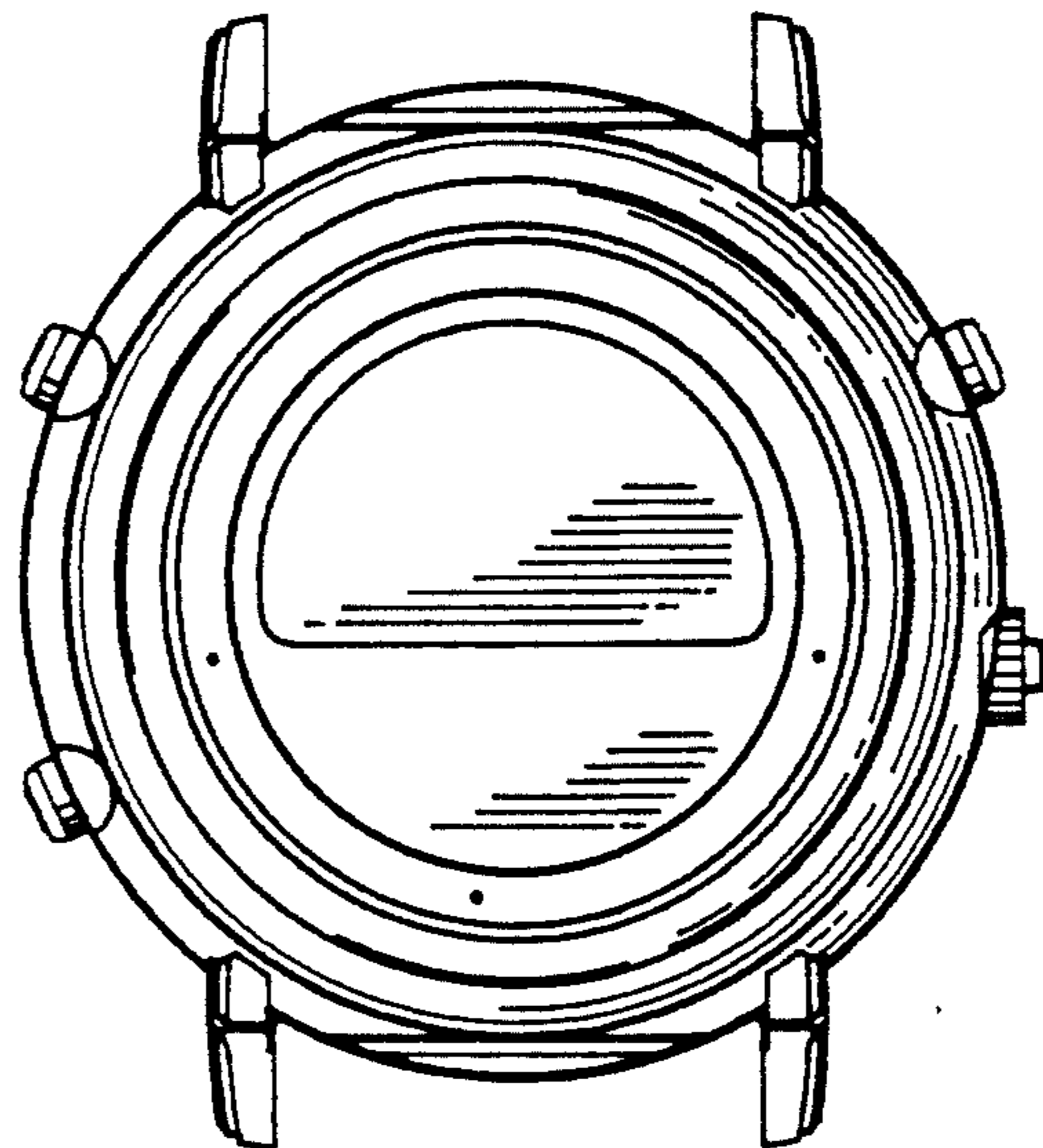


Fig. 6