



US00D348393S

United States Patent [19]

[11] Patent Number: **Des. 348,393**

Neitzke et al.

[45] Date of Patent: **** Jul. 5, 1994**

[54] **DISPOSABLE CONTAINER FOR STORING AND DISPENSING A STACK OF IDENTICAL CARD-MOUNTED KEY BLANKS**

[75] Inventors: **William J. Neitzke; G. Lynn Hagen,** both of Paradise Valley, Ariz.

[73] Assignee: **Axxess Entry Technologies, Tempe, Ariz.**

[**] Term: **14 Years**

[21] Appl. No.: **1,757**

[22] Filed: **Nov. 23, 1992**

[52] U.S. Cl. **D9/418; D9/430; D9/339**

[58] Field of Search **D9/418, 339, 415, 430, D9/414, 346, 433, 425; 229/108, 110, 162, 8; 206/44 R, 45.31, 45.34, 491, 492, 499, 37.1; 211/126, 131, 133; 221/312 R, 197, 92, 93; 312/183, 114; D6/512, 515**

[56] **References Cited**

U.S. PATENT DOCUMENTS

- D. 237,143 10/1975 Bjork D9/425
- D. 314,914 2/1991 Callinan D9/418 X
- D. 318,802 8/1991 Egide D9/418

- D. 336,242 6/1993 Detert et al. D9/418
- D. 337,270 7/1993 Brockman D9/430
- 3,586,206 6/1971 Gilmore et al. 206/499 X
- 4,043,485 8/1977 Tippetts 221/312 R X
- 4,399,159 8/1983 Guibert 229/110 X
- 5,056,683 10/1991 O'Brien et al. 221/312 R X

Primary Examiner—Prabhakar G. Deshmukh
Attorney, Agent, or Firm—Cahill, Sutton & Thomas

[57] **CLAIM**

The ornamental design for a disposable container for storing and dispensing a stack of identical card-mounted key blanks, as shown and described.

DESCRIPTION

FIG. 1 is a perspective view from the front and side of a disposable container for storing and dispensing a stack of identical card-mounted key blanks showing my new design;

FIG. 2 is a top plan view of the container shown in FIG. 1;

FIG. 3 is a bottom plan view thereof;

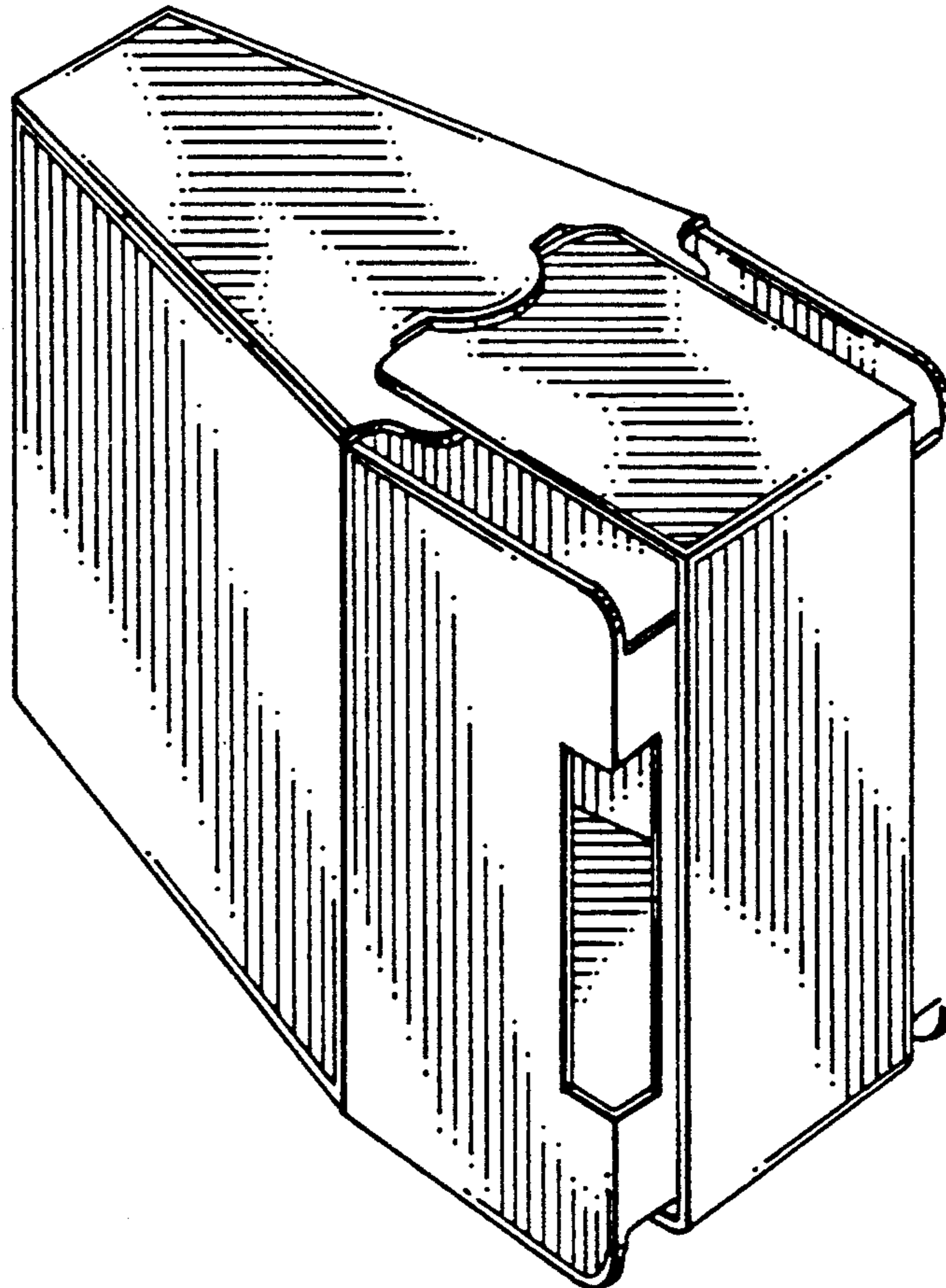
FIG. 4 is a right side elevational view of FIG. 1;

FIG. 5 is a front elevational view thereof;

FIG. 6 is a rear elevational view thereof; and,

FIG. 7 is a left side elevational view of FIG. 1.

The broken line in FIG. 3 represents tear line.



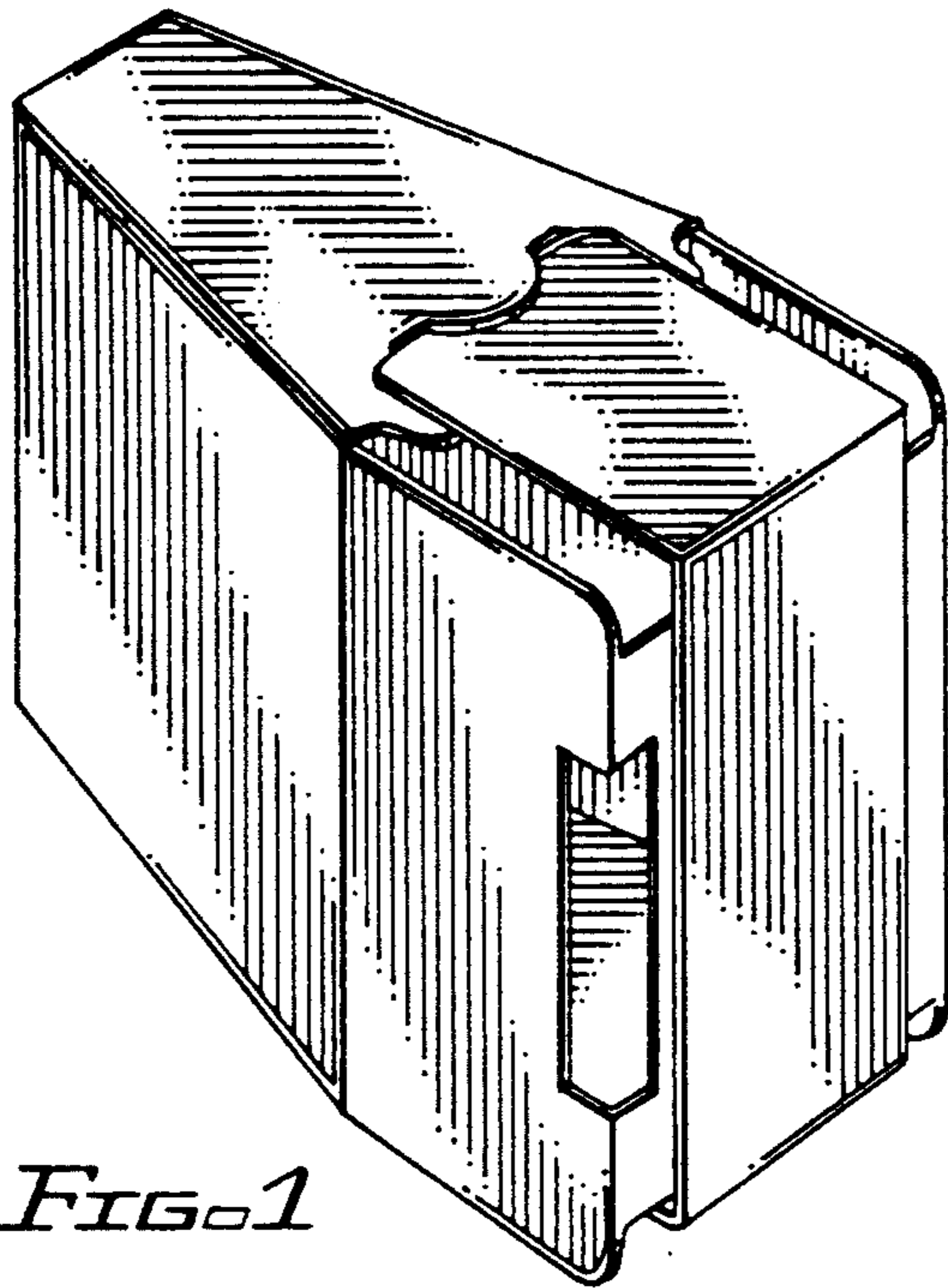


FIG. 1

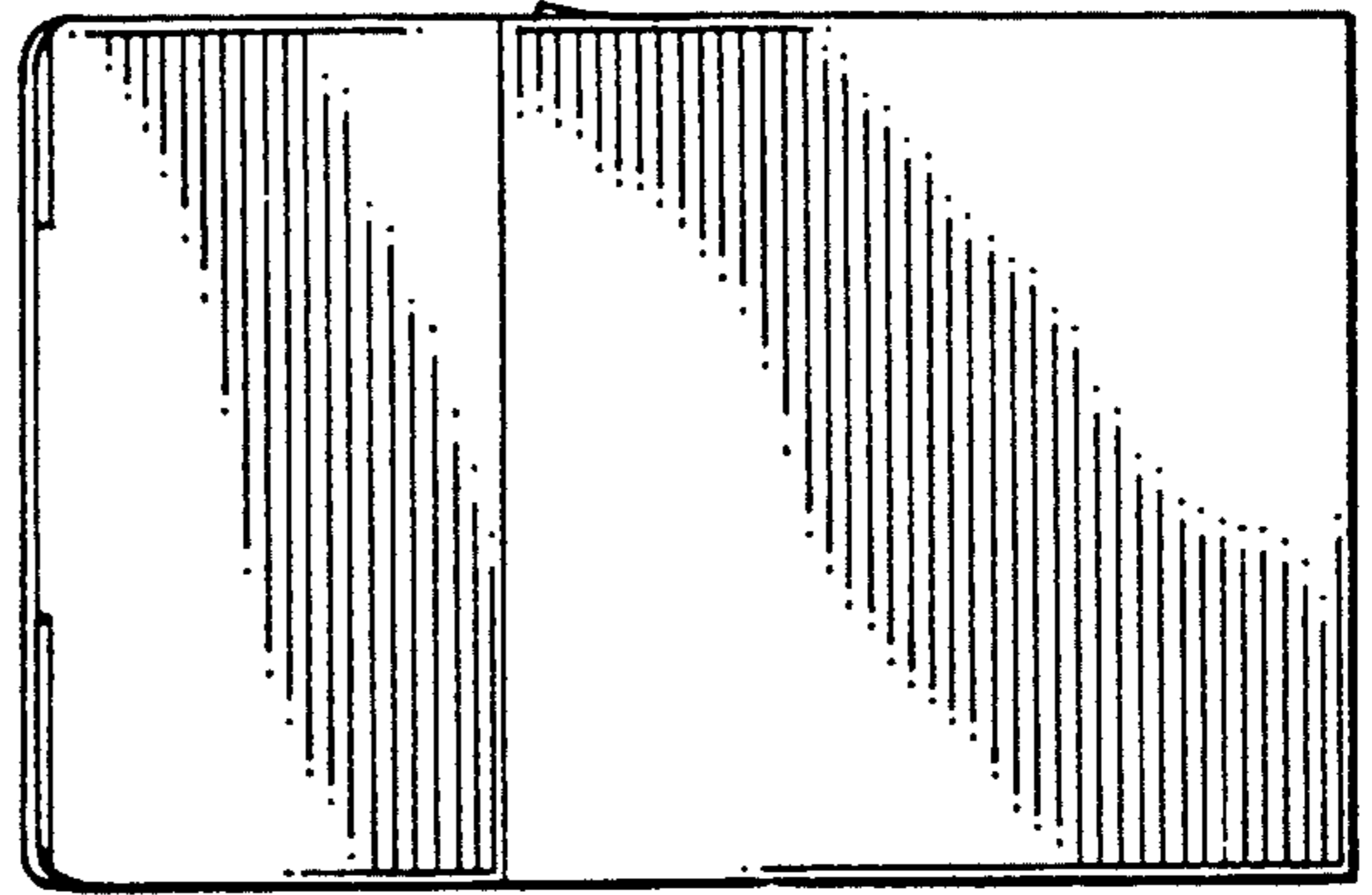


FIG. 4

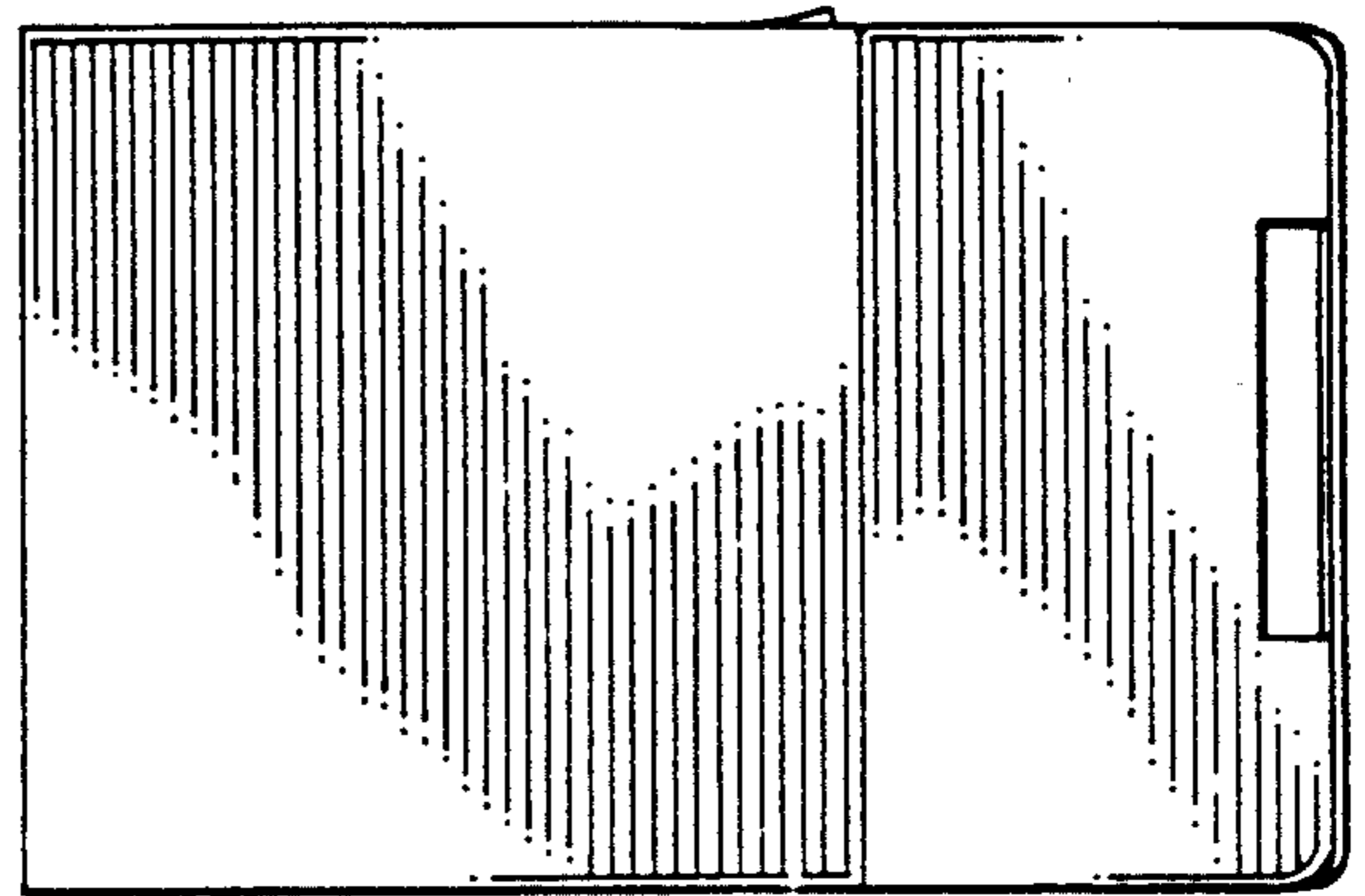


FIG. 7

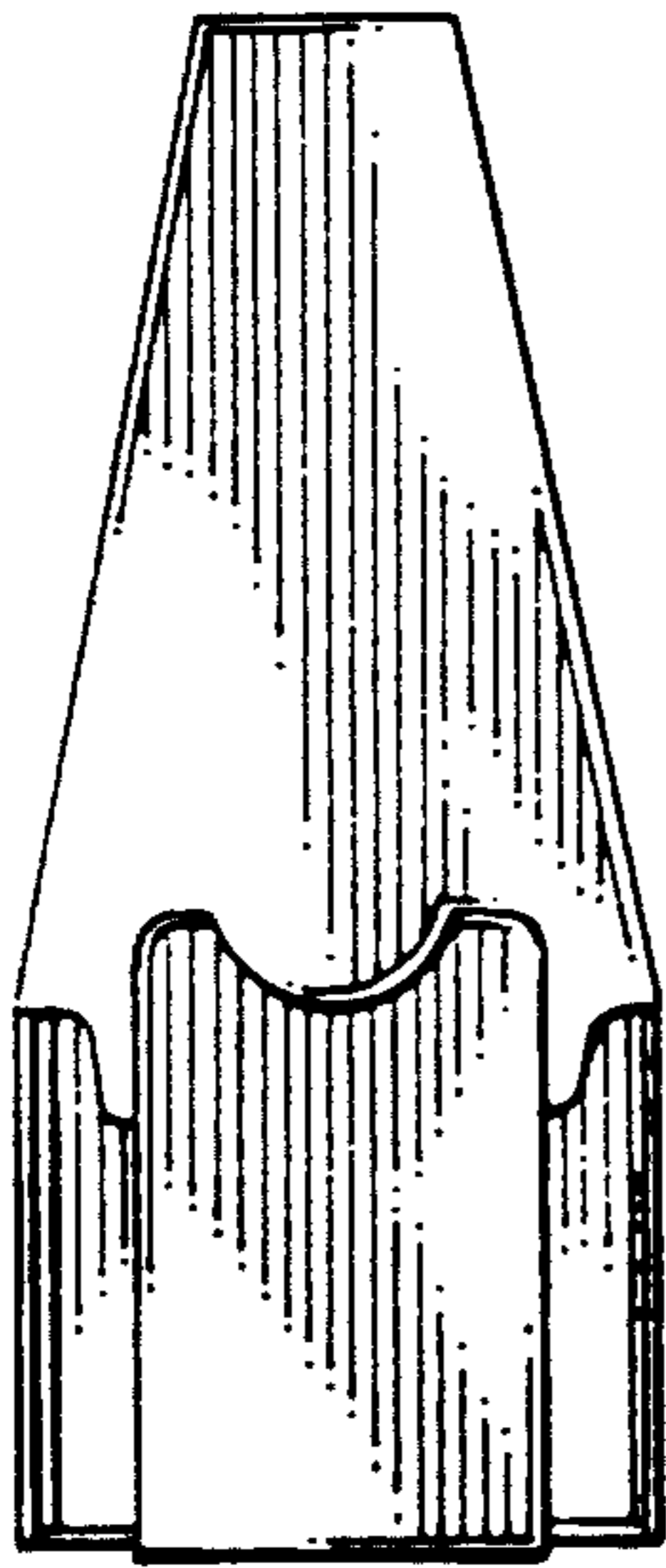


FIG. 2

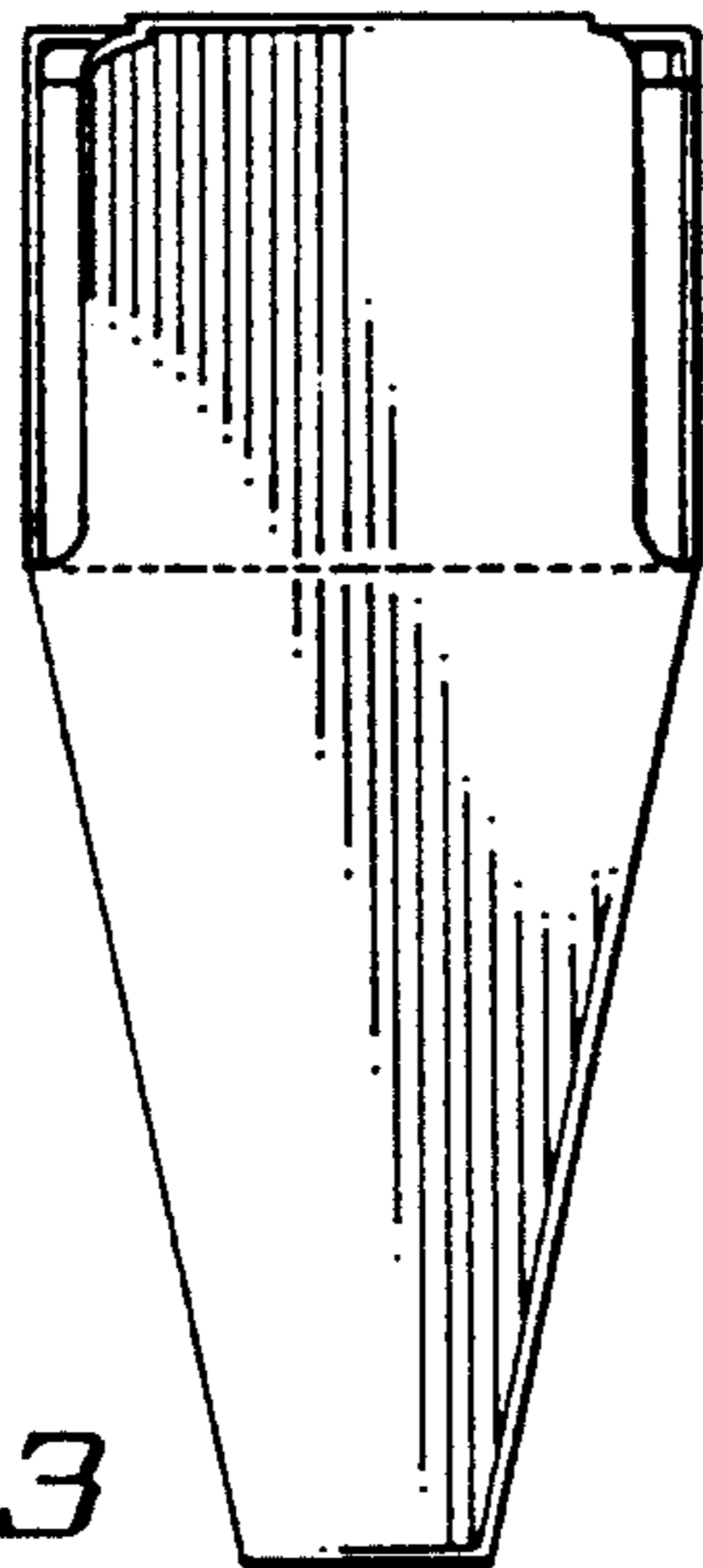


FIG. 3

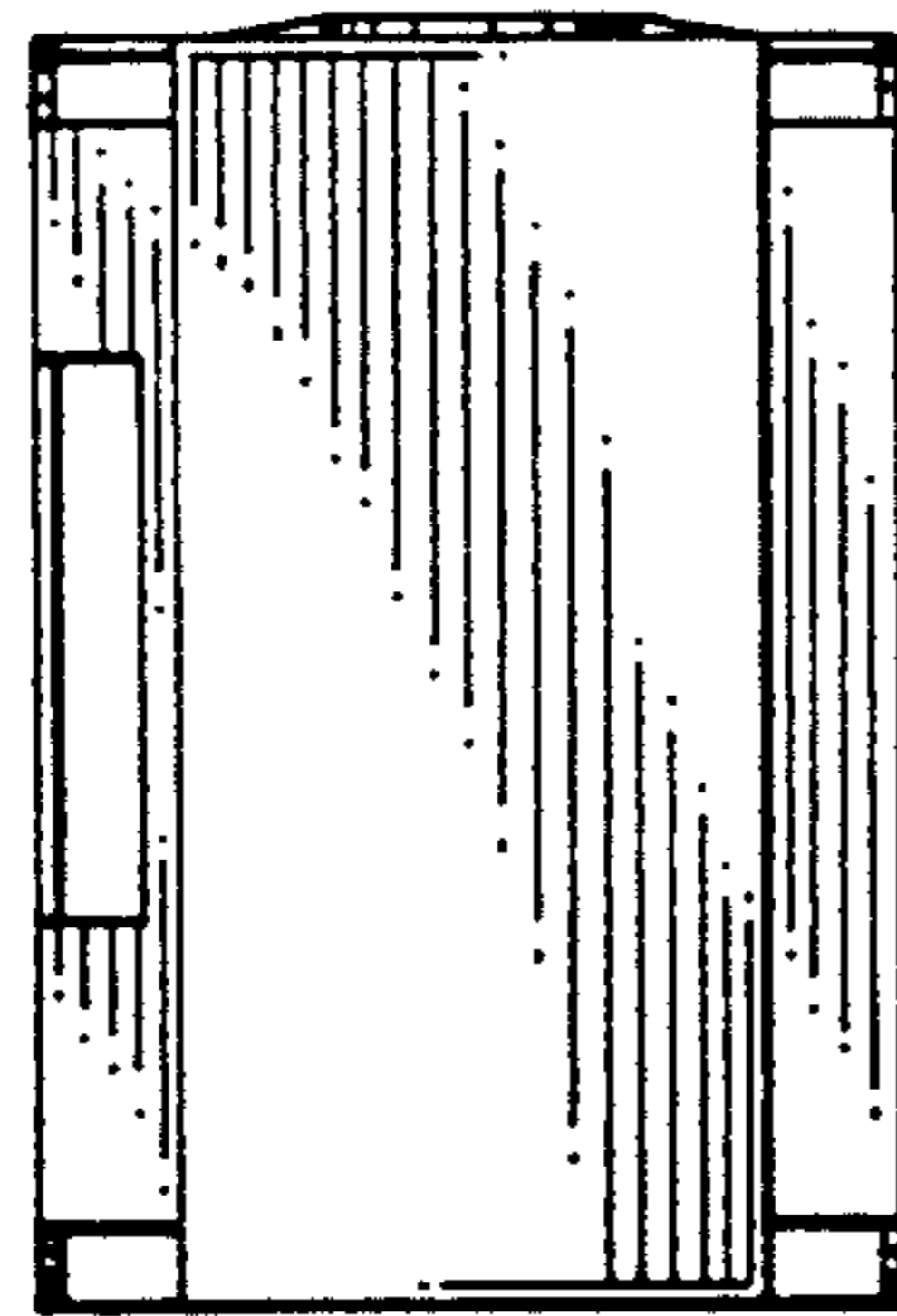


FIG. 5

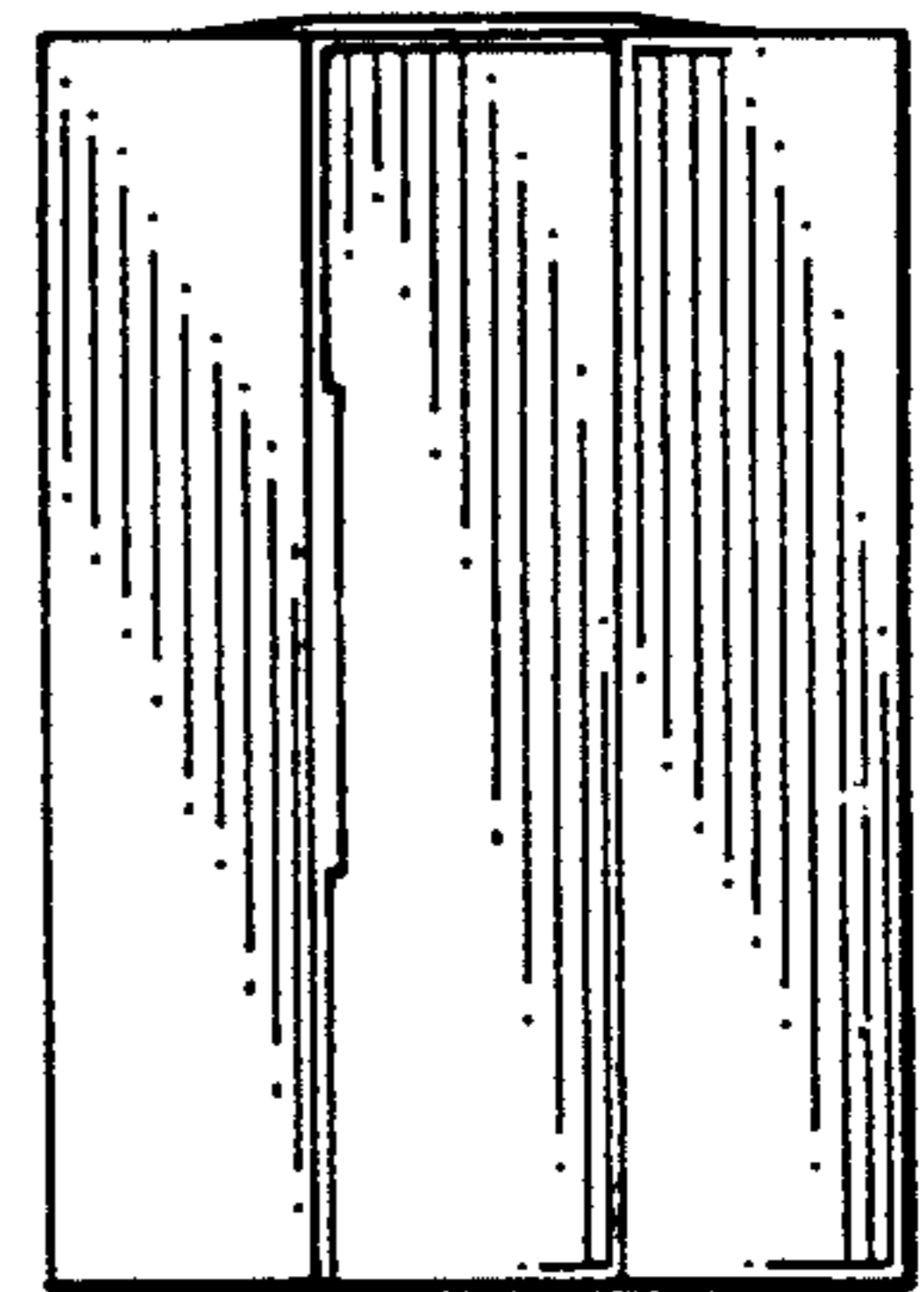


FIG. 6