



US00D348392S

United States Patent [19]
Tannen

[11] **Patent Number: Des. 348,392**

[45] **Date of Patent: ** Jul. 5, 1994**

[54] **PACKAGE FOR A BICYCLE HELMET**

[75] **Inventor: Bill Tannen, Miami, Fla.**

[73] **Assignee: J&B Importers, Miami, Fla.**

[**] **Term: 14 Years**

[21] **Appl. No.: 7,445**

[22] **Filed: Apr. 22, 1993**

[52] **U.S. Cl. D9/415**

[58] **Field of Search D9/415, 418, 430, 337;
206/461-471, 806, 335, 45.31, 45.14, 44 R**

[56] **References Cited**

U.S. PATENT DOCUMENTS

D. 321,323	11/1991	Nakamura	D9/415
D. 341,777	11/1993	Sheu	D9/415
D. 344,233	2/1994	Peters	D9/415
4,199,058	4/1980	Lense et al.	206/45.14
5,064,056	11/1991	Gresh	206/471 X

OTHER PUBLICATIONS

Packaging, 1980, p. 300.

Packaging Sep. 1984, p. 22.

Primary Examiner—Prabhakar G. Deshmukh
Attorney, Agent, or Firm—Malloy & Malloy

[57] **CLAIM**

The ornamental design for a package for a bicycle helmet, as shown and described.

DESCRIPTION

FIG. 1 is a front top perspective view of the package for a bicycle helmet showing my new design;

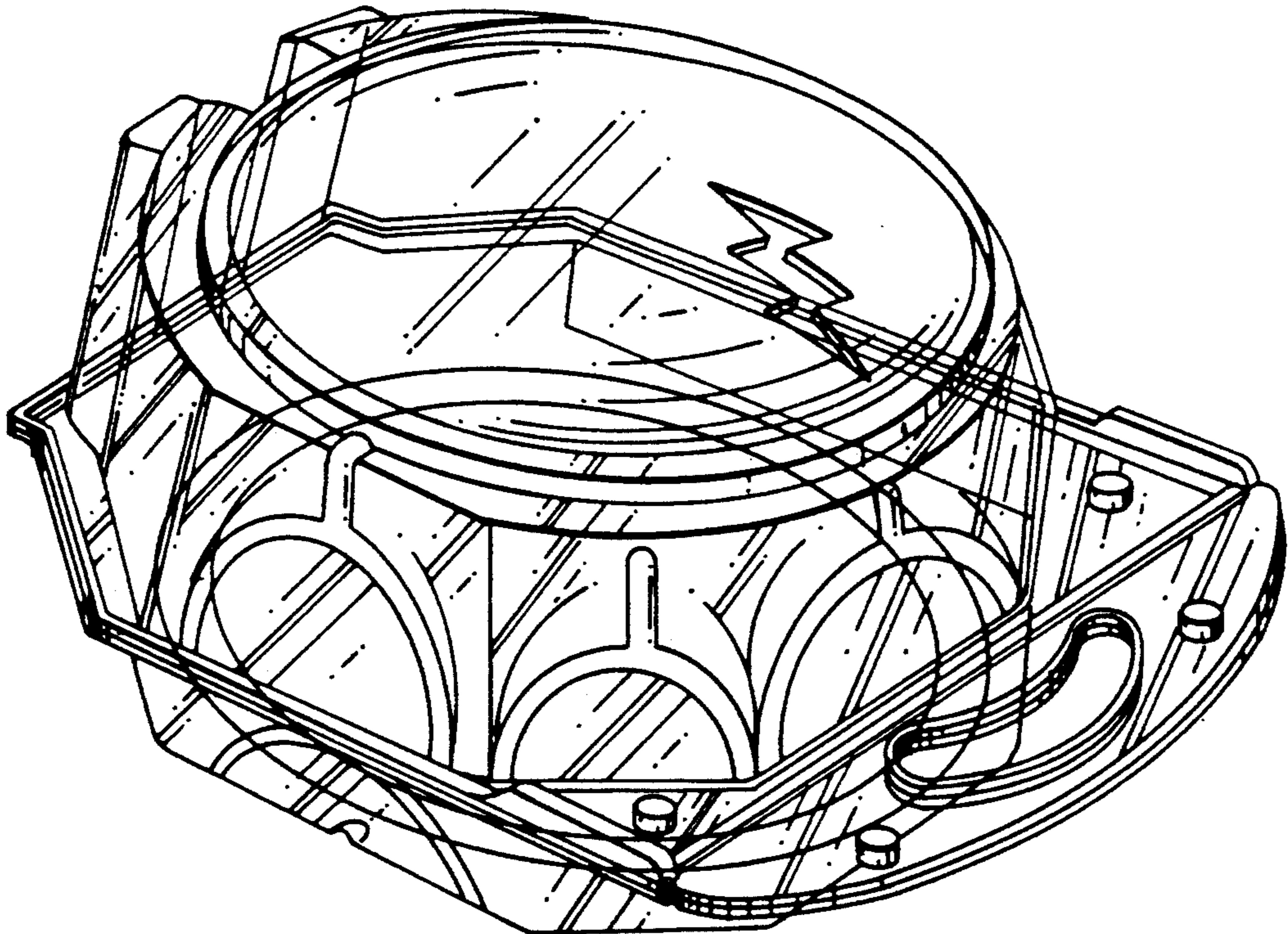
FIG. 2 is a right side elevational view thereof, the left side being identical;

FIG. 3 is a top plan view thereof;

FIG. 4 is a bottom plan view thereof;

FIG. 5 is a front elevational view thereof; and,

FIG. 6 is a rear elevational view thereof.



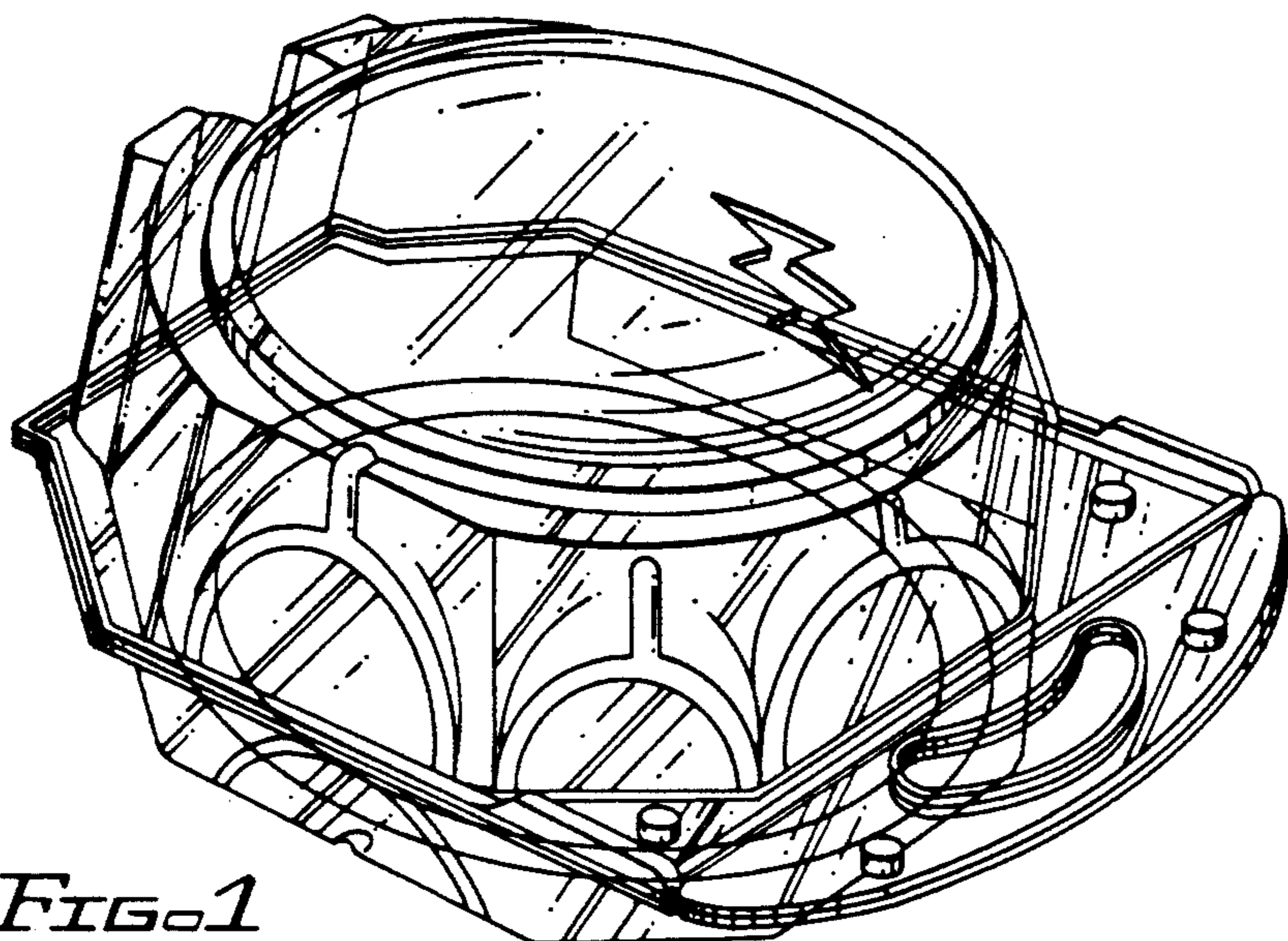


FIG. 1

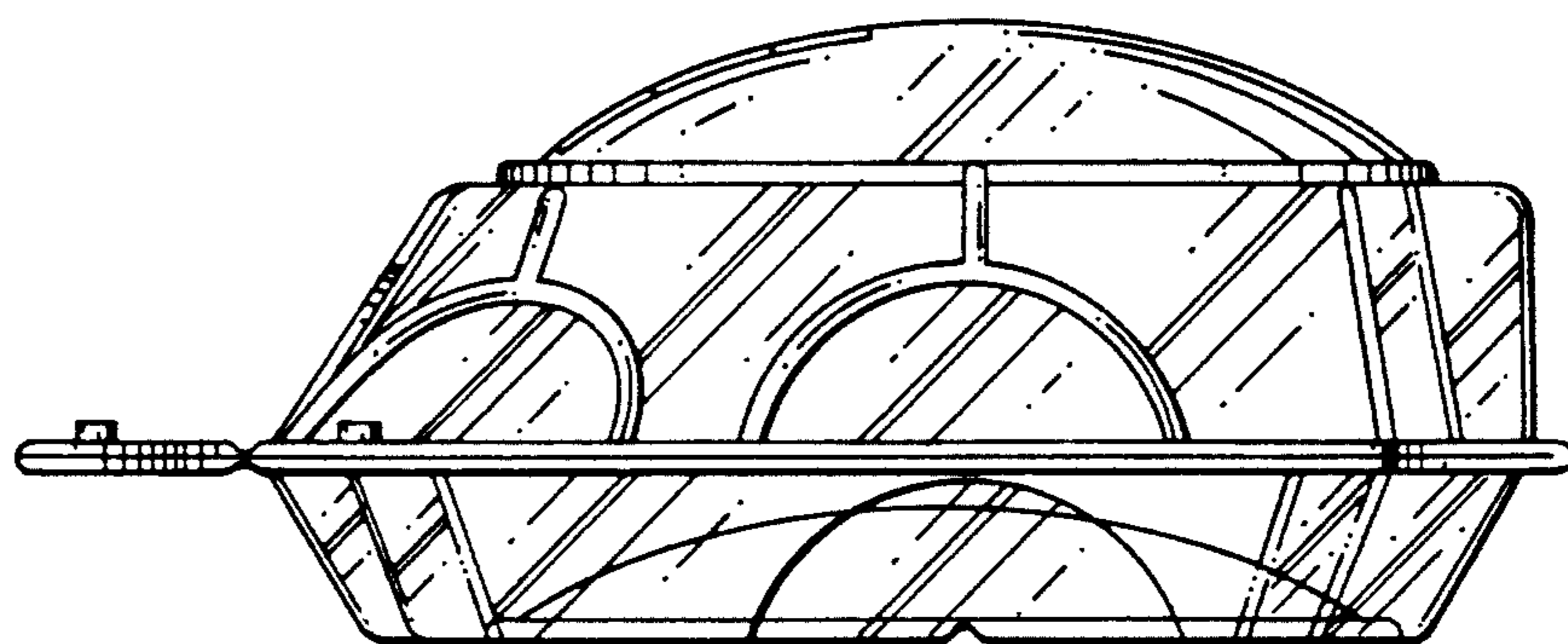


FIG. 2

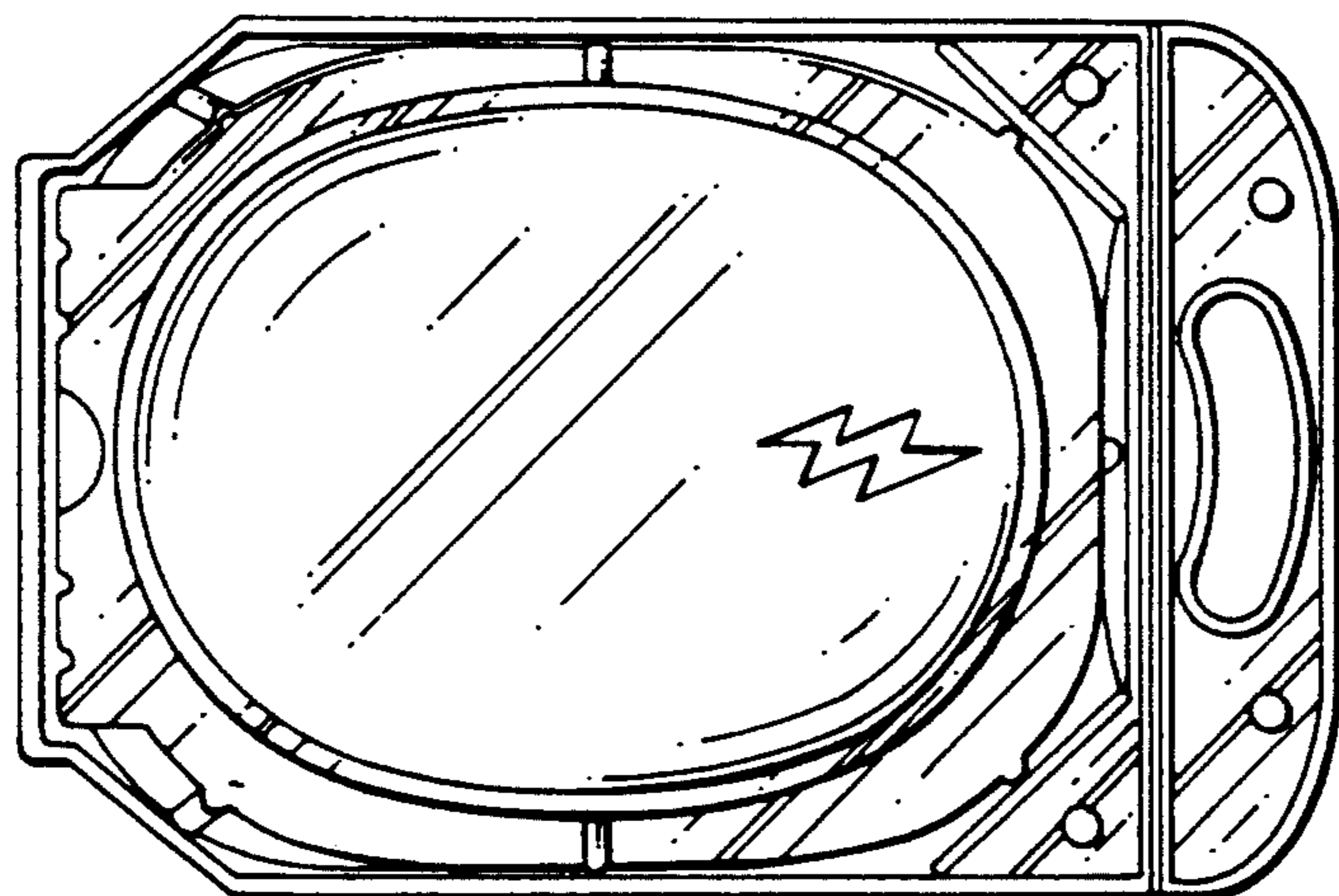


FIG. 3

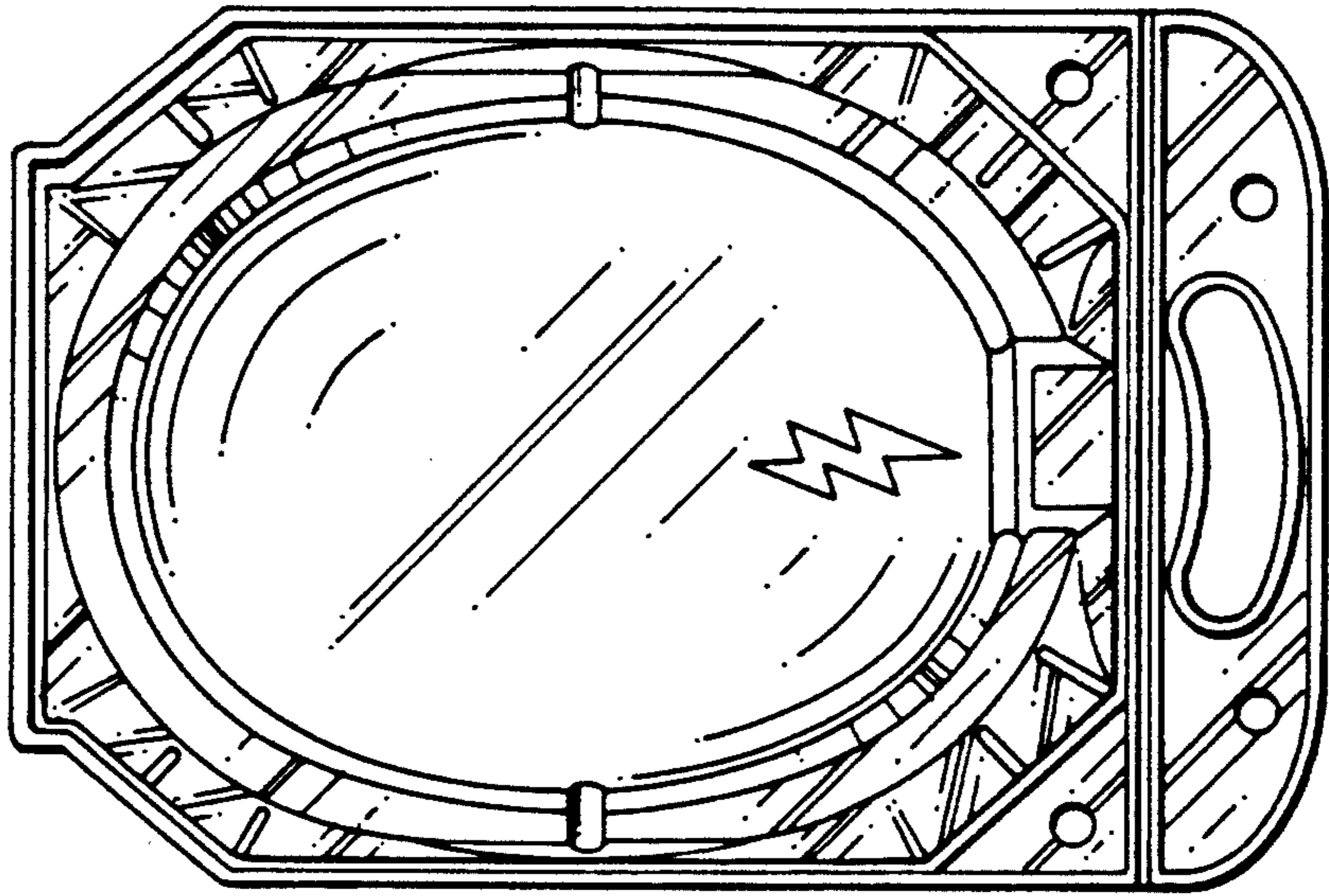


FIG. 4

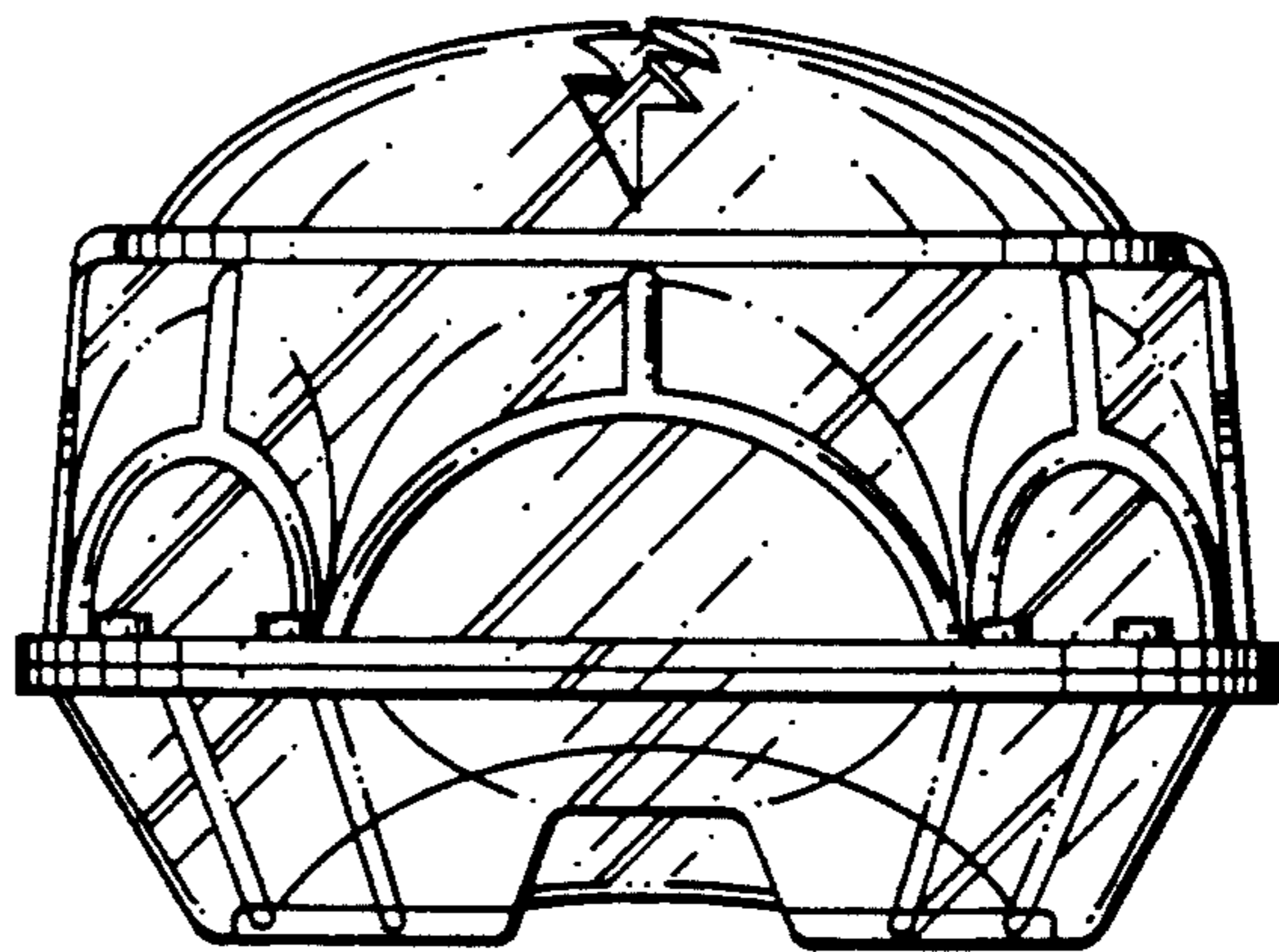


FIG. 5

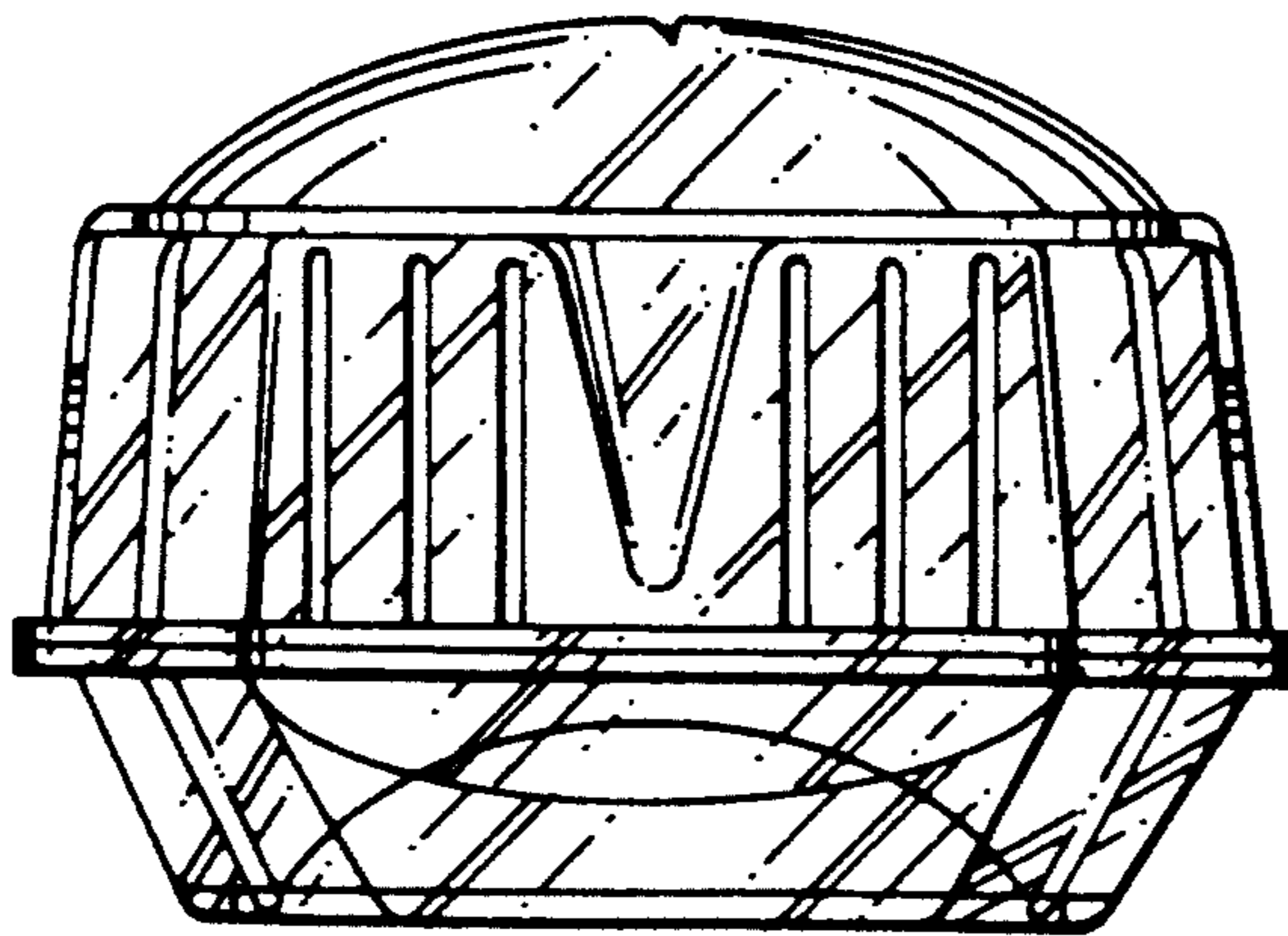


FIG. 6