



US00D348389S

United States Patent [19]

[11] Patent Number: **Des. 348,389**

Nigro

[45] Date of Patent: **** Jul. 5, 1994**

[54] CONTAINER FOR PAPER INSERTS FOR ATHLETIC SHOES

[56] References Cited

[76] Inventor: **John A. Nigro, 298 Lincoln St., Berkeley Heights, N.J. 07922**

U.S. PATENT DOCUMENTS

D. 17,351	5/1887	Schumann	D9/319
D. 39,682	12/1908	Kruttschnitt	D9/319
D. 119,046	2/1940	Orloff	D9/319
D. 271,663	12/1983	Stark et al.	D9/416 X
D. 277,553	2/1985	Ito et al.	D9/416
D. 281,668	12/1985	Berard	D9/416 X

[**] Term: **14 Years**

Primary Examiner—Brian N. Vinson

[21] Appl. No.: **658,567**

[57] CLAIM

The ornamental design for a container for paper inserts for athletic shoes, as shown.

[22] Filed: **Feb. 21, 1991**

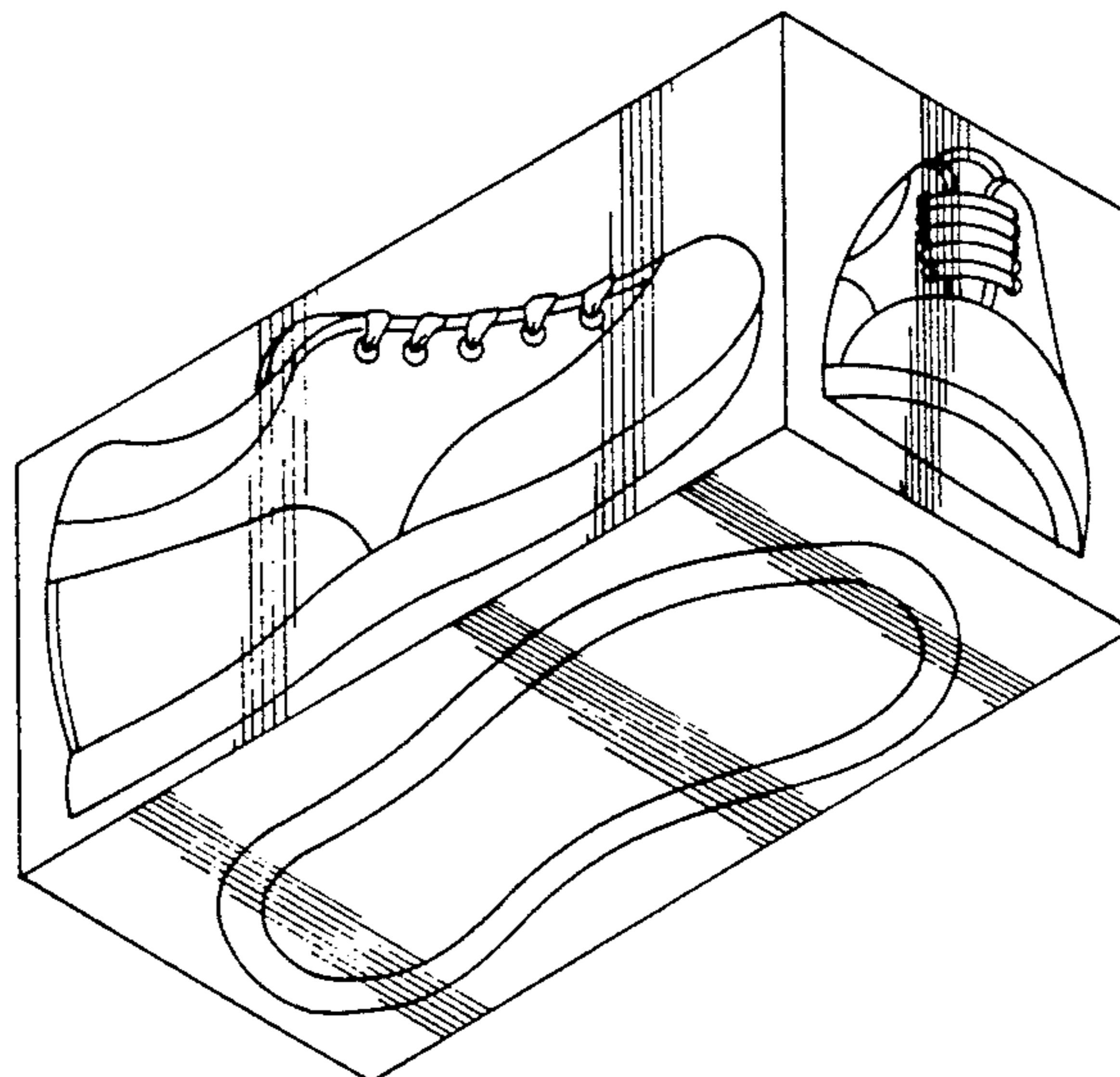
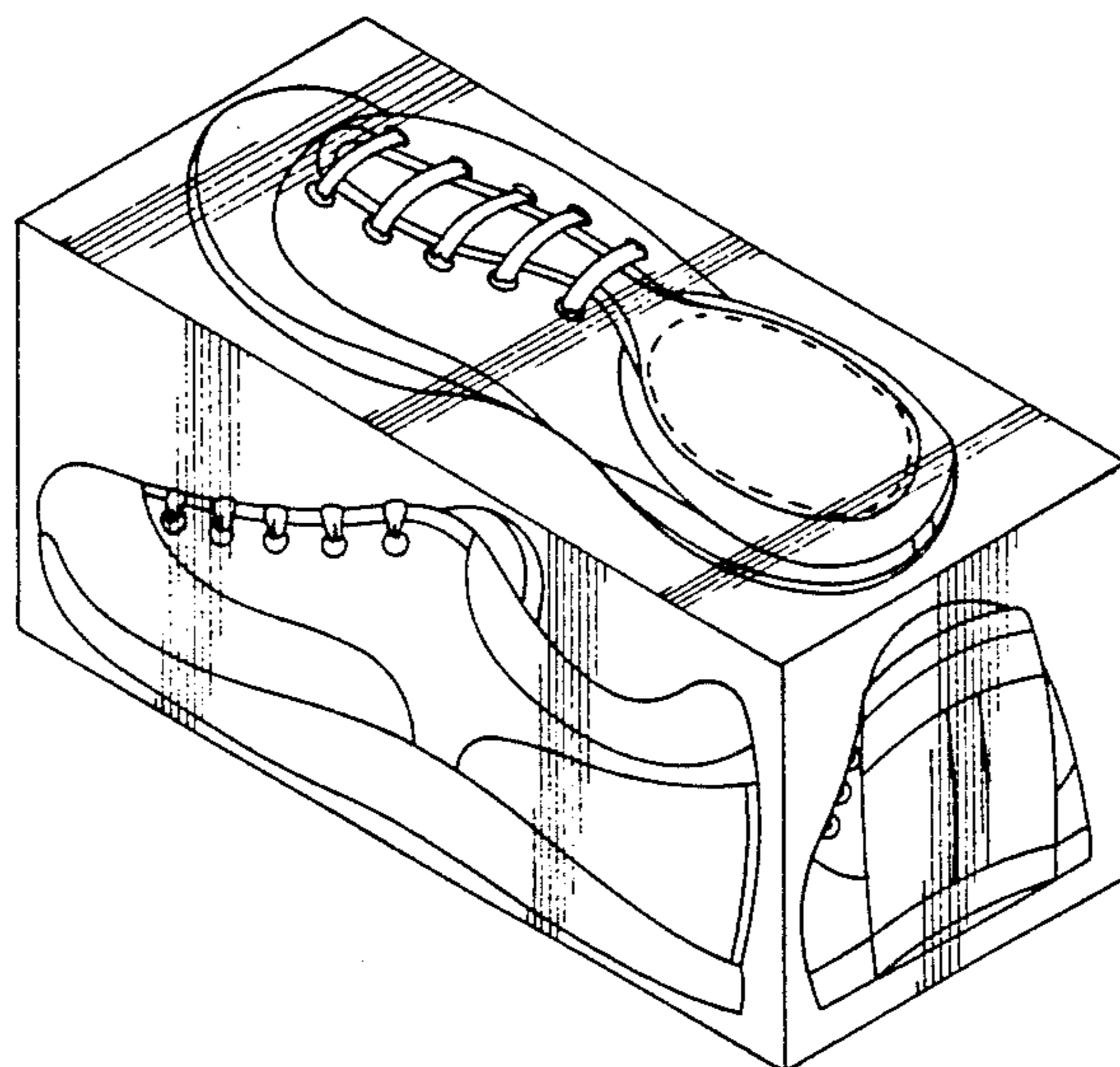
DESCRIPTION

[52] U.S. Cl. **D9/319; D6/515**

FIG. 1 is a top and side perspective view of a container for paper inserts for athletic shoes showing my new design; and,

[58] Field of Search **D6/515, 516-518; D9/414, 416, 433, 319; 206/214, 233, 315.1, 316.1, 389; 220/62; 221/33, 282**

FIG. 2 is a bottom and side perspective view thereof.



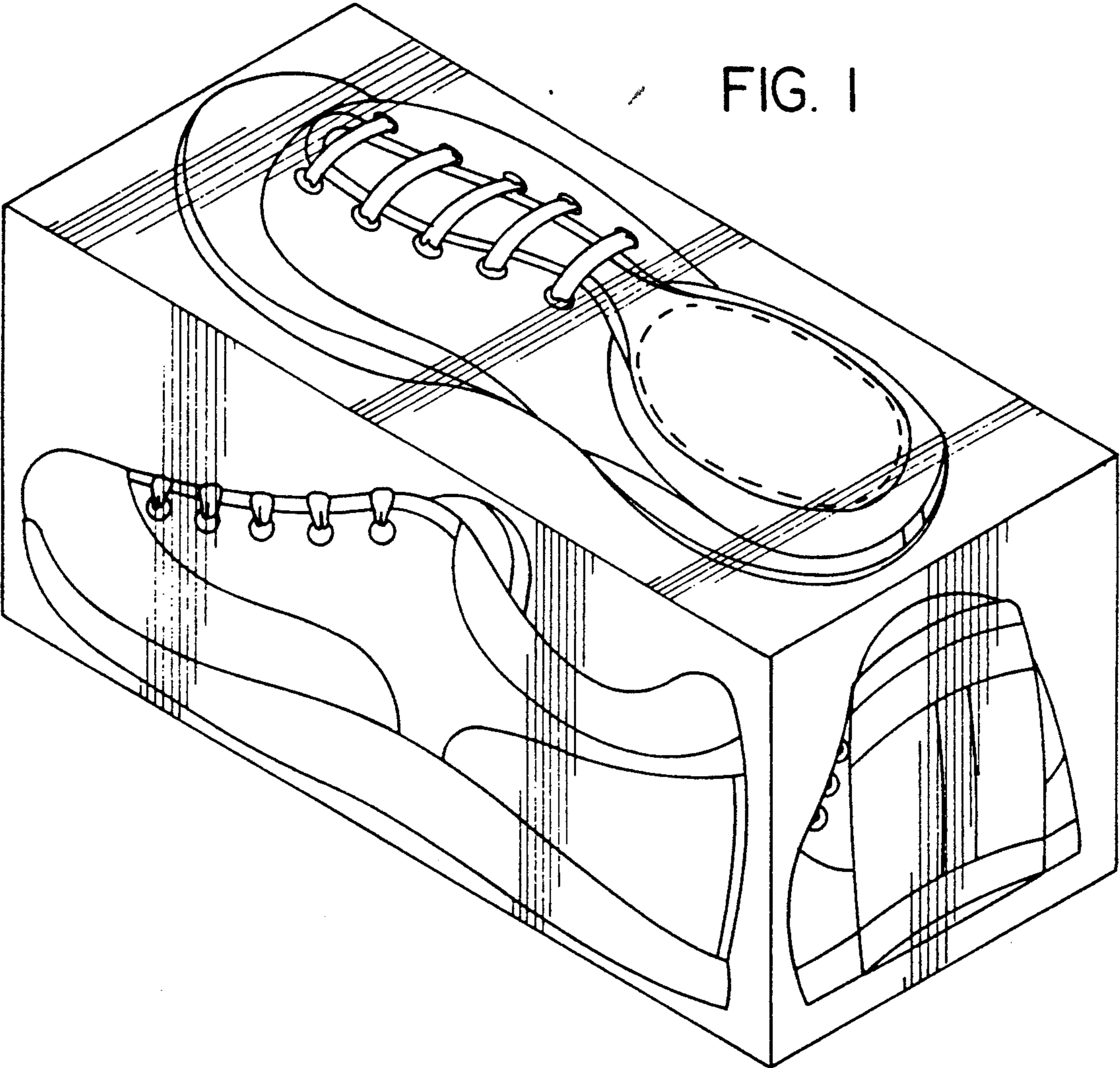


FIG. 1

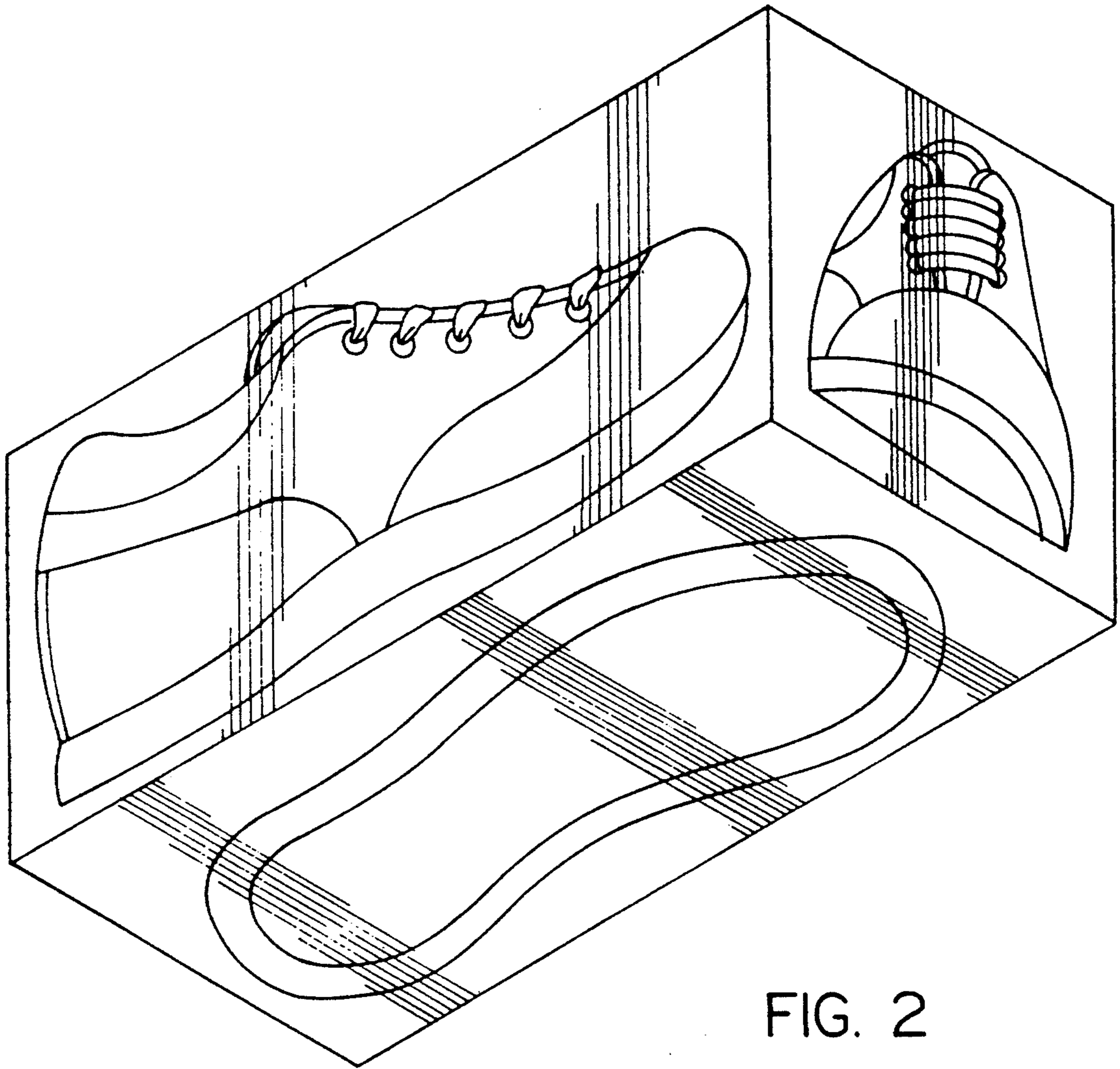


FIG. 2