



US00D348385S

United States Patent [19]

[11] Patent Number: **Des. 348,385**

Krauss

[45] Date of Patent: **** Jul. 5, 1994**

[54] **SWIVEL SNAP HOOK**

[75] Inventor: **Mark J. Krauss**, East Greenwich, R.I.

[73] Assignee: **American Cord and Webbing Co., Inc.**, Woonsocket, R.I.

[**] Term: **14 Years**

[21] Appl. No.: **872,652**

[22] Filed: **Apr. 23, 1992**

Related U.S. Application Data

[63] Continuation of Ser. No. 690,815, Apr. 24, 1991, Pat. No. 5,127,137.

[52] U.S. Cl. **D8/367**

[58] Field of Search **D8/367, 382, 396; 24/241 PS, 241 P, 236, 265 H; 294/82.1, 821.9**

[56] **References Cited**

U.S. PATENT DOCUMENTS

D. 208,815	10/1967	Hubbard	D8/372 X
D. 308,471	6/1990	Murai	D8/367
229,348	6/1880	Witter	24/265 H X
4,577,374	3/1986	Lii	24/265 H
4,868,954	9/1989	Kasai	24/265 H
5,002,420	3/1991	Loyd	294/82.1 X

OTHER PUBLICATIONS

Wilcox-Crittendon, Dec. 12, 1987, p. 52, spring snap, located at bottom of page.

Wilcox-Crittendon, Dec. 12, 1987, p. 67, Swivel Eye Safety Snap Clamp, item A, located at left bottom of page.

Primary Examiner—Wallace R. Burke

Assistant Examiner—H. Baynham

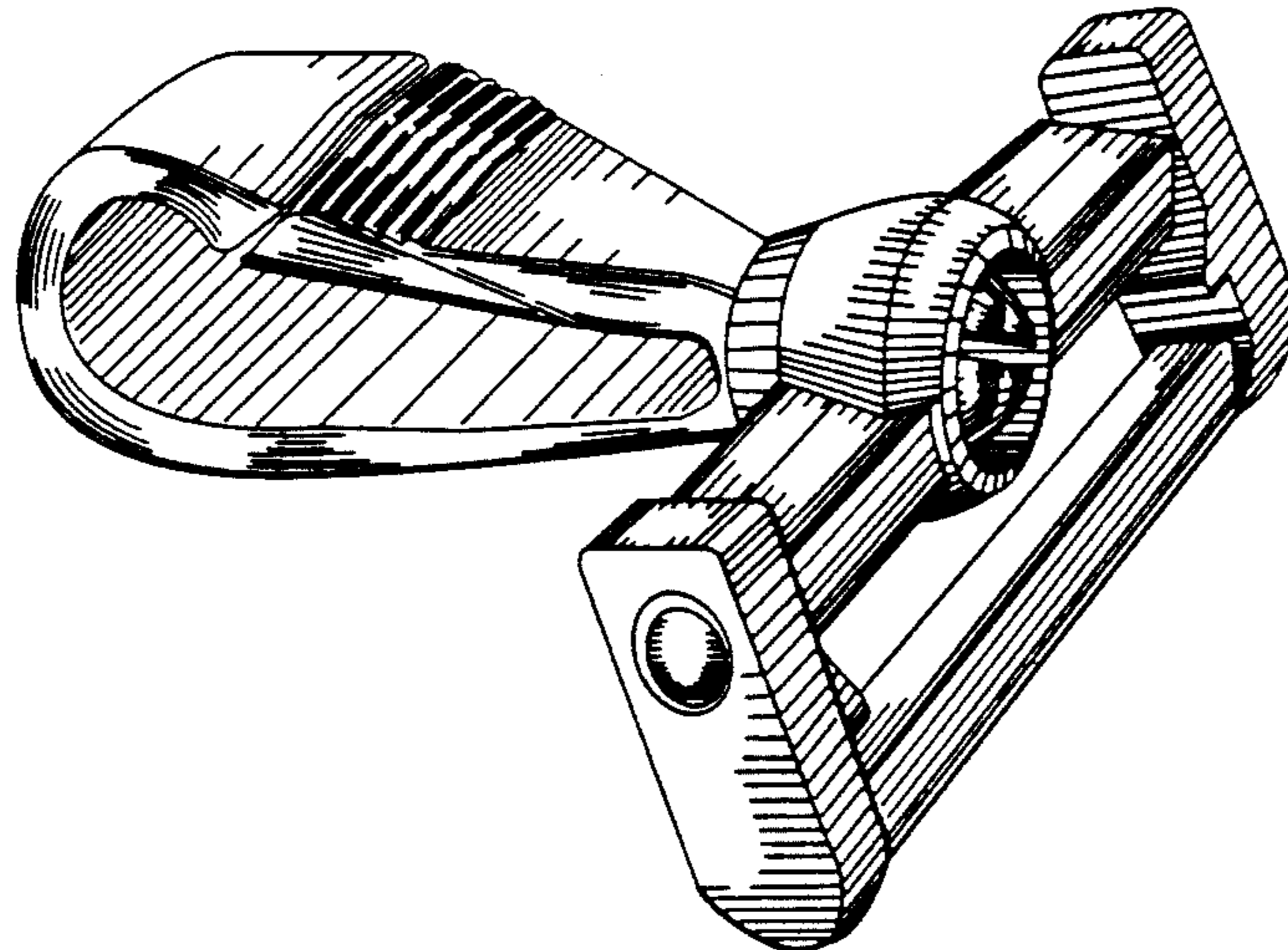
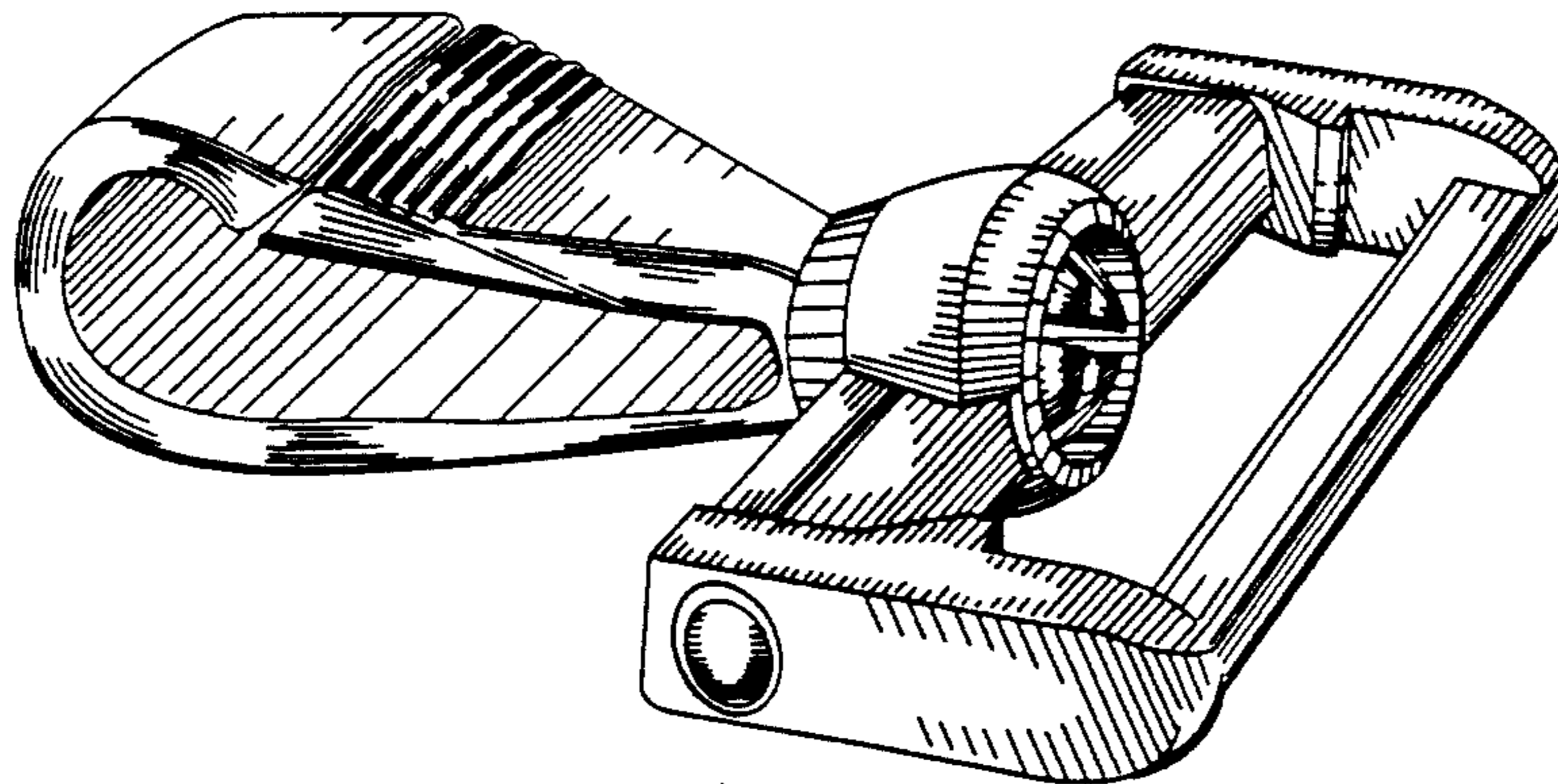
Attorney, Agent, or Firm—Kane, Dalsimer, Sullivan, Kurucz, Levy, Eisele & Richard

[57] **CLAIM**

The ornamental design for a swivel snap hook, as shown.

DESCRIPTION

FIG. 1 is a front elevational view of the swivel snap hook showing my new design; FIG. 2 is a rear elevational view thereof; FIG. 3 is a side elevational view thereof; FIG. 4 is the opposite side elevational view thereof; FIG. 5 is a bottom plan view thereof; FIG. 6 is a top plan view thereof; FIG. 7 is an isometric view thereof; and, FIG. 8 is another isometric view thereof with one element being turned with respect to the other.



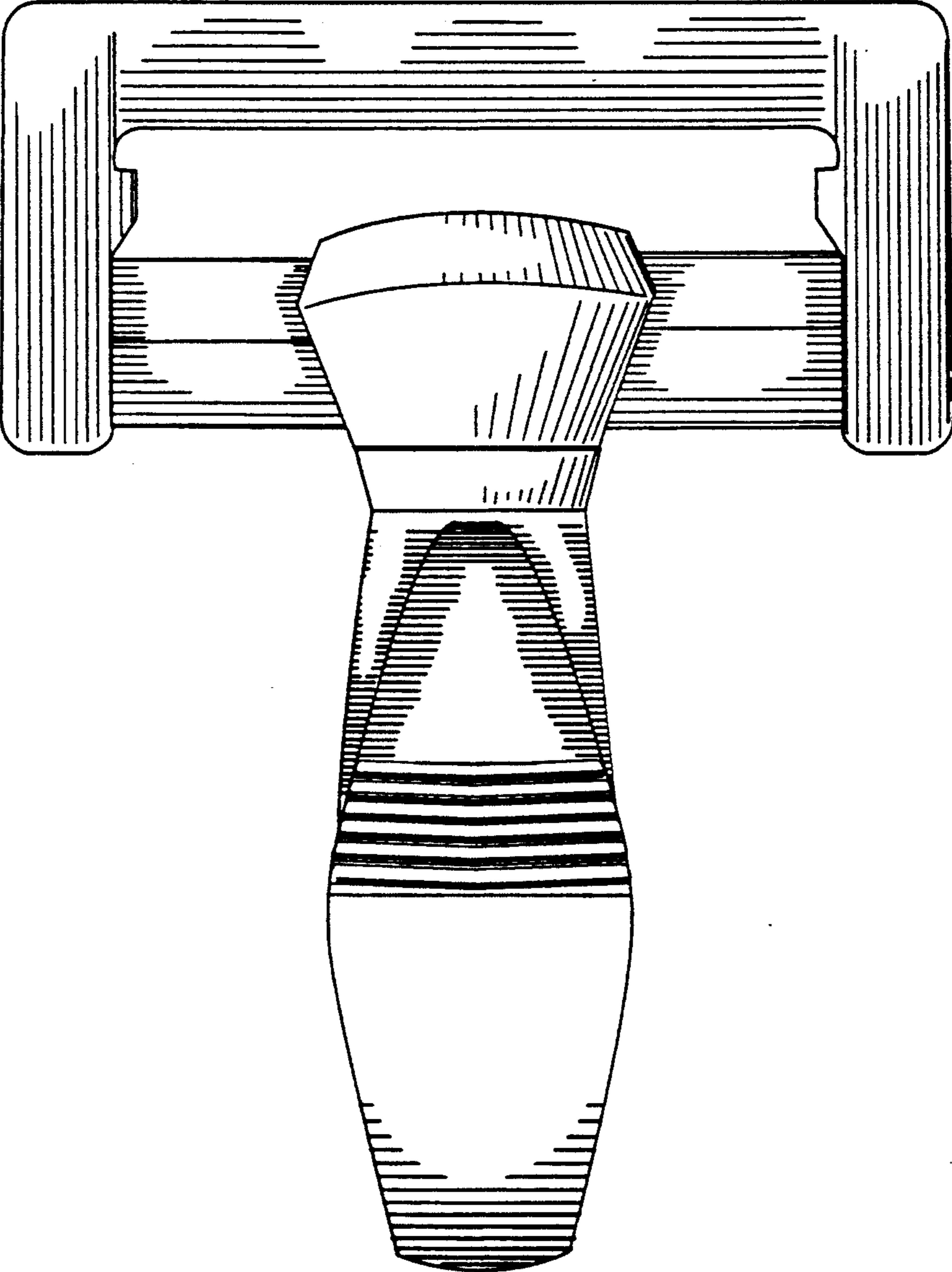


FIG. 1

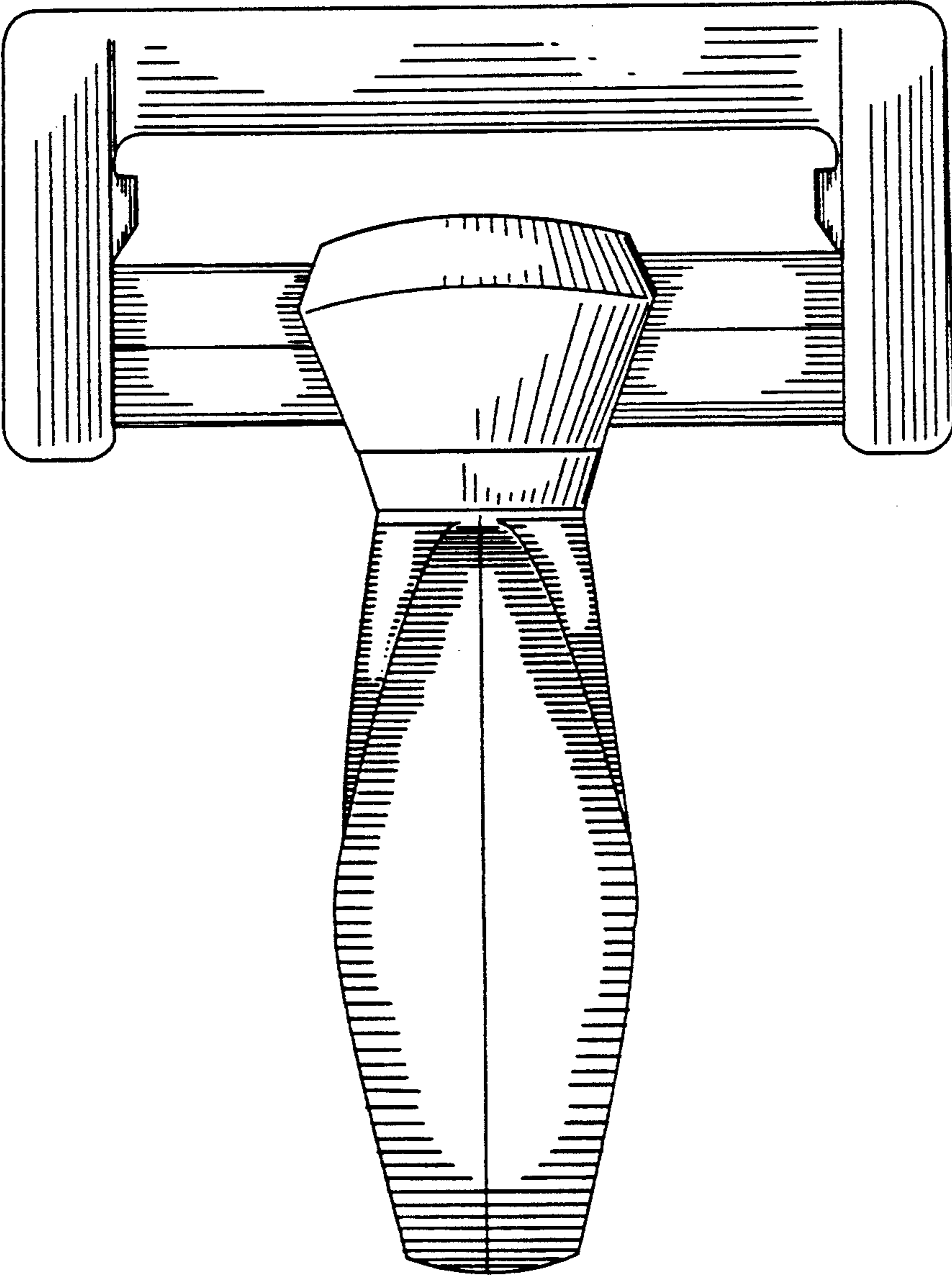


FIG. 2

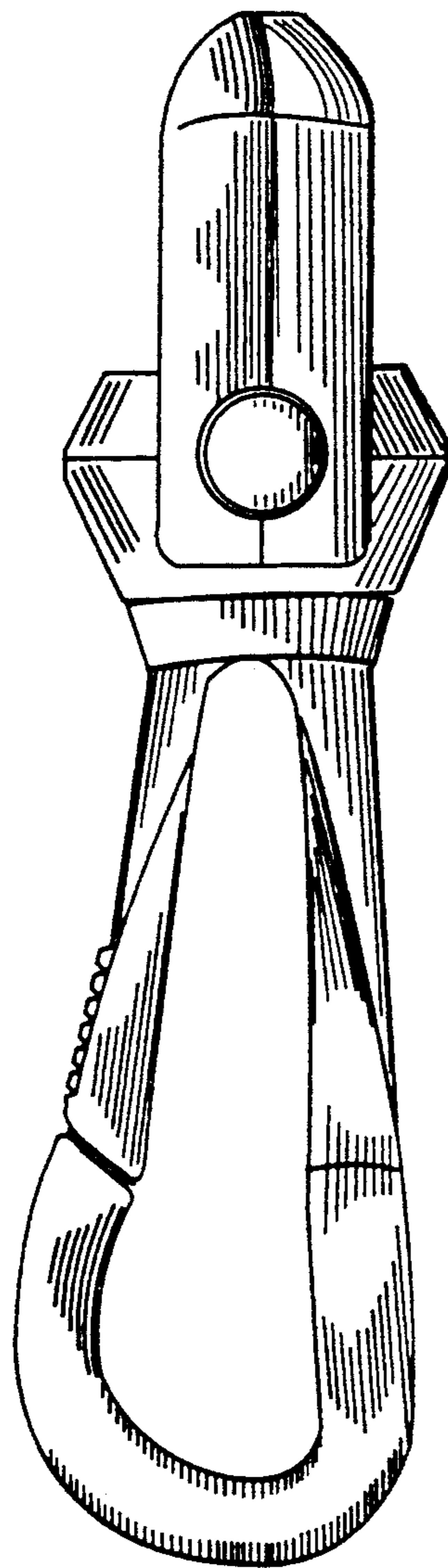


FIG. 3

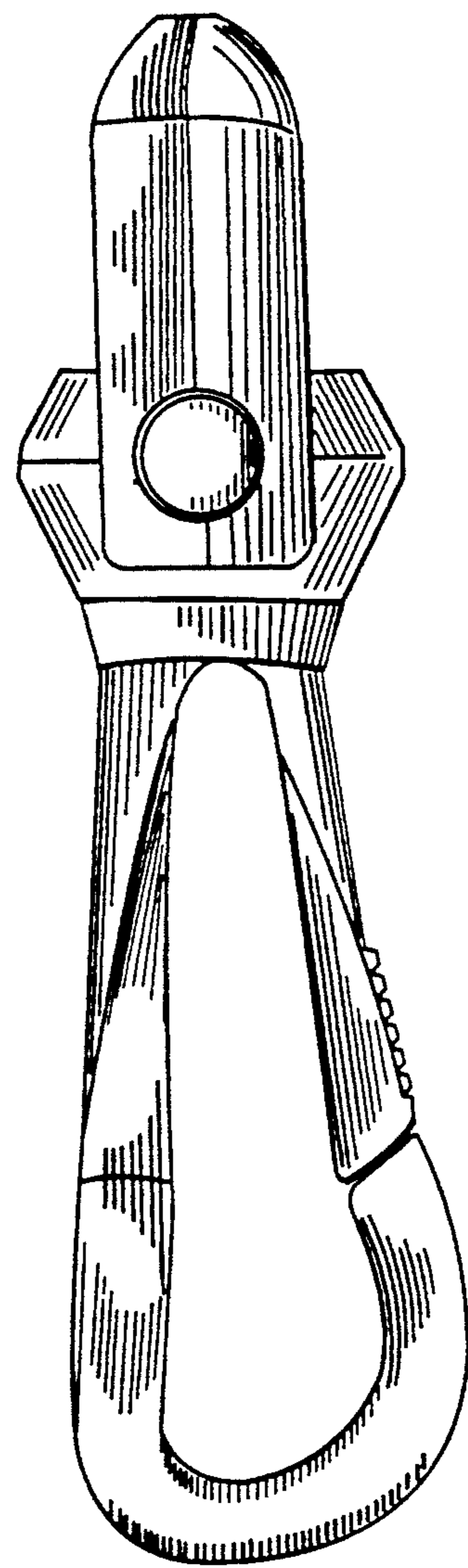


FIG. 4

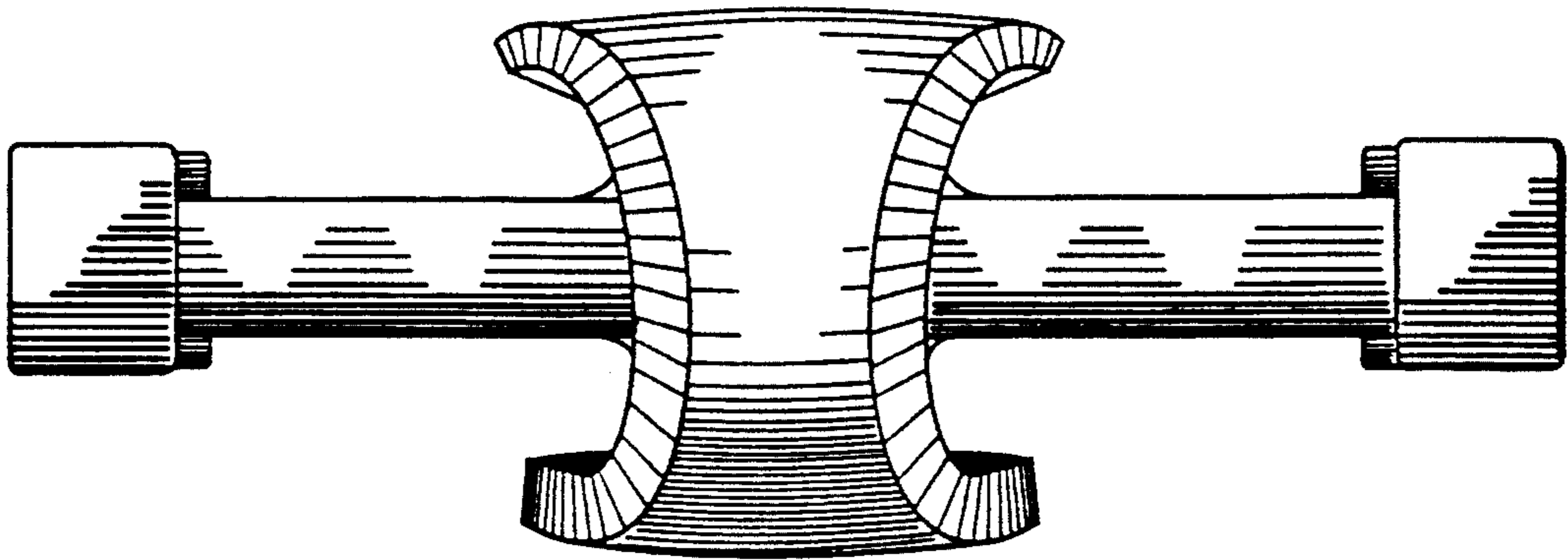


FIG. 5

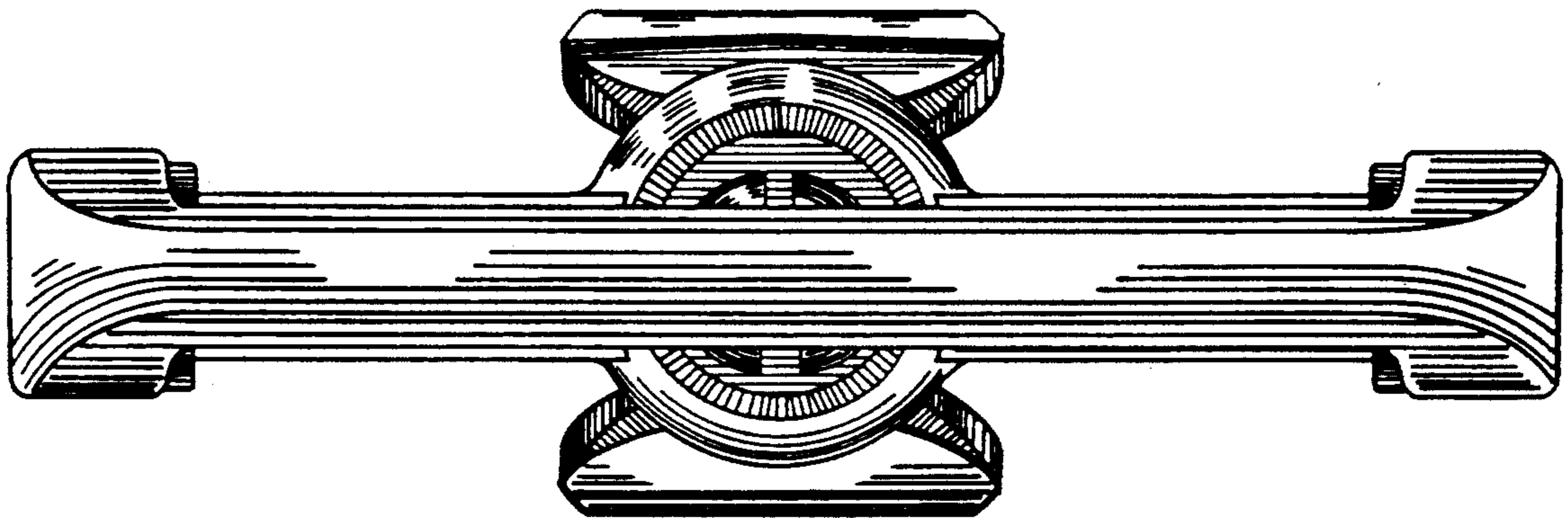


FIG. 6

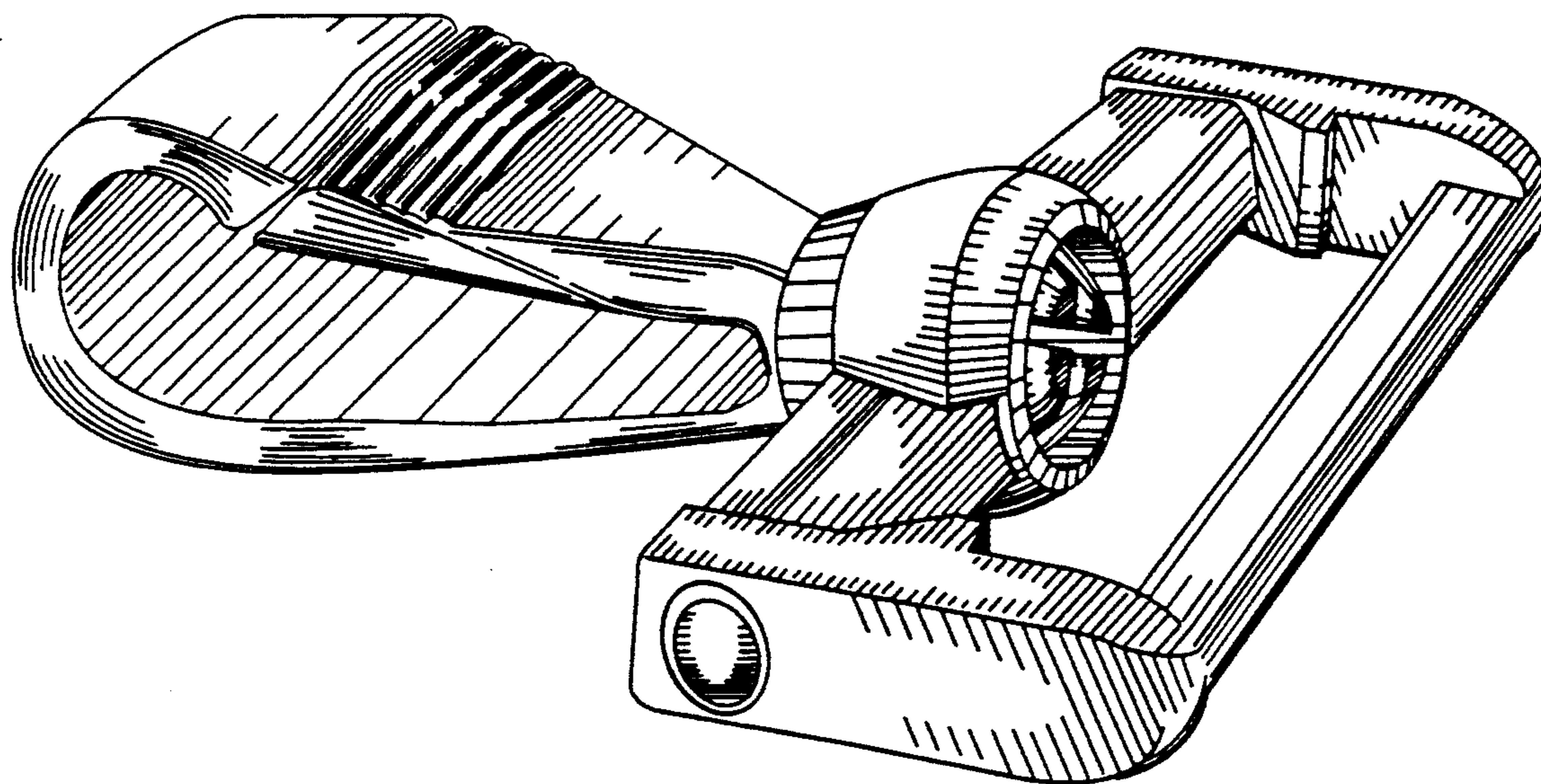


FIG. 7

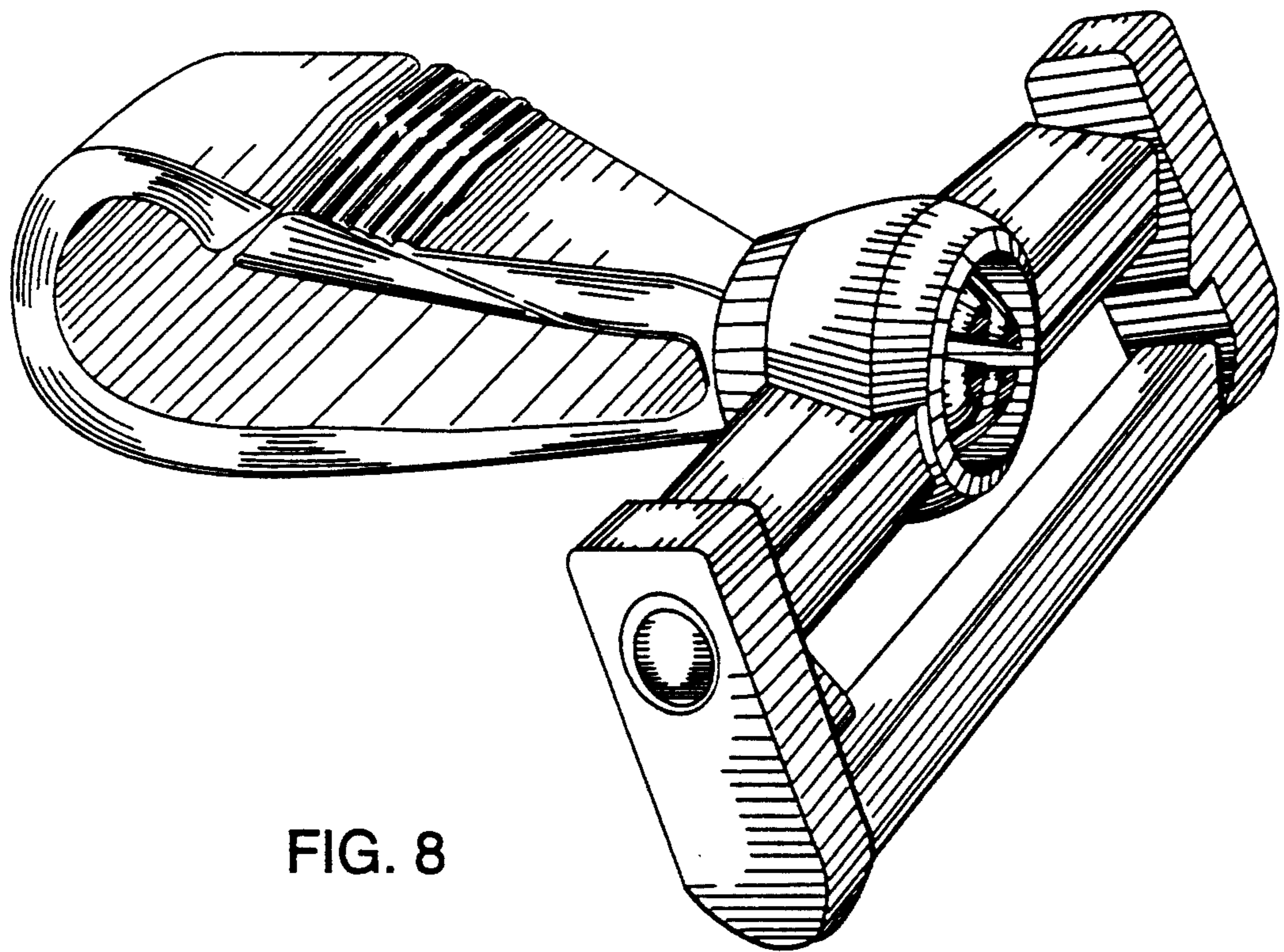


FIG. 8