



US00D348384S

# United States Patent [19]

[11] Patent Number: **Des. 348,384**

**Karsten**

[45] Date of Patent: **\*\* Jul. 5, 1994**

## [54] REGISTER MOUNTING BRACKET

[75] Inventor: **Lee Karsten**, Thiensville, Wis.

[73] Assignee: **Badger Meter, Inc.**, Milwaukee, Wis.

[\*\*] Term: **14 Years**

[21] Appl. No.: **5,316**

[22] Filed: **Feb. 26, 1993**

[52] U.S. Cl. .... **D8/363; D8/373**

[58] Field of Search ..... **D8/373, 363; D6/403, D6/524, 531, 535; 248/311.2, 315**

## [56] References Cited

### U.S. PATENT DOCUMENTS

D. 251,684	4/1979	Wood et al. ....	D8/373 X
D. 280,263	8/1985	Hoye .....	D6/535 X
D. 282,704	2/1986	Burnett .....	D6/535 X
D. 294,906	3/1988	Pool .....	D6/531
D. 306,689	3/1990	Hamann .....	D8/373 X
1,157,333	10/1915	Snell .....	248/315 X
2,451,550	10/1948	Haller .....	248/315 X
4,088,250	5/1978	Schaefer .....	248/315 X

## OTHER PUBLICATIONS

Architectural Record, Feb., 1963, p. 226, tumbler & toothbrush holder, item A at left of page.

Undated page from a Badger meter brochure showing components of the Trace Radio Frequency Meter Reading System, admitted prior art, (undated).

*Primary Examiner*—Wallace R. Burke

*Assistant Examiner*—H. Baynham

*Attorney, Agent, or Firm*—Quarles & Brady

## [57] CLAIM

The ornamental design for a register mounting bracket, as shown and described.

## DESCRIPTION

FIG. 1 is a perspective view taken from the top, front and right side of a register mounting bracket showing my new design;

FIG. 2 is a top plan view thereof;

FIG. 3 is a right side elevational view thereof;

FIG. 4 is a front elevational view thereof;

FIG. 5 is a bottom plan view thereof; and,

FIG. 6 is a left side elevational view thereof.

The fragmentary broken line representation in FIG. 3 of a register and related components with which my new design may be used is for the purpose of illustration only and forms no part of the claimed design.

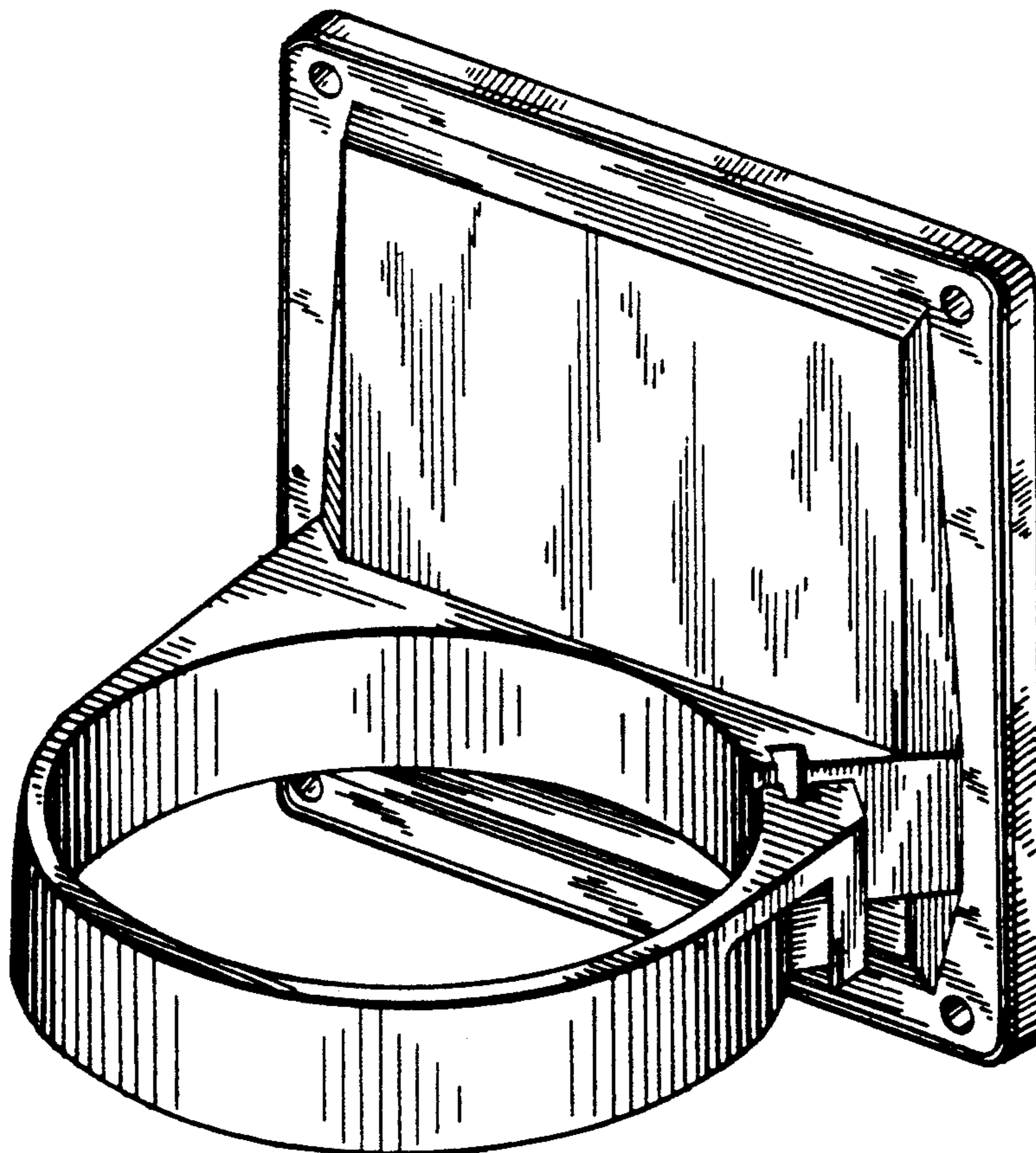


FIG. 1

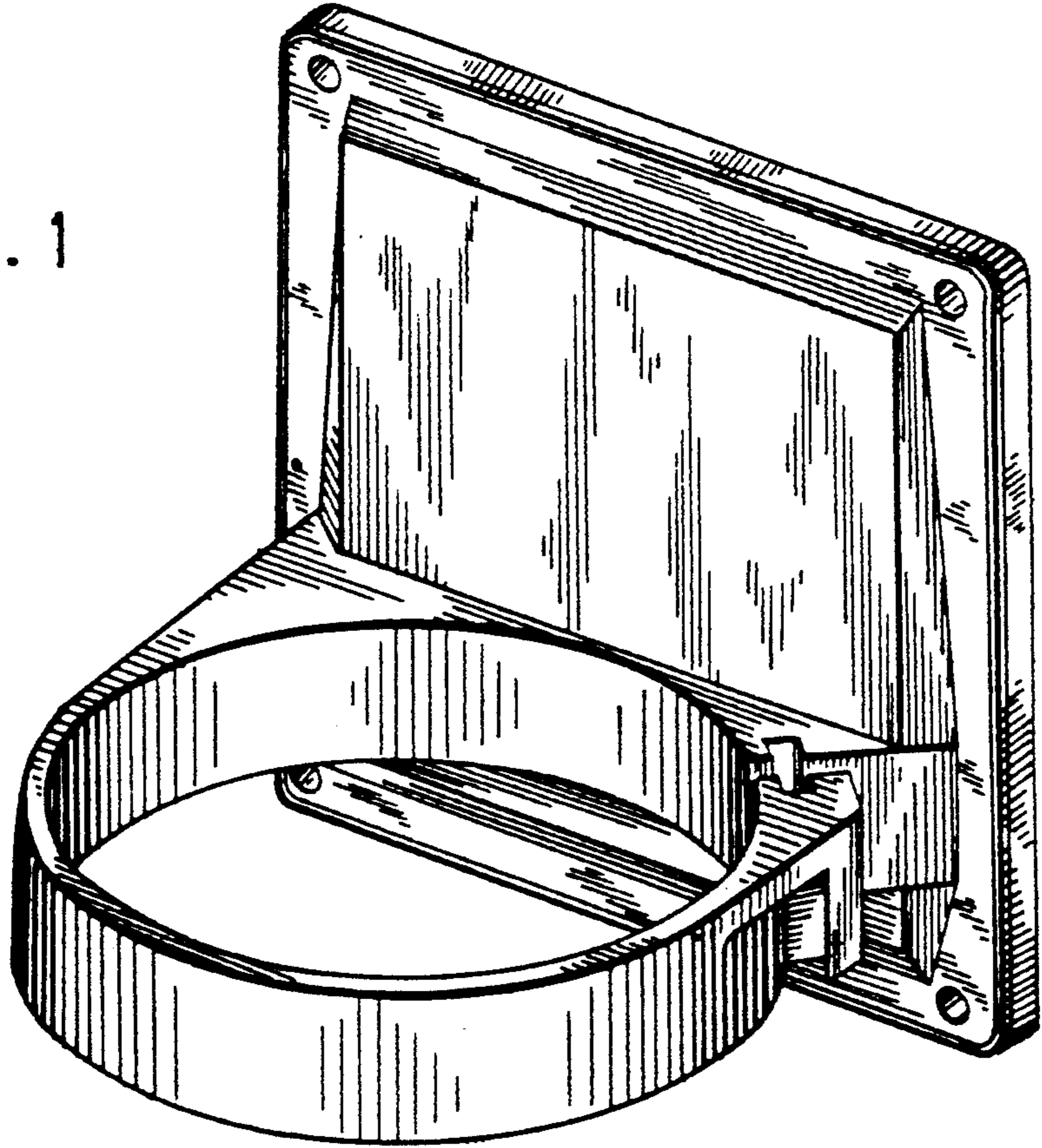


FIG. 2

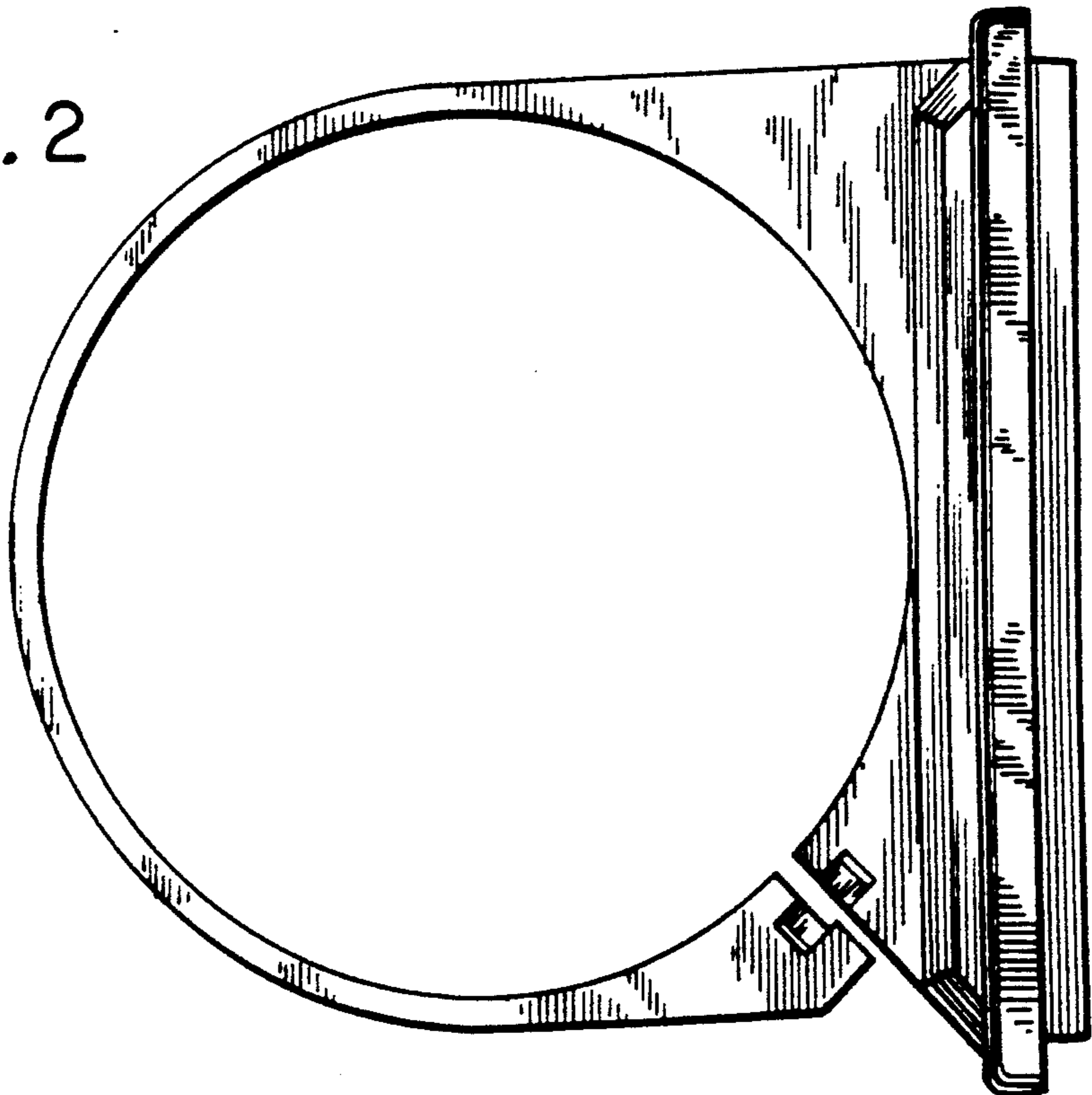


FIG. 3

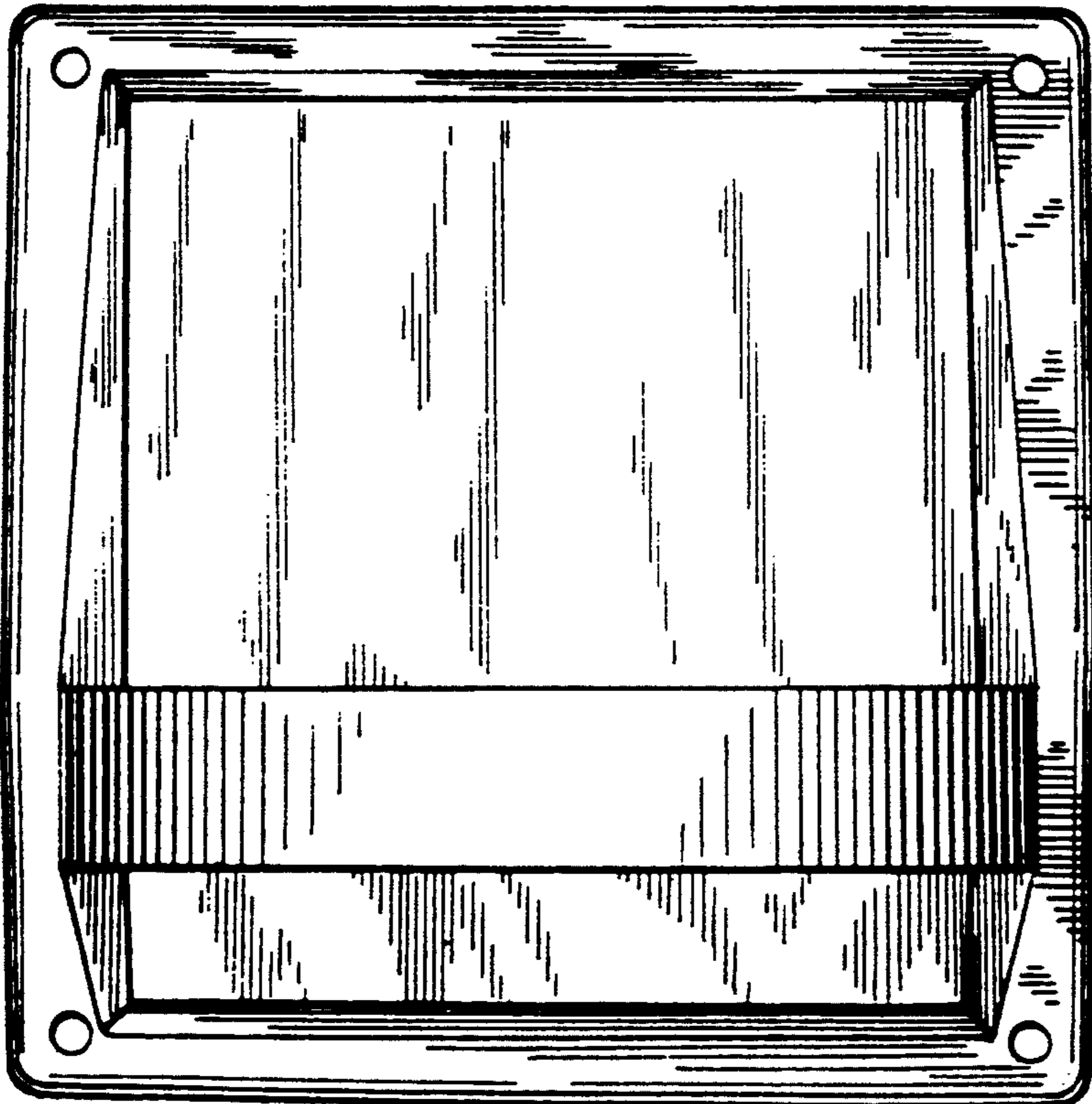
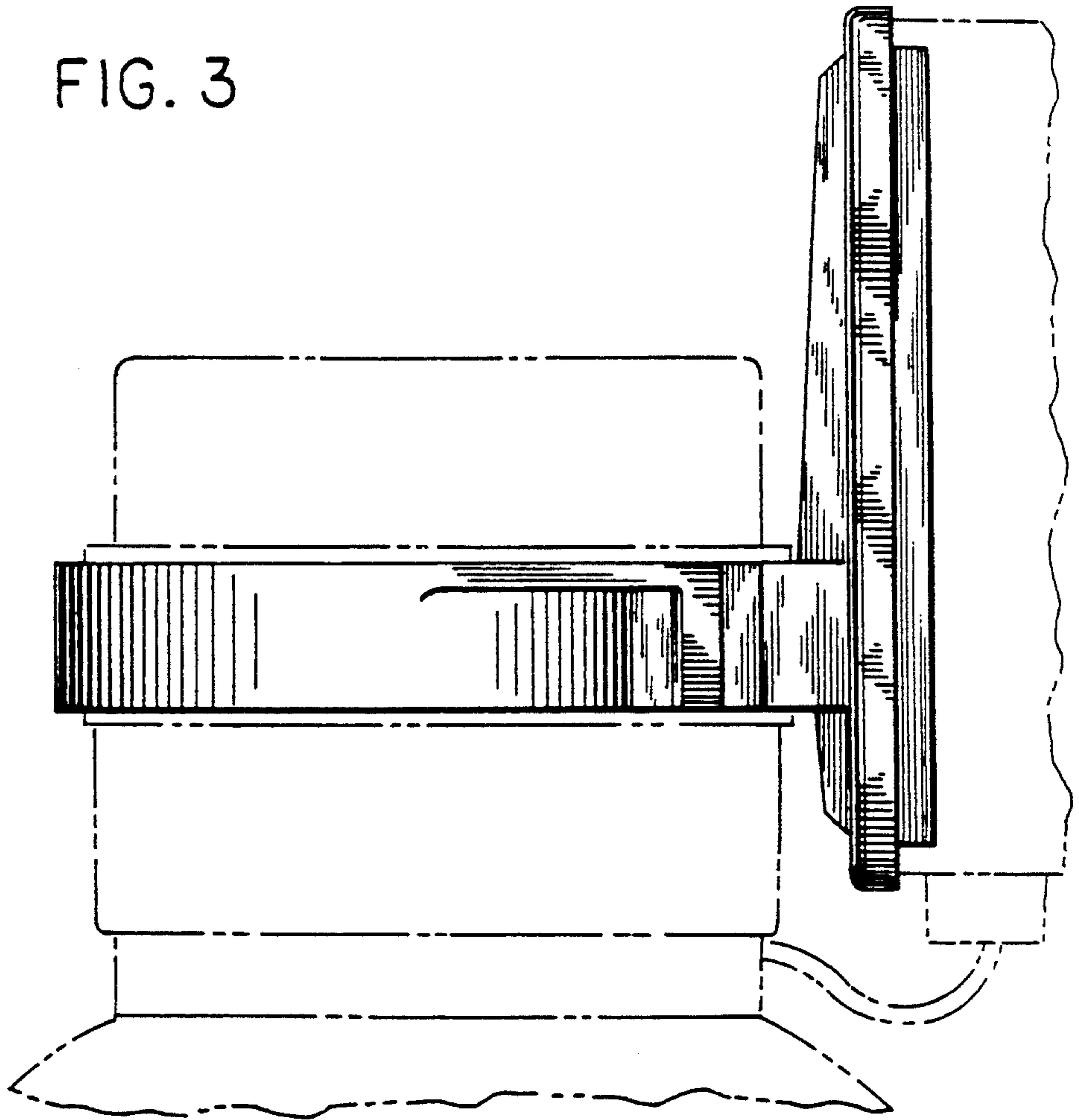


FIG. 4

FIG. 5

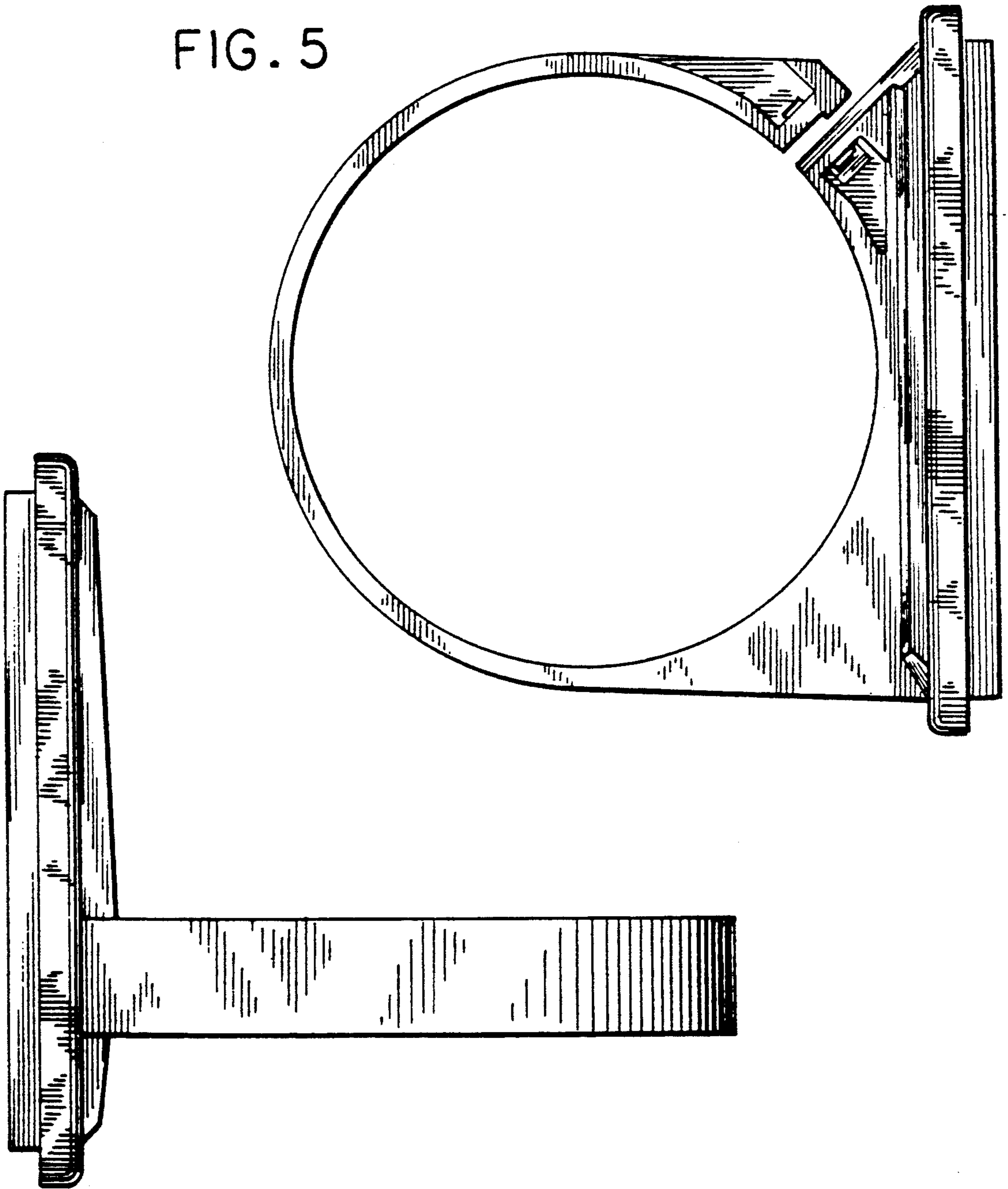


FIG. 6