



US00D348383S

United States Patent [19]

[11] Patent Number: **Des. 348,383**

Perkins

[45] Date of Patent: **** Jul. 5, 1994**

[54] **CUTTING TOOL**

| | | | |
|-----------|--------|-------------|--------|
| 4,941,260 | 7/1990 | Castelluzzo | 30/162 |
| 5,014,429 | 5/1991 | McNamara | 30/162 |
| 5,031,322 | 7/1991 | Jacoff | 30/162 |

[76] Inventor: **John H. Perkins**, 12 Coachmans Run, Avon, Conn. 06001

Primary Examiner—Bernard Ansher
Assistant Examiner—Philip Hyder
Attorney, Agent, or Firm—Kramer, Brufsky & Cifelli

[**] Term: **14 Years**

[21] Appl. No.: **812**

[57] **CLAIM**

[22] Filed: **Oct. 26, 1992**

The ornamental design for a cutting tool, as shown and described.

[52] U.S. Cl. **D8/99**

[58] Field of Search D8/99, 98; 30/162, 320, 30/329, 335, 337

DESCRIPTION

[56] **References Cited**

U.S. PATENT DOCUMENTS

| | | | |
|------------|---------|--------------|--------|
| D. 240,500 | 7/1976 | Richards | D8/99 |
| D. 293,202 | 12/1987 | West et al. | D8/107 |
| D. 299,413 | 1/1989 | DeCarolis | D8/99 |
| D. 305,096 | 12/1989 | Tench et al. | D8/99 |
| D. 319,378 | 8/1991 | Wilcox | D8/99 |
| 3,349,486 | 10/1967 | Voight | 30/294 |
| 3,879,847 | 4/1975 | Roll | 30/162 |
| 4,501,069 | 2/1985 | Kohno | 30/293 |

FIG. 1 is a perspective drawing of the cutting tool illustrating the design thereof;

FIG. 2 is a front view of the cutting tool of FIG. 1;

FIG. 3 is a top view of the cutting tool of FIG. 1;

FIG. 4 is a left side view of the cutting tool of FIG. 1;

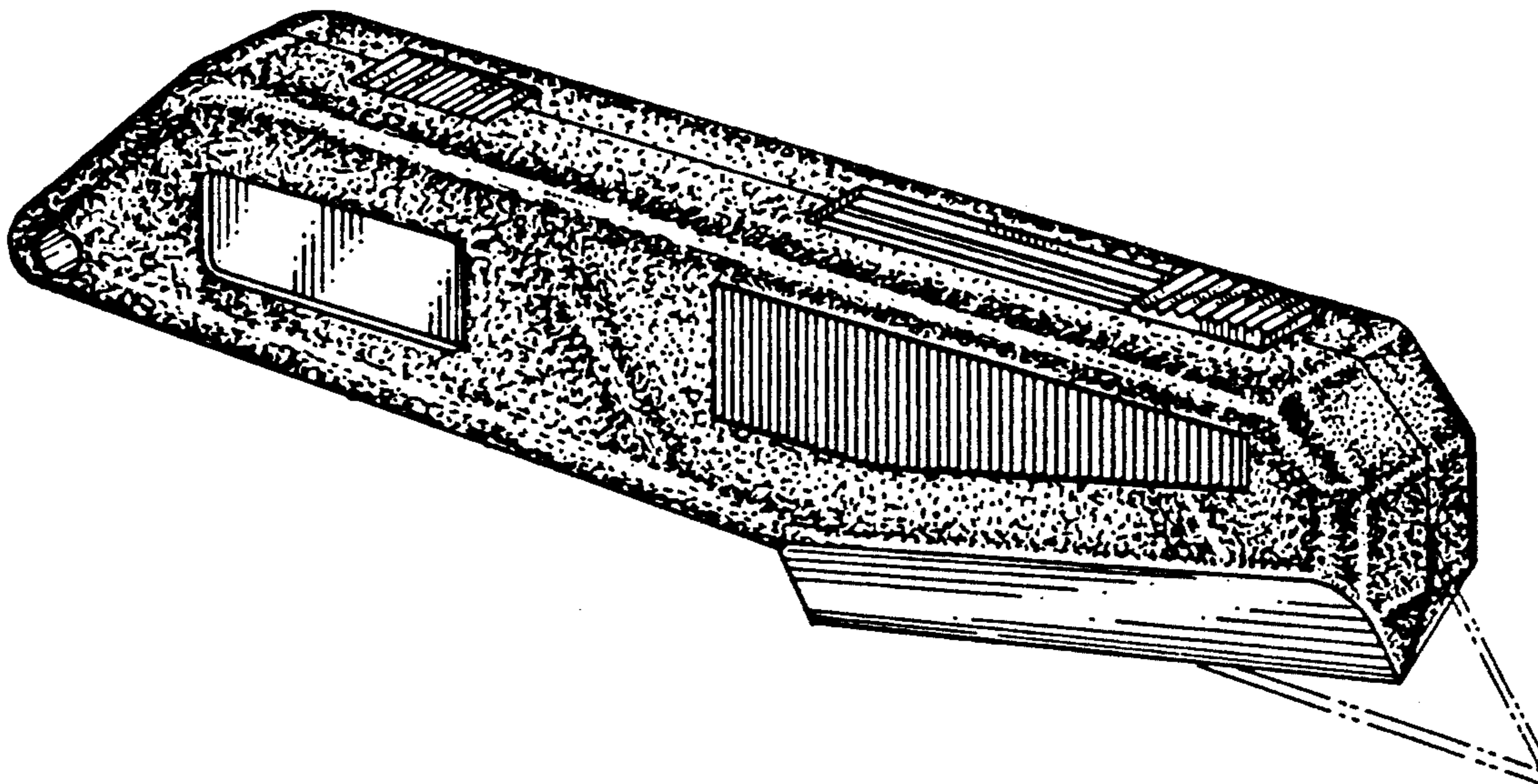
FIG. 5 is a right side view of the cutting tool of FIG. 1;

FIG. 6 is a bottom view of the cutting tool of FIG. 1;

and,

FIG. 7 is a rear view of the cutting tool of FIG. 1.

The broken line showing of the blade is for illustrative purposes only and forms no part of the claimed design.



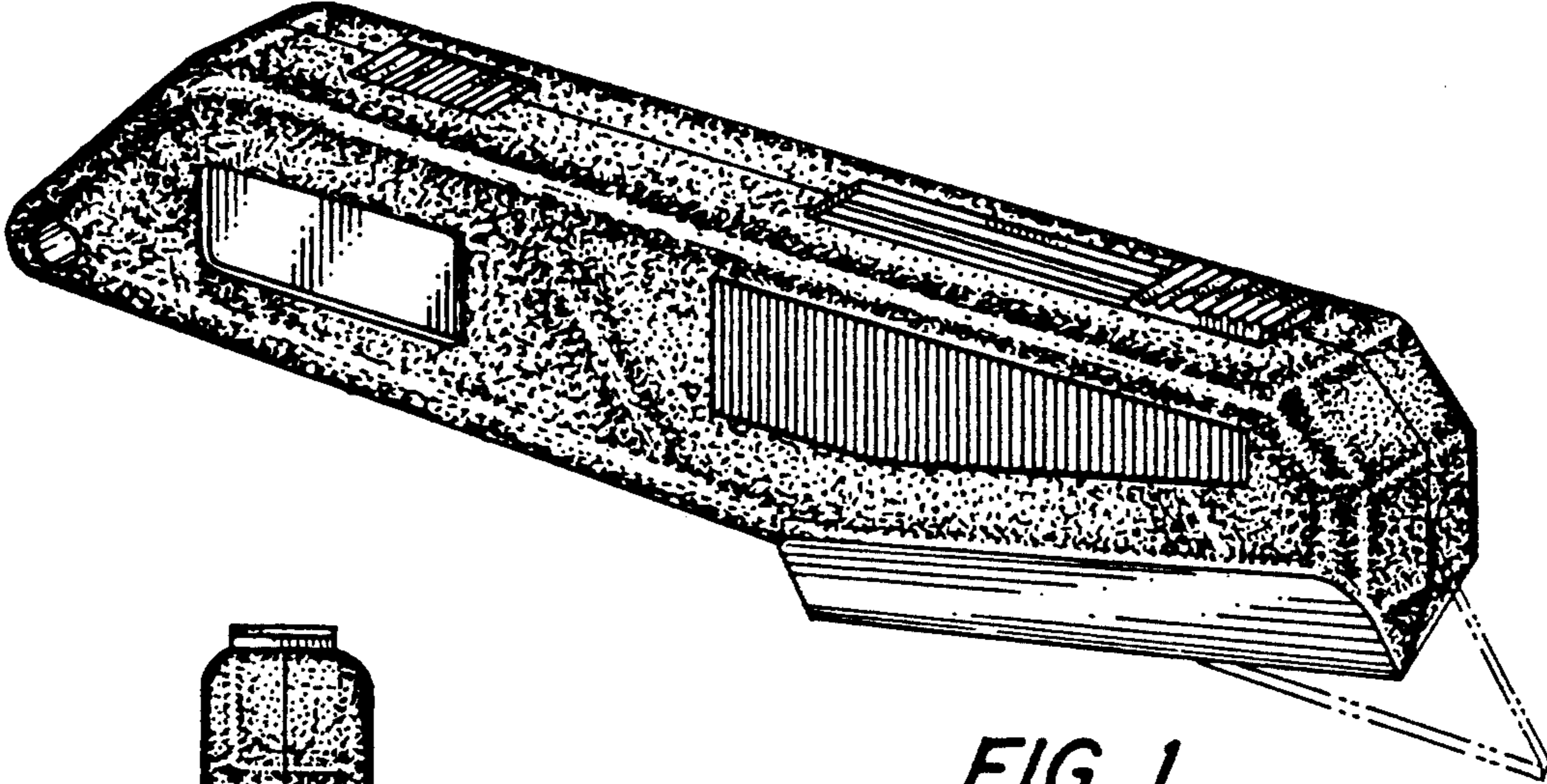


FIG. 1



FIG. 2

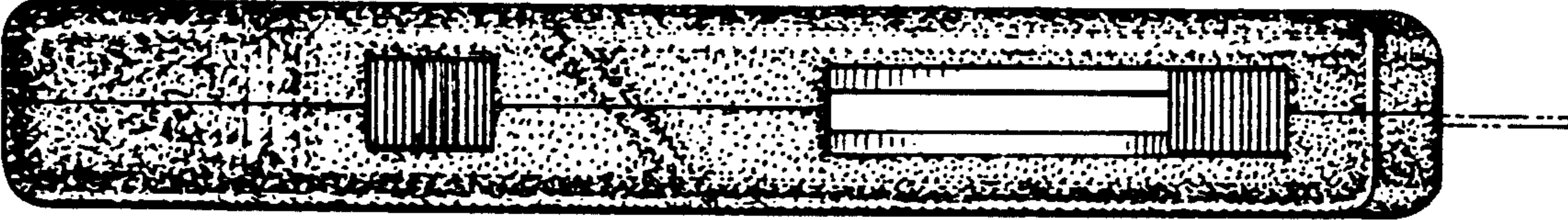


FIG. 3

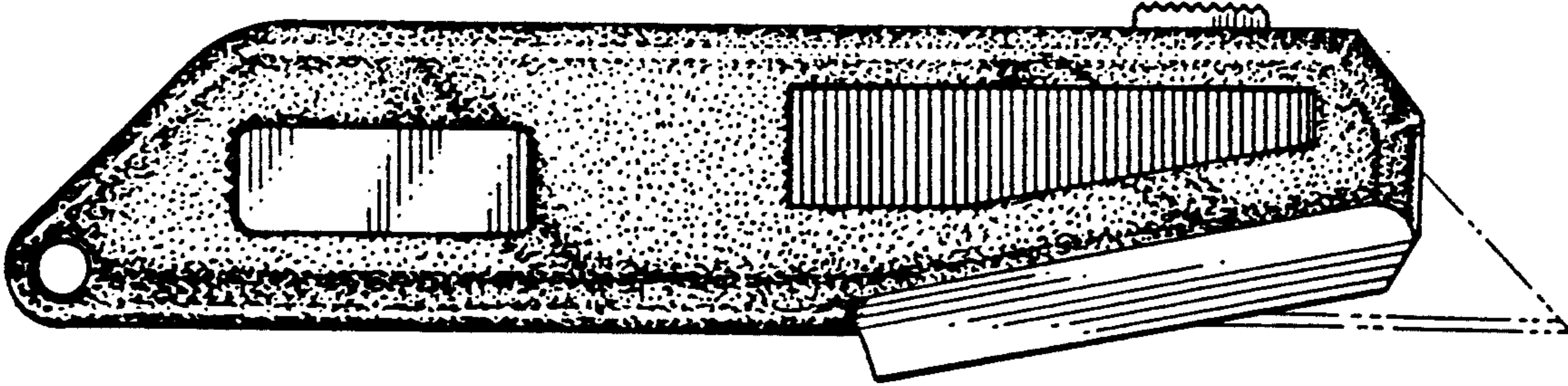


FIG. 4

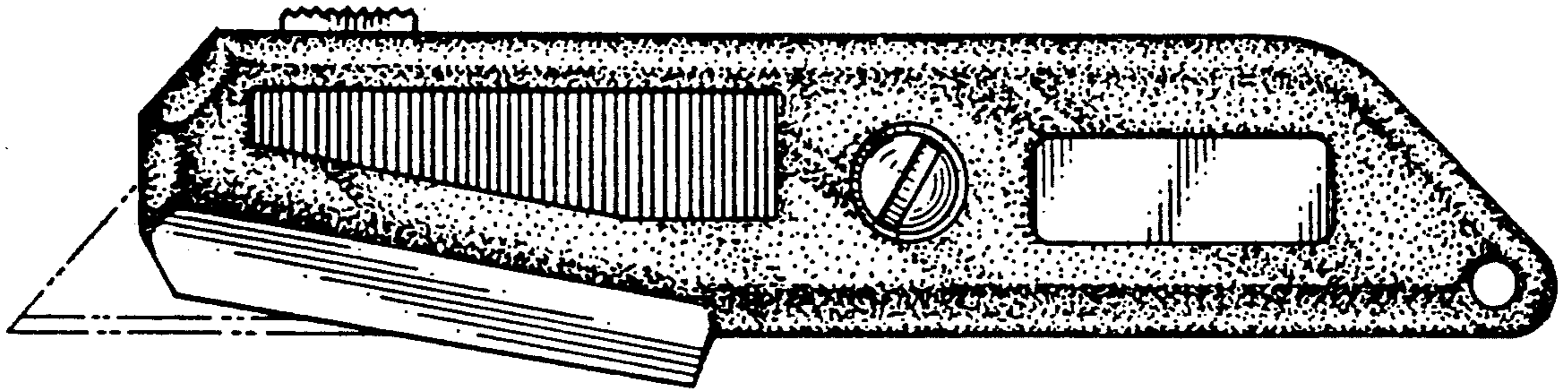


FIG. 5

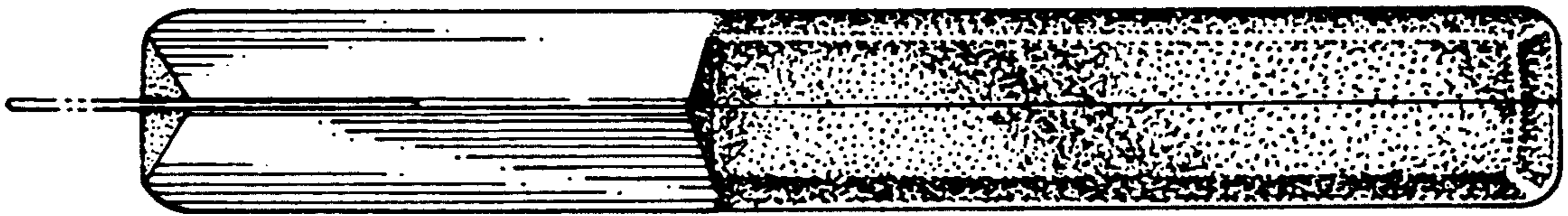


FIG. 6

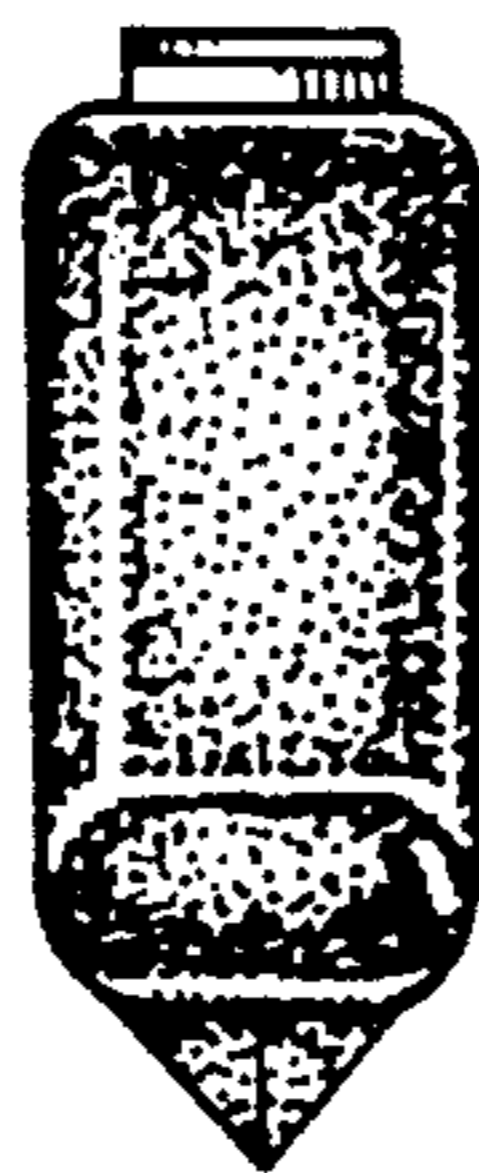


FIG. 7