



US00D348382S

# United States Patent [19]

[11] Patent Number: **Des. 348,382**

**Kaiser**

[45] Date of Patent: **\*\* Jul. 5, 1994**

[54] **PORTABLE FASTENER DRIVING DEVICE HOUSING**

[75] Inventor: **David W. Kaiser**, North Haven, Conn.

[73] Assignee: **Stanley-Bostitch, Inc.**, East Greenwich, R.I.

[\*\*] Term: **14 Years**

[21] Appl. No.: **7,449**

[22] Filed: **Apr. 22, 1993**

[52] U.S. Cl. .... **D8/70; D8/69**

[58] Field of Search ..... **D8/70, 61, 69, 49; 227/8, 10, 120, 130, 131**

[56] **References Cited**

**U.S. PATENT DOCUMENTS**

D. 316,022	4/1991	Moraht	.....	D8/69
D. 330,836	11/1992	Fushiya et al.	.....	D8/69
D. 334,329	3/1993	Ogawa et al.	.....	D8/69 X
D. 338,606	8/1993	Oda	.....	D8/69

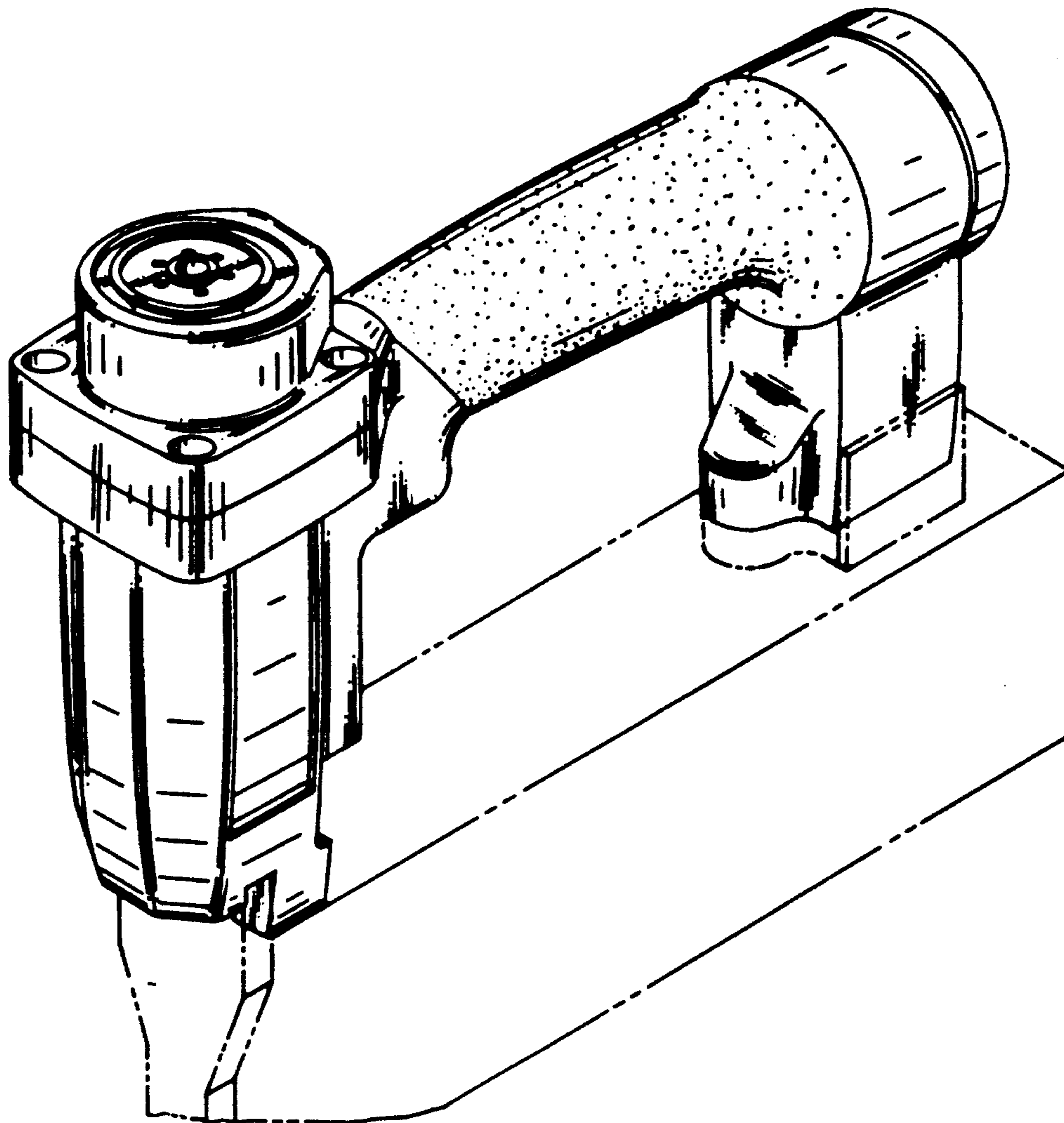
*Primary Examiner*—Alan P. Douglas  
*Assistant Examiner*—Jeff H. Musgrove  
*Attorney, Agent, or Firm*—Cushman, Darby & Cushman

[57] **CLAIM**

The ornamental design for a portable fastener driving device housing, as shown and described.

**DESCRIPTION**

FIG. 1 is a perspective view of a portable fastener driving device housing showing my new design, looking at the top, front and left side, the magazine assembly and nosepiece of the device being shown in phantom lines; FIG. 2 is a left side elevational view thereof, the right side thereof being a mirror image thereof; FIG. 3 is a front elevational view thereof; FIG. 4 is a rear elevational view thereof; FIG. 5 is a top plan view thereof; and, FIG. 6 is a bottom plan view thereof. The broken line showing of the magazine assembly and nosepiece is for illustrative purposes only and forms no part of the claimed design.



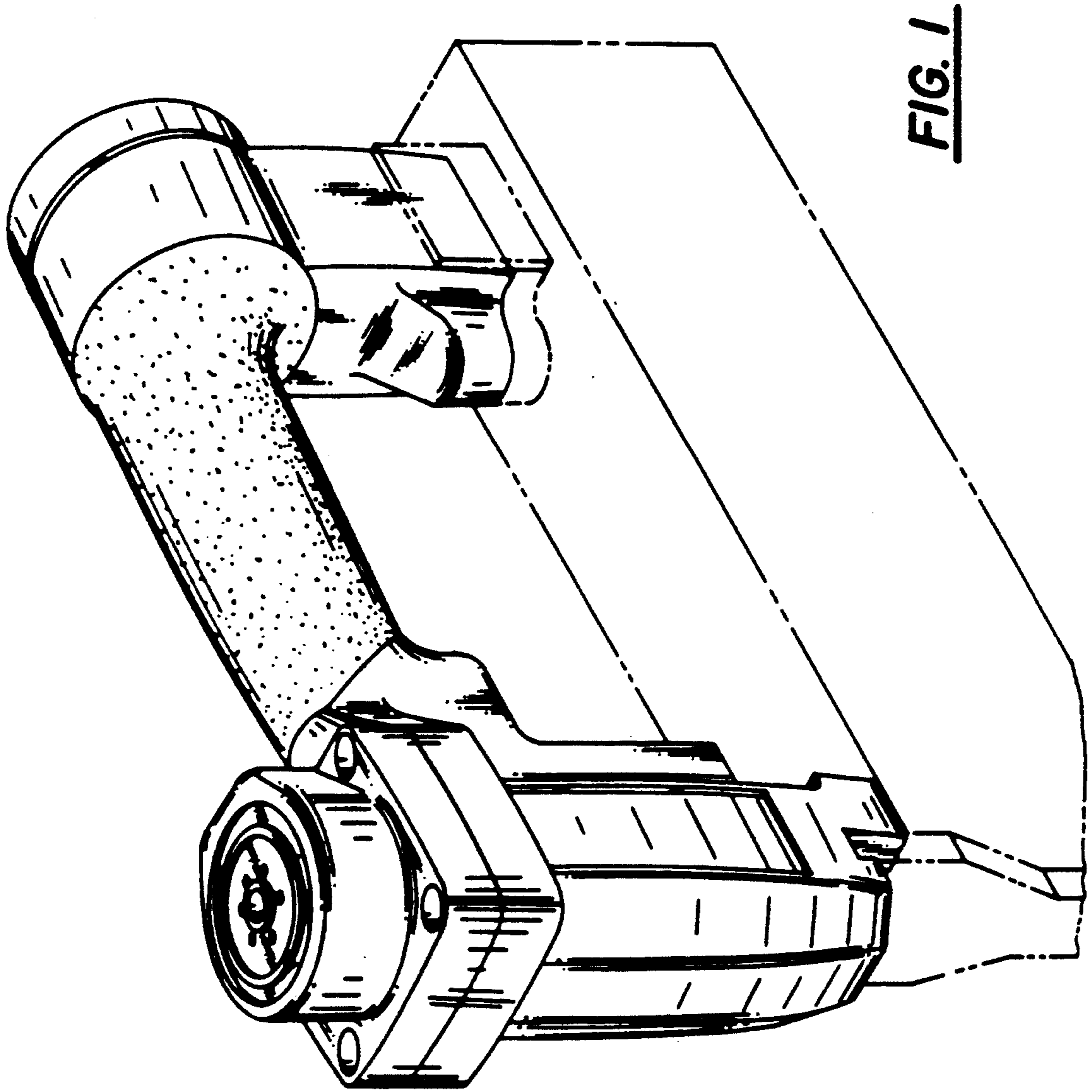


FIG. 1

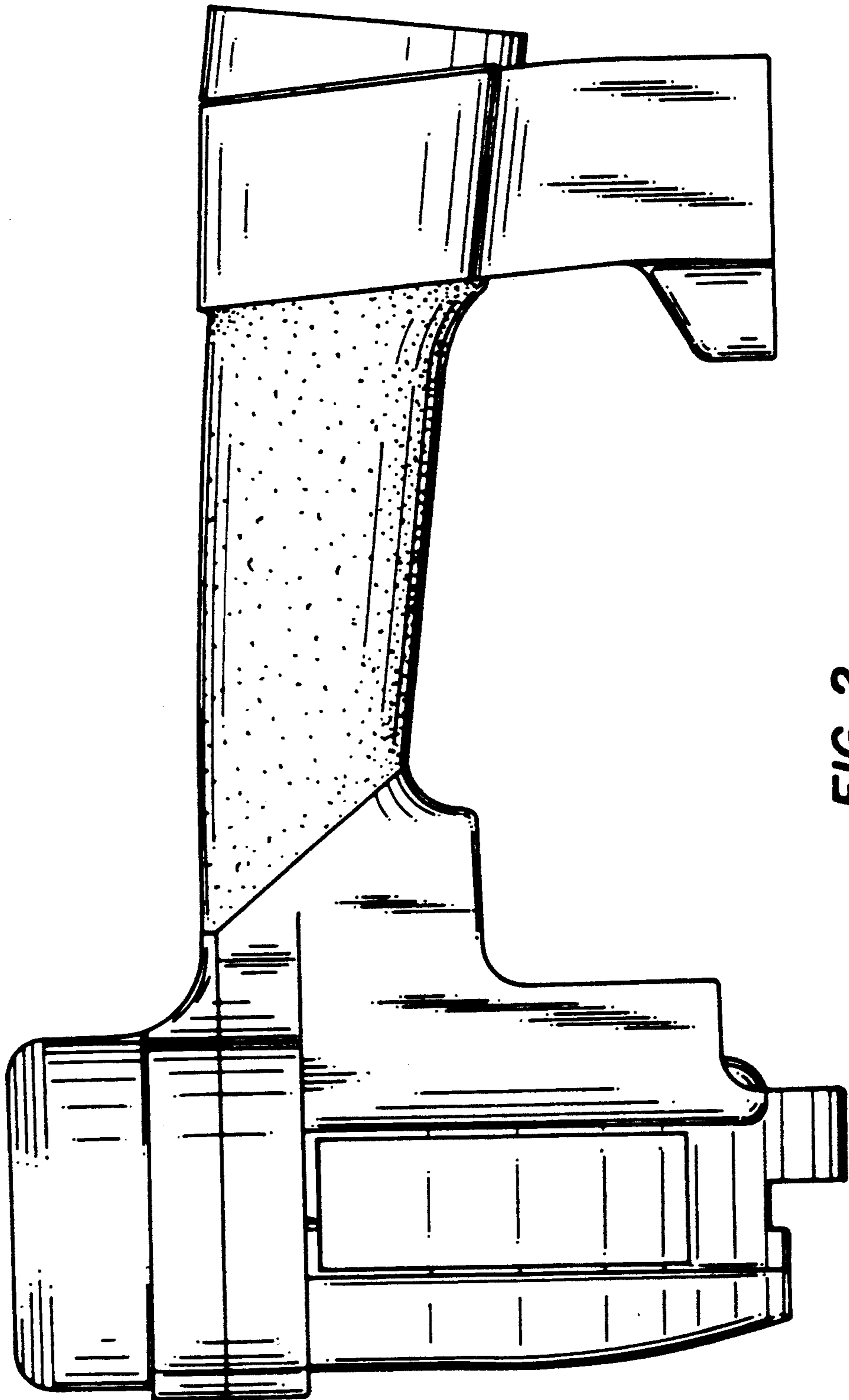


FIG. 2

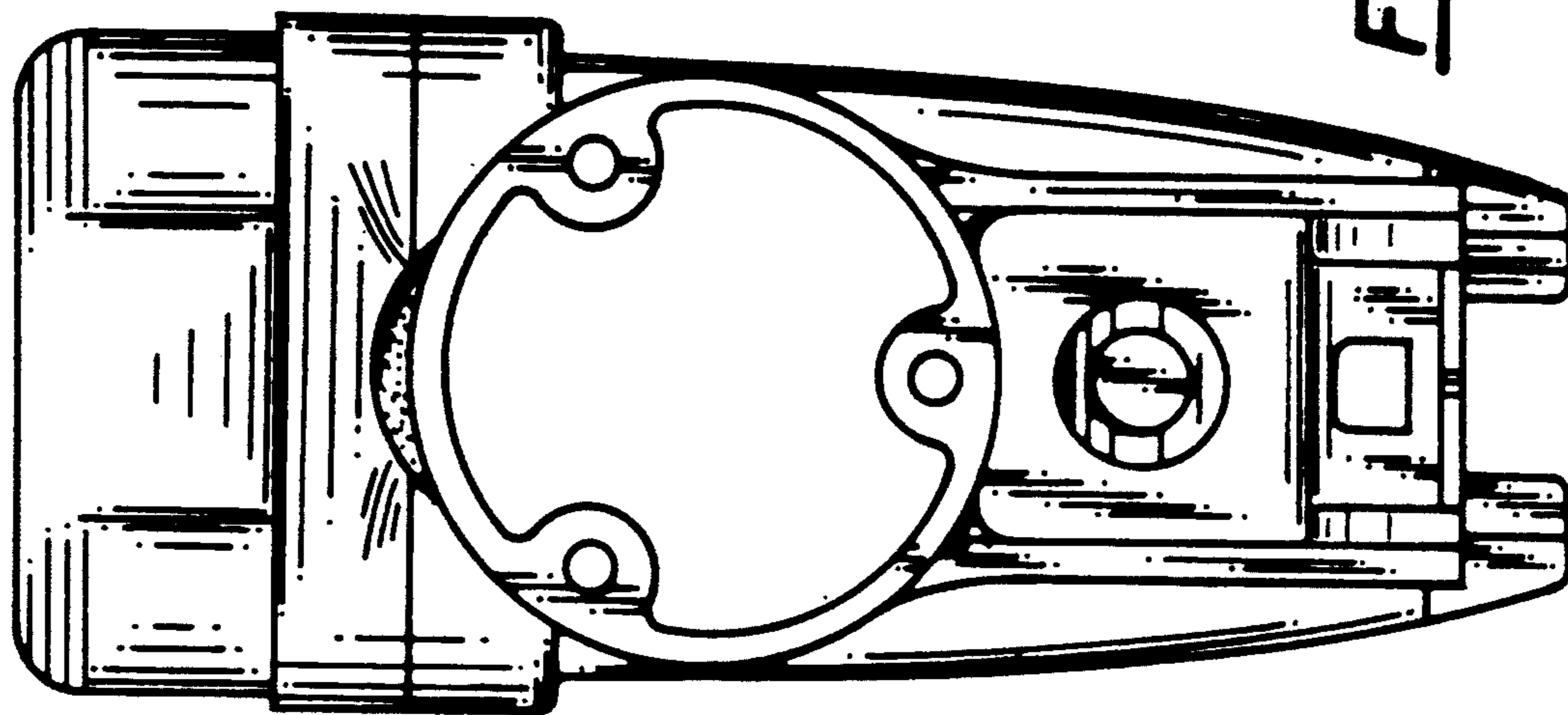


FIG. 4

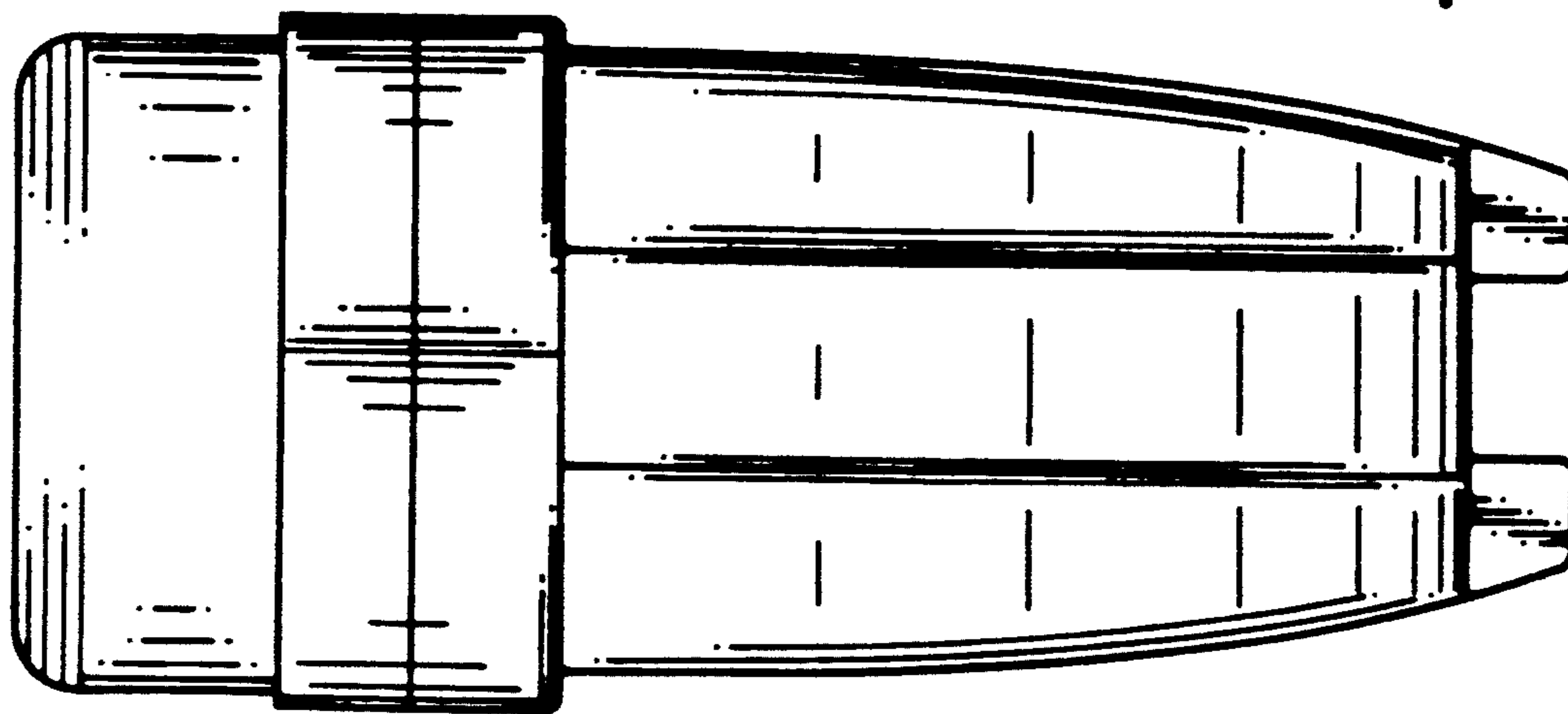


FIG. 3

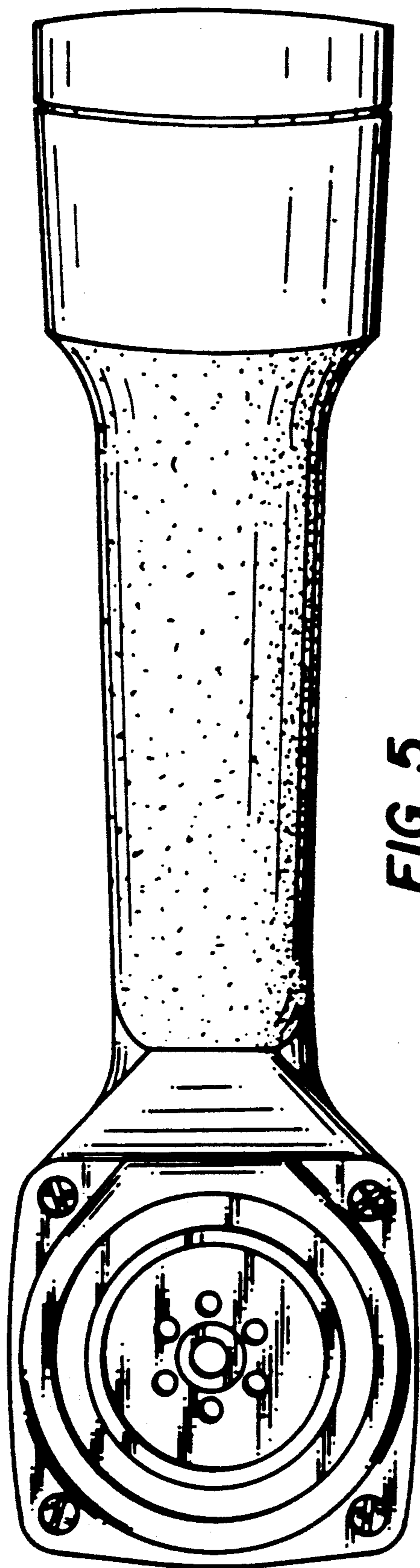


FIG. 5

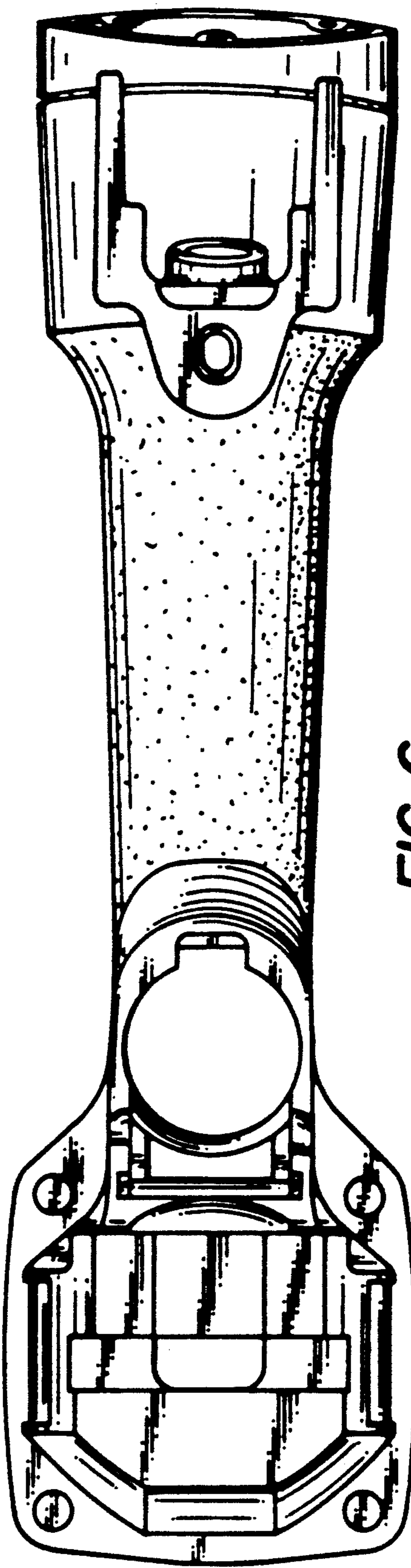


FIG. 6