



US00D348379S

# United States Patent [19]

[11] Patent Number: **Des. 348,379**

**Parella**

[45] Date of Patent: **\*\* Jul. 5, 1994**

[54] **NAPKIN DISPENSER**

2,081,564 5/1937 Tuszynski ..... D7/631 X

[76] Inventor: **Armando Parella**, 37 Waters Ave.,  
Everett, Mass. 02149

*Primary Examiner*—Terry A. Wallace  
*Attorney, Agent, or Firm*—John P. McGonagle

[\*\*] Term: **14 Years**

[57] **CLAIM**

[21] Appl. No.: **3,646**

The ornamental design for a napkin dispenser, as shown and described.

[22] Filed: **Jan. 12, 1993**

**DESCRIPTION**

[52] U.S. Cl. .... **D7/631**

[58] Field of Search ..... **D7/631-632,**  
**D7/634; 206/494, 449; 211/49.1, 50; 221/33,**  
**45-46, 56, 63**

FIG. 1 is a perspective view of a napkin dispenser showing my new design, the napkins shown in broken lines for illustrative purposes only;

FIG. 2 is a top plan view thereof;

FIG. 3 is a front elevational view thereof;

FIG. 4 is a side elevational view thereof, the opposite side being a mirror image thereof;

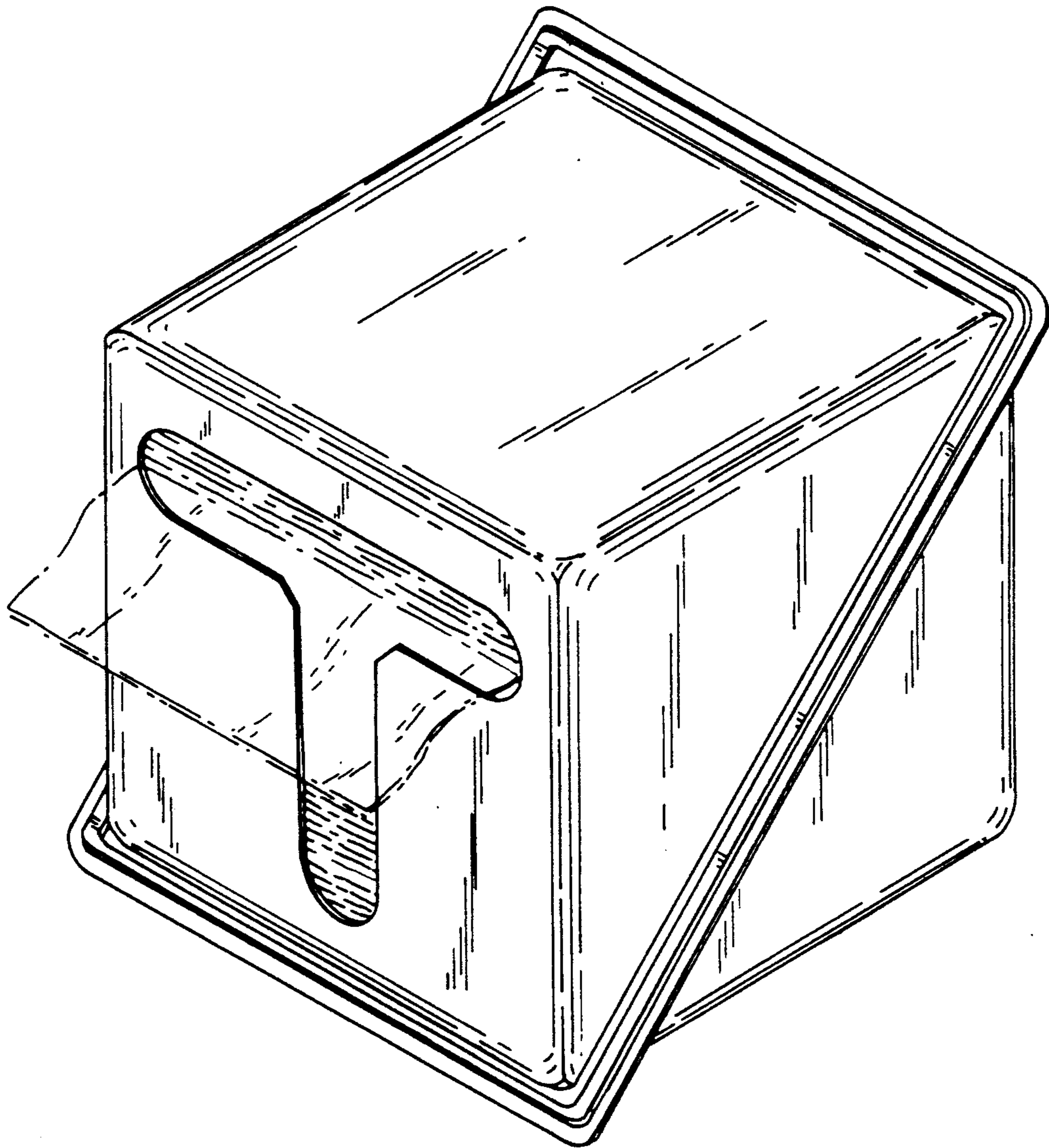
FIG. 5 is a bottom plan view thereof; and,

FIG. 6 is a back elevational view thereof.

[56] **References Cited**

**U.S. PATENT DOCUMENTS**

D. 296,063 6/1988 Morrison et al. .... D7/631  
2,080,691 5/1937 Broeren ..... D7/631 X



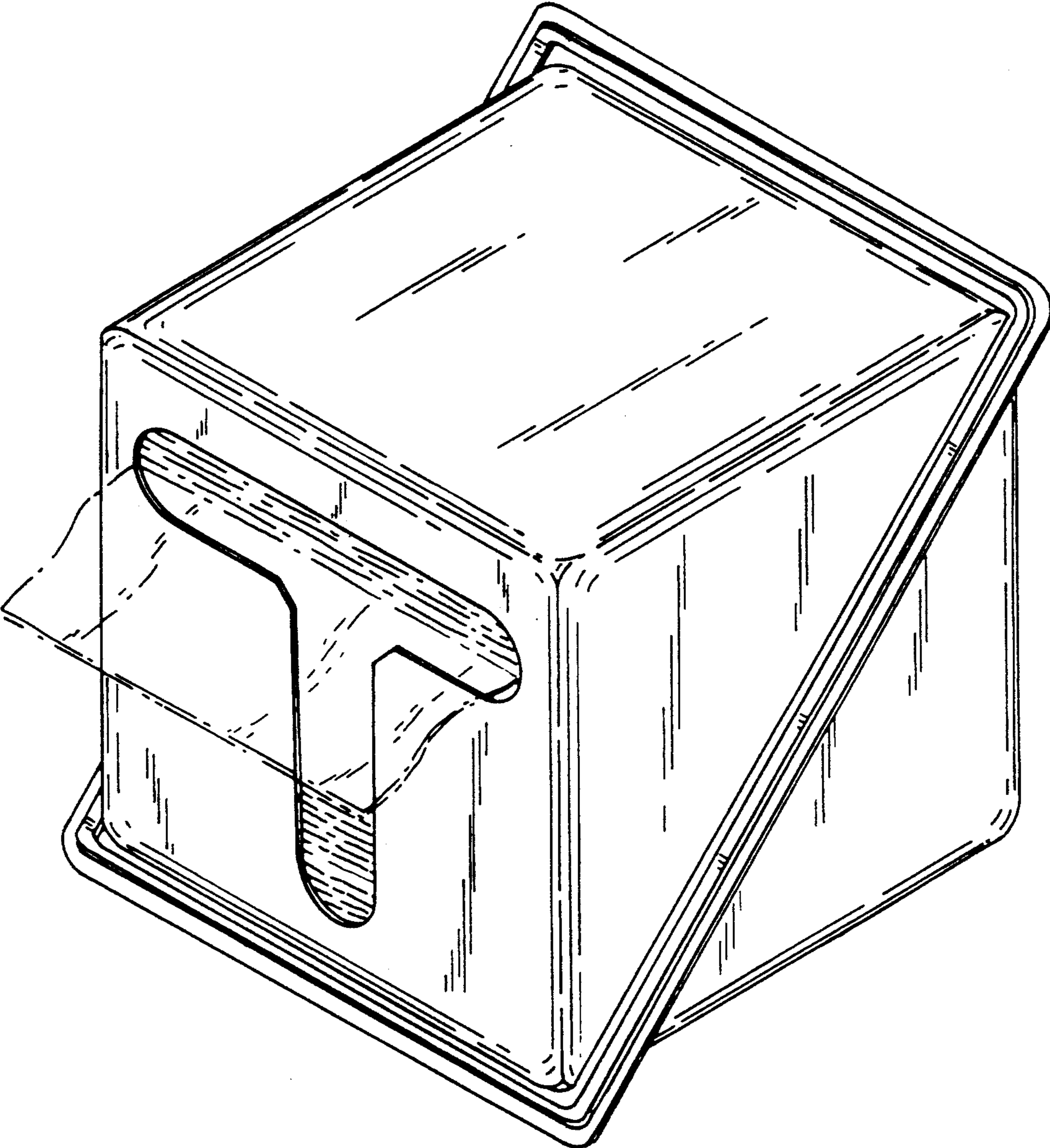


FIG. 1

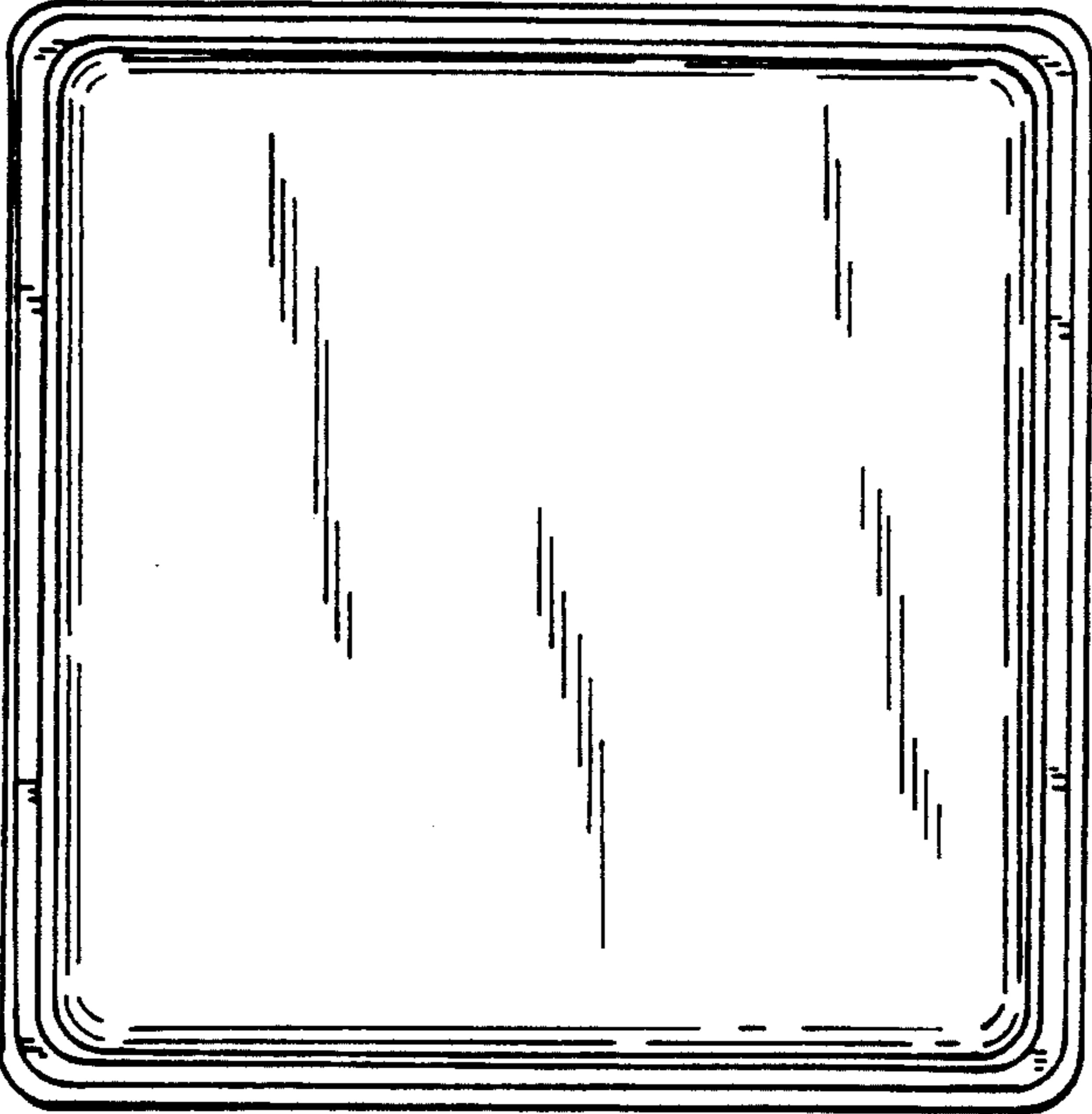


FIG. 2

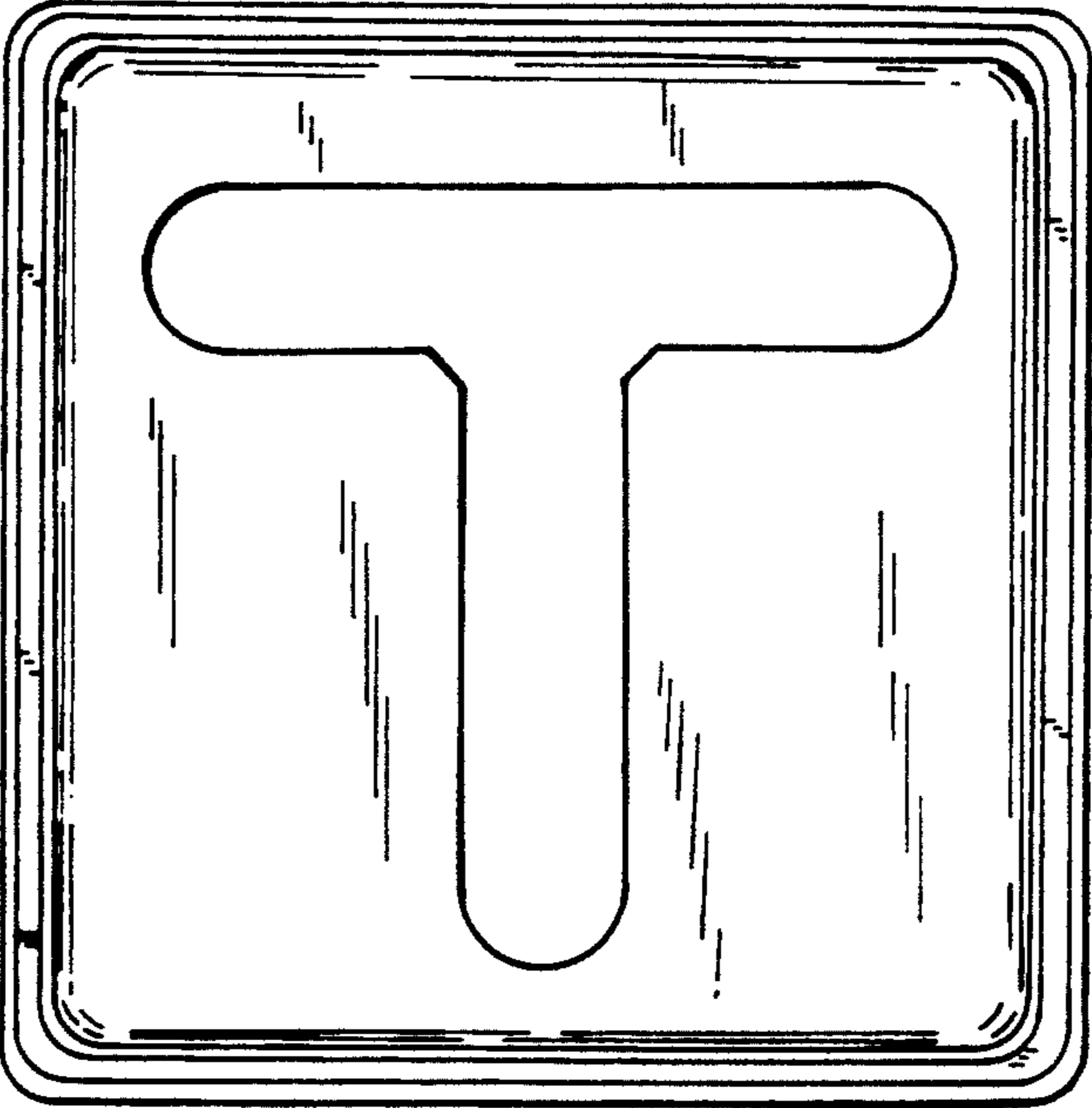


FIG. 3

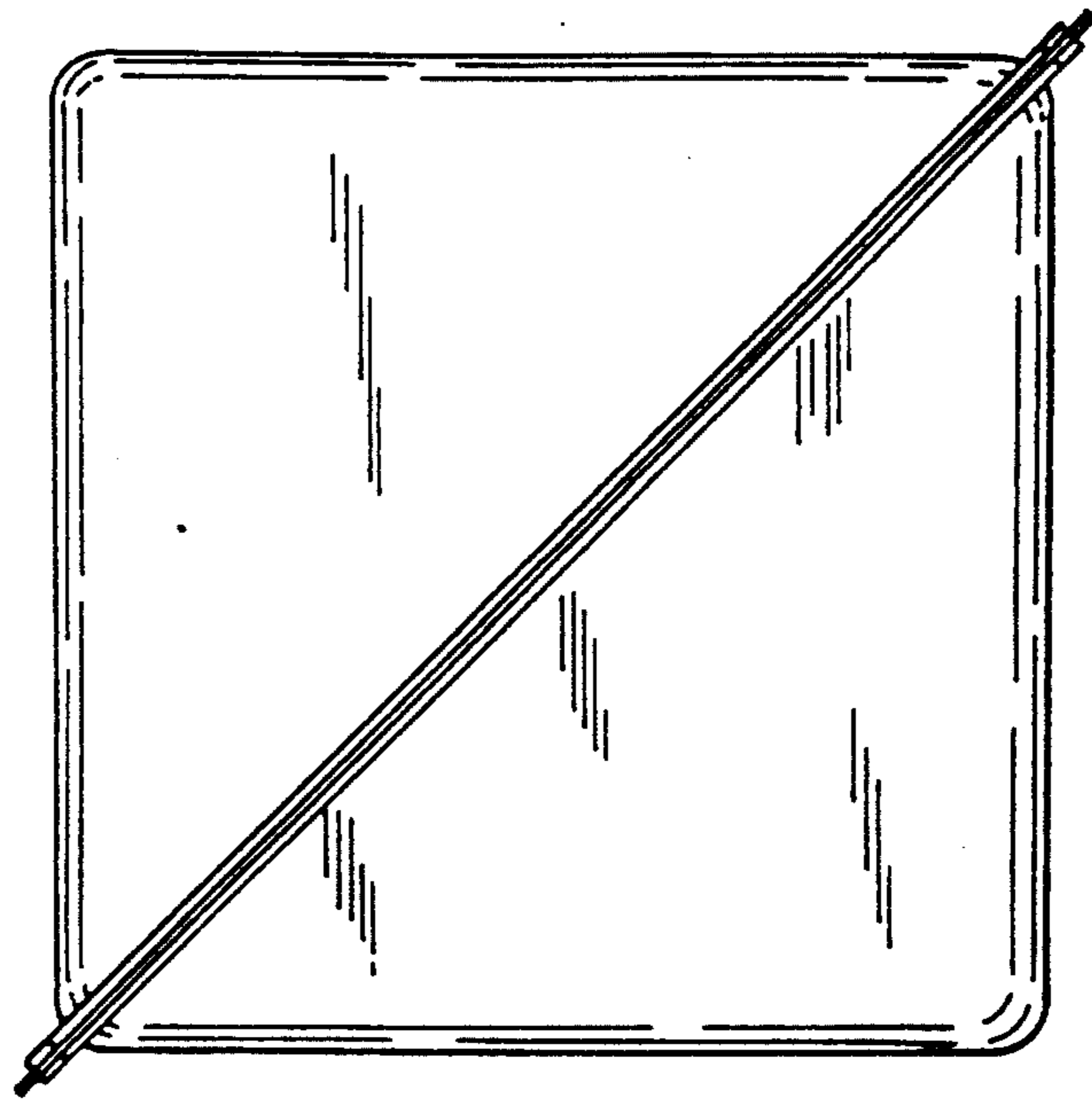


FIG. 4

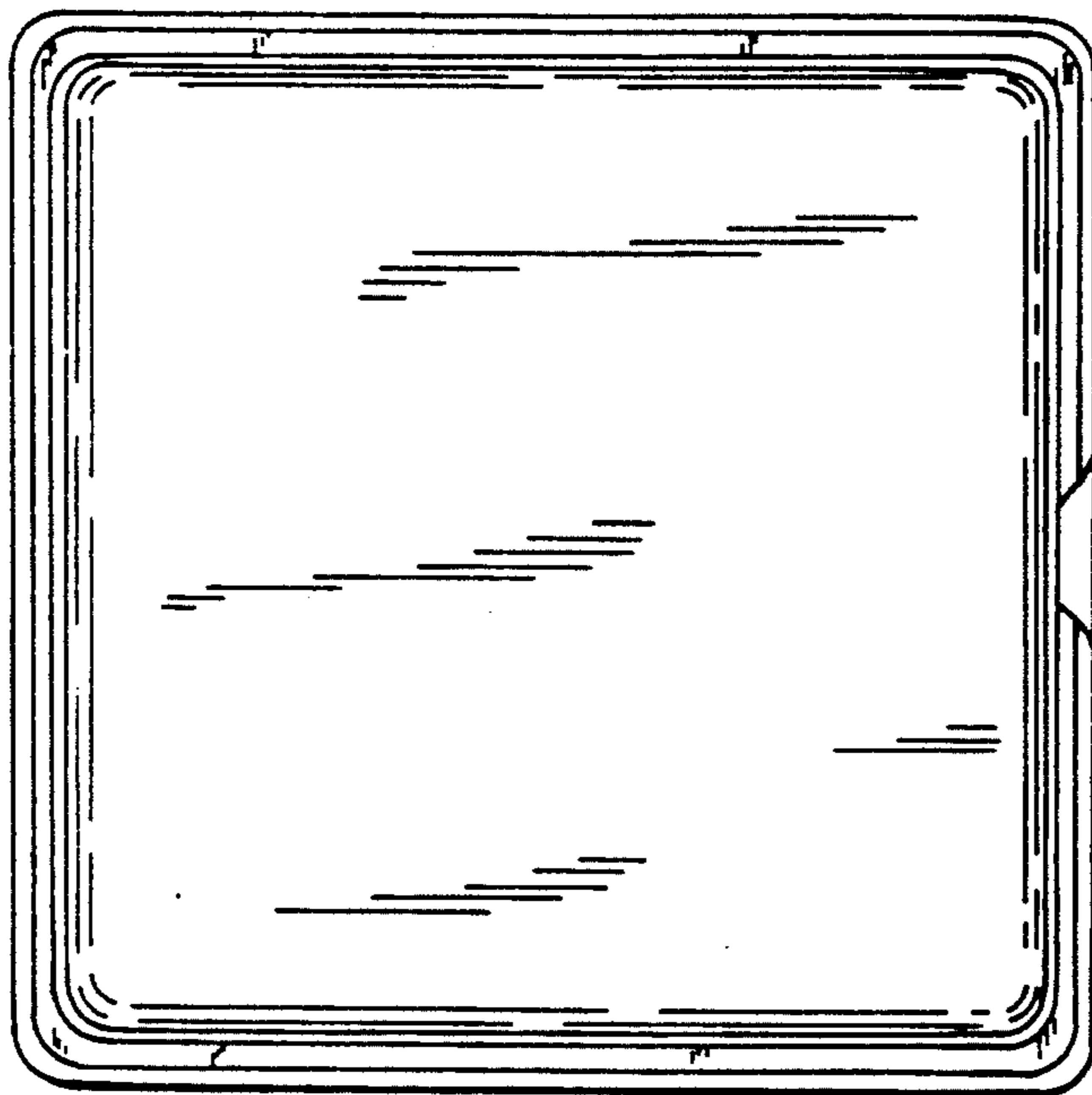


FIG. 5

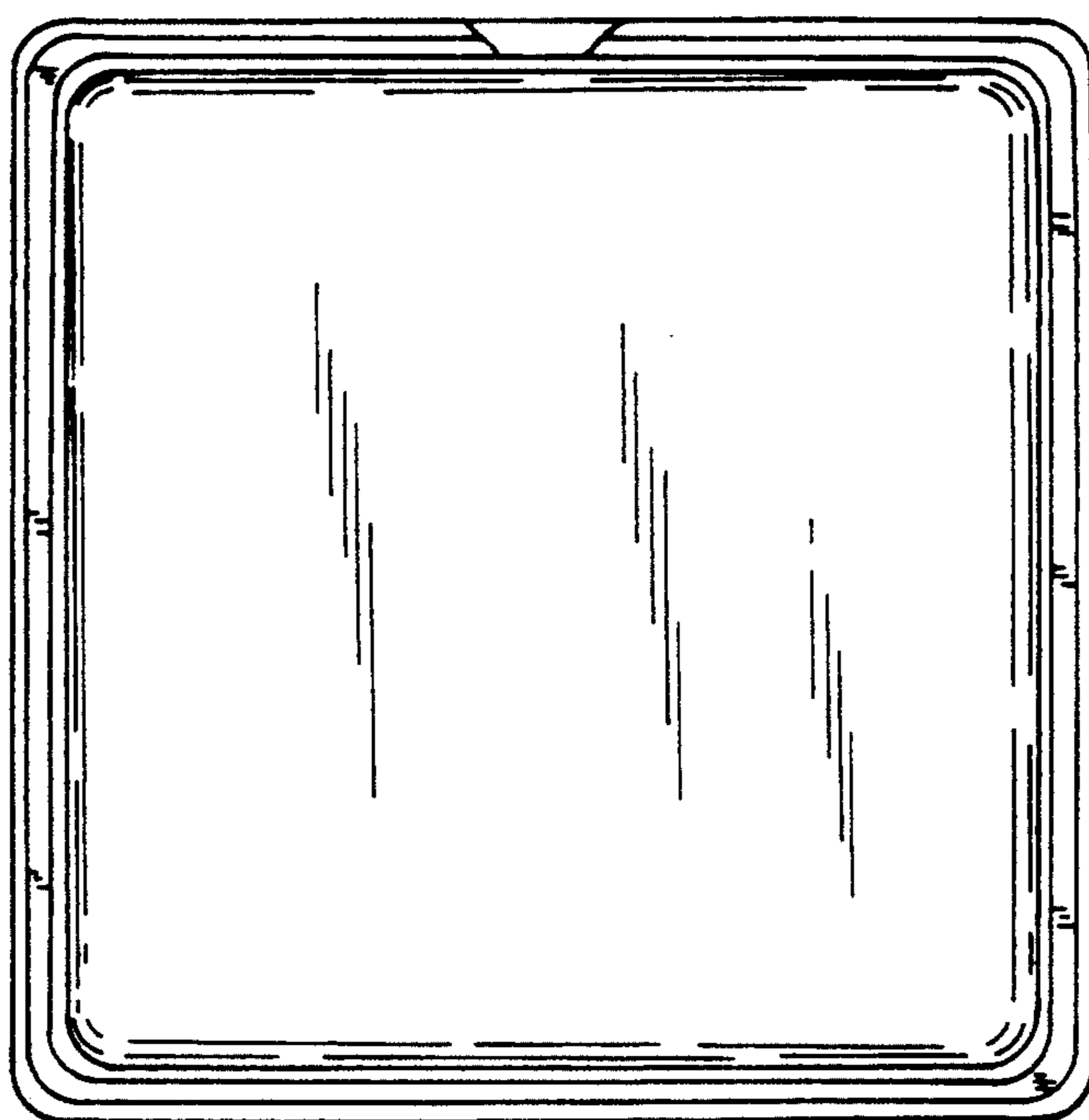


FIG. 6