



US00D348374S

United States Patent [19]
Dandurand

[11] **Patent Number: Des. 348,374**
[45] **Date of Patent: ** Jul. 5, 1994**

[54] **KNIFE SHARPENING CUTTING BOARD**

[76] **Inventor: Kim A. Dandurand, P.O. Box 1467, Sandpoint, Id. 83864-0866**

[**] **Term: 14 Years**

[21] **Appl. No.: 878,003**

[22] **Filed: May 1, 1992**

[52] **U.S. Cl. D7/698; D8/93**

[58] **Field of Search D7/698, 673; D8/91, D8/93; 269/289 R, 291, 292, 295, 297, 302.1, 303, 900, 902**

[56] **References Cited**

U.S. PATENT DOCUMENTS

3,289,498 12/1966 Pleasants D8/93 X
3,797,334 3/1974 Sinclair D8/91 X

FOREIGN PATENT DOCUMENTS

366852 2/1932 United Kingdom 269/289
611862 11/1948 United Kingdom D7//289

OTHER PUBLICATIONS

Birchlite Industries, Inc. Brochure, "Cutting Boards of Distinction." date unknown.

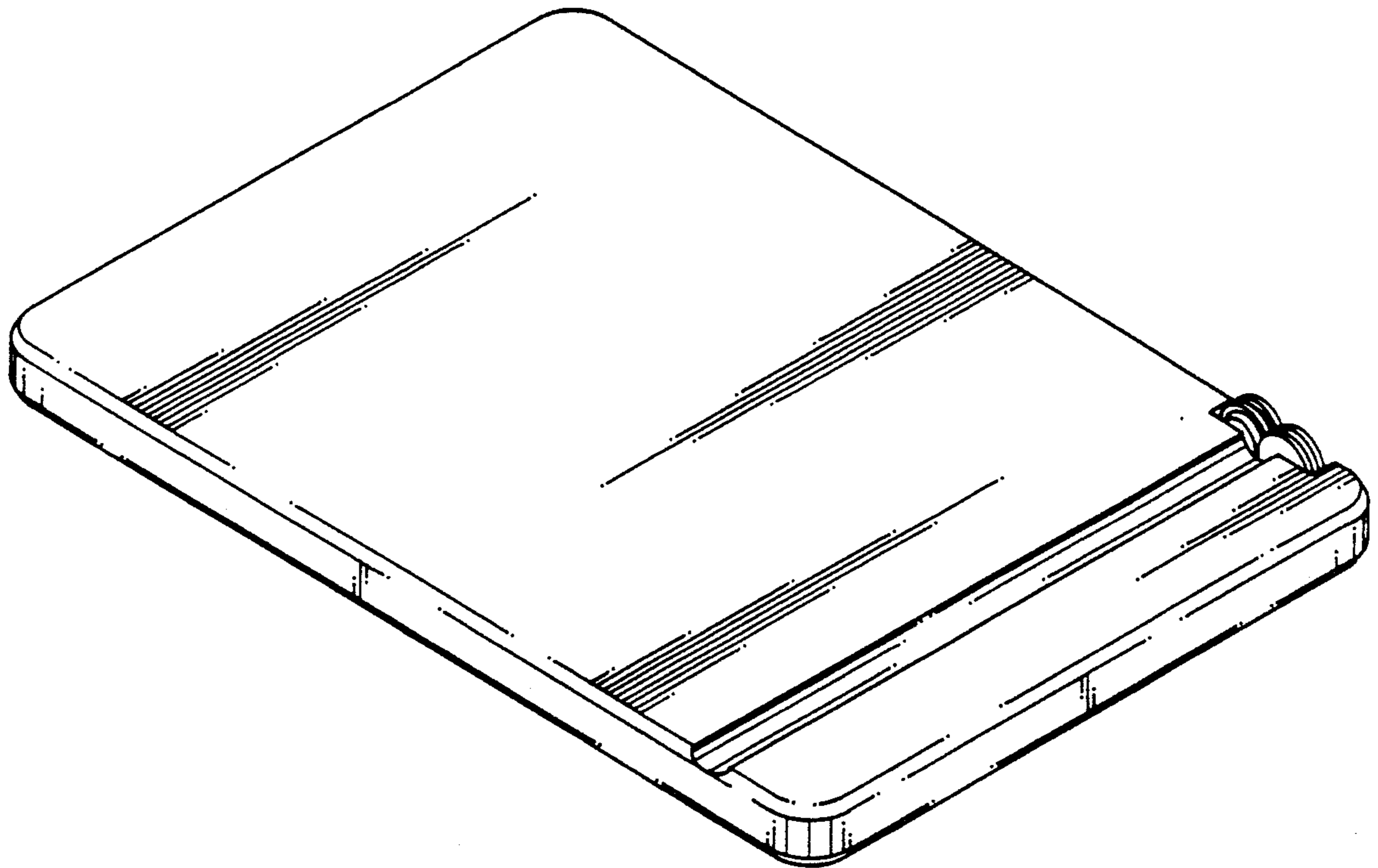
Primary Examiner—Alan P. Douglas
Assistant Examiner—Caron D. Veynar
Attorney, Agent, or Firm—Wells, St. John, Roberts, Gregory & Matkin

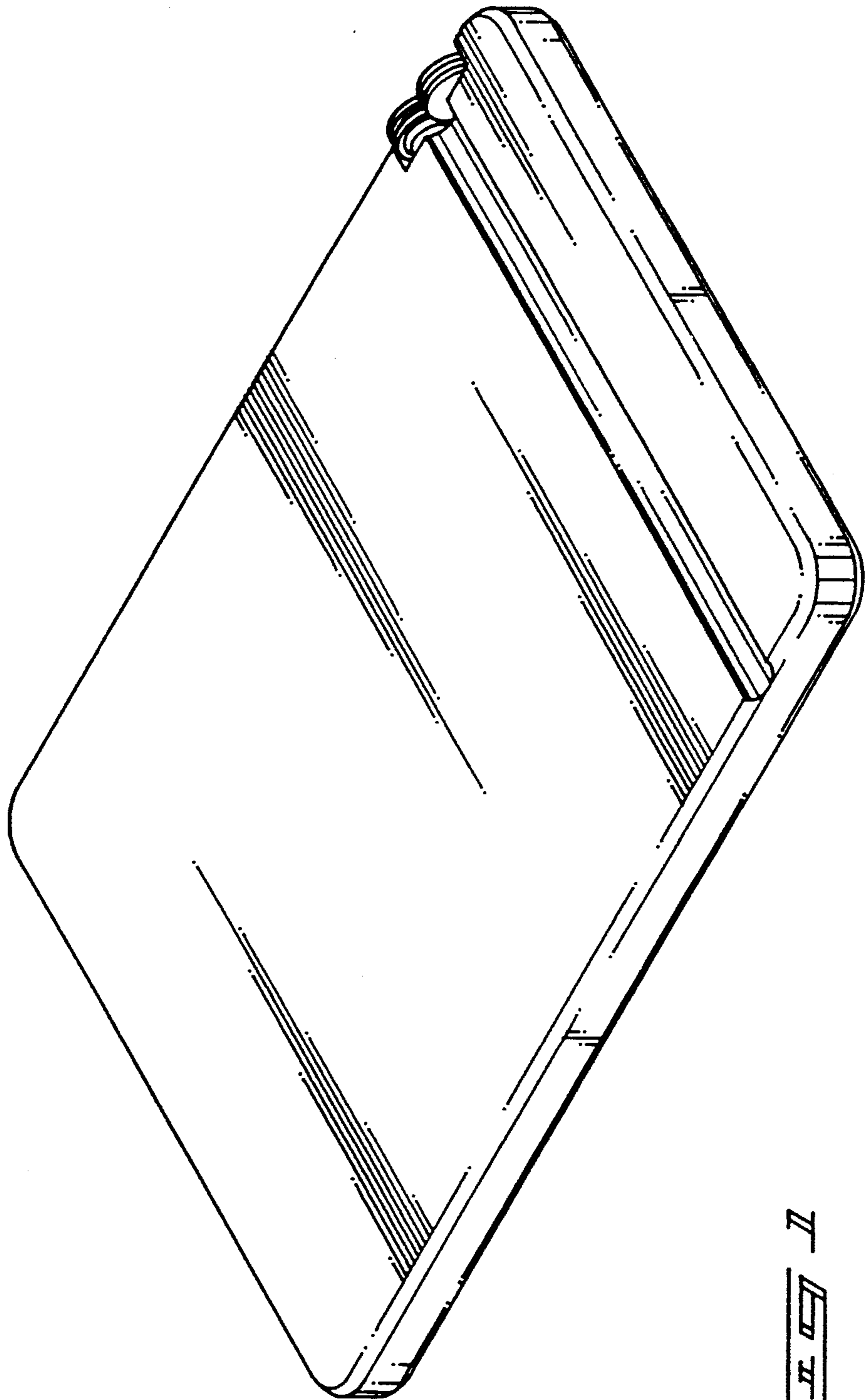
[57] **CLAIM**

The ornamental design for a knife sharpening cutting board, as shown and described.

DESCRIPTION

FIG. 1 is a perspective view of a knife sharpening cutting board showing my new design;
FIG. 2 is an enlarged top plan view thereof;
FIG. 3 is an enlarged bottom plan view thereof;
FIG. 4 is an enlarged front side elevation view thereof;
FIG. 5 is an enlarged back side elevation view thereof;
FIG. 6 is an enlarged right side elevation view thereof;
and,
FIG. 7 is an enlarged left side elevation view thereof.





U.S. PAT. DES. 348,374

U.S. PATENT

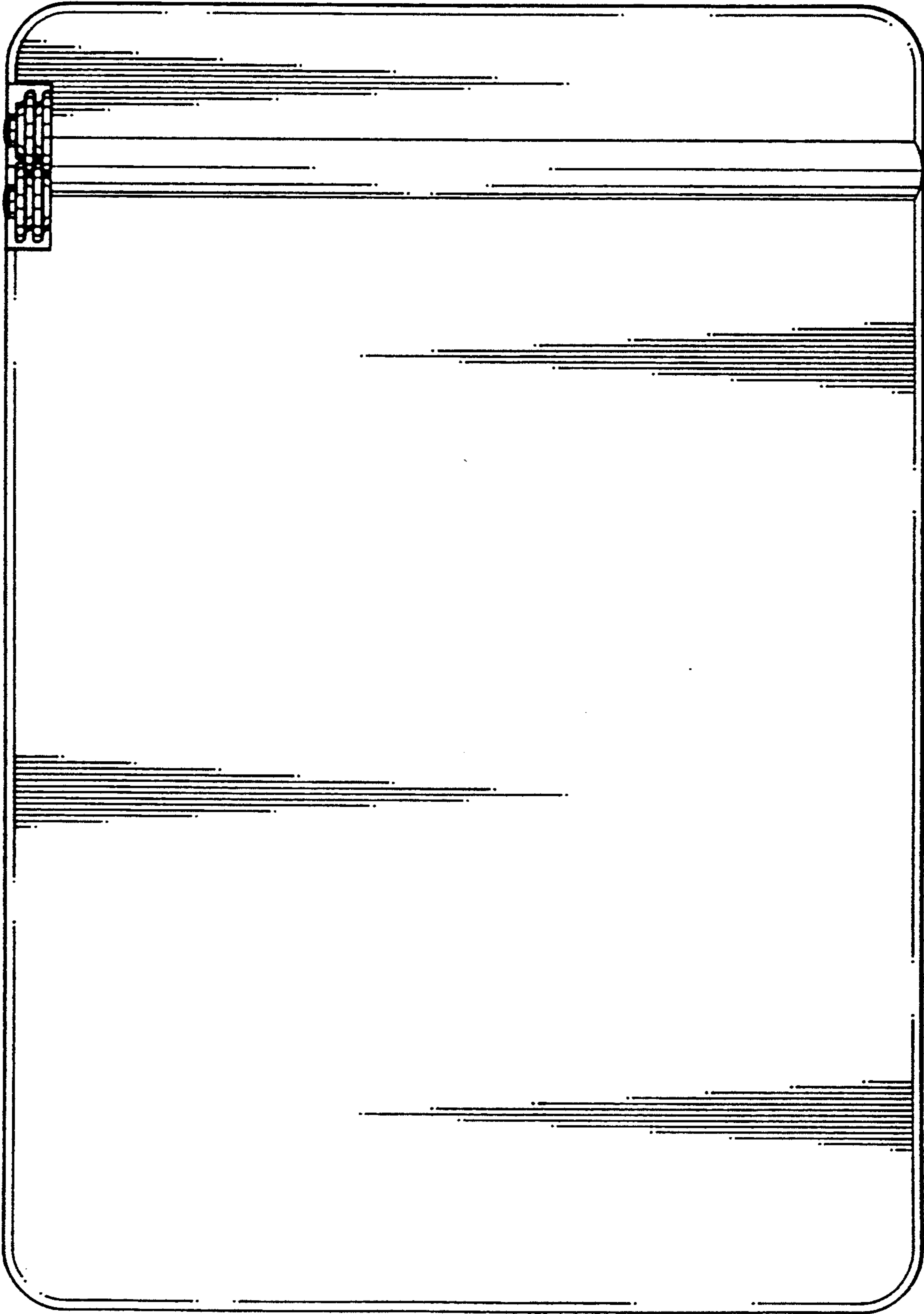
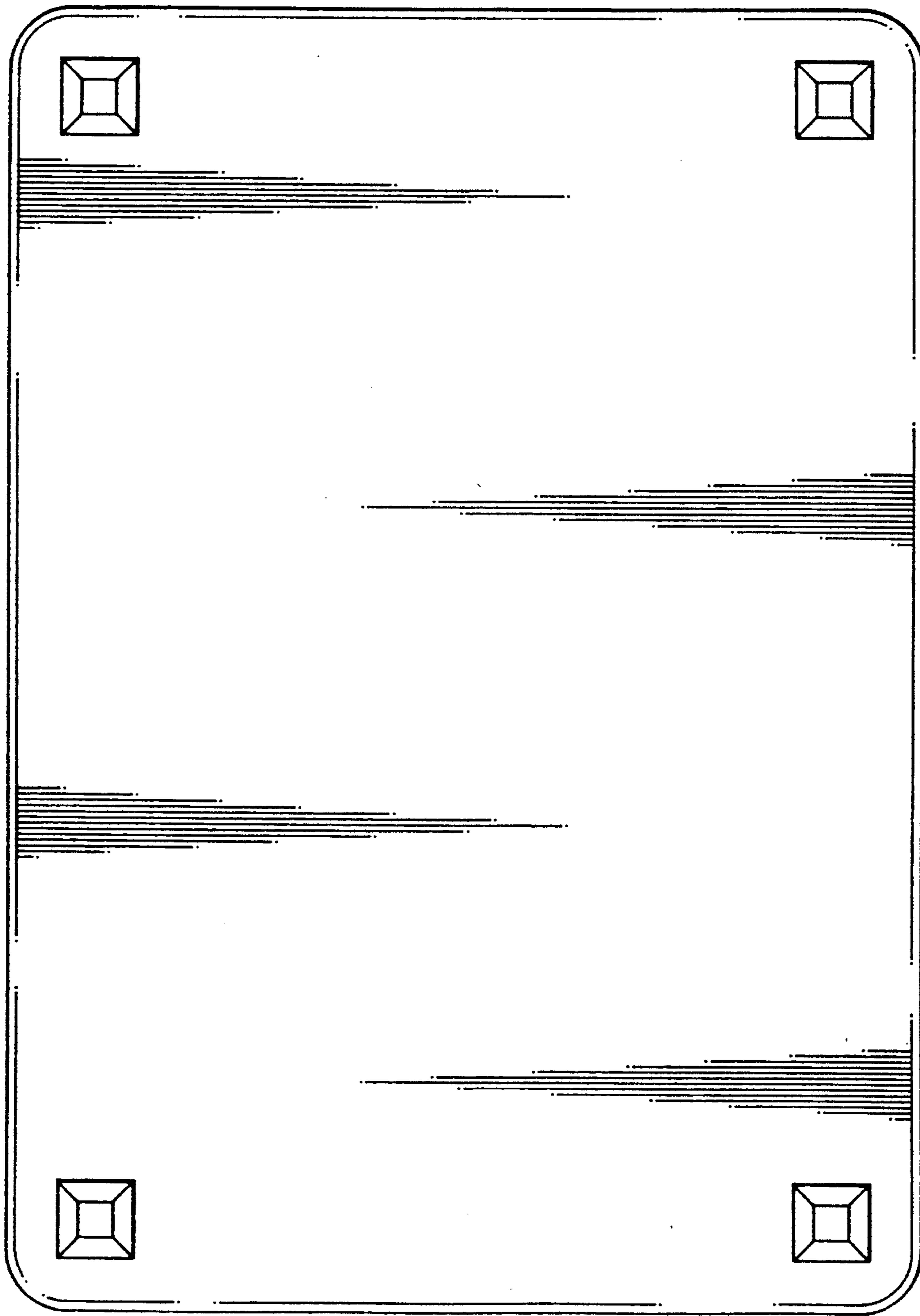


FIG. 3



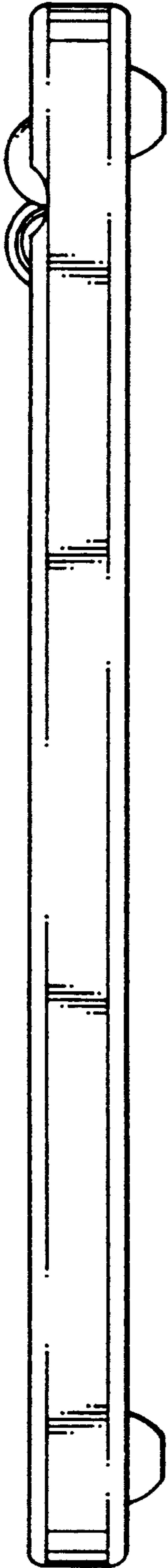


Fig. 4

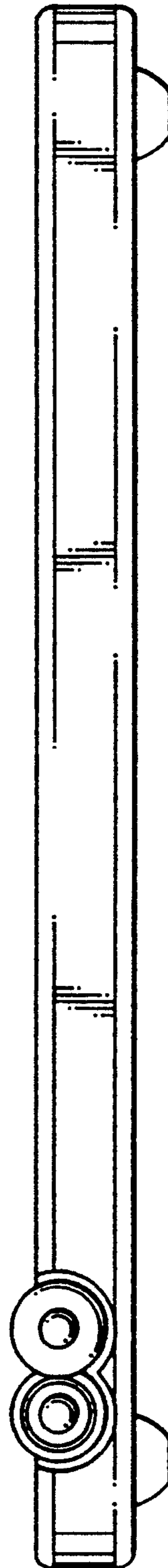


Fig. 5

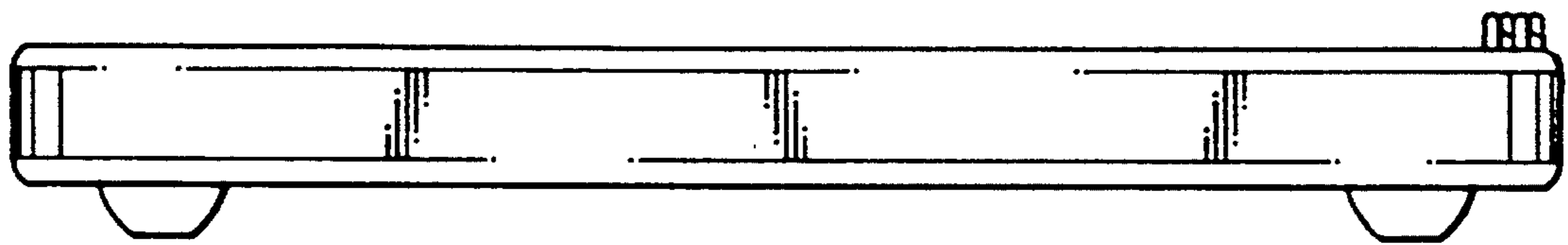


Fig. 1

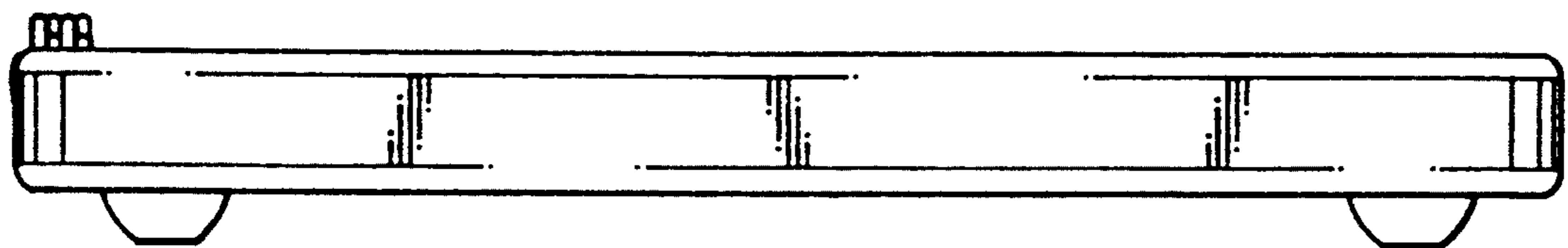


Fig. 2