



US00D348370S

United States Patent [19]

[11] Patent Number: **Des. 348,370**

Yarmunilert

[45] Date of Patent: **** Jul. 5, 1994**

[54] PASTE SQUEEZER

4,316,556 2/1982 Ferrari 222/95
5,071,036 12/1991 Kelly et al. 222/103

[76] Inventor: **Udom Yarmunilert, c/o Mr. Manit Harnvanich, 1435 W. Bonita La., Mount Prospect, Ill. 60056**

Primary Examiner—Brian N. Vinson
Attorney, Agent, or Firm—Banner, Birch, McKie & Beckett

[**] Term: **14 Years**

[57] **CLAIM**

[21] Appl. No.: **3,629**

The ornamental design for a paste squeezer, as shown and described.

[22] Filed: **Jan. 11, 1993**

[52] U.S. Cl. **D6/541**

DESCRIPTION

[58] Field of Search **D6/541; 206/277; 222/95, 96, 98-99, 101, 103; D32/61**

FIG. 1 is a top front perspective view of a paste squeezer showing my new design in a closed position; FIG. 2 is a top plan view thereof; FIG. 3 is a bottom plan view thereof; FIG. 4 is a right side elevational view thereof; FIG. 5 is a left side elevational view thereof; FIG. 6 is a front elevational view thereof; FIG. 7 is a rear elevational view thereof; and, FIG. 8 is a top front perspective view thereof, in an open position.

[56] **References Cited**

U.S. PATENT DOCUMENTS

- D. 119,933 4/1940 Linn D32/61
- D. 204,050 3/1966 Scott D6/541
- D. 292,071 9/1987 Weir D6/541 X
- D. 313,914 1/1991 Tribbey D6/541
- D. 341,050 11/1993 Waffensmith D6/541

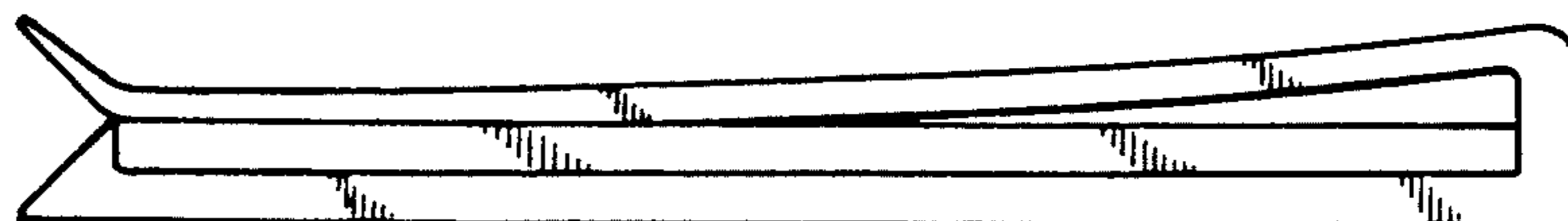
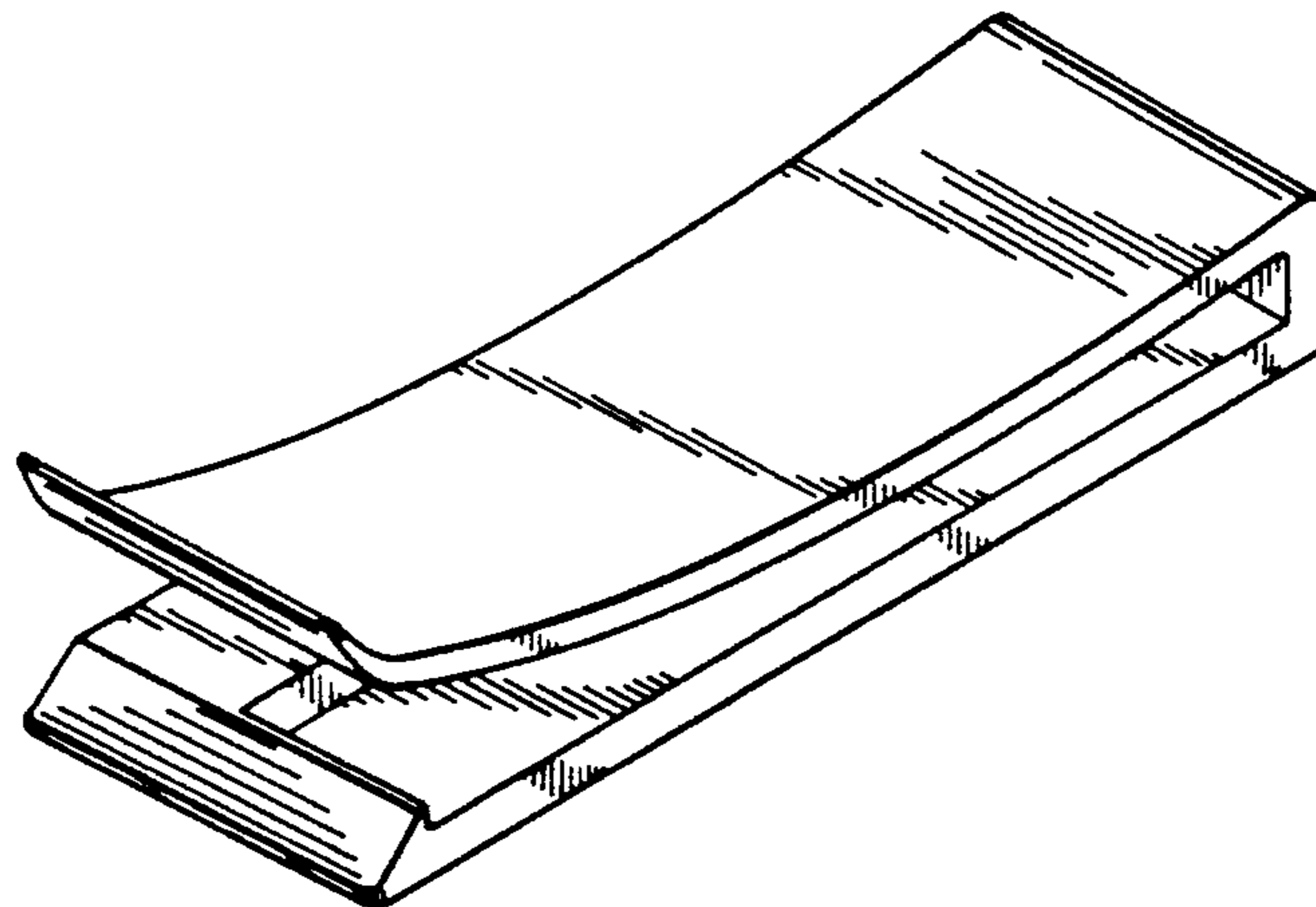
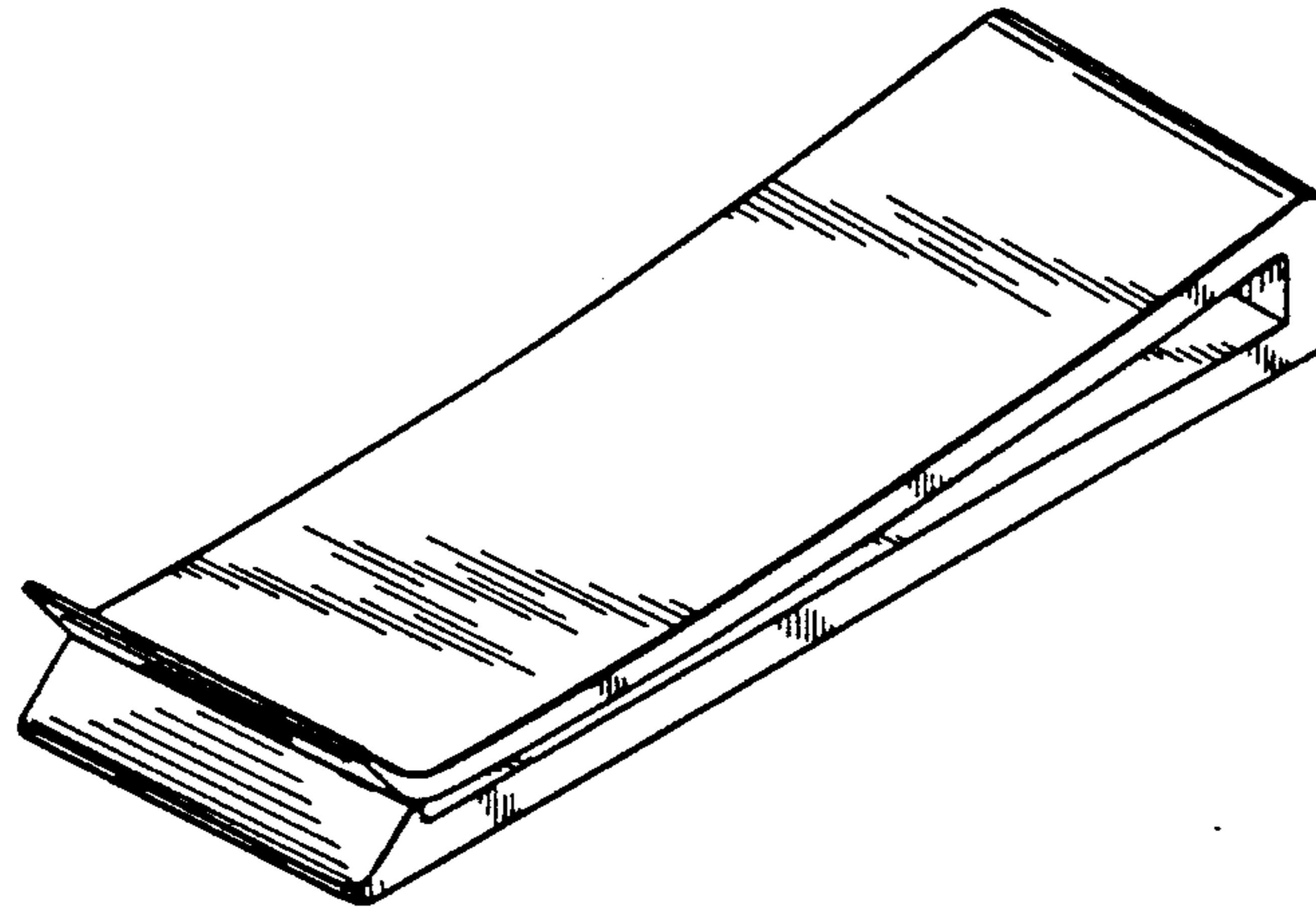


FIG. 1

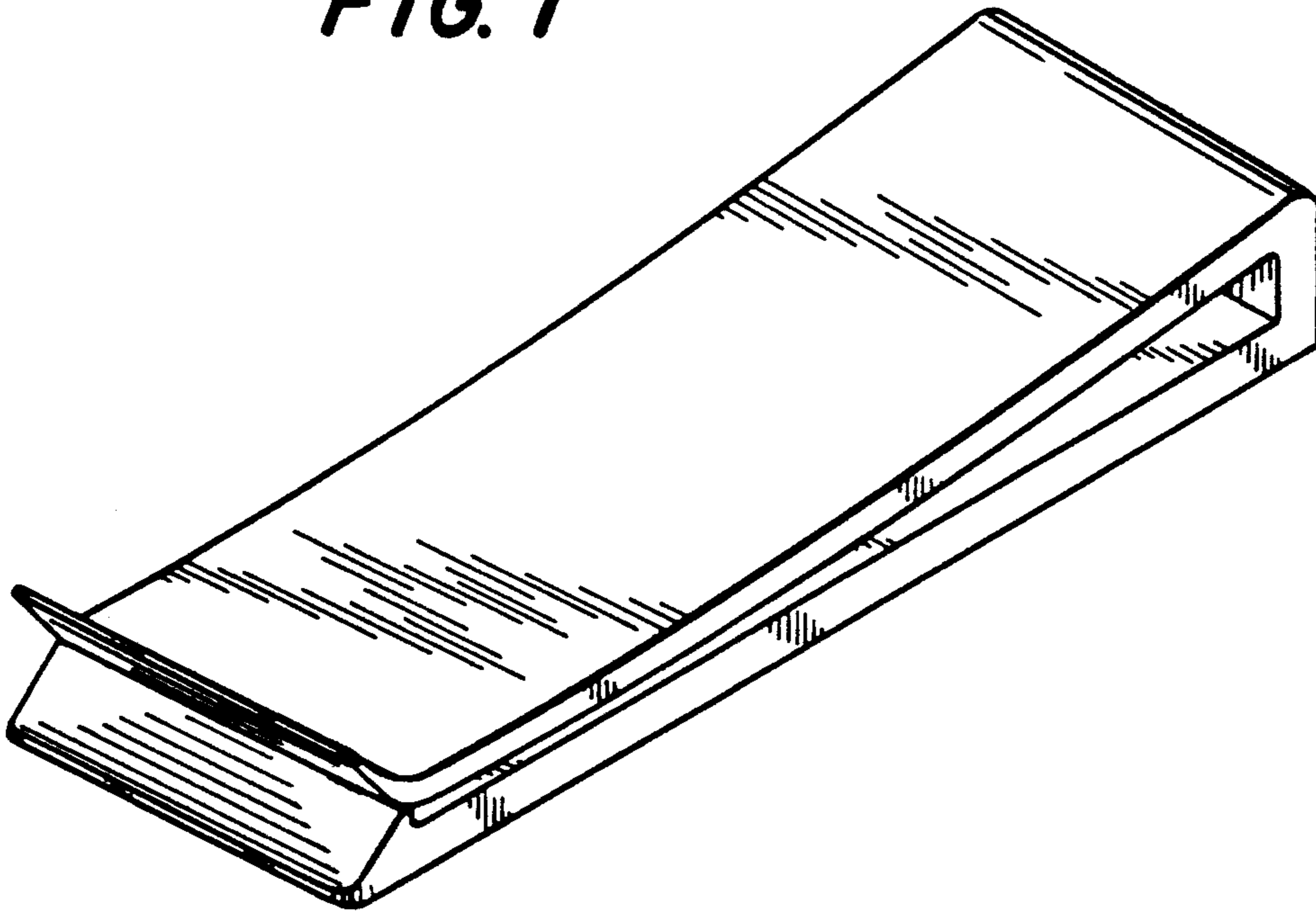


FIG. 8

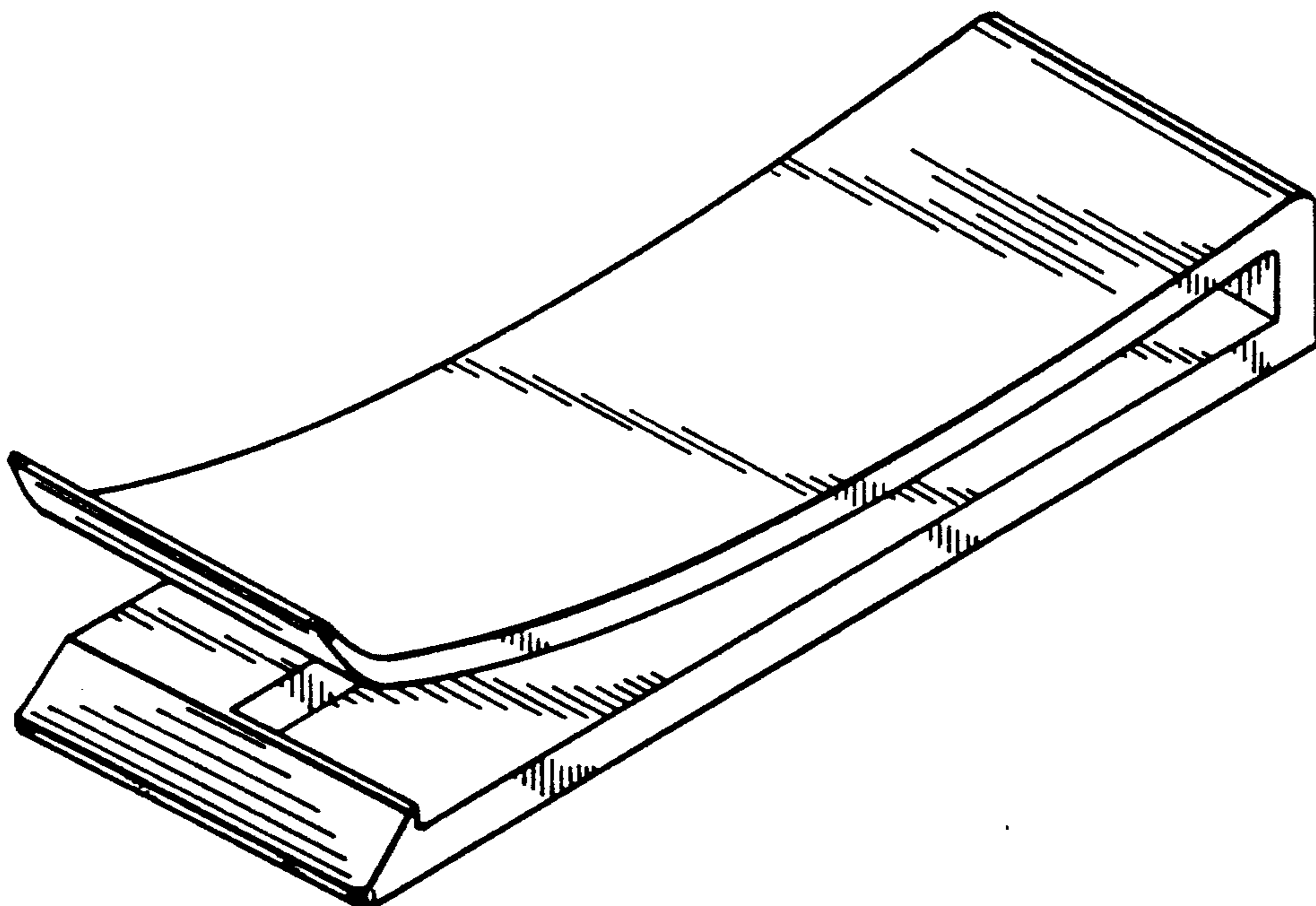


FIG. 2

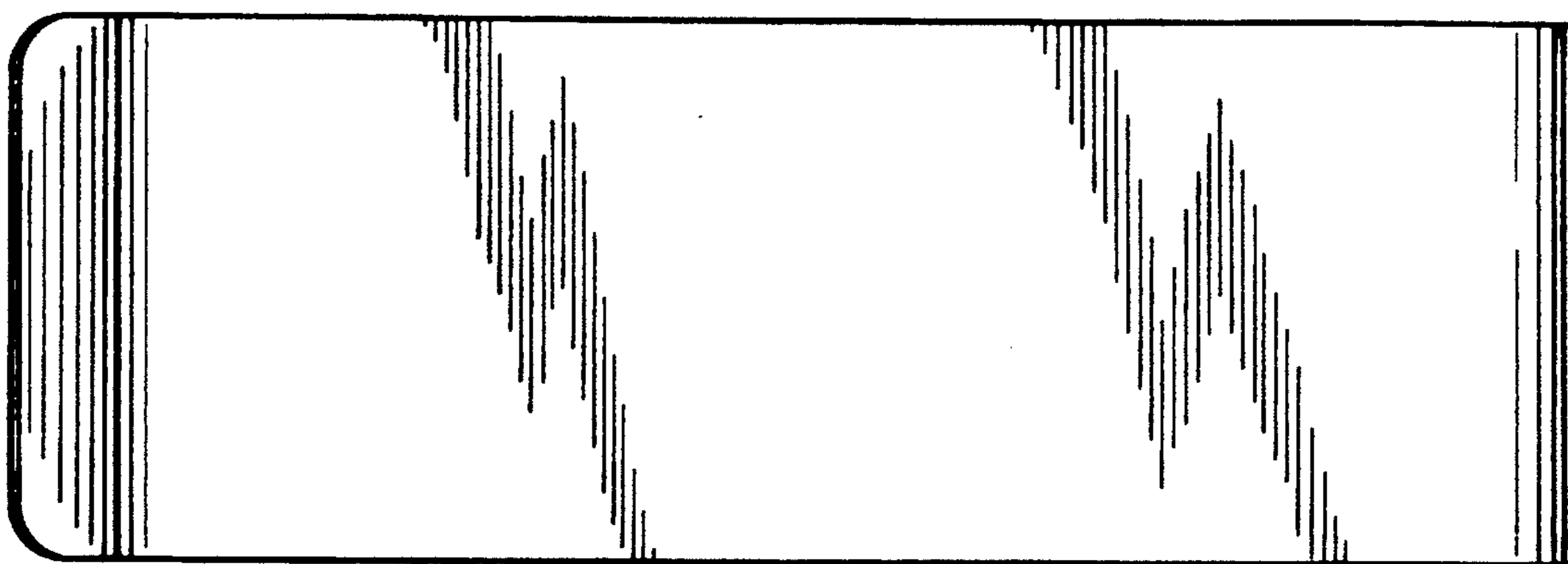


FIG. 3

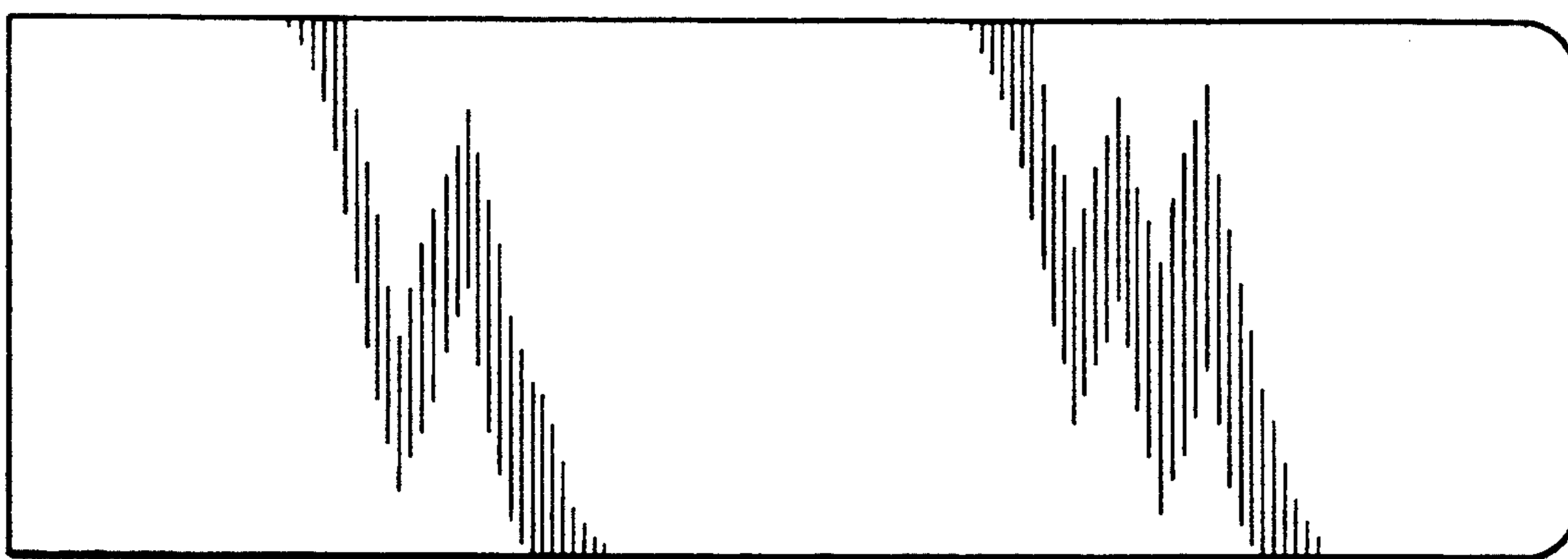


FIG. 4

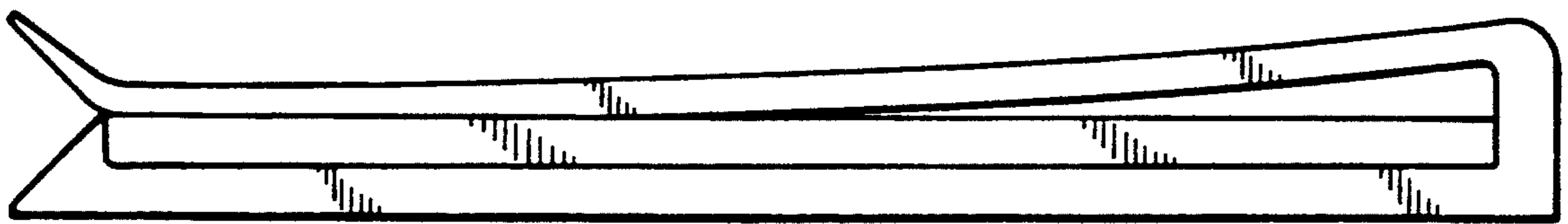


FIG. 5

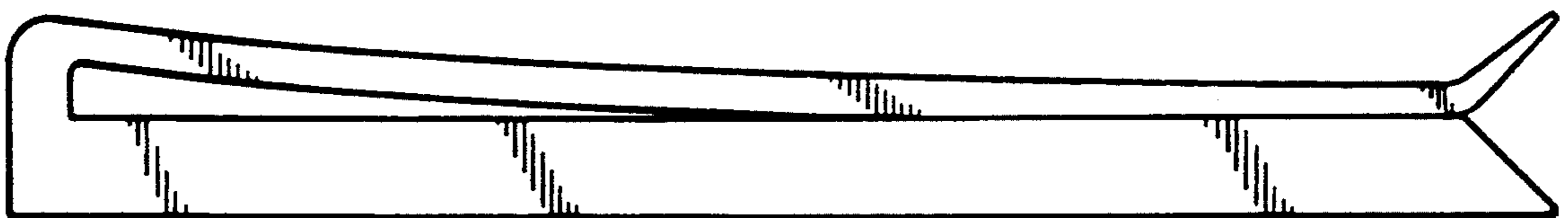


FIG. 6

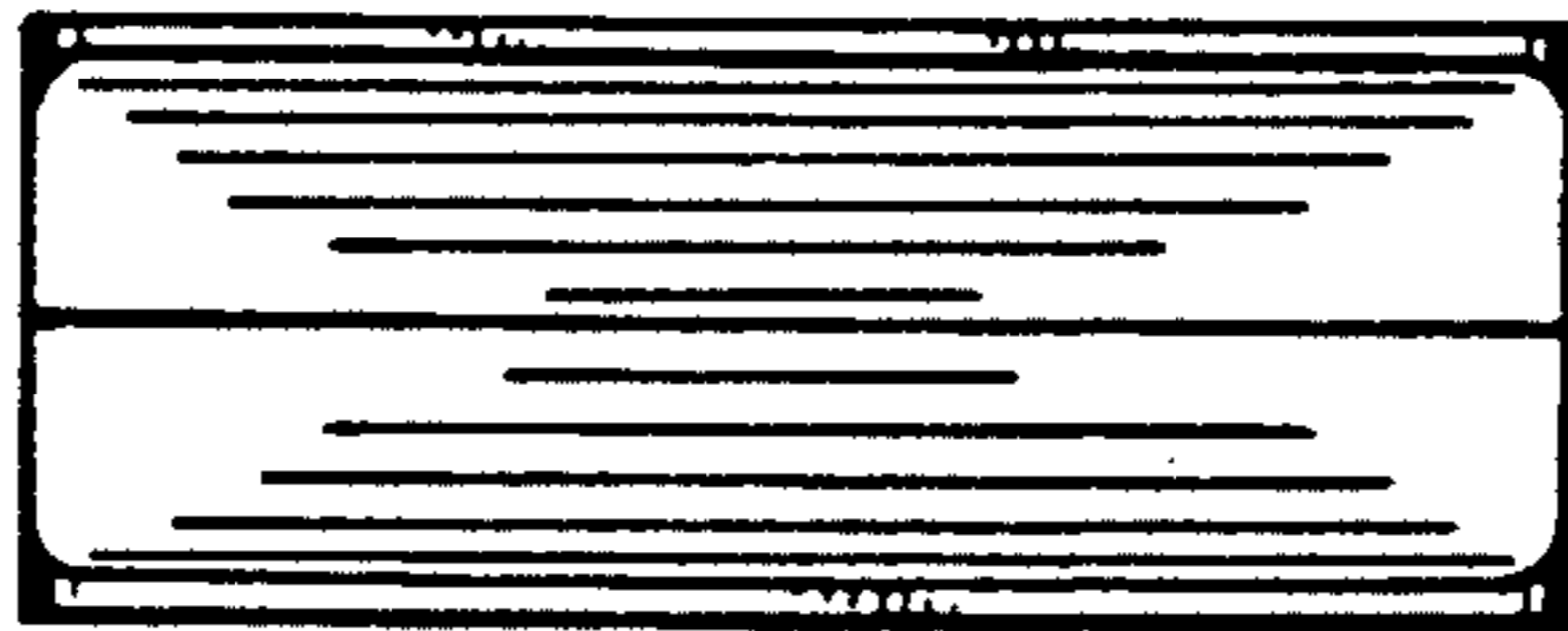


FIG. 7

