



US00D348369S

United States Patent [19]

[11] Patent Number: **Des. 348,369**

Nakamura

[45] Date of Patent: **** Jul. 5, 1994**

[54] **STORAGE RACK FOR USE IN THE BATHROOM**

D. 315,840 4/1991 Emery D6/525
3,923,162 12/1975 Hussey 211/119
4,040,522 8/1977 Vickery .

[76] Inventor: **Anne I. Nakamura**, 1234-3 Kamaile St., Honolulu, Hi. 96814

Primary Examiner—Brian N. Vinson
Attorney, Agent, or Firm—Terry M. Gernstein

[**] Term: **14 Years**

[57] **CLAIM**

[21] Appl. No.: **4,198**

The ornamental design for a storage rack for use in the bathroom, as shown and described.

[22] Filed: **Jan. 29, 1993**

[52] U.S. Cl. **D6/525**

DESCRIPTION

[58] Field of Search **D6/524-525, D6/527; 211/13, 86, 113, 119, 88-89**

FIG. 1 is a front, top and side perspective view of the storage rack for use in the bathroom showing my new design;

[56] **References Cited**

U.S. PATENT DOCUMENTS

- D. 140,566 3/1945 Herrera .
- D. 168,686 1/1953 Hunter .
- D. 251,999 6/1979 Bautista, Jr. D6/525
- D. 294,899 3/1988 Anderson .

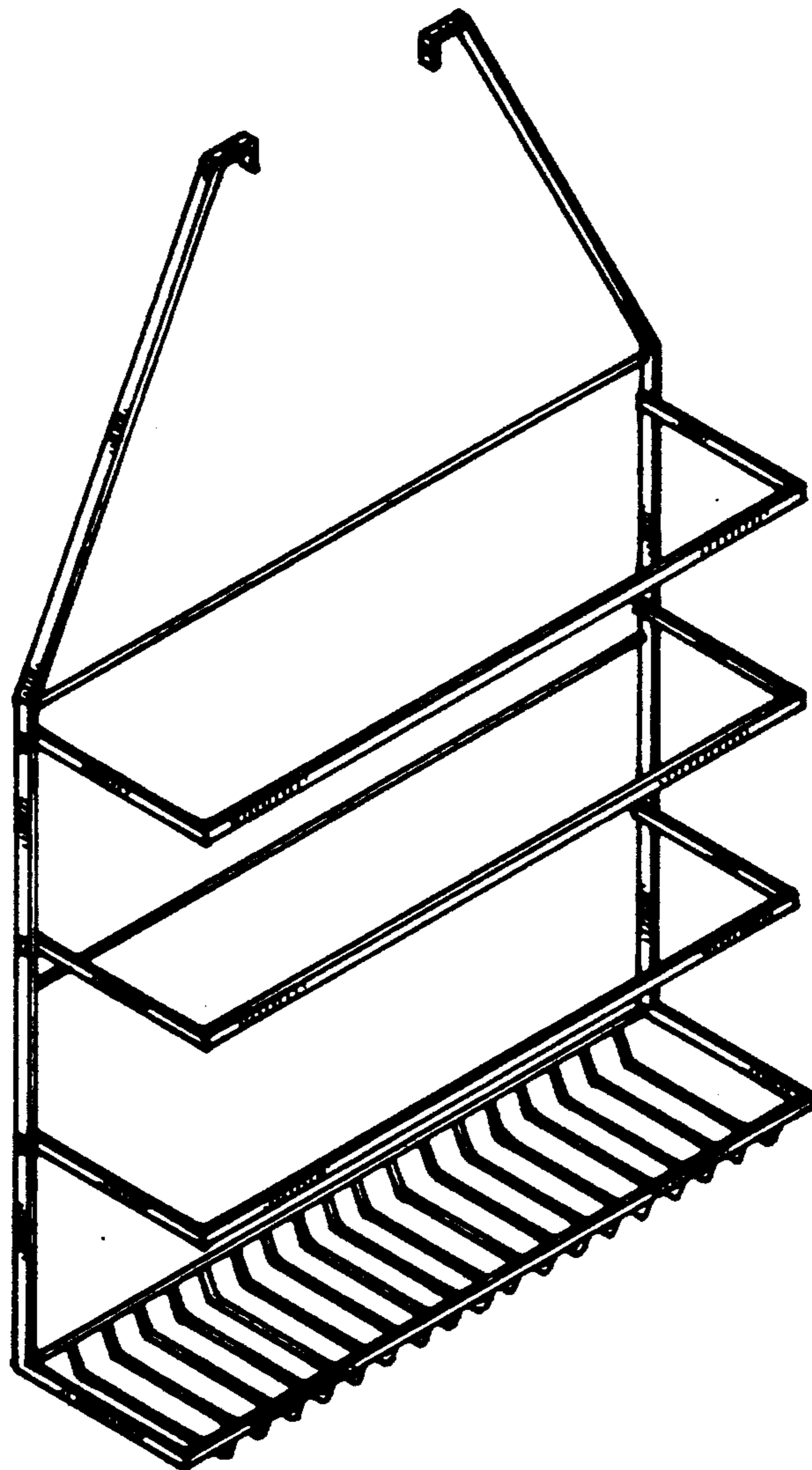
FIG. 2 is a front elevational view thereof;

FIG. 3 is a rear elevational view thereof;

FIG. 4 is a side elevational view thereof, the side opposite being a mirror image of the side shown in FIG. 4;

FIG. 5 is a top plan view thereof; and,

FIG. 6 is a bottom plan view thereof.



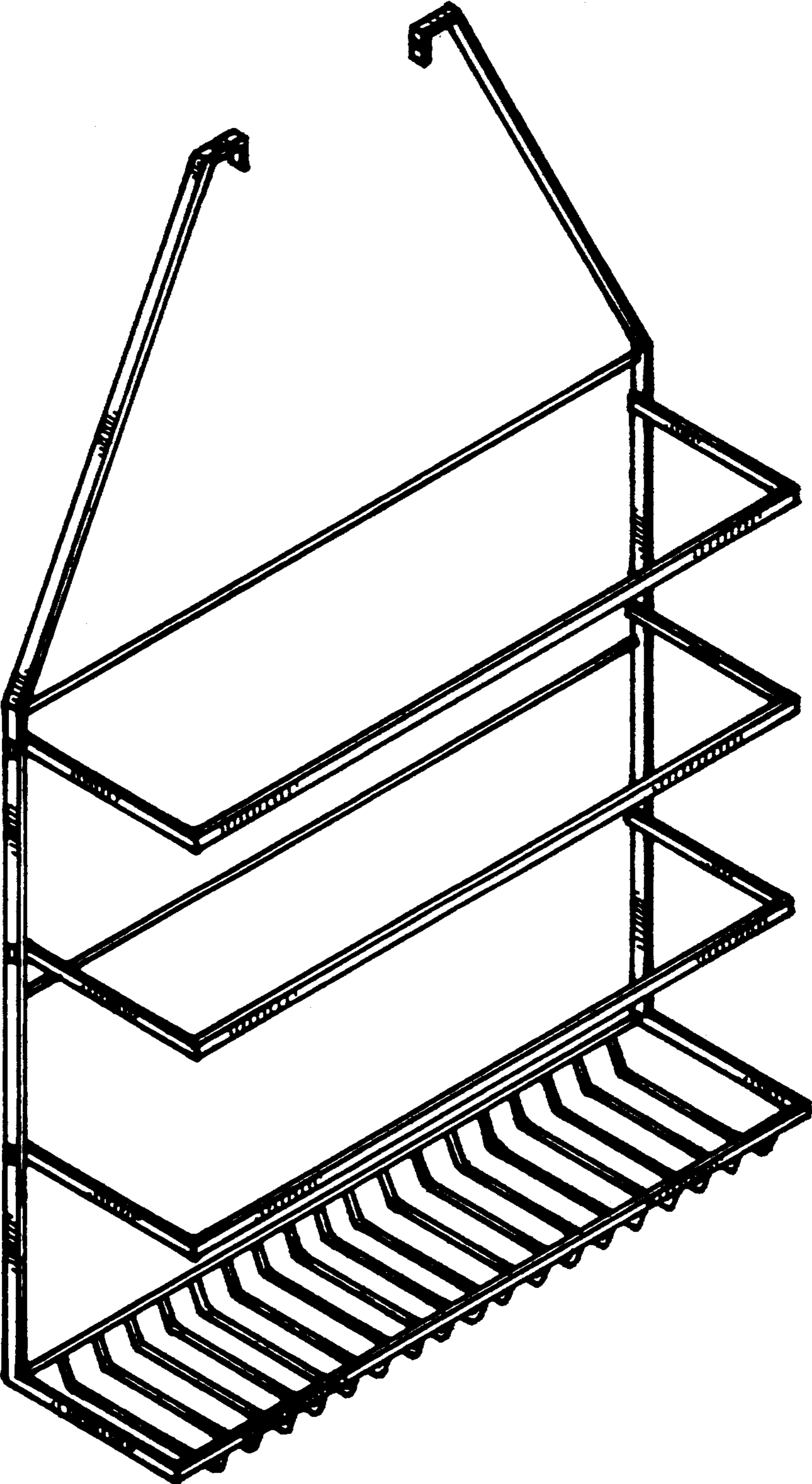


FIG. 1

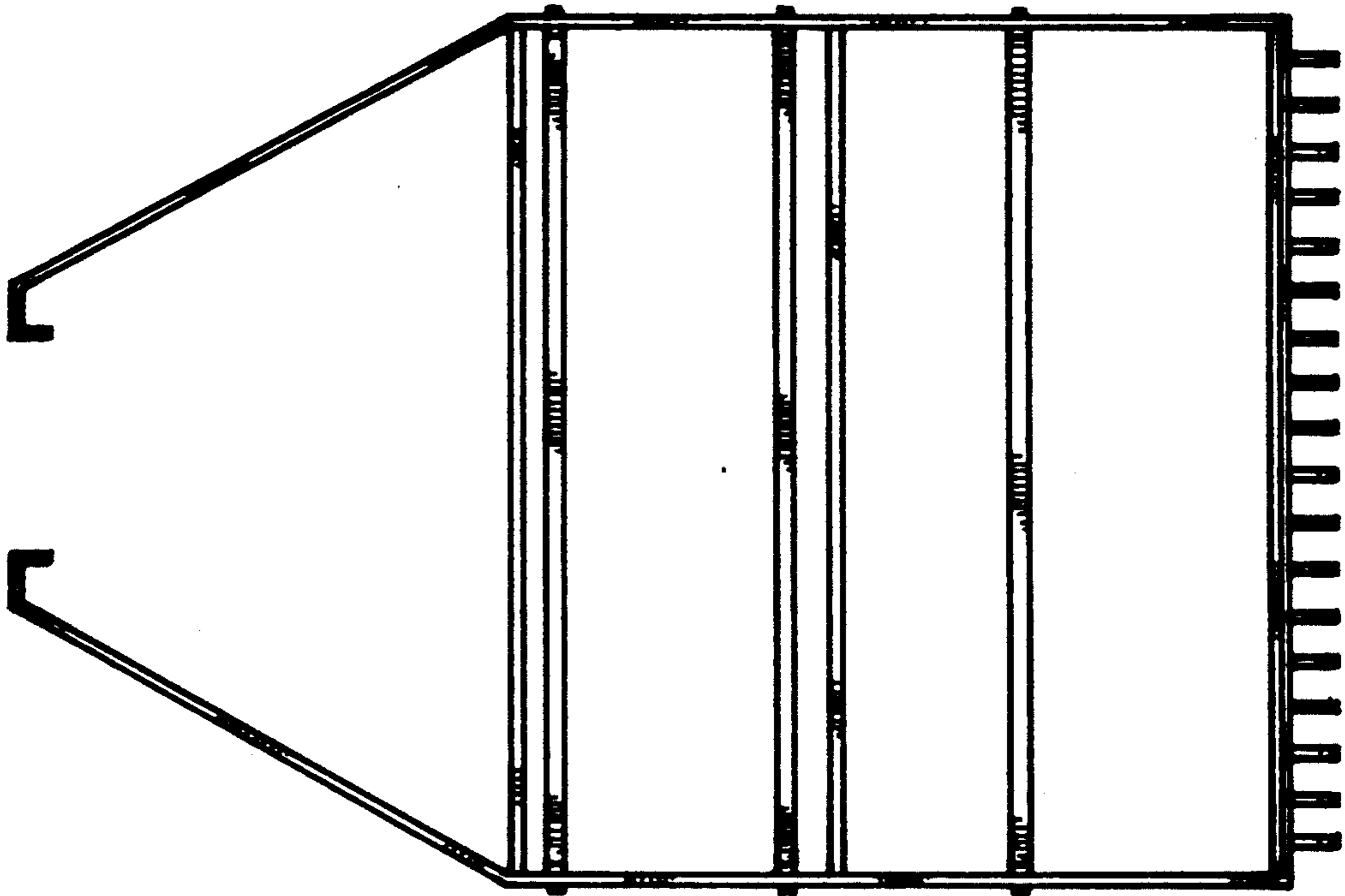


FIG. 3

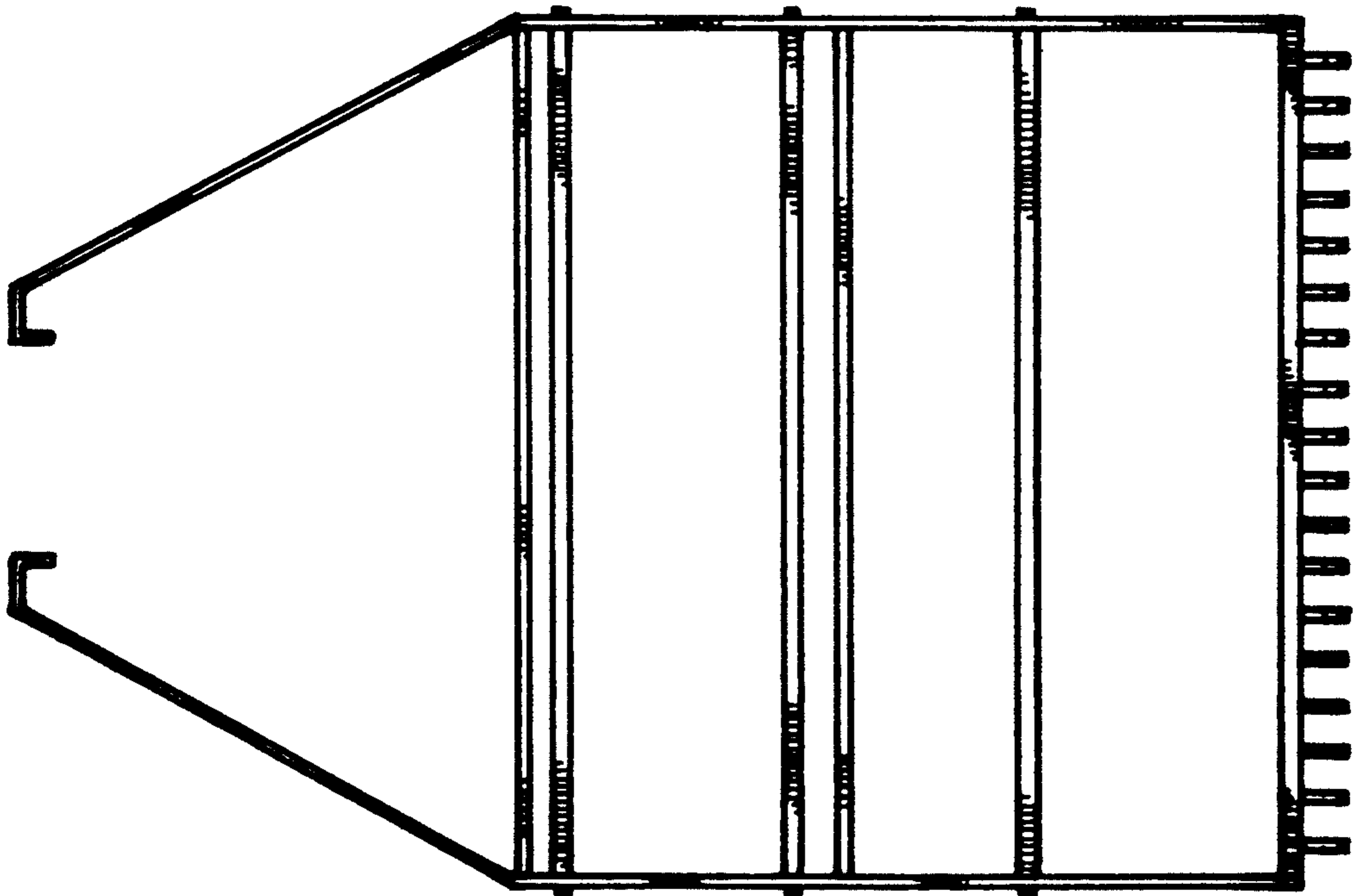


FIG. 2

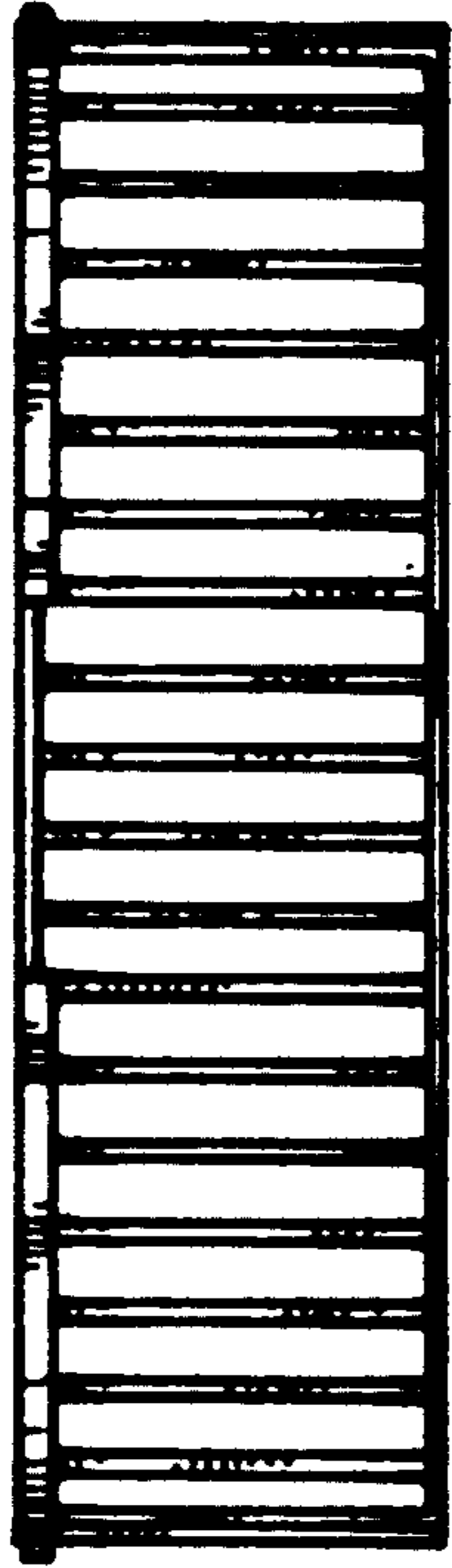


FIG. 5

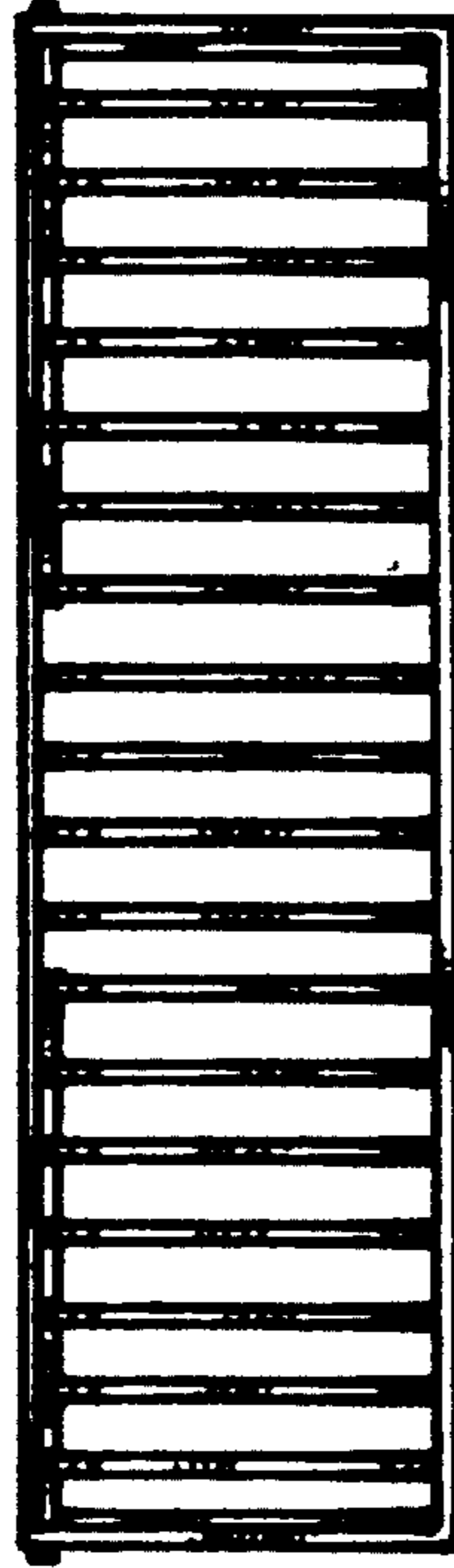


FIG. 6

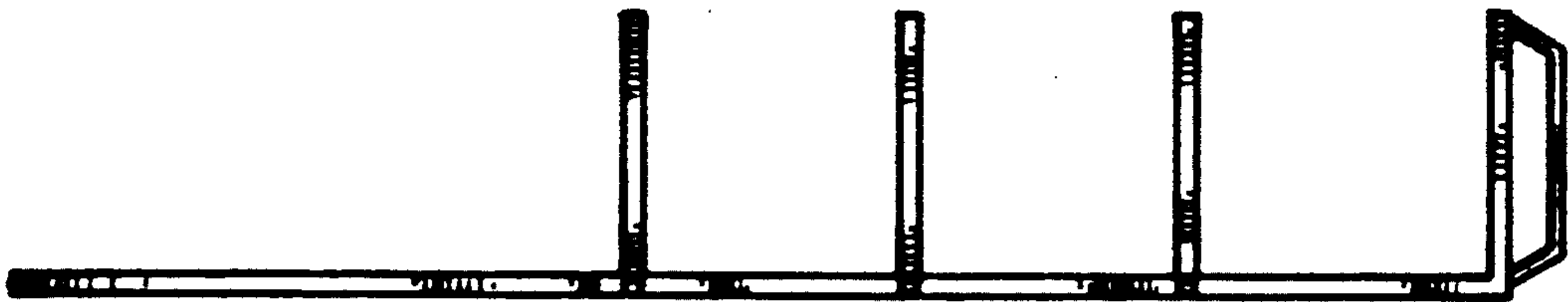


FIG. 4