



US00D348368S

United States Patent [19]

[11] Patent Number: **Des. 348,368**

Hazekamp

[45] Date of Patent: **** Jul. 5, 1994**

[54] **HOLDER WITH DISPENSING APERTURE FOR PACKAGES CONTAINING PAPER**

[56] **References Cited**

[75] Inventor: **Han Hazekamp, Gothenburg, Sweden**

U.S. PATENT DOCUMENTS

- D. 267,684 1/1983 Lander D6/521
- D. 275,246 8/1984 Lander D6/521
- D. 292,859 11/1987 Neuman D6/518
- D. 337,679 7/1993 Guigiaro D6/518

[73] Assignee: **Molnlycke AB, Sweden**

Primary Examiner—Brian N. Vinson
Attorney, Agent, or Firm—Burns, Doane, Swecker & Mathis

[**] Term: **14 Years**

[57] CLAIM

[21] Appl. No.: **853,321**

The ornamental design for a holder with dispensing aperture for packages containing paper, as shown and described.

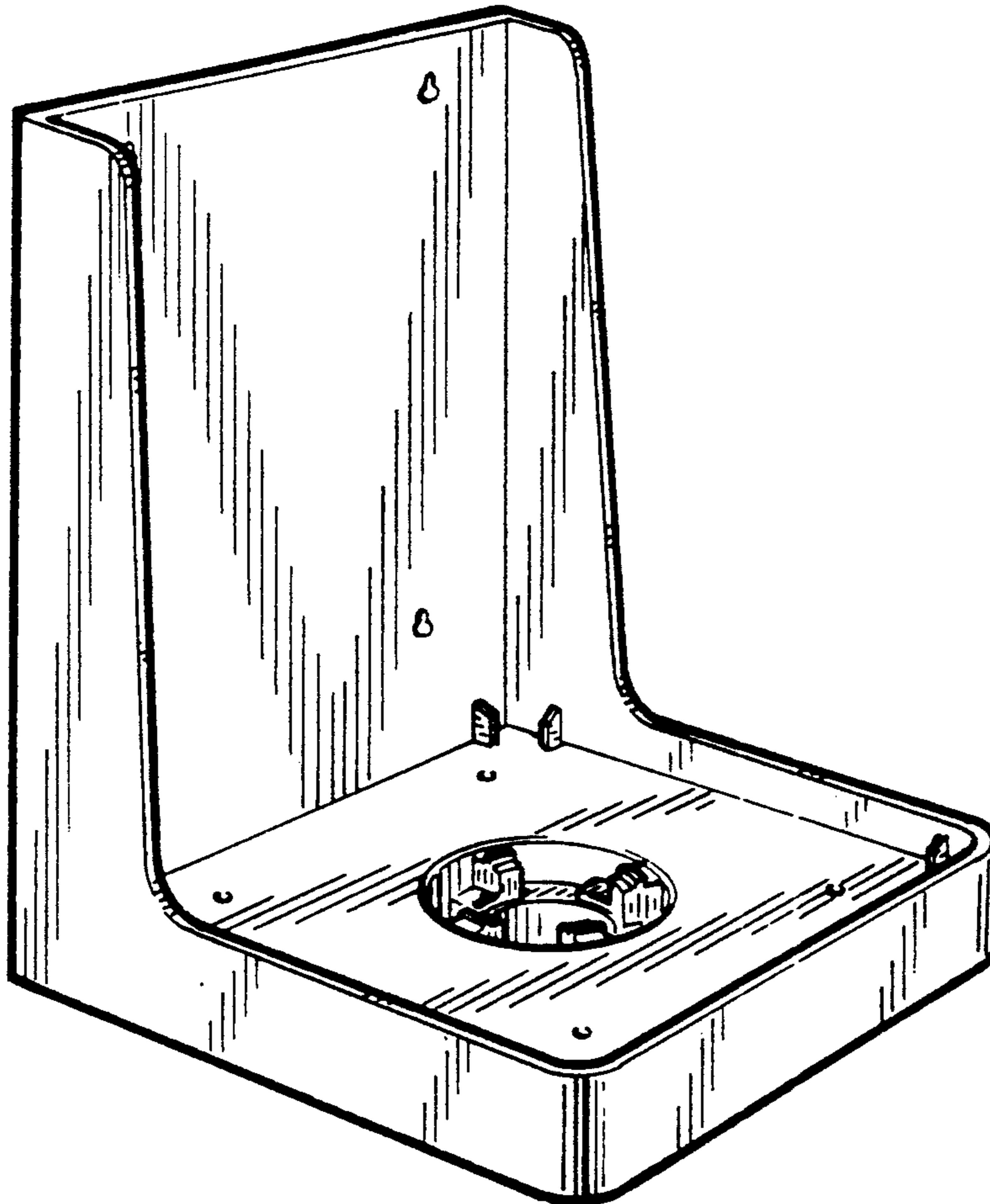
[22] Filed: **Mar. 18, 1992**

DESCRIPTION

[30] Foreign Application Priority Data

- Sep. 19, 1991 [SE] Sweden 91-1842
- [52] U.S. Cl. **D6/518**
- [58] Field of Search D6/518-523;
312/34.1, 34.4, 34.8; 221/191, 282-283;
242/55.2, 55.53, 55.42

FIG. 1 is a top, front, and left side perspective view of a holder with dispensing aperture for packages containing paper showing my new design, the right side being a mirror image of that shown; FIG. 2 is a bottom, rear, and left side perspective view thereof; and, FIG. 3 is rear, bottom, and left side perspective view thereof.



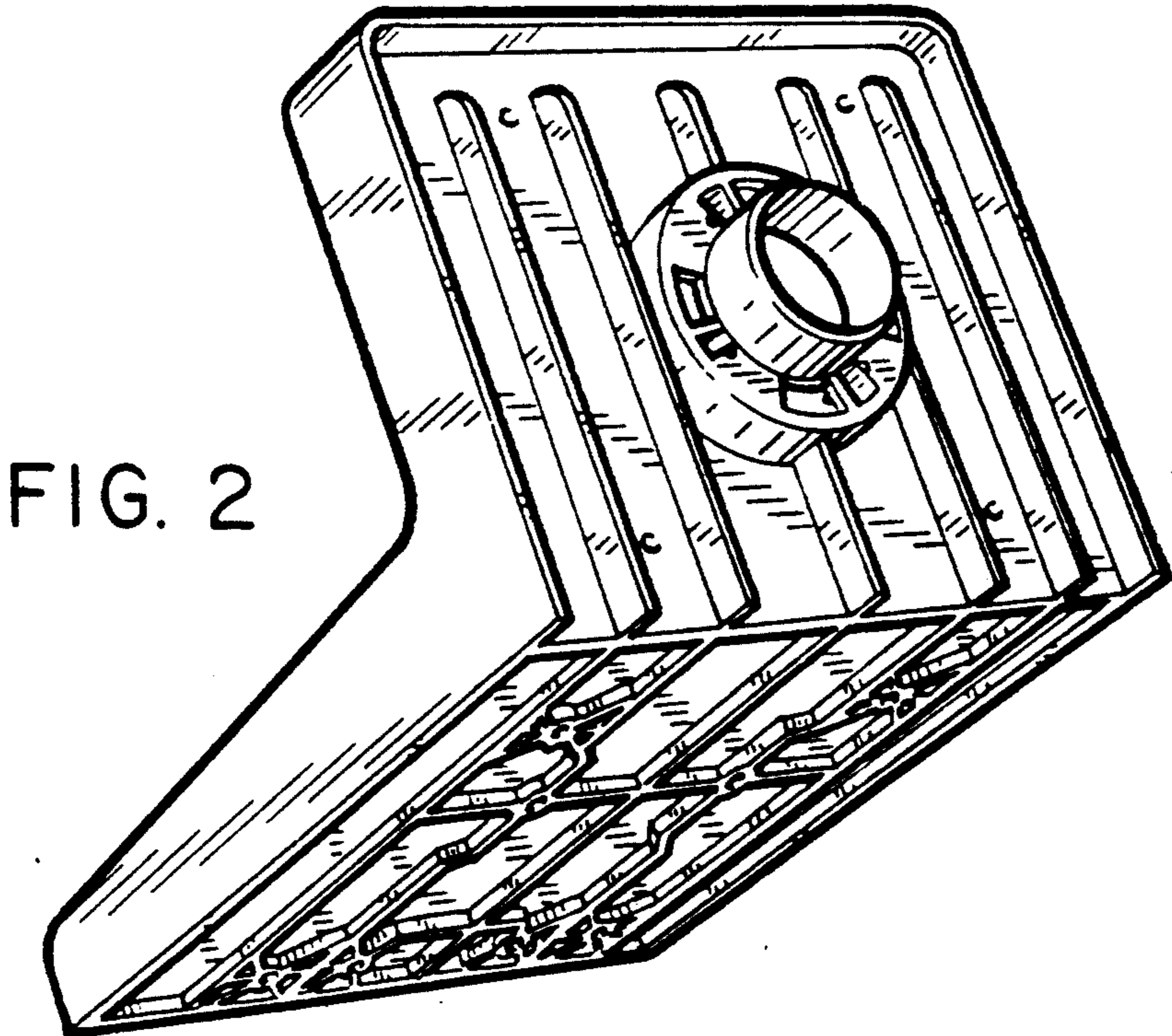
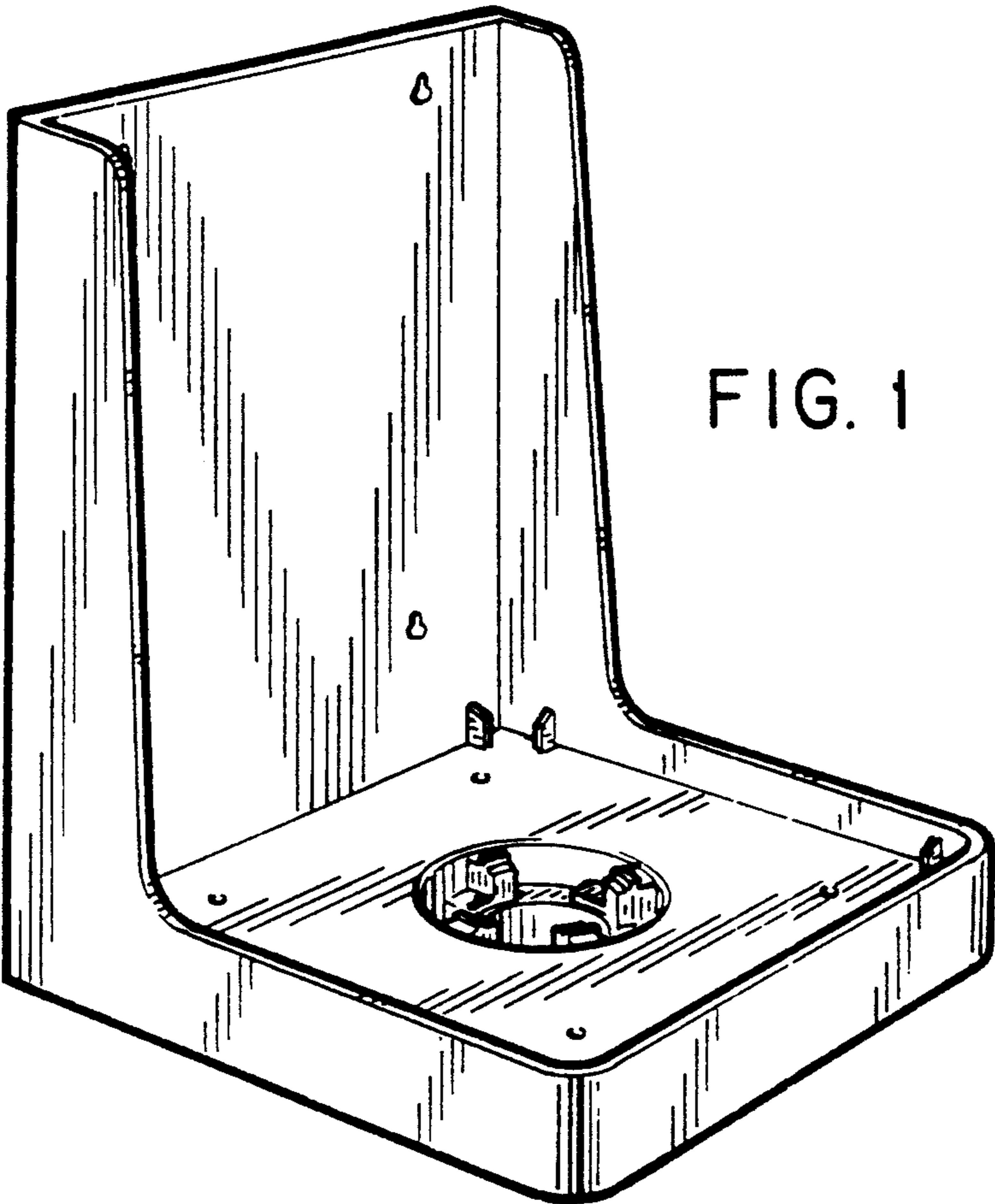


FIG. 3

