



US00D348366S

United States Patent [19]

[11] Patent Number: **Des. 348,366**

Stravitz

[45] Date of Patent: **** Jul. 5, 1994**

[54] **BILEVEL SHELF UNIT**

[76] Inventor: **David M. Stravitz, 16 Park Ave., New York, N.Y. 10016**

[**] Term: **14 Years**

[21] Appl. No.: **5,813**

[22] Filed: **Mar. 11, 1993**

[52] U.S. Cl. **D6/476; D6/407; D6/467**

[58] Field of Search **D6/407, 408, 449, 462, D6/464, 465, 463, 466, 467, 468, 475, 476, 477, 429-431; 211/40-42, 189, 13; D3/35**

[56] **References Cited**

U.S. PATENT DOCUMENTS

- D. 122,929 10/1940 Seltzer D6/464
- D. 190,501 6/1961 Von Meyer D6/464 X
- D. 191,790 11/1961 Schaefer .
- D. 203,513 1/1966 Warren .
- D. 234,994 4/1975 Stiene D6/475
- D. 237,231 10/1975 Wells .
- D. 240,421 7/1976 Rose .
- D. 260,197 8/1981 Long et al. .
- D. 283,472 4/1986 Wattles .
- D. 283,568 4/1986 Valley .
- D. 290,201 6/1987 Wilder .
- D. 309,998 8/1990 Sumrell et al. .
- D. 322,724 12/1991 Stravitz D6/407
- D. 323,591 2/1992 Stravitz D6/407 X
- D. 328,986 4/1992 Lightfoot D6/462 X

- 752,712 4/1904 Arnold .
- 3,179,367 4/1965 Rapata .
- 3,464,565 9/1969 Nevai 211/42
- 3,600,735 1/1970 Jerabek .
- 4,162,013 7/1979 Tucker .
- 4,896,778 1/1990 Ferdinand et al. 211/189 X

FOREIGN PATENT DOCUMENTS

- 1274556 9/1961 France .
- 261537 11/1926 United Kingdom .
- 627398 8/1949 United Kingdom .

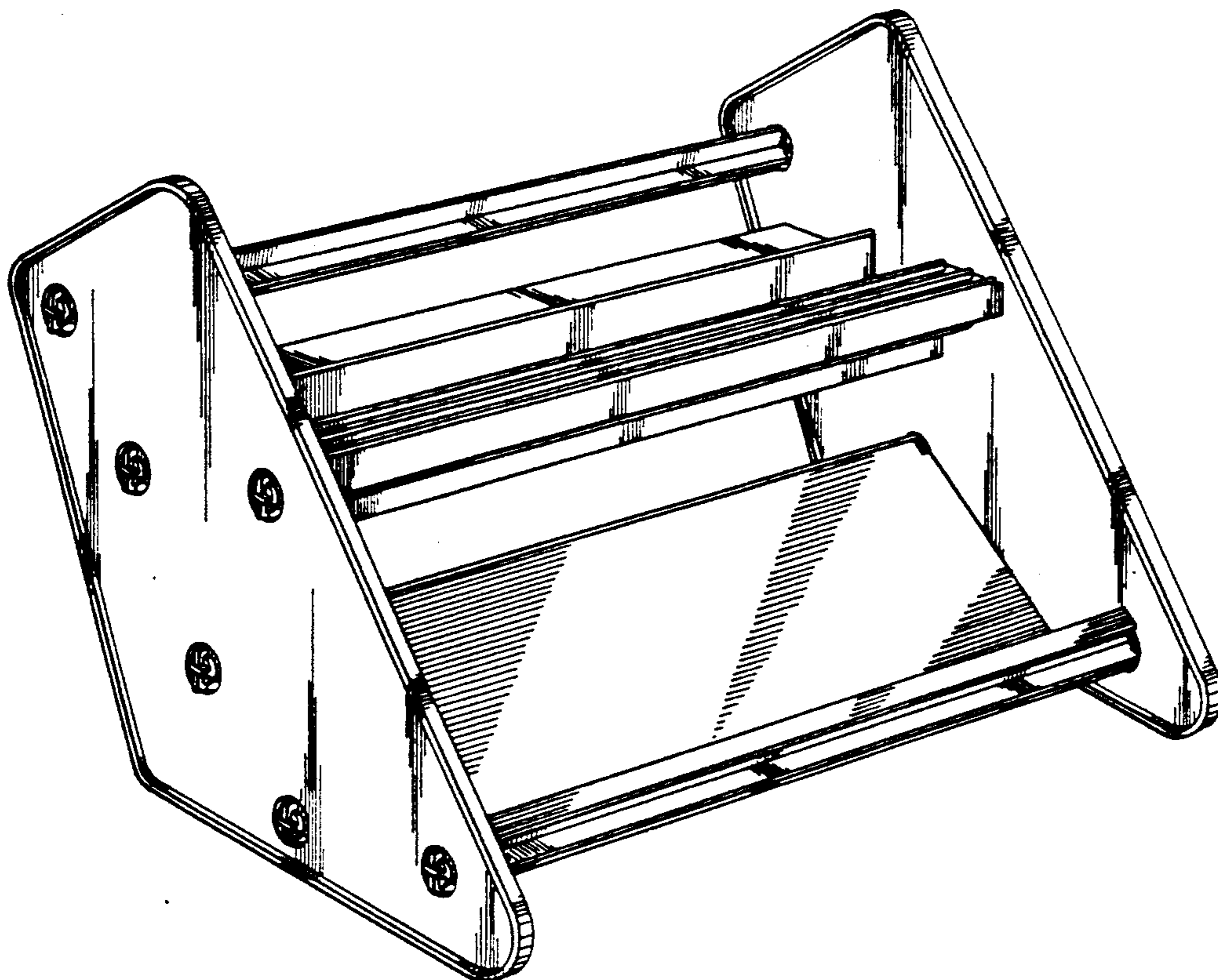
Primary Examiner—Alan P. Douglas
Assistant Examiner—Jeffrey Asch
Attorney, Agent, or Firm—Frishauf, Holtz, Goodman & Woodward

[57] **CLAIM**

The ornamental design for a bilevel shelf unit, as shown and described.

DESCRIPTION

FIG. 1 is a perspective view of a bilevel shelf unit showing my new design;
FIG. 2 is a front elevational view thereof;
FIG. 3 is a left side elevational view thereof, the right side elevational view being a mirror image;
FIG. 4 is a top plan view thereof;
FIG. 5 is a rear elevational view thereof;
FIG. 6 is a bottom plan view thereof; and,
FIG. 7 is a cross-sectional view taken along lines 7—7 of FIG. 2.



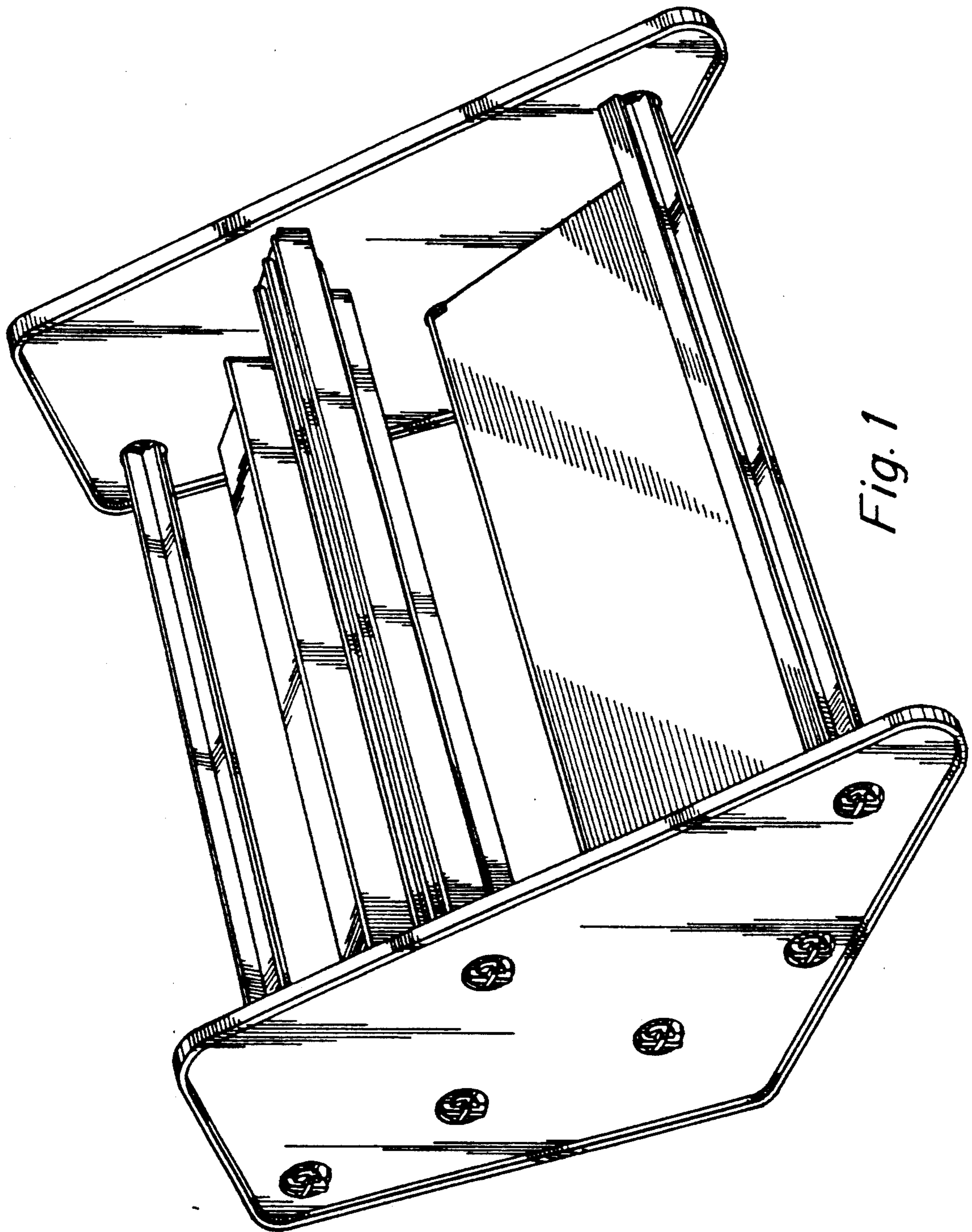


Fig. 1

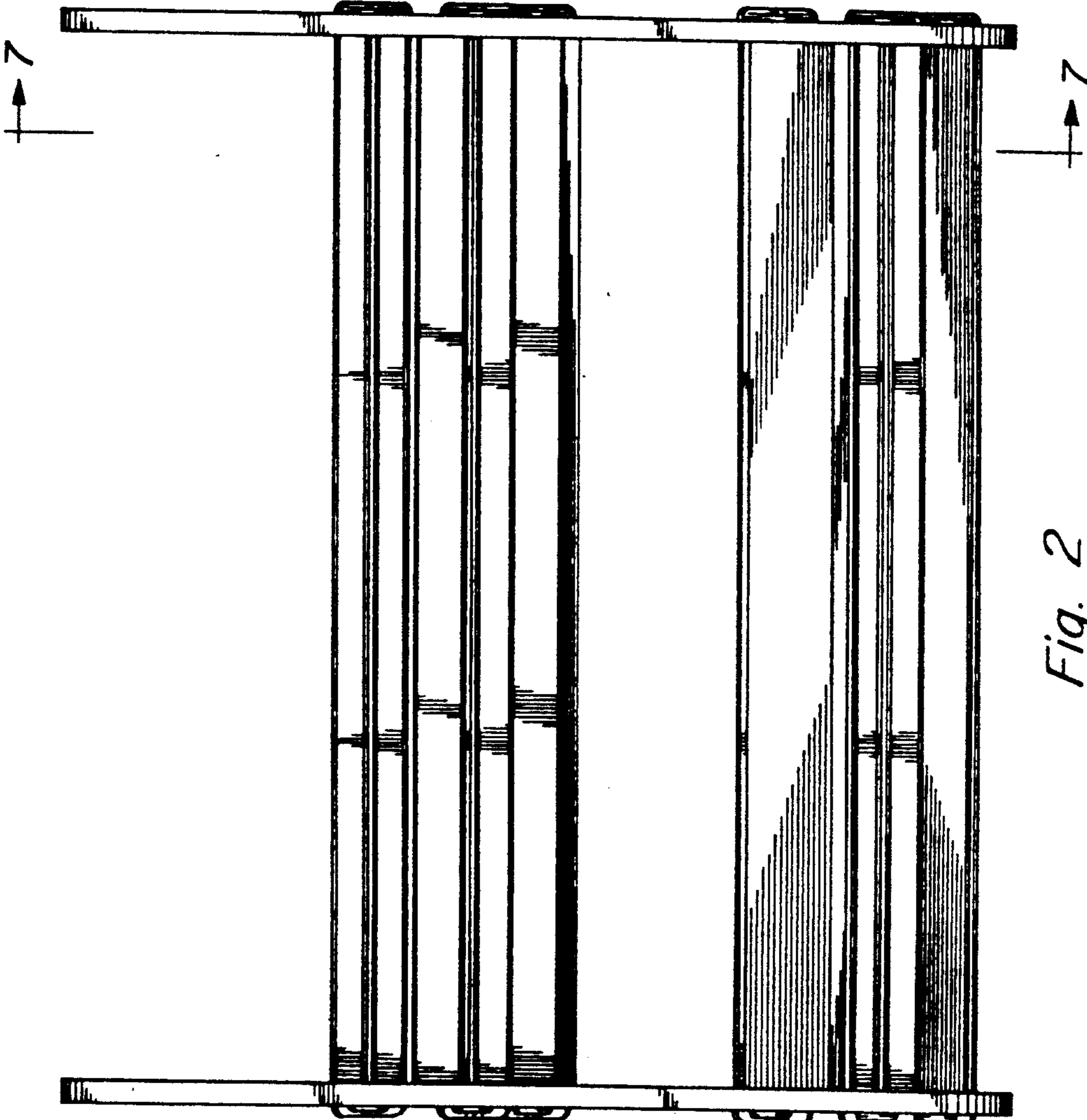


Fig. 2

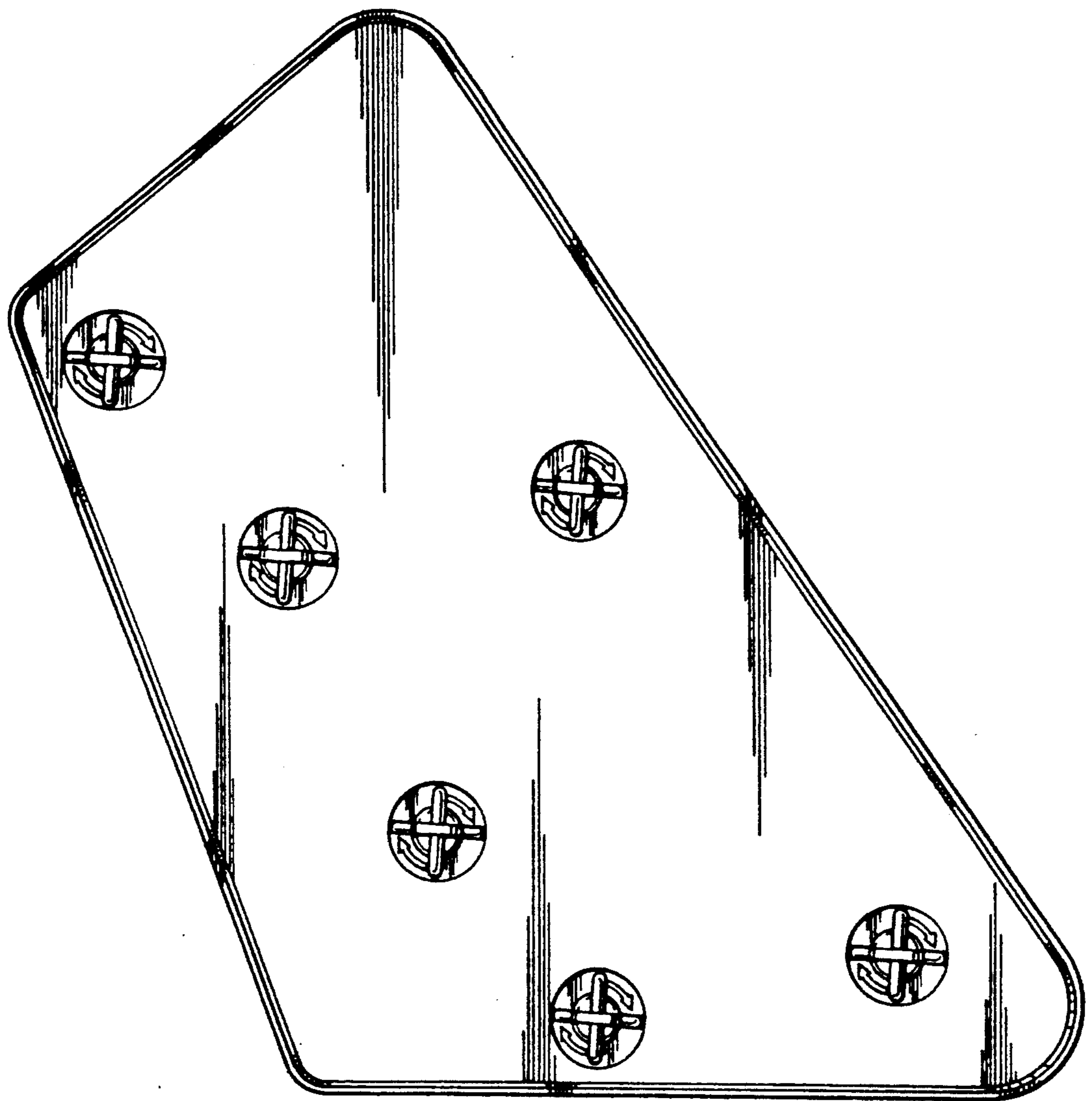


Fig. 3

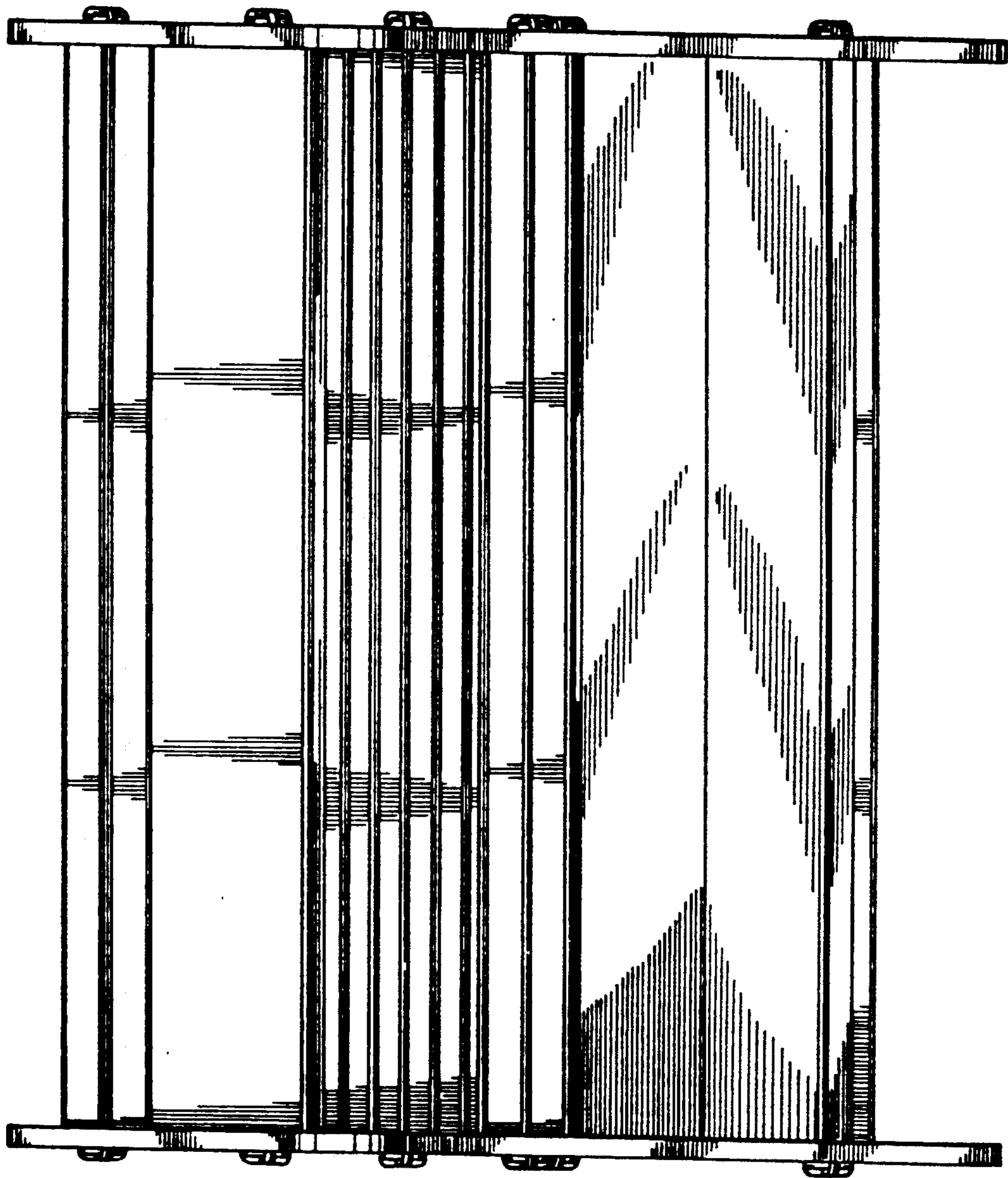


Fig. 4

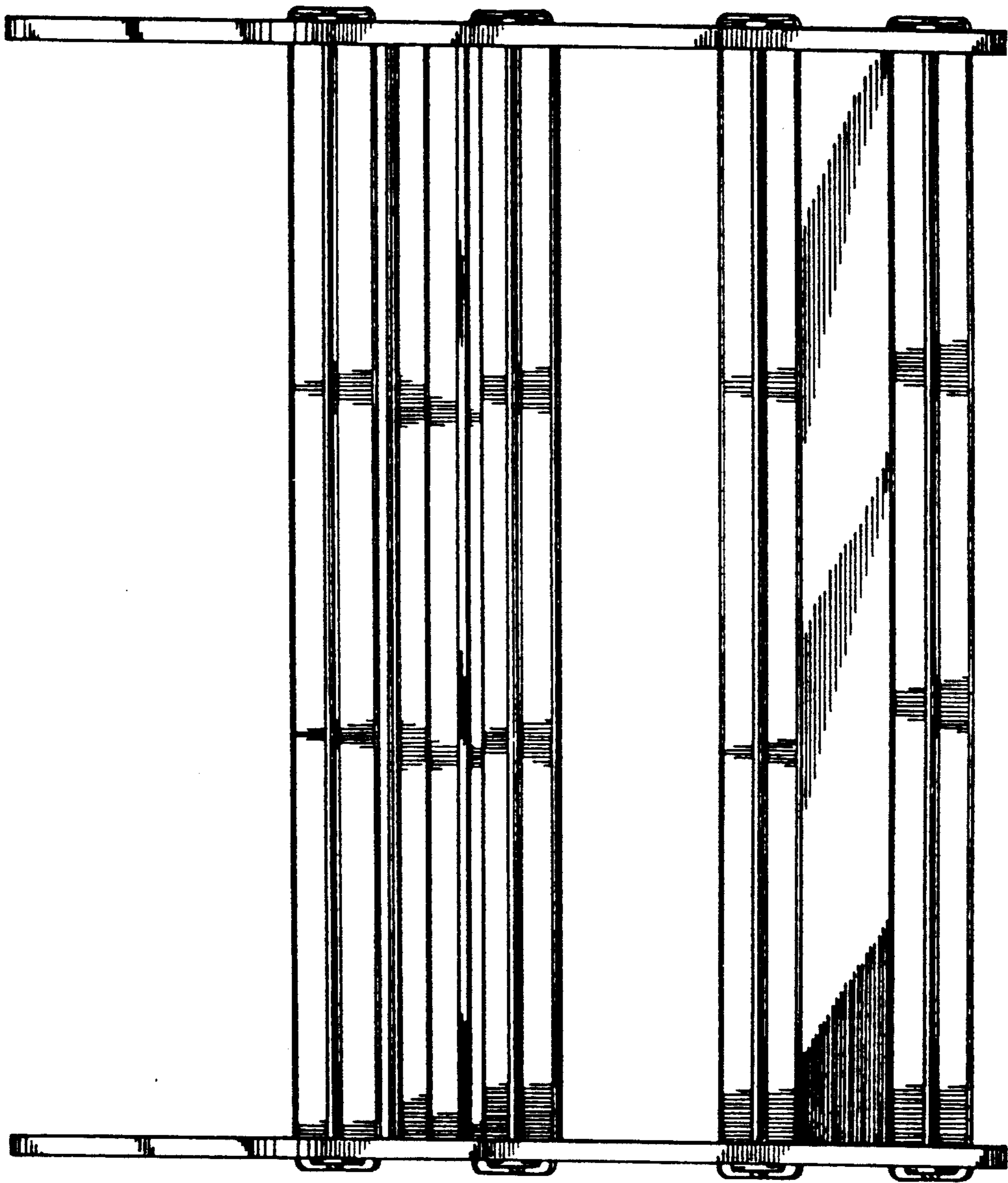


Fig. 5

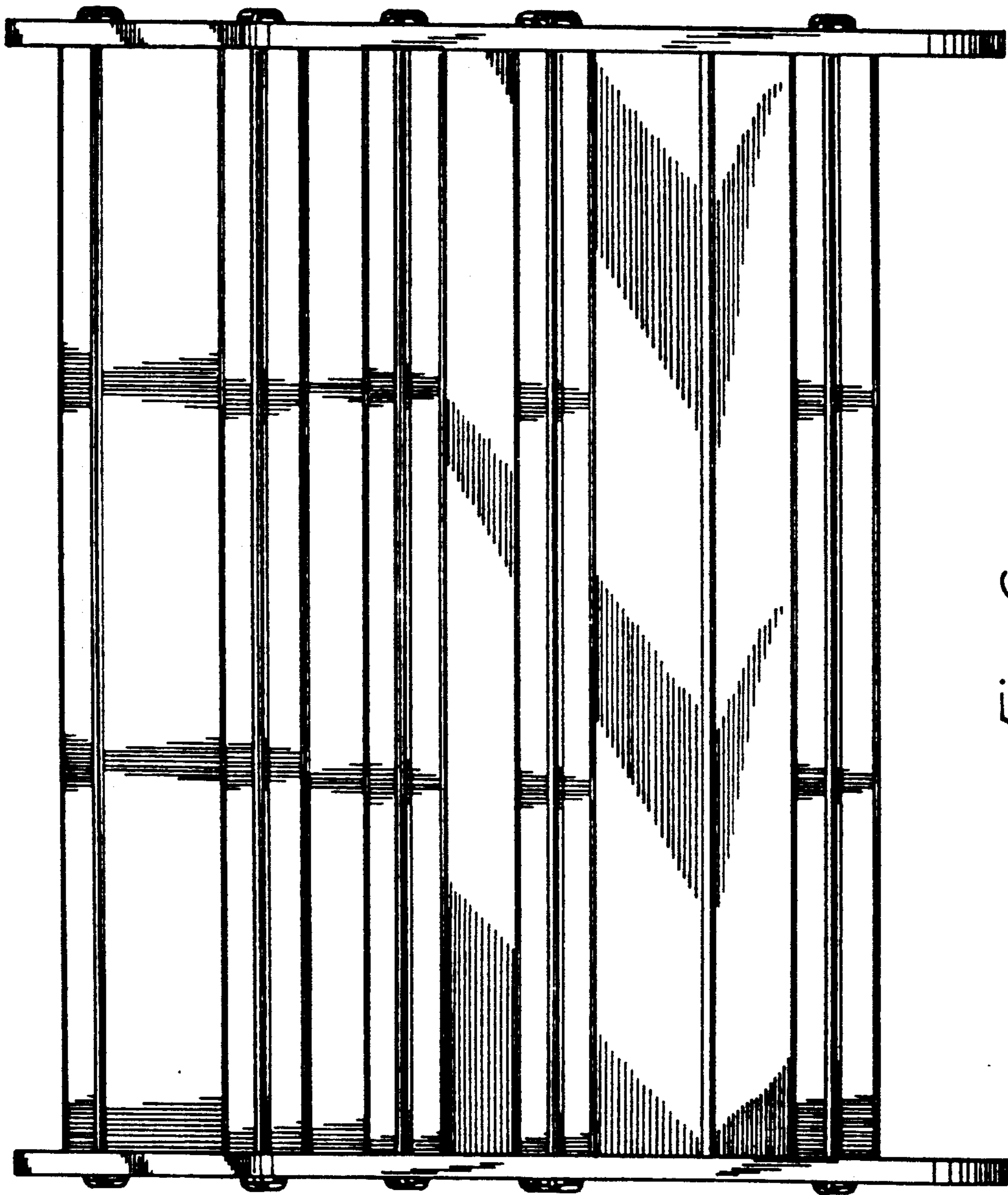


Fig. 6

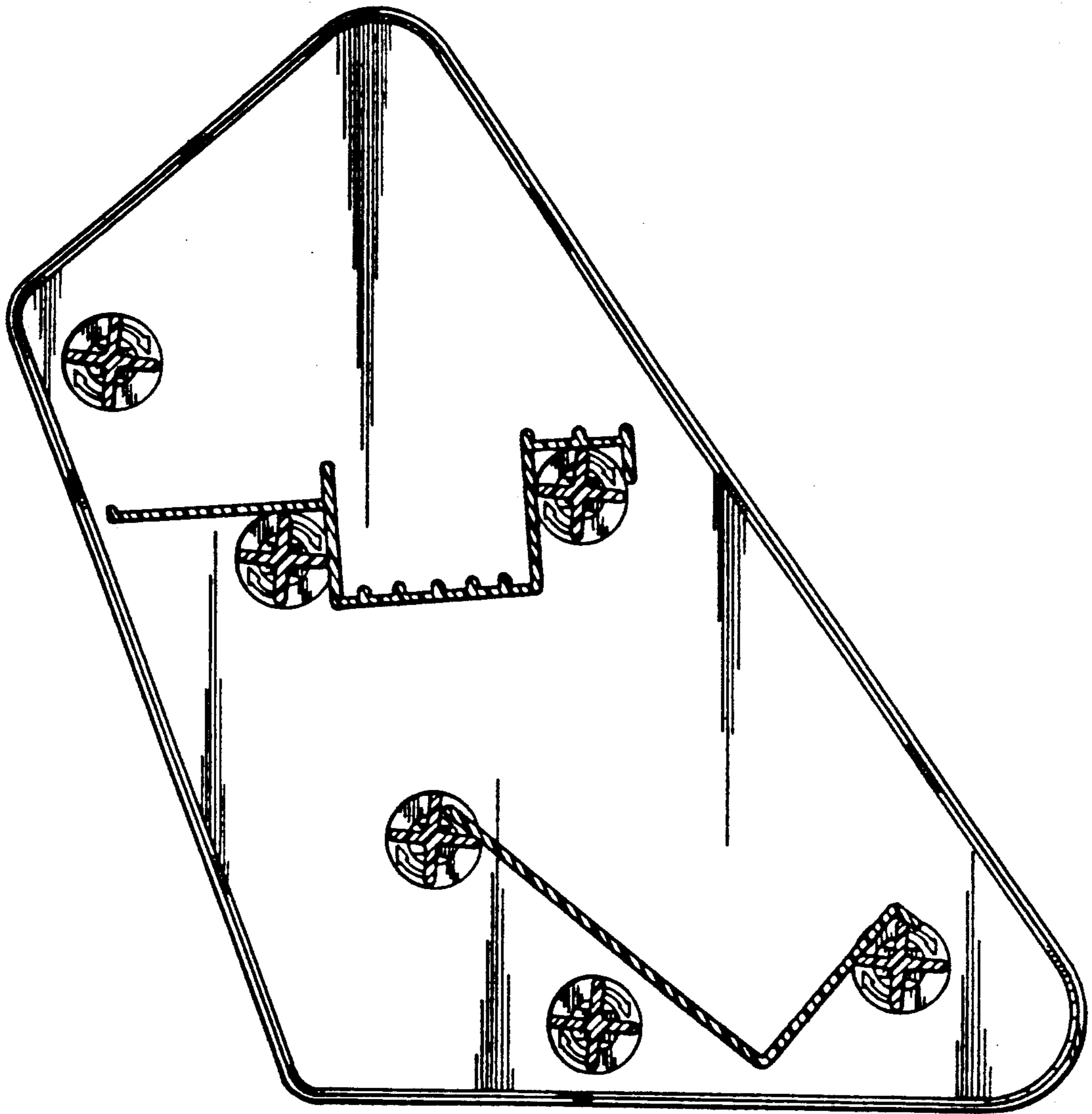


Fig. 7