



US00D348365S

# United States Patent [19]

[11] Patent Number: **Des. 348,365**

**Johnson**

[45] Date of Patent: **\*\* Jul. 5, 1994**

[54] **DISPLAY CASE**

[76] Inventor: **Mark S. Johnson, 1228 Wisconsin Ave., Pittsburgh, Pa. 15216**

[\*\*] Term: **14 Years**

[21] Appl. No.: **938,648**

[22] Filed: **Sep. 2, 1992**

[52] U.S. Cl. .... **D6/471**

[58] Field of Search ..... **D6/470, 471, 472, 463, D6/421, 449, 553, 555; 312/116, 140.1, 137, 138.1; D20/10**

[56] **References Cited**

**U.S. PATENT DOCUMENTS**

D. 99,822	5/1936	Newhard	.....	D20/10
D. 161,349	12/1950	Lett et al.	.....	D20/10
D. 197,321	1/1964	Jones	.....	D6/449 X
D. 251,707	5/1979	Jennings	.....	D6/449
D. 269,144	5/1983	Mark	.....	D6/555
D. 293,984	2/1988	Finger	.....	D6/449 X
D. 331,338	12/1992	Sussman	.....	D6/449 X
D. 339,250	9/1993	Risom et al.	.....	D6/421

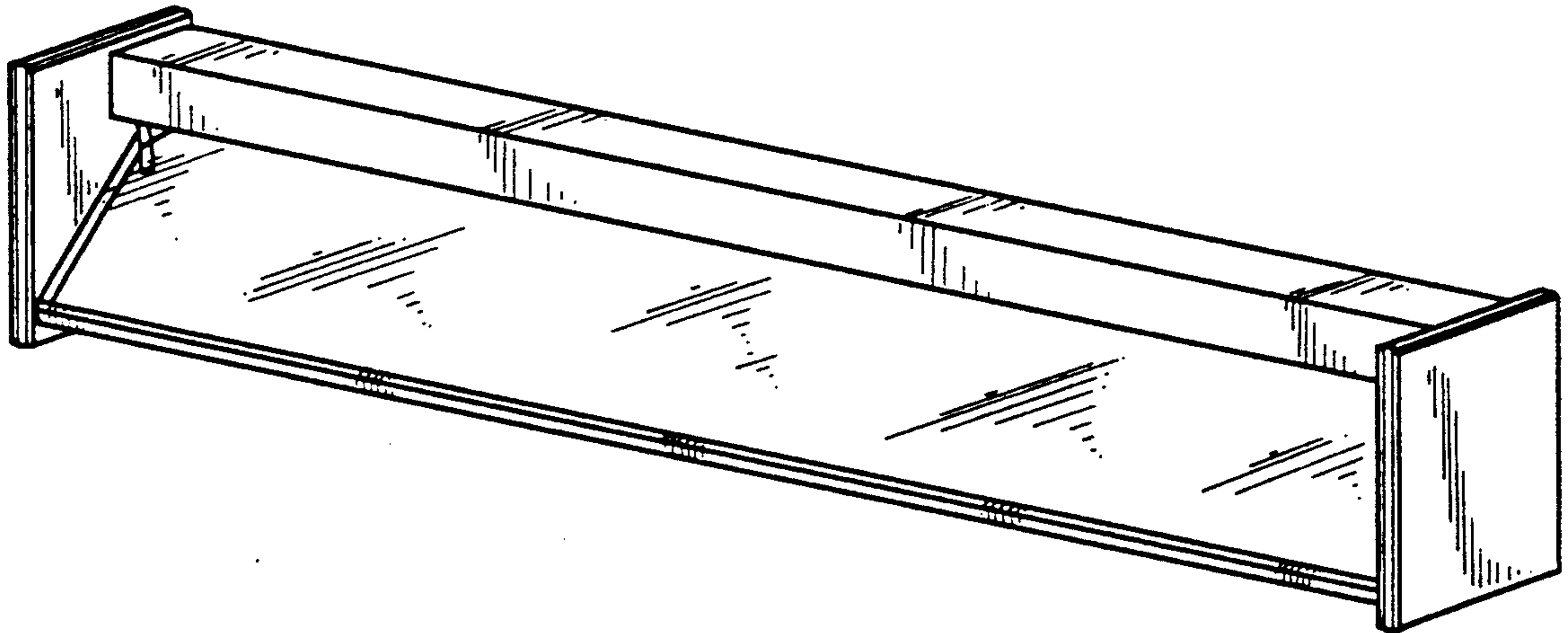
*Primary Examiner*—Alan P. Douglas  
*Assistant Examiner*—S. Snapp  
*Attorney, Agent, or Firm*—Carothers & Carothers

[57] **CLAIM**

The ornamental design for a display case, as shown and described.

**DESCRIPTION**

FIG. 1 is a perspective view of a display case showing my new design;  
FIG. 2 is a view in front elevation of the display case shown in FIG. 1;  
FIG. 3 is a view in rear elevation of the display case shown in FIG. 1;  
FIG. 4 is a top view of the display case shown in FIG. 1;  
FIG. 5 is a bottom view of the display case shown in FIG. 1;  
FIG. 6 is a left end view of the display case shown in FIG. 1; and,  
FIG. 7 is a right end view of the display case shown in FIG. 1.



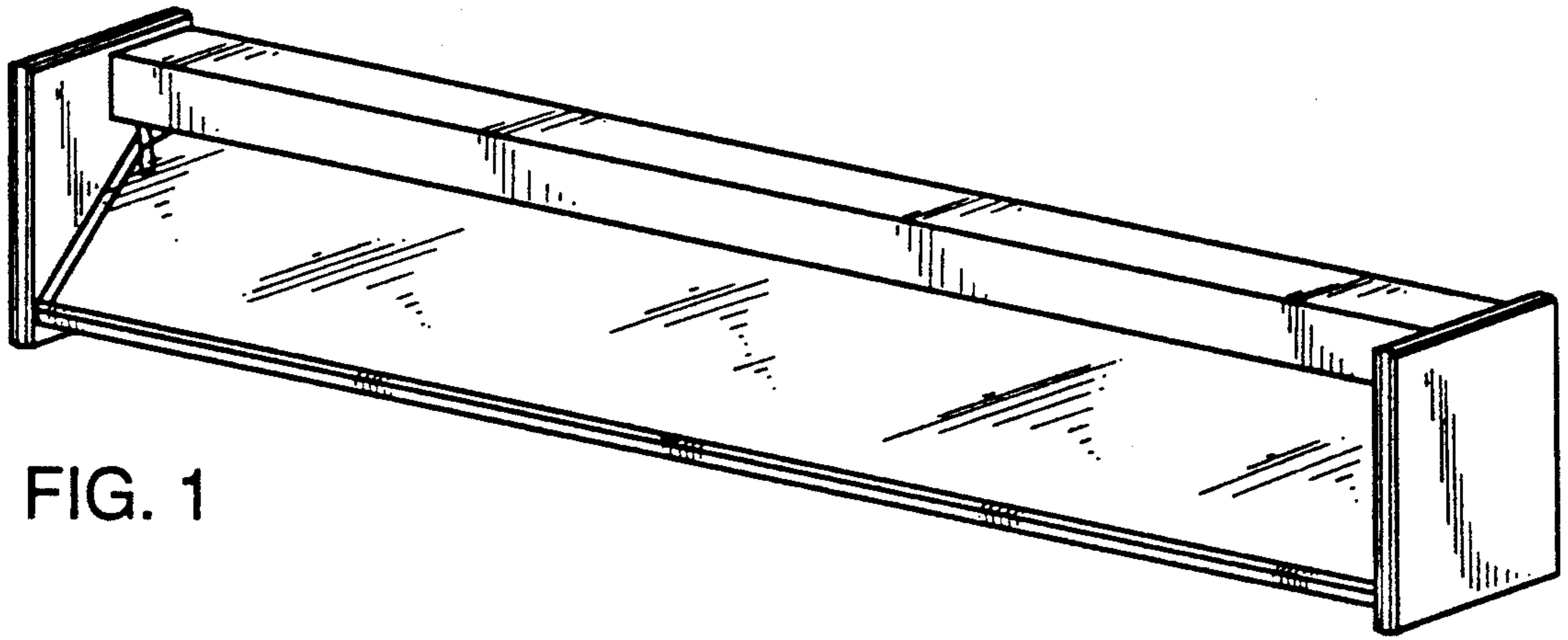


FIG. 1

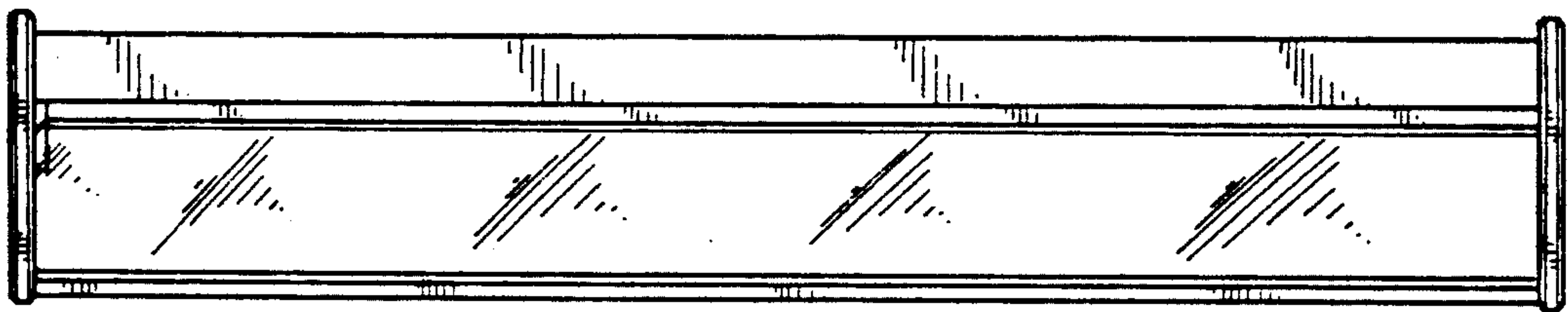


FIG. 2

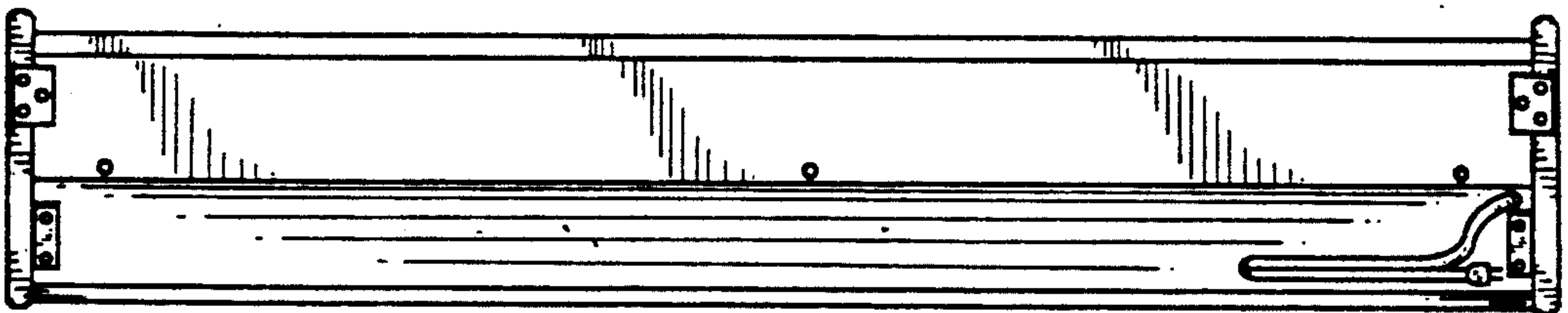


FIG. 3

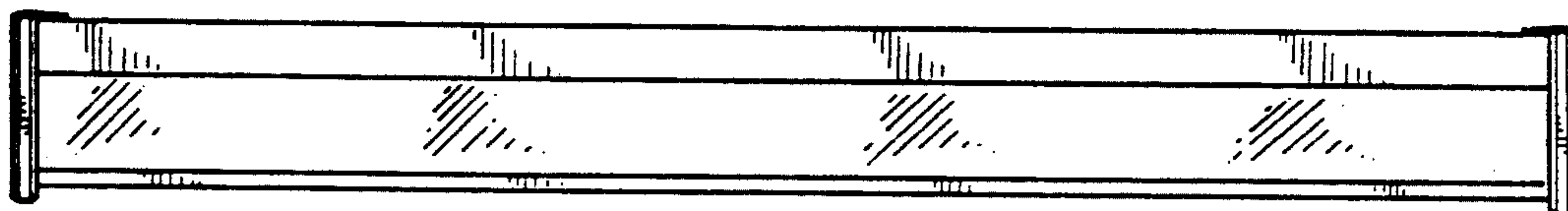


FIG. 4

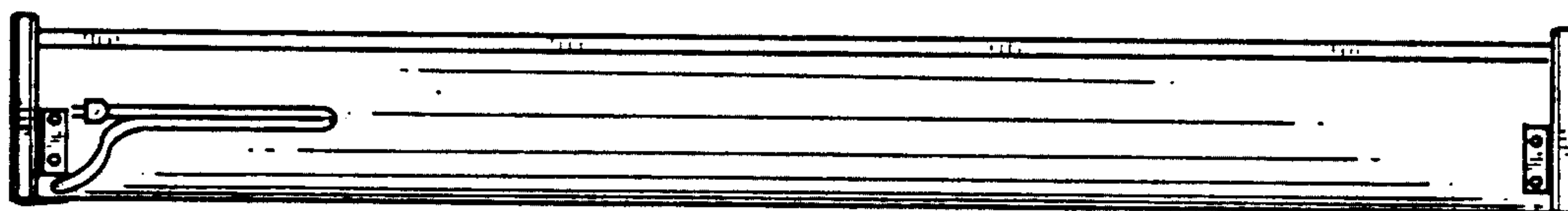


FIG. 5

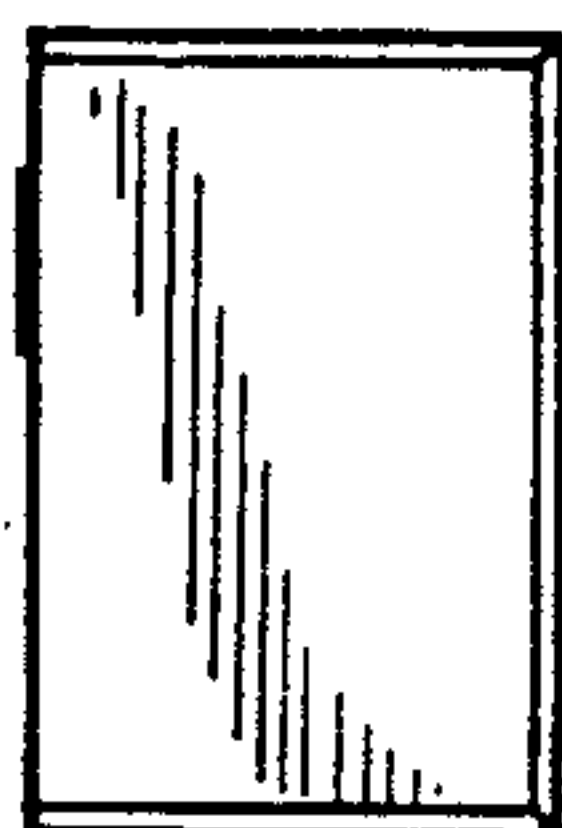


FIG. 6



FIG. 7