



US00D348357S

United States Patent [19]

[11] Patent Number: **Des. 348,357**

Libman

[45] Date of Patent: **** Jul. 5, 1994**

[54] **PUSH BROOM HEAD**

[75] Inventor: **Robert J. Libman**, Champaign, Ill.

[73] Assignee: **The Libman Company**, Arcola, Ill.

[**] Term: **14 Years**

[21] Appl. No.: **951,706**

[22] Filed: **Sep. 28, 1992**

[52] U.S. Cl. **D4/199; D4/132**

[58] Field of Search **D4/130, 132, 135, 199; 15/146, 159.1, 160, 171; D32/50-51**

[56] **References Cited**

U.S. PATENT DOCUMENTS

D. 143,537 1/1946 Le Febvre D4/132
3,108,306 10/1963 McWilliams 15/171

Primary Examiner—Wallace R. Burke

Assistant Examiner—Lavone D. Tabor
Attorney, Agent, or Firm—Marshall, O'Toole, Gerstein,
Murray & Borun

[57] **CLAIM**

The ornamental design for a push broom head, as shown and described.

DESCRIPTION

FIG. 1 is a top, front and left side perspective view of a push broom head showing my new design;
FIG. 2 is an enlarged left side elevational view thereof with the right side being a mirror image thereof;
FIG. 3 is a top plan view thereof;
FIG. 4 is a front elevational view thereof, with the rear elevational view being a mirror image thereof; and,
FIG. 5 is a bottom plan view thereof.
The bristles and handle shown in broken lines in the drawings are for illustrative purposes only and form no part of the claimed design.

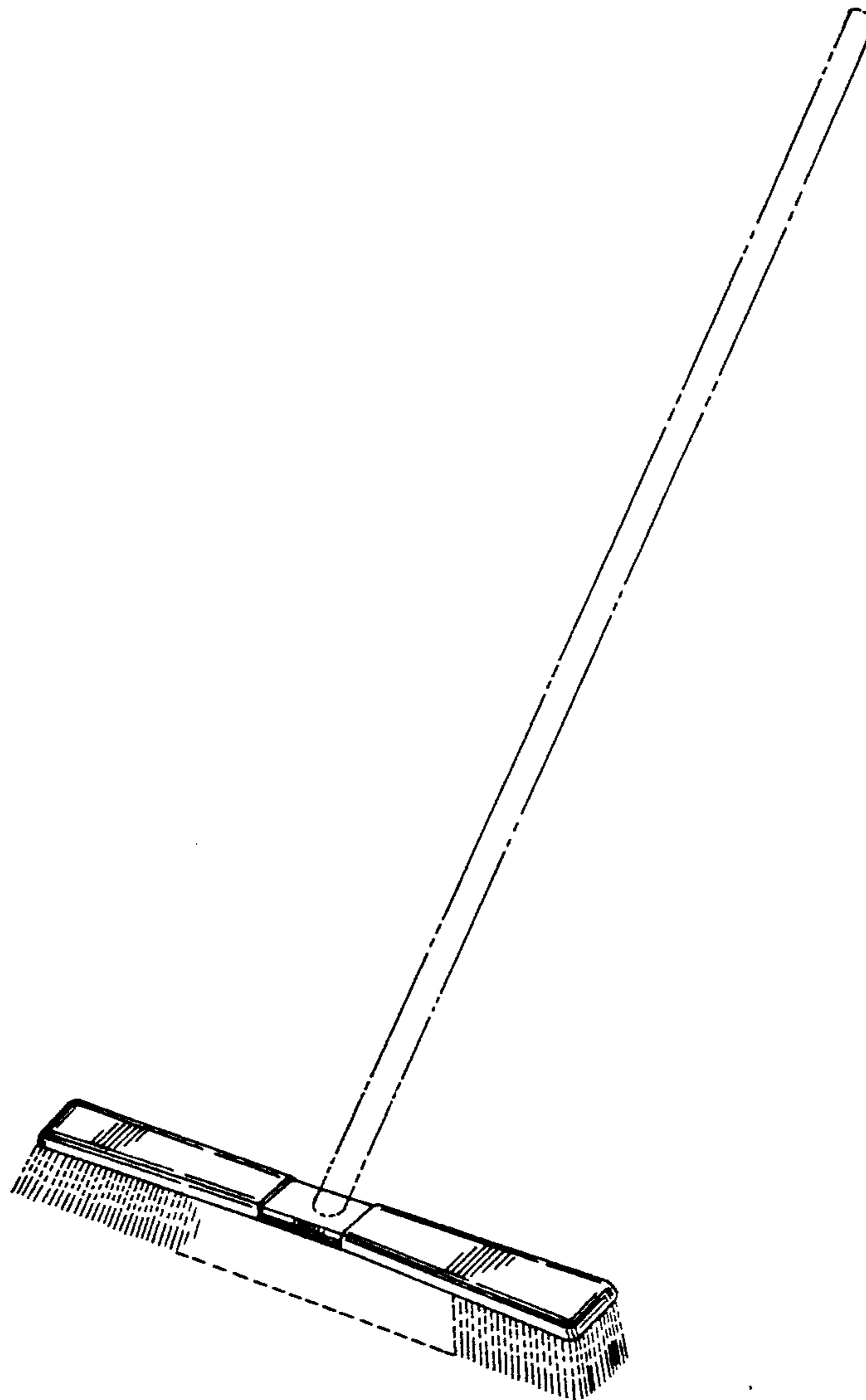


FIG. 1

FIG. 2

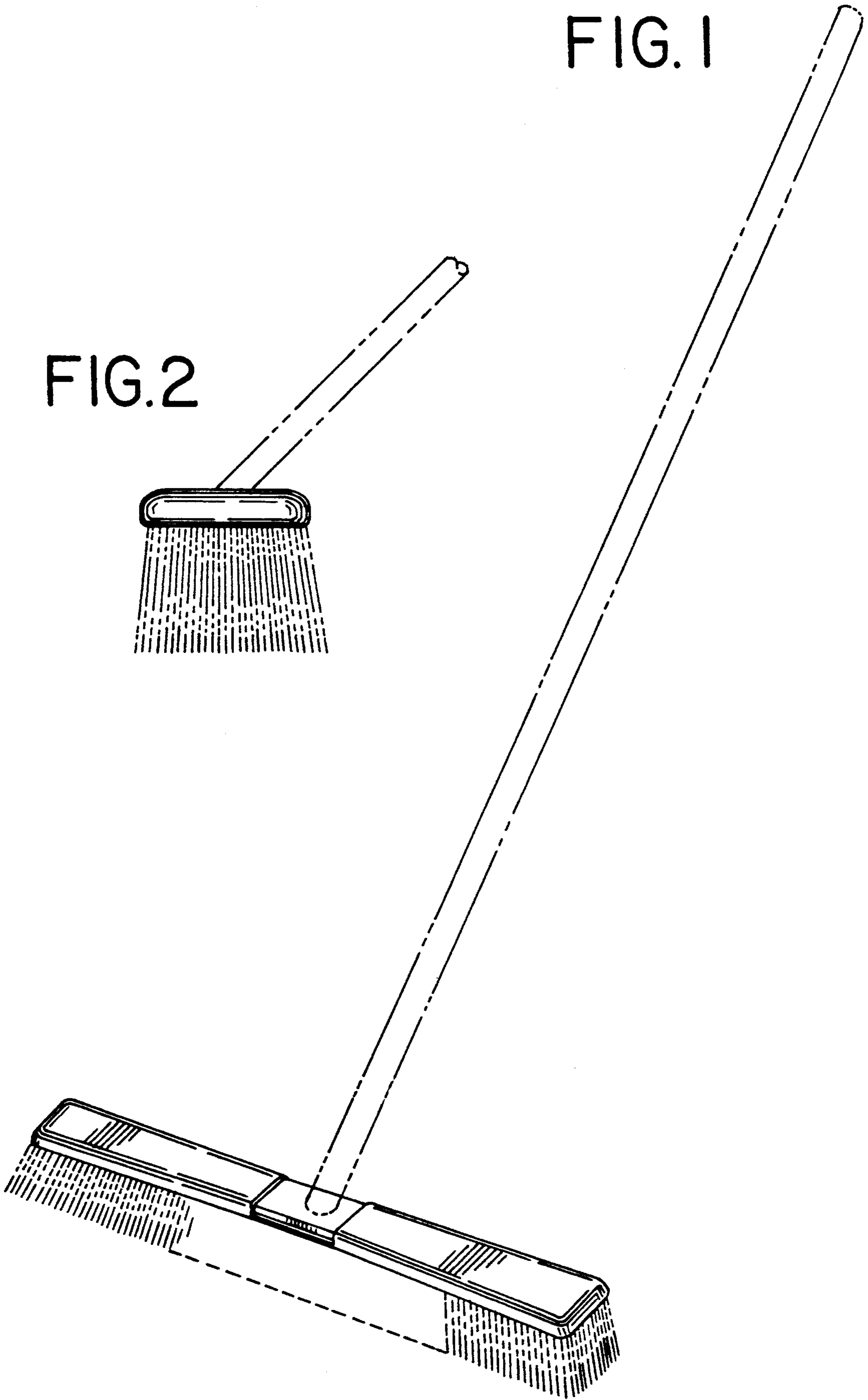


FIG. 3

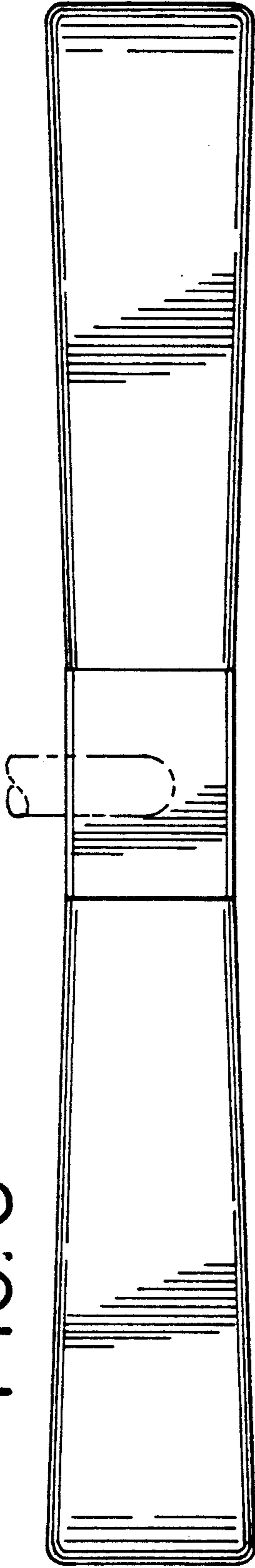


FIG. 4

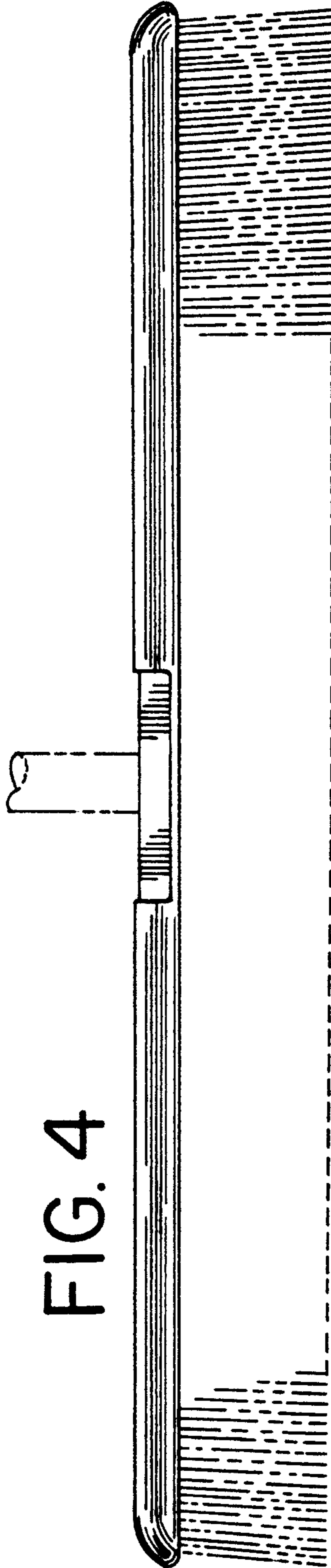


FIG. 5

