



US00D348344S

# United States Patent [19]

[11] Patent Number: **Des. 348,344**

**Apps**

[45] Date of Patent: **\*\* Jun. 28, 1994**

[54] **FRAGMENTARY NESTABLE TRAY COLUMN**

3,447,715	6/1969	Bency .....	206/507
4,189,052	2/1980	Carroll .....	206/507
4,256,224	3/1981	Hirota .....	206/203
4,319,685	3/1982	David .....	206/507
4,899,874	2/1990	Apps et al. ....	206/511 X
4,905,833	3/1990	Kreeger et al. ....	206/506
5,060,819	10/1991	Apps .....	220/519

[75] Inventor: **William P. Apps, Anaheim, Calif.**

[73] Assignee: **Rehrig-Pacific Company, Inc., Los Angeles, Calif.**

[\*\*] Term: **14 Years**

[21] Appl. No.: **11,172**

[22] Filed: **Jul. 28, 1993**

### Related U.S. Application Data

[63] Continuation of Ser. No. 897,514, Jun. 12, 1992, abandoned.

[52] U.S. Cl. .... **D3/318**

[58] Field of Search ..... **D9/341, 424, 425; 206/499, 503, 505, 506, 511, 512, 518, 519, 203, 821; 220/1.5, 23.6, 4 C, 509, 516-519, 906, DIG. 2, DIG. 15; D34/40-46**

### [56] References Cited

#### U.S. PATENT DOCUMENTS

D. 311,624	10/1990	O'Leary et al. ....	D34/40
D. 313,493	1/1991	Apps et al. ....	D34/40
D. 317,670	6/1991	Apps .....	D34/40
D. 318,552	7/1991	Apps .....	D34/40
D. 319,129	8/1991	Apps et al. ....	D34/40
D. 325,279	4/1992	Apps .....	D34/40
D. 327,357	6/1992	Rehrig .....	D34/40
D. 327,972	7/1992	Apps et al. ....	D34/40
D. 329,932	9/1992	Apps .....	D34/40
D. 330,621	10/1992	Apps .....	D34/40
3,283,943	11/1966	Cargnelutti .....	206/509

### FOREIGN PATENT DOCUMENTS

WO90/15758 12/1990 PCT Int'l Appl. .

*Primary Examiner*—Phabhakar G. Deshmukh  
*Attorney, Agent, or Firm*—Banner, Birch, McKie & Beckett

### [57] CLAIM

The ornamental design for a fragmentary nestable tray column, as shown and described.

### DESCRIPTION

FIG. 1 is a top plan view of a fragmentary nestable tray column showing my new design;  
 FIG. 2 is an enlarged scale front elevational view thereof; taken along line 2—2 of FIG. 1;  
 FIG. 3 is an enlarged scale rear elevational view thereof, taken along line 3—3 of FIG. 1;  
 FIG. 4 is an enlarged scale bottom plan view thereof;  
 FIG. 5 is an enlarged scale sectional elevational view thereof; taken along line 5—5 of FIG. 2;  
 FIG. 6 is an enlarged scale rear perspective view thereof;  
 FIG. 7 is an enlarged scale top plan view thereof; and,  
 FIG. 8 is an enlarged scale front perspective view thereof.

The broken line showing of a structure is for environmental purposes only and forms no part of the claim.

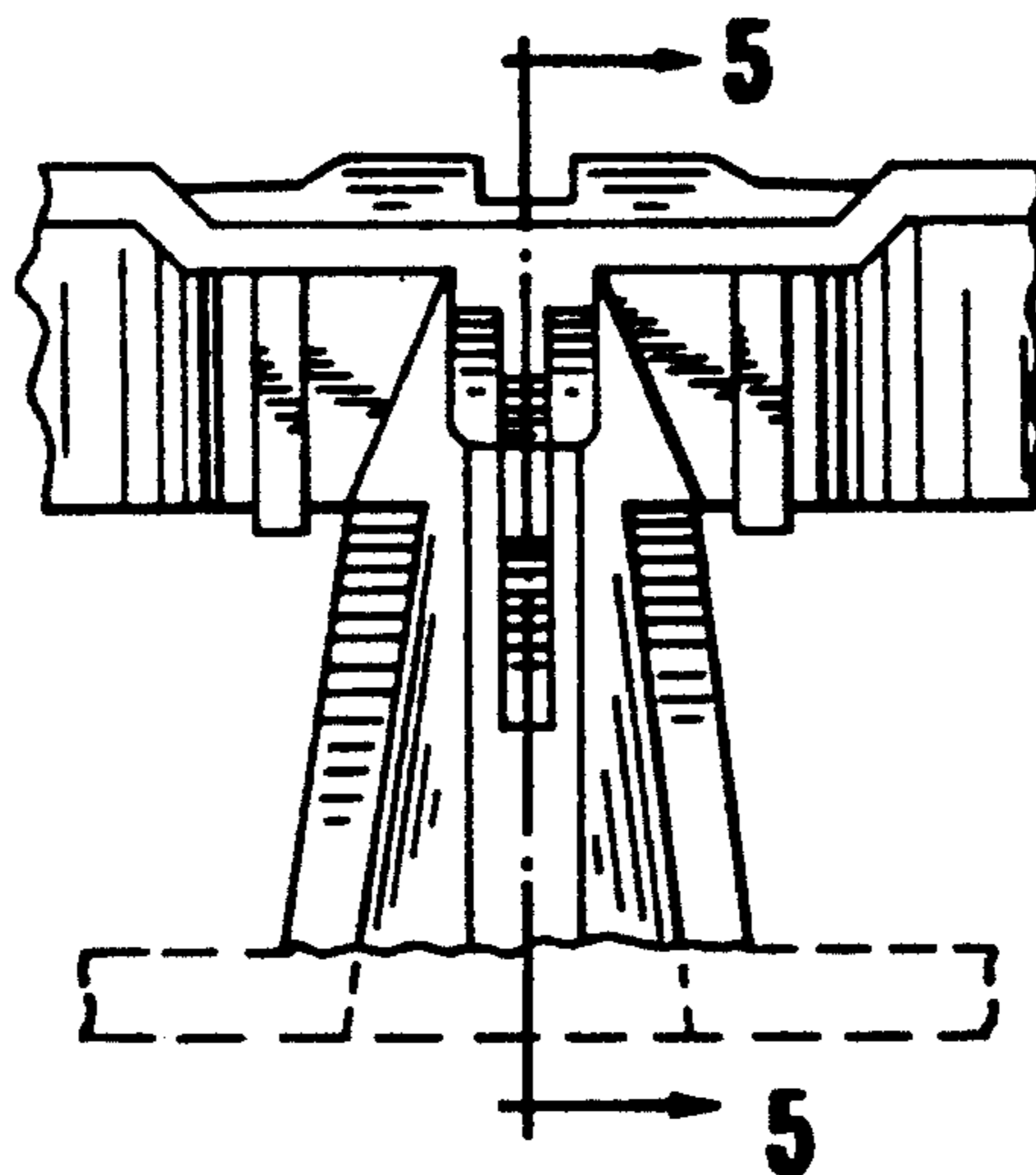
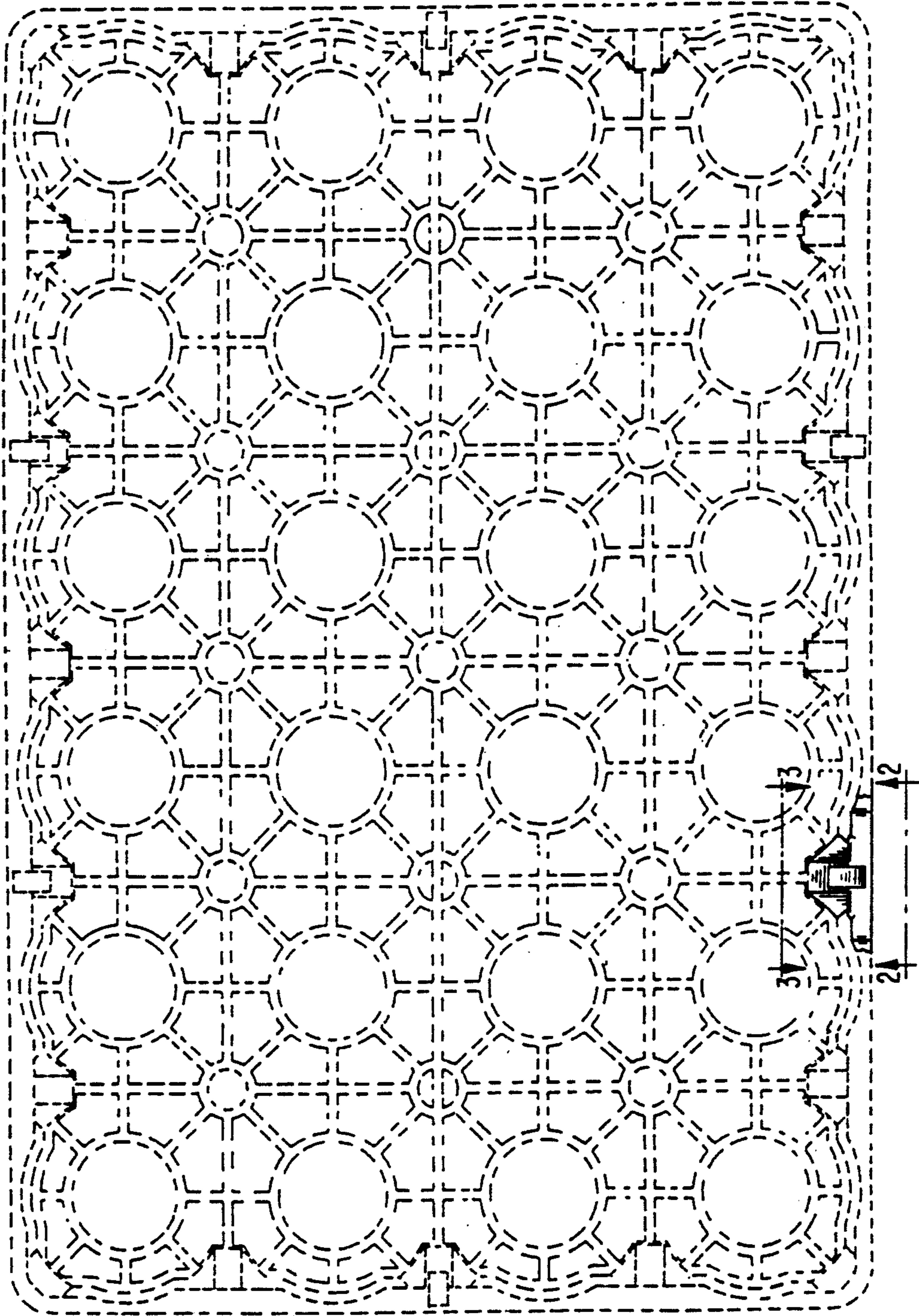
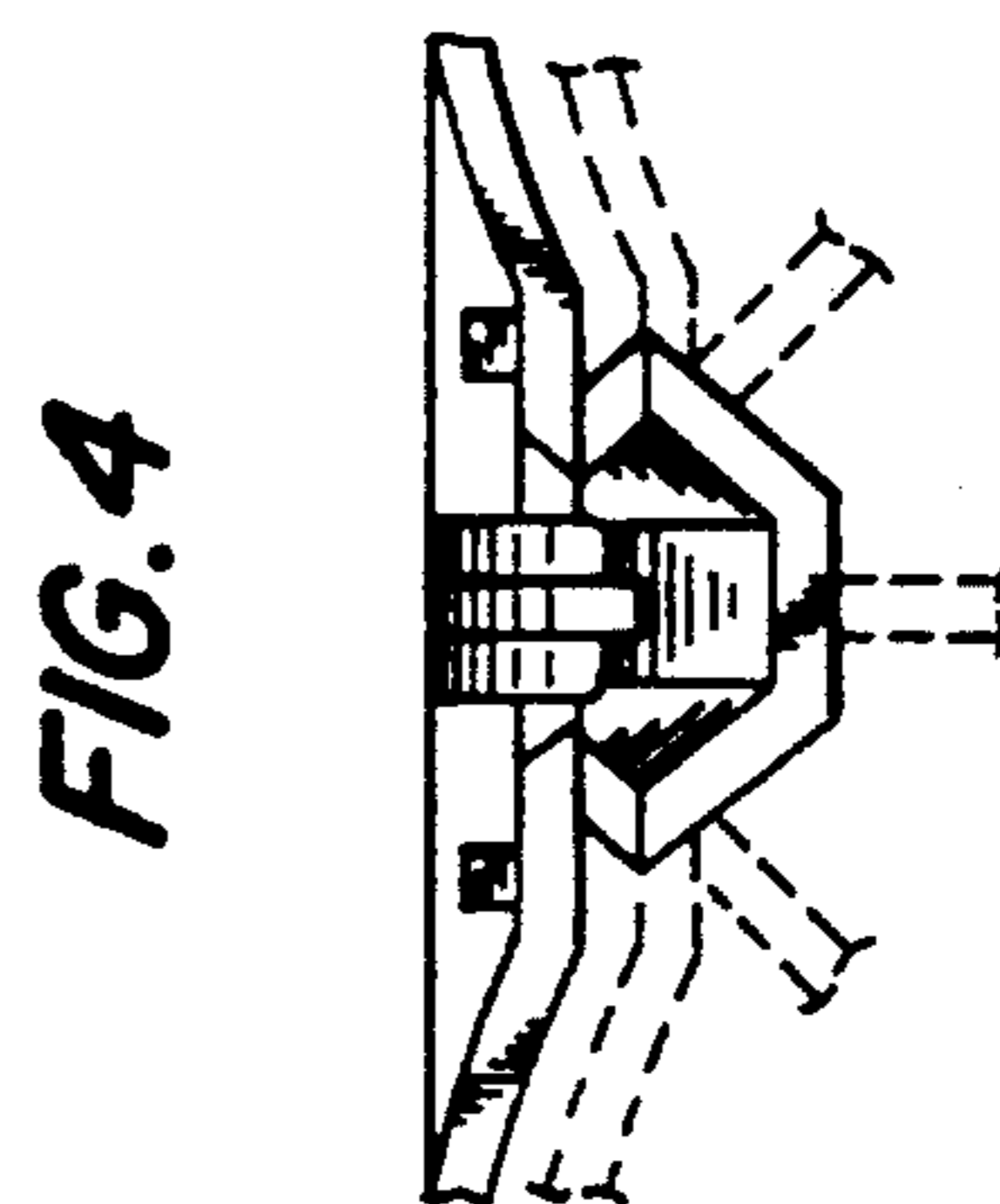
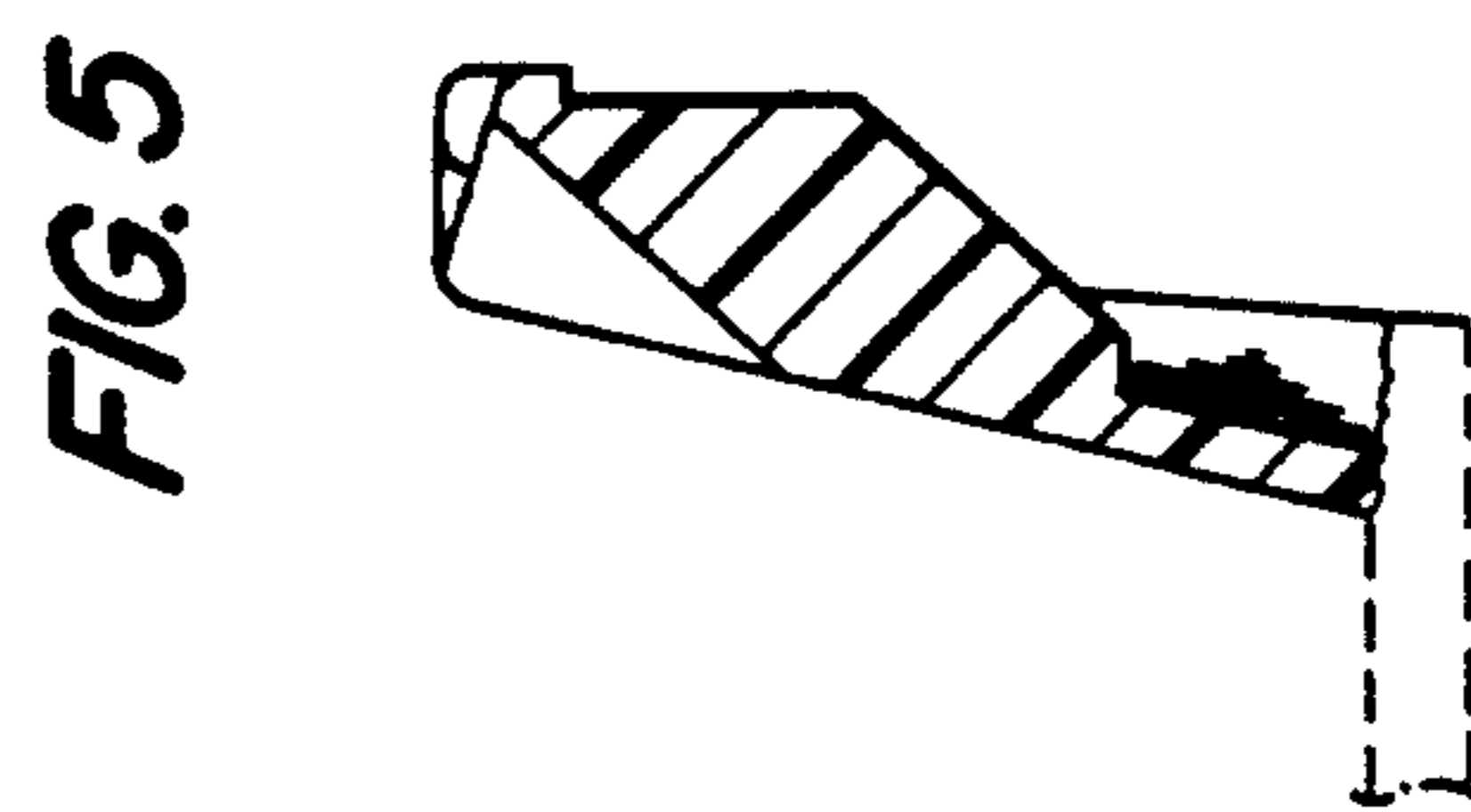
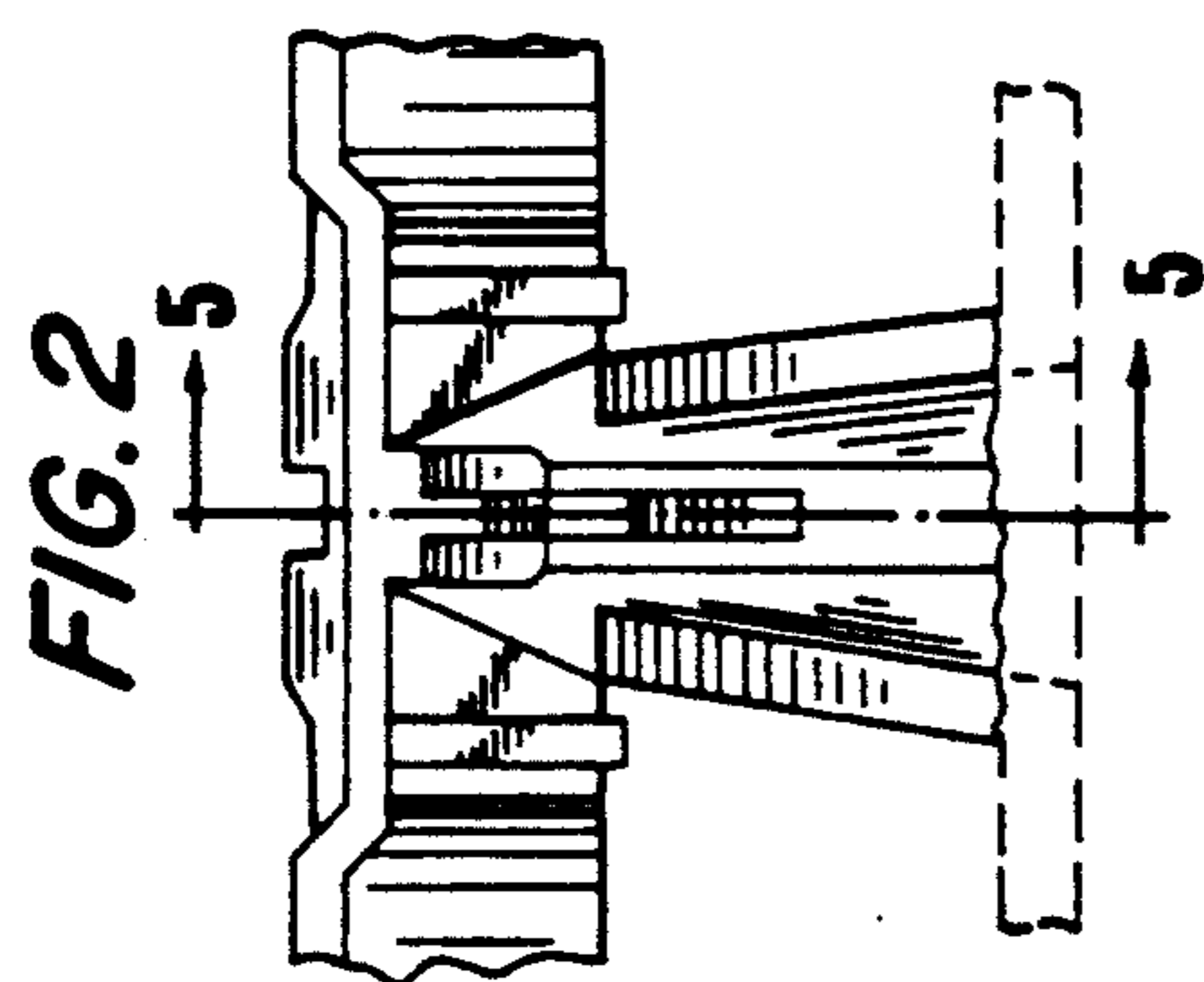
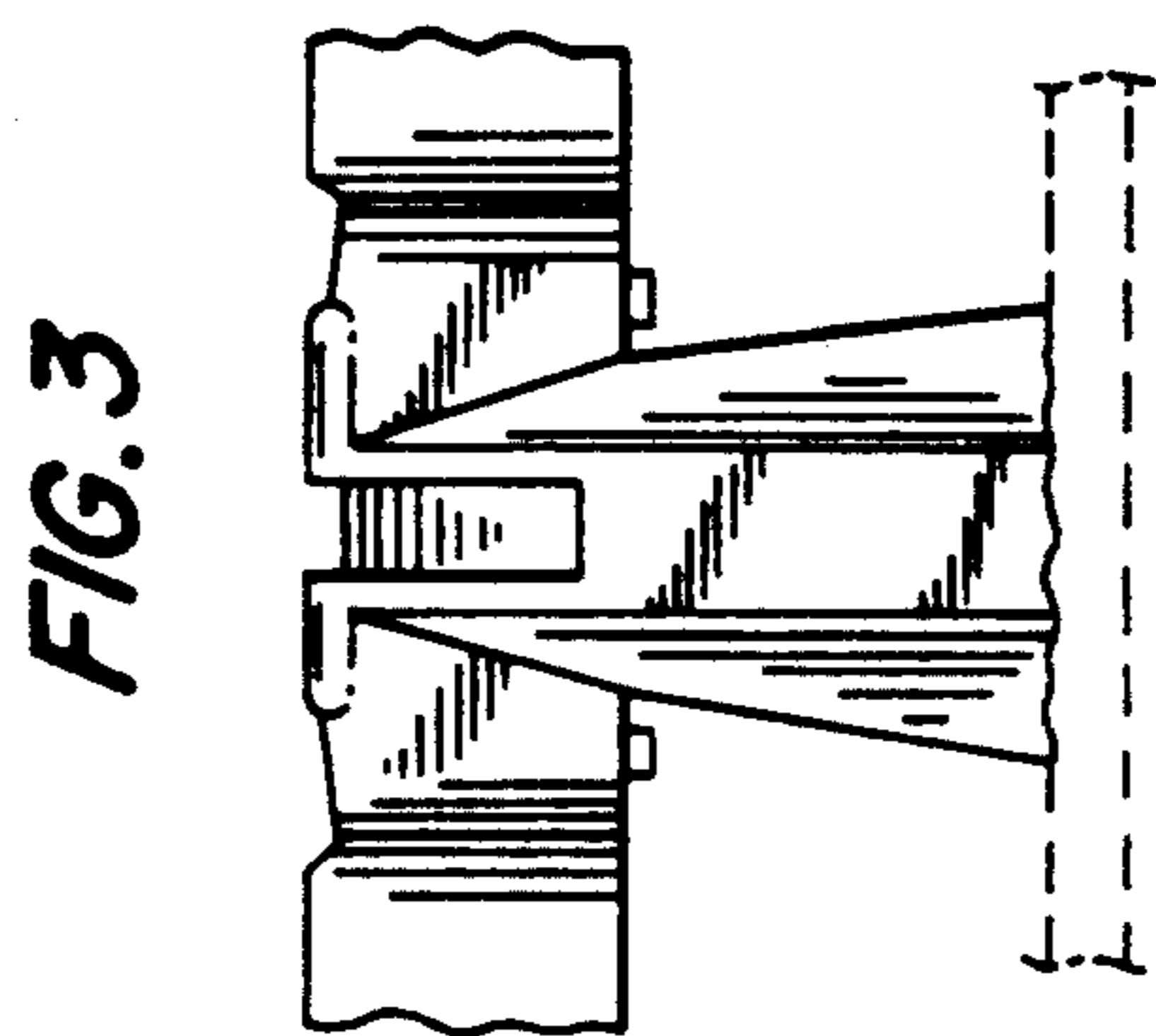
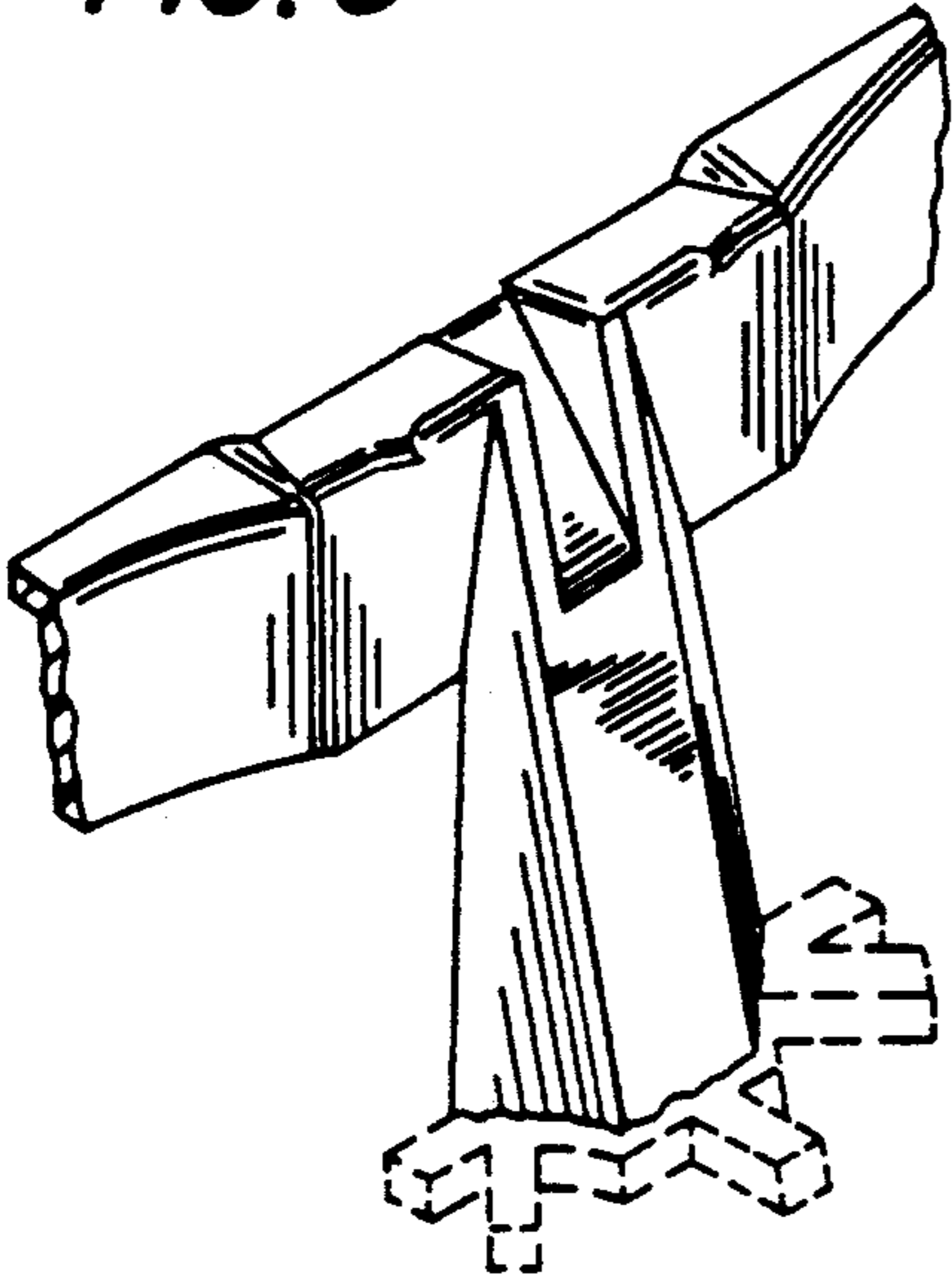


FIG. 1

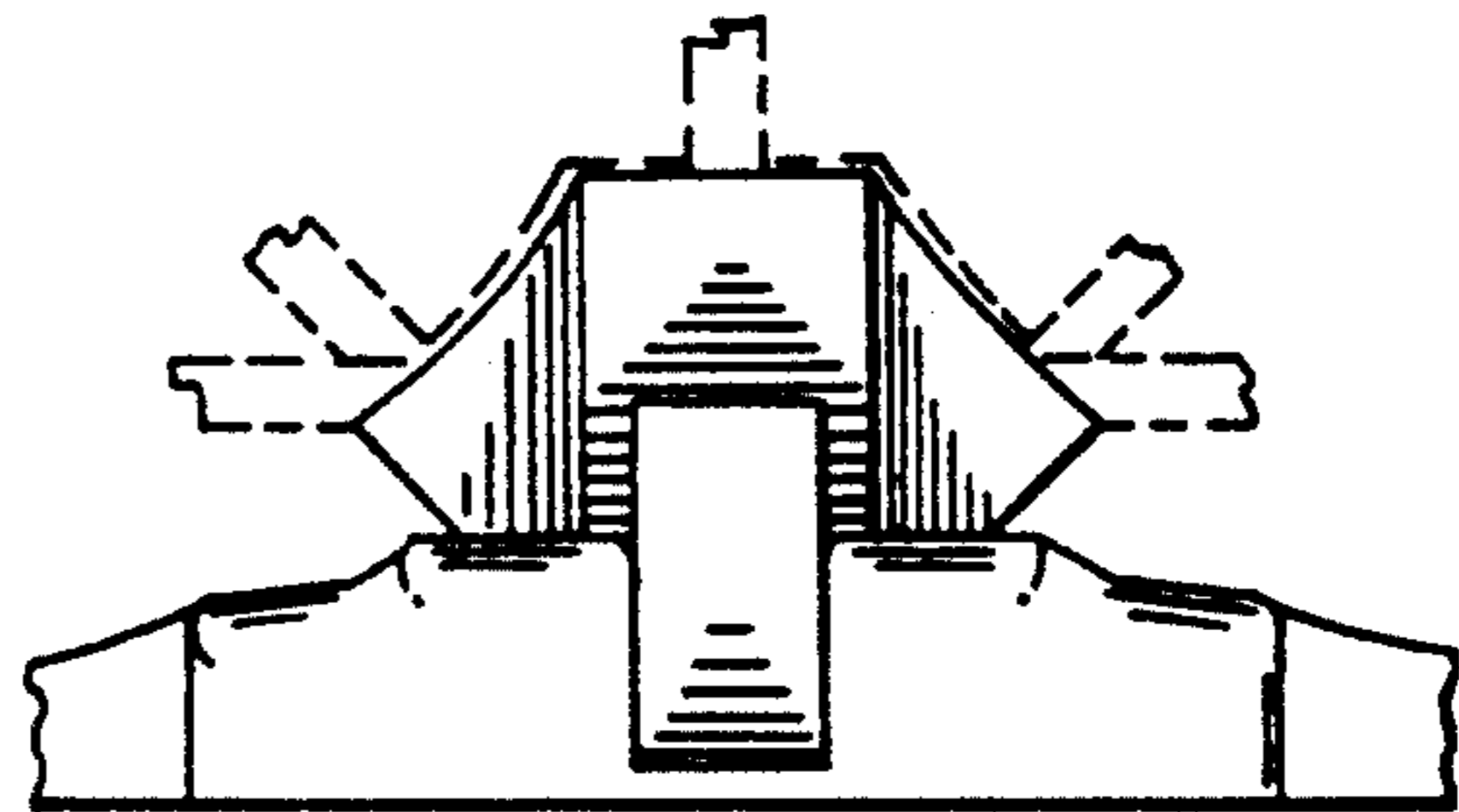




**FIG. 6**



**FIG. 7**



**FIG. 8**

