



US00D348343S

United States Patent [19]

[11] Patent Number: **Des. 348,343**

Lang-Ree et al.

[45] Date of Patent: **** Jun. 28, 1994**

[54] **FRAGMENTARY BOX WALL STRUCTURE**

4,765,480 8/1988 Malmanger 206/518 X
5,163,587 11/1992 Apps et al. .

[75] Inventors: **Arne Lang-Ree**, Menlo Park; **William P. Apps**, Anaheim; **Jeffery R. Ackerman**, Manhattan Beach, all of Calif.

OTHER PUBLICATIONS

[73] Assignee: **Rehrig Pacific Company, Inc.**, Los Angeles, Calif.

Lewisystems, 1983, p. 26, as shown.
Rand Catalog, pp. 45 to 48, Undated.
Lewis Systems, P. 10, Undated.
Liqui-Box Corporation catalog, HIE-1M, Undated.
Article entitled: "Leading the Way in Parts Distribution", reprinted from *Modern Materials Handling*, Aug. 1989.

[**] Term: **14 Years**

Primary Examiner—Prabhakar G. Deshmukh
Attorney, Agent, or Firm—Banner, Birch, McKie & Beckett

[21] Appl. No.: **943,606**

[22] Filed: **Sep. 11, 1992**

[52] U.S. Cl. **D3/321**

[58] Field of Search D9/424, 425, 341;
206/503, 504, 505, 508, 509, 518, 427; 220/1.5,
23.6, 255, 338, 675, 669, DIG. 15; D34/40-46

[57] **CLAIM**

The ornamental design for a fragmentary box wall structure, as shown and described.

[56] **References Cited**

DESCRIPTION

U.S. PATENT DOCUMENTS

D. 197,311	1/1964	Spaar et al.	D34/40
D. 257,528	11/1980	Cherry	D34/40 X
D. 329,931	9/1992	Apps	D34/40
3,265,254	8/1966	Carter et al. .	
3,282,462	11/1986	Box .	
3,371,824	3/1968	Goss .	
3,463,345	8/1969	Bockenstette	206/508 X
3,628,684	12/1971	Sere .	
3,830,406	8/1974	Robb .	
3,840,115	10/1974	Ladewig	206/506
3,964,636	6/1976	Rehrig .	
3,967,747	7/1976	Wagner .	
3,998,327	12/1976	Box .	
4,011,948	3/1977	Rehrig et al. .	
4,189,052	2/1980	Caroll et al. .	
4,620,644	11/1986	Miller	206/806 X
4,685,567	8/1987	Webb	206/508 X

FIG. 1 is a top and front perspective view of a fragmentary box wall structure showing our new design;
FIG. 2 is a side elevational view of the fragmentary box wall structure of FIG. 1, the other side view being a mirror image;
FIG. 3 is a front elevational view of the fragmentary box wall structure of FIG. 1;
FIG. 4 is a rear elevational view of the fragmentary box wall structure of FIG. 1;
FIG. 5 is a top plan view of the fragmentary box wall structure of FIG. 1; and,
FIG. 6 is a bottom plan view of the fragmentary box wall structure of FIG. 1.
The broken line showing of the box floor and lid panels are environmental only and form no part of the claimed design.

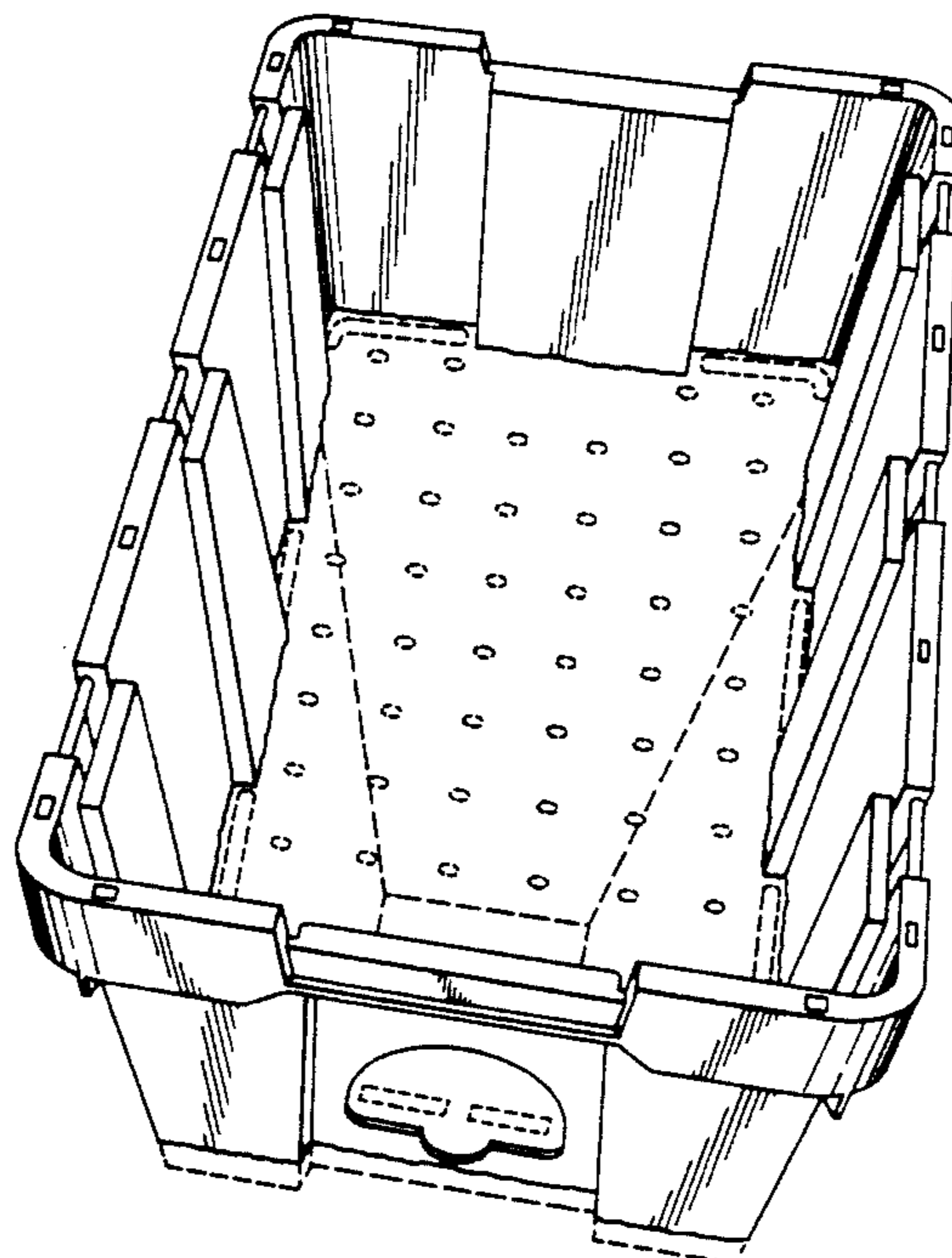


FIG. 1

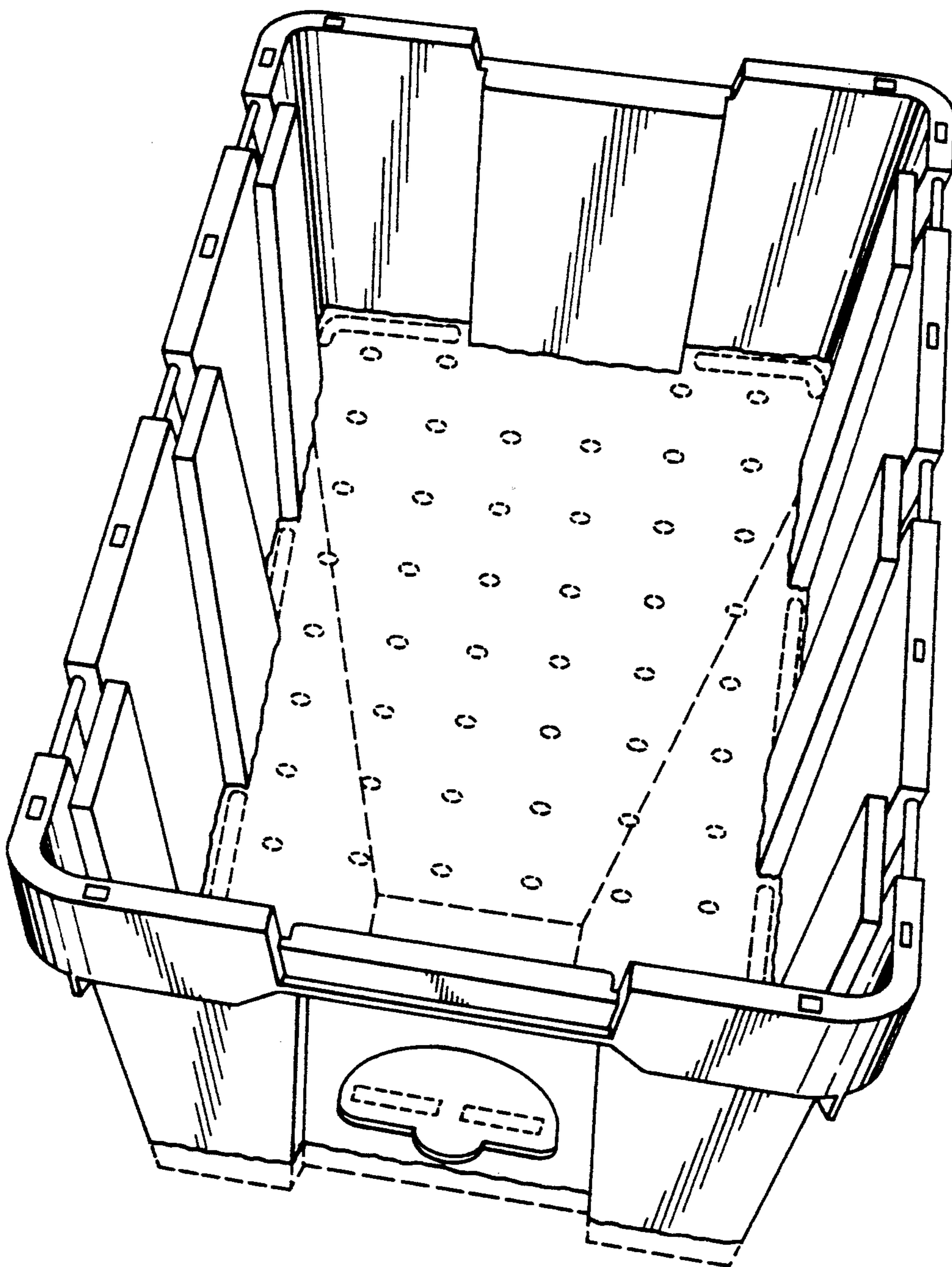


FIG. 2

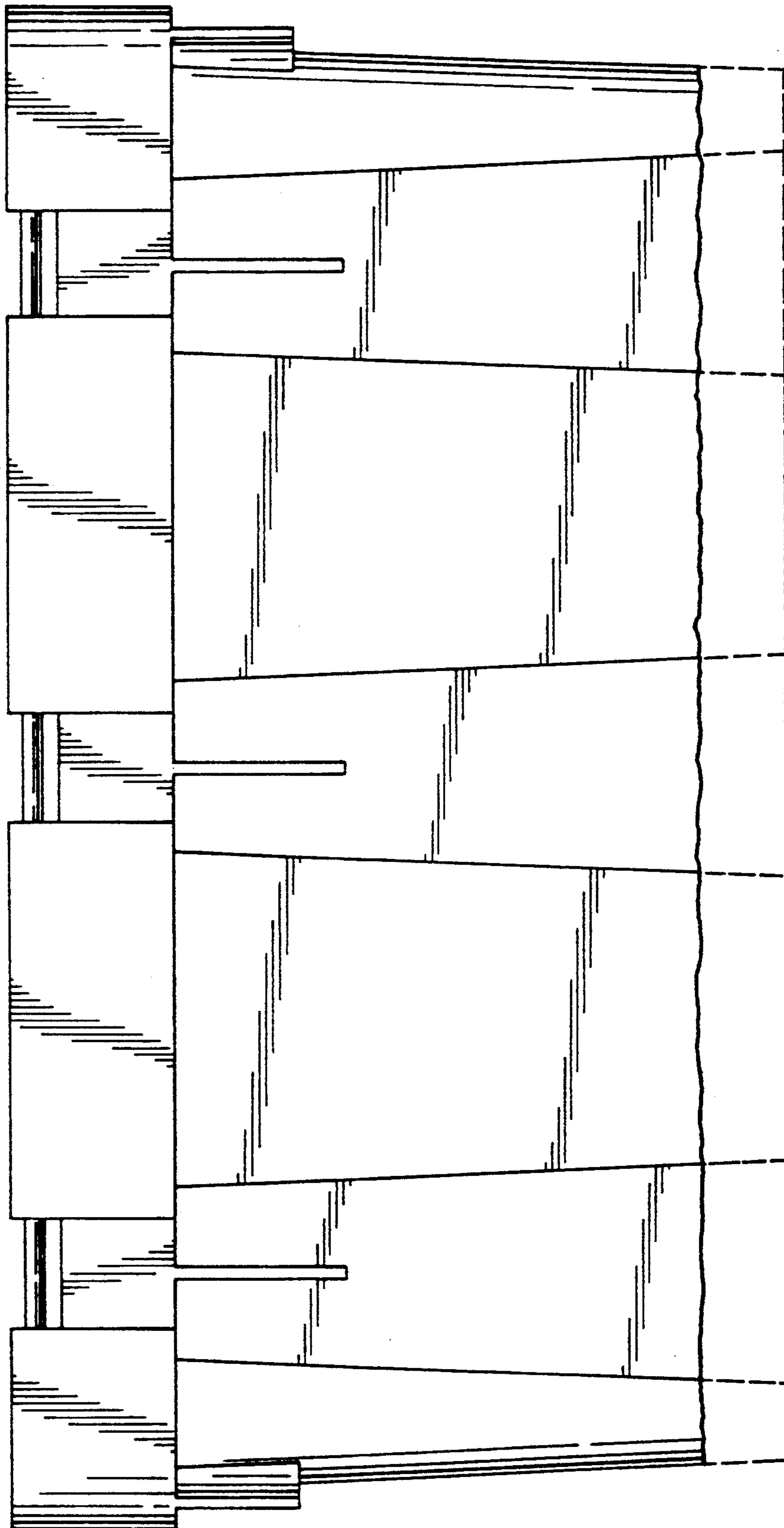


FIG. 3

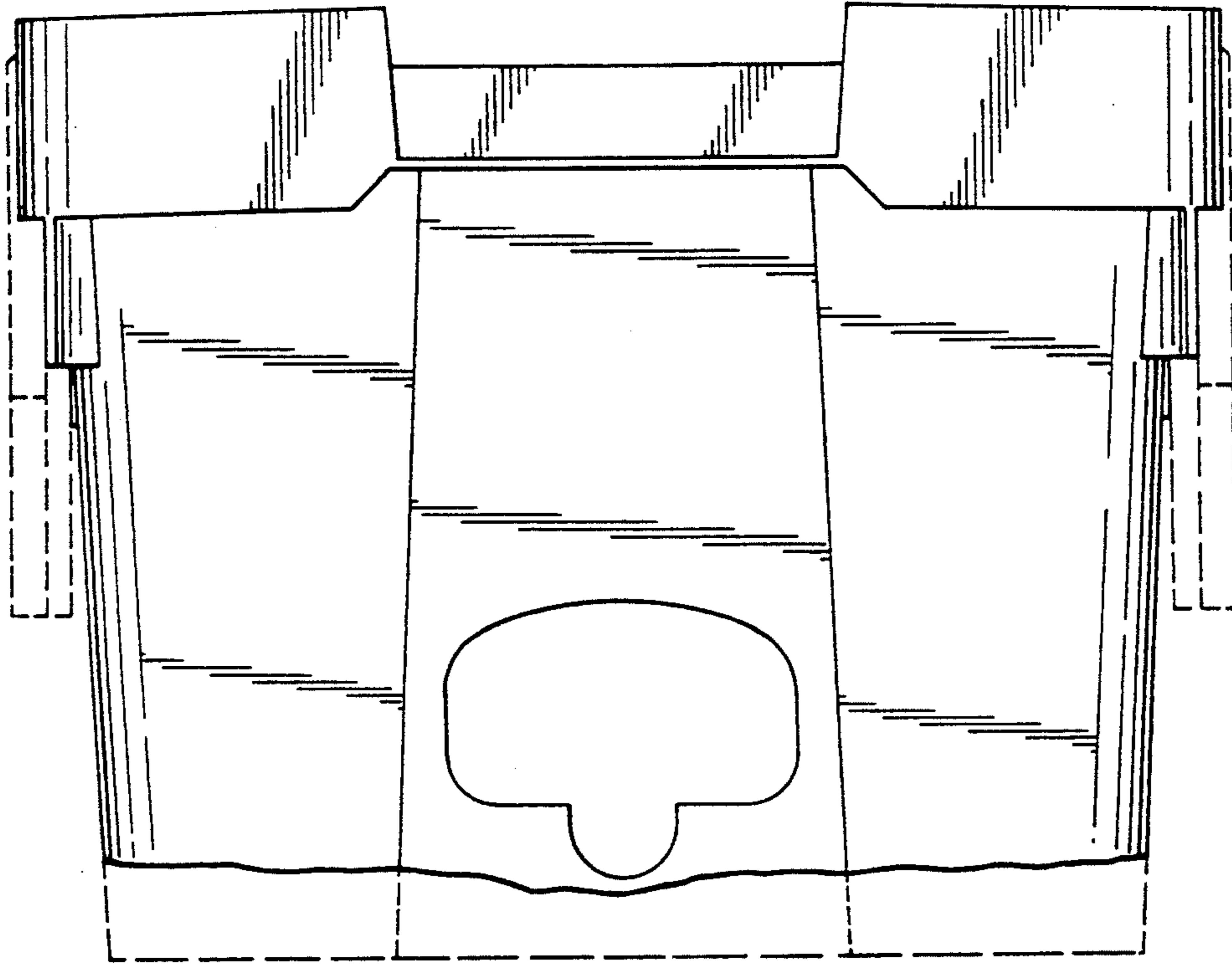


FIG. 4

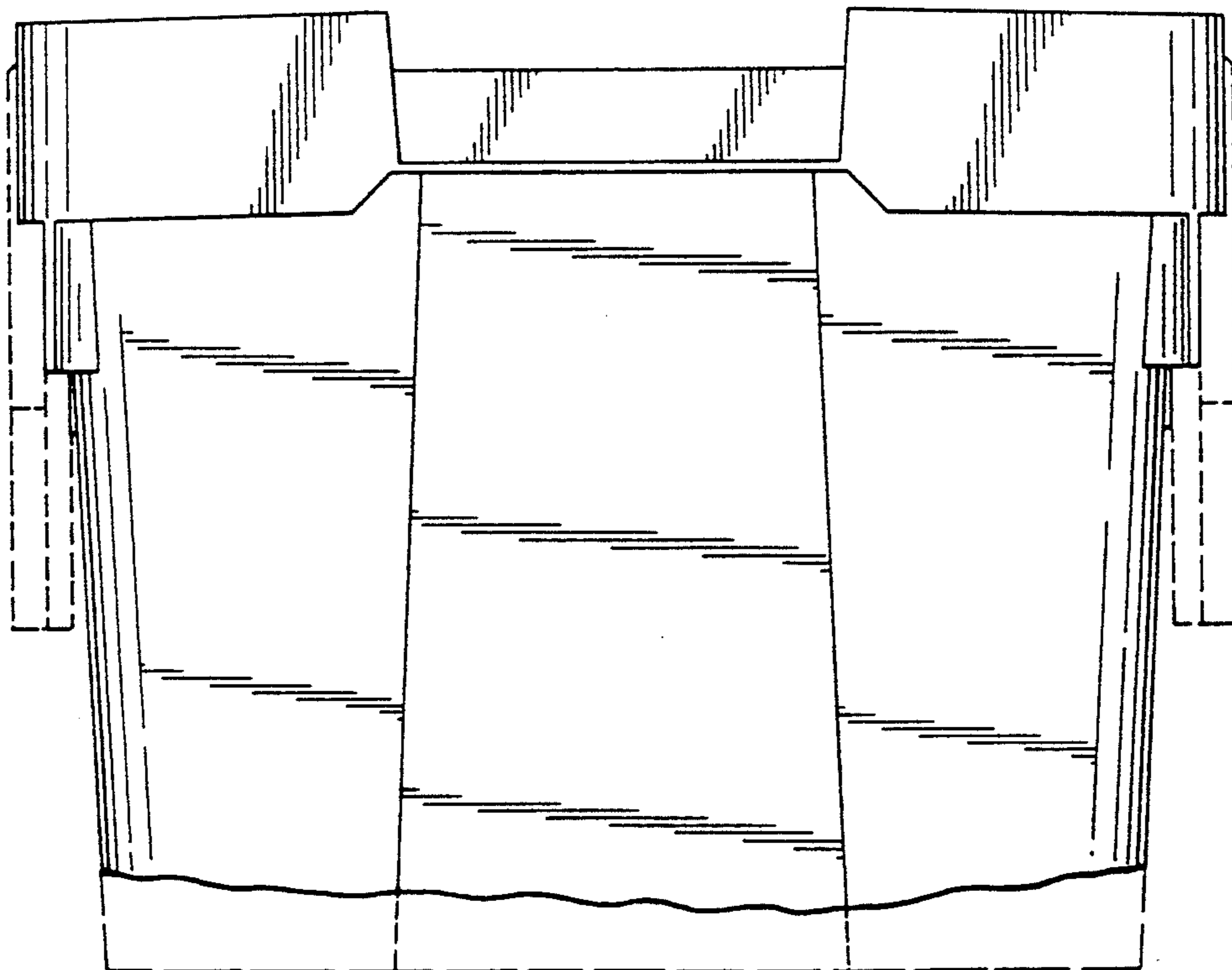


FIG. 5

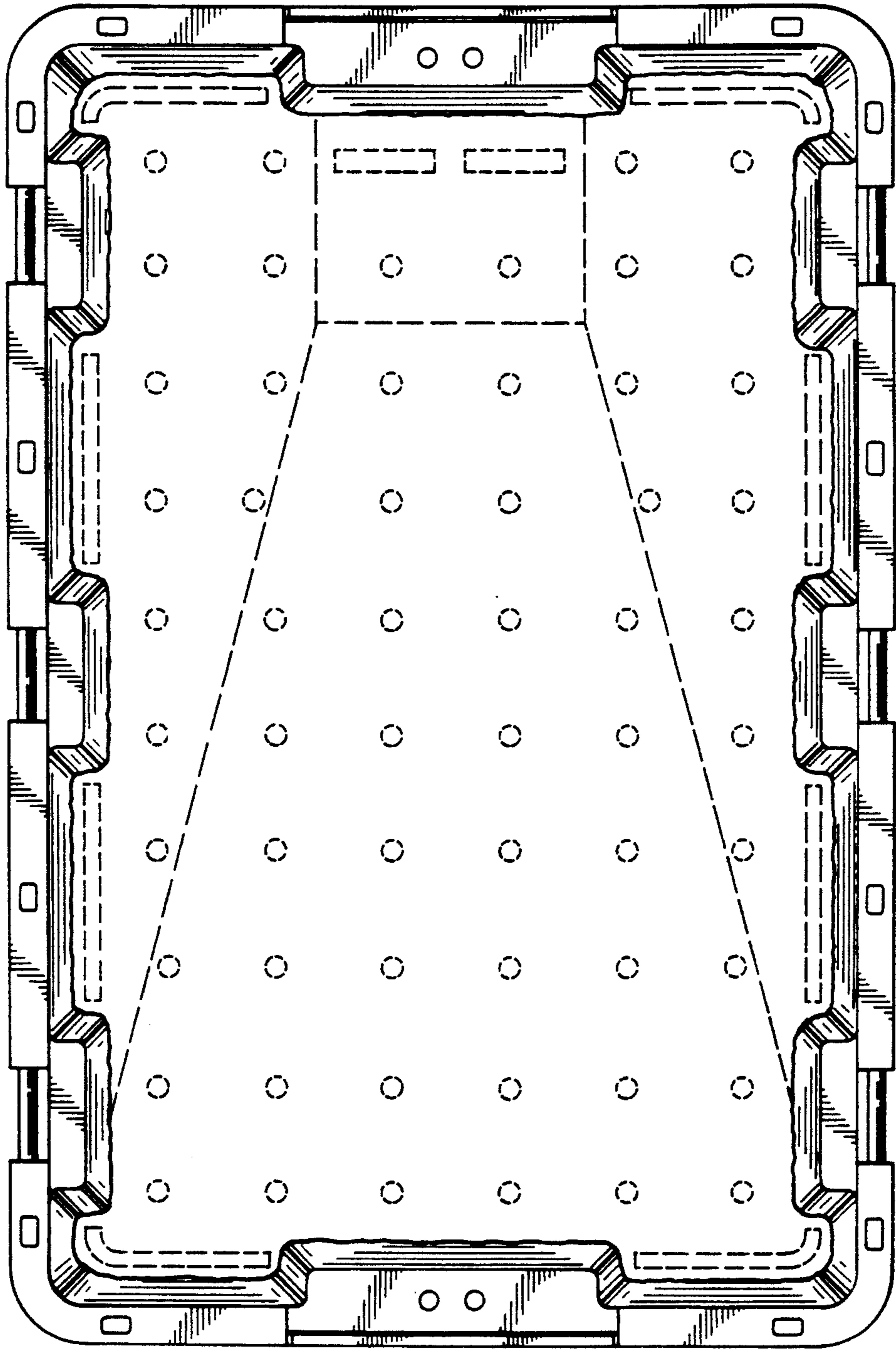


FIG. 6

