



US00D348340S

United States Patent [19]

Collins, Jr. et al.

[11] Patent Number: **Des. 348,340**

[45] Date of Patent: **** Jun. 28, 1994**

[54] **HIGH/LOW JACK STAND**

[75] Inventors: **Robert H. Collins, Jr., Incline, Nev.;
Wilbert Jolivette, Houston, Tex.**

[73] Assignee: **Sumner Manufacturing Co., Inc.,
Houston, Tex.**

[**] Term: **14 Years**

[21] Appl. No.: **4,606**

[22] Filed: **Feb. 9, 1993**

[52] U.S. Cl. **D34/31; D34/28**

[58] Field of Search **254/98, 89 R, 102, 11;
248/352, 354.4; D34/28, 31**

[56] **References Cited**

U.S. PATENT DOCUMENTS

3,030,073 4/1962 Rhoads 254/98

3,313,505 4/1967 Petrie 254/98
3,667,730 6/1972 Kollmar 254/98
4,811,924 3/1989 Walters 248/352
5,165,665 11/1992 Jolivette, Sr. 254/98

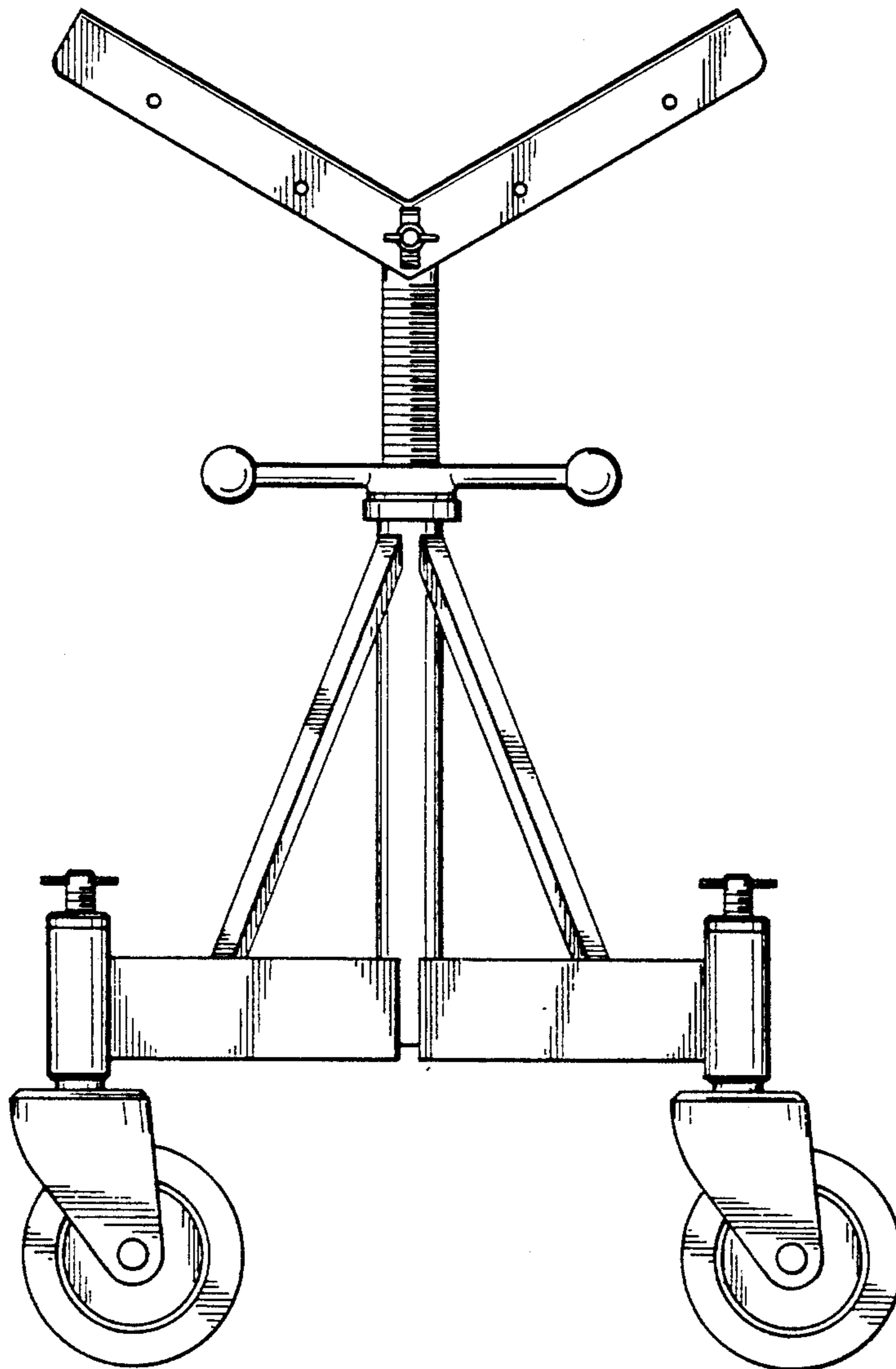
Primary Examiner—**Kay H. Chin**
Attorney, Agent, or Firm—**James L. Jackson**

[57] **CLAIM**

The ornamental design for a high/low jack stand, as shown and described.

DESCRIPTION

FIG. 1 is a side elevational view of a high/low jack stand showing our new design;
FIG. 2 is an end elevational view thereof, the opposite end elevational view being a mirror image thereof;
FIG. 3 is a plan view thereof; and,
FIG. 4 is the opposite side elevational view thereof from the elevational view shown in FIG. 1, thereof.



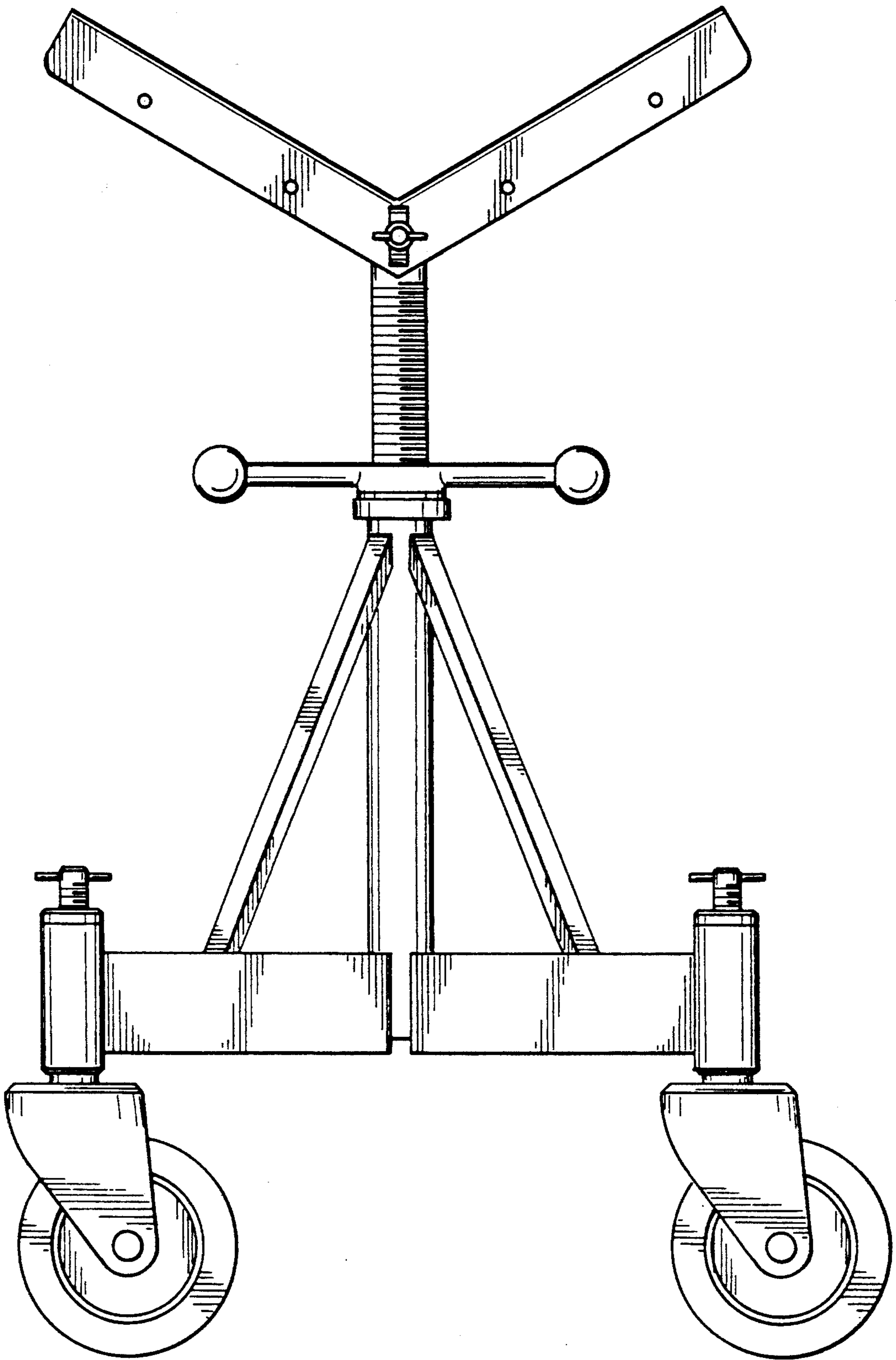


FIG. 1

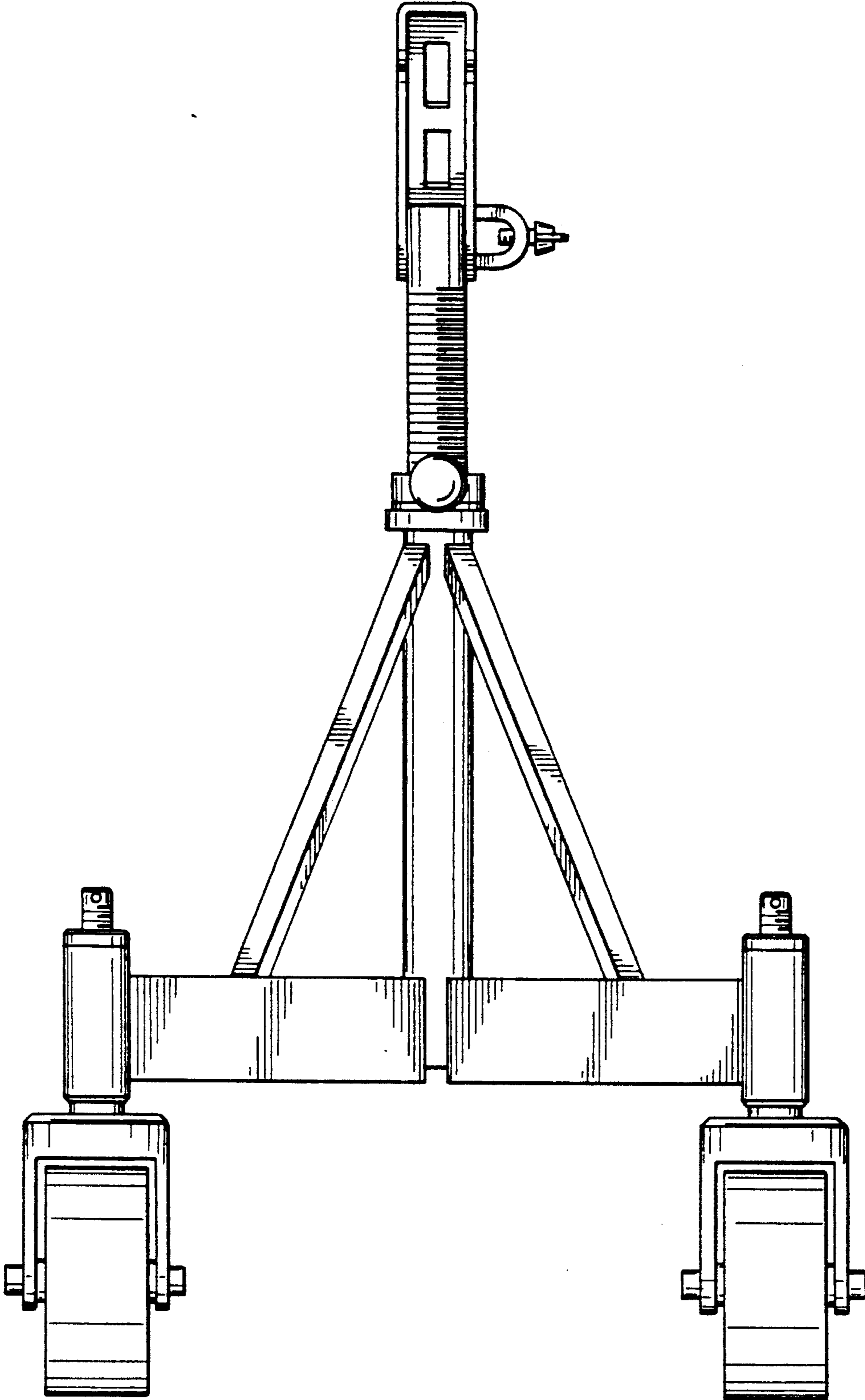


FIG. 2

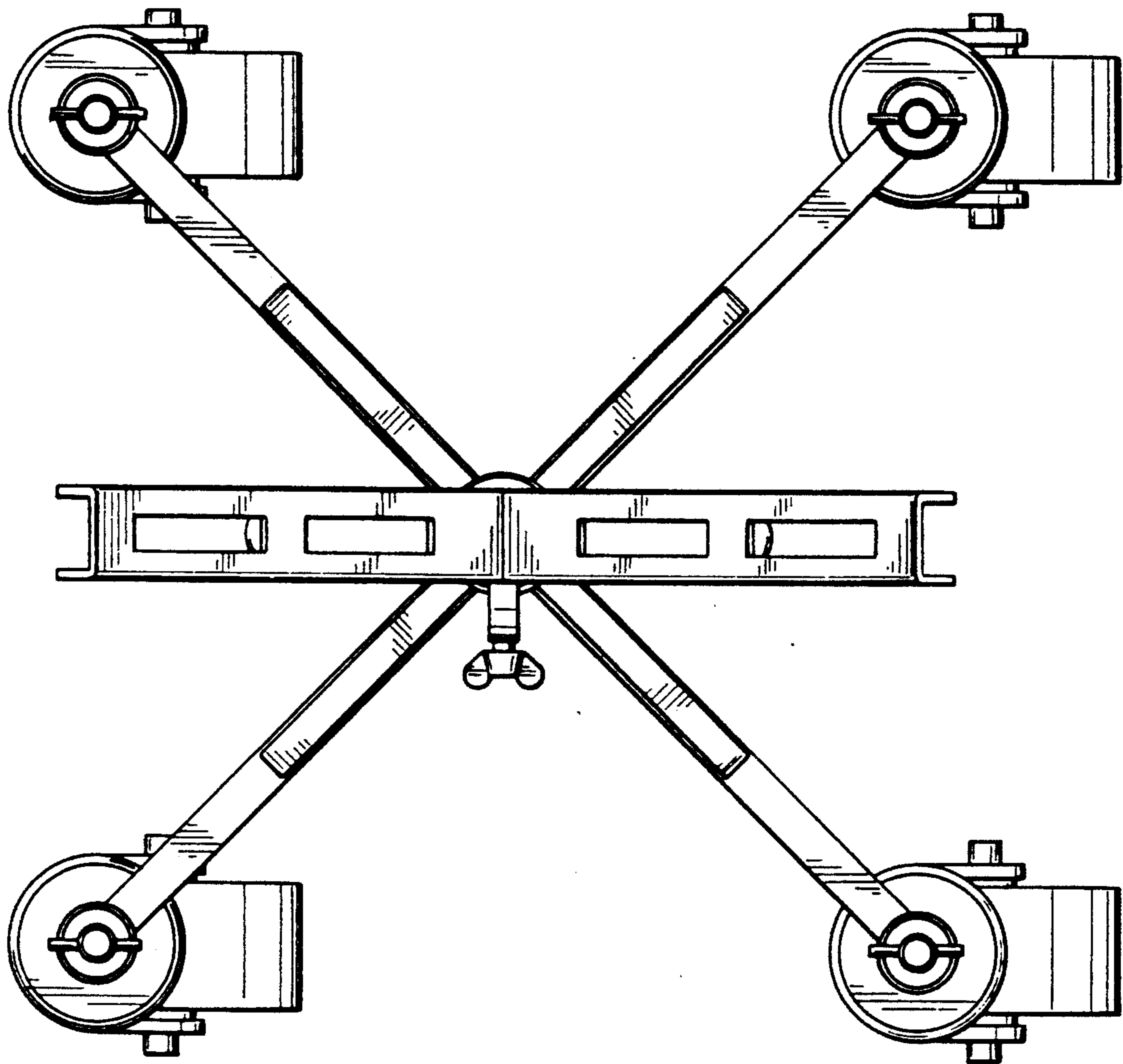


FIG. 3

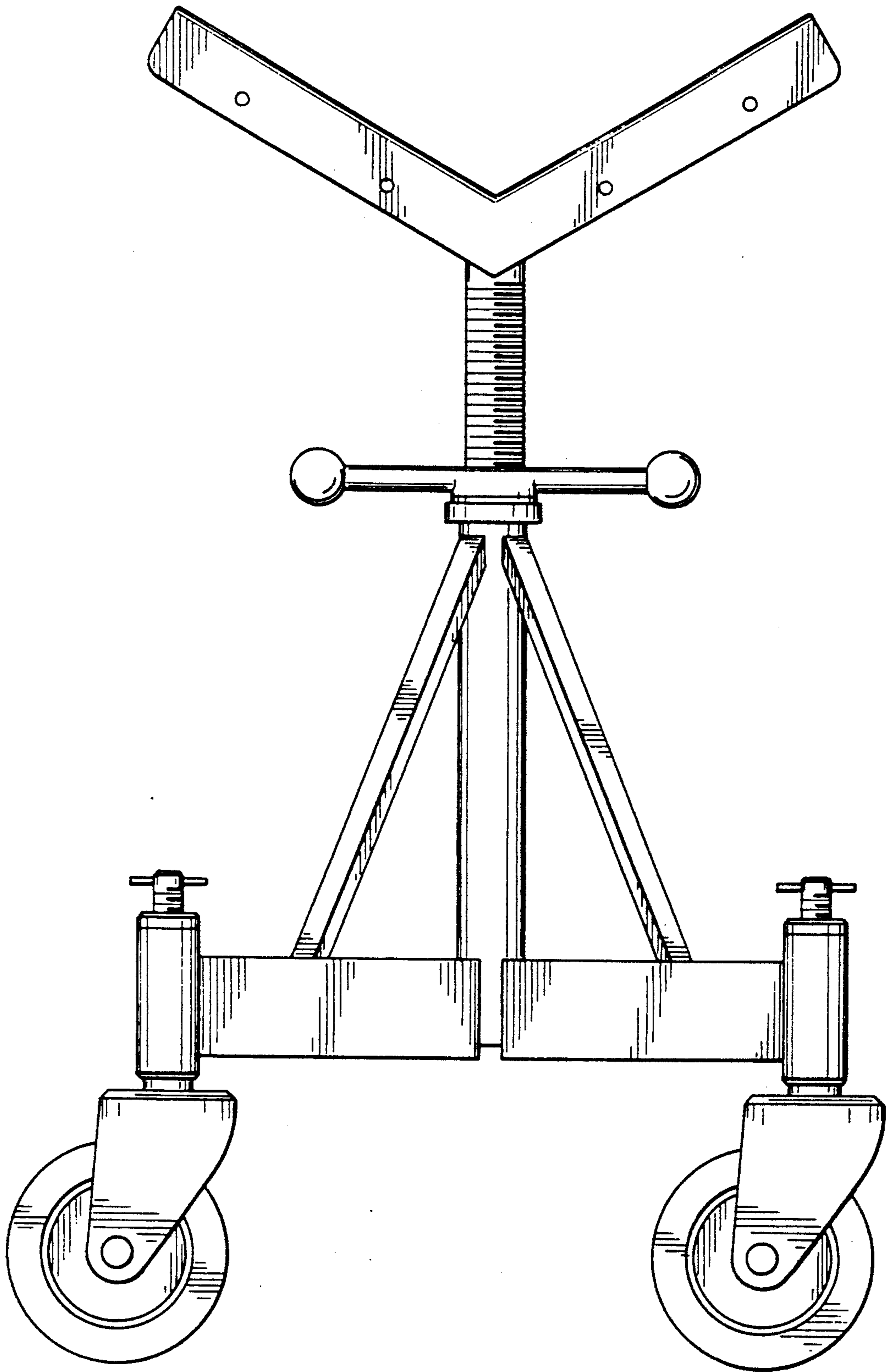


FIG. 4