



US00D348339S

# United States Patent [19] Ghini

[11] Patent Number: **Des. 348,339**  
[45] Date of Patent: **\*\* Jun. 28, 1994**

[54] **BENT PLATE-GLASS TROLLEY**  
[75] Inventor: **Massimo I. Ghini, Bologna, Italy**  
[73] Assignee: **Fiam Italia S.p.A., Pesaro, Italy**  
[\*\*] Term: **14 Years**  
[21] Appl. No.: **731,923**  
[22] Filed: **Jul. 18, 1991**

D. 297,677 9/1988 Conn ..... D34/21

[30] **Foreign Application Priority Data**  
Jan. 18, 1991 [IT] Italy ..... MI910 00029  
[52] U.S. Cl. .... **D34/21; D34/17;**  
**D6/477**  
[58] Field of Search ..... **D6/477; D34/12, 17,**  
**D34/20, 21, 22**

### OTHER PUBLICATIONS

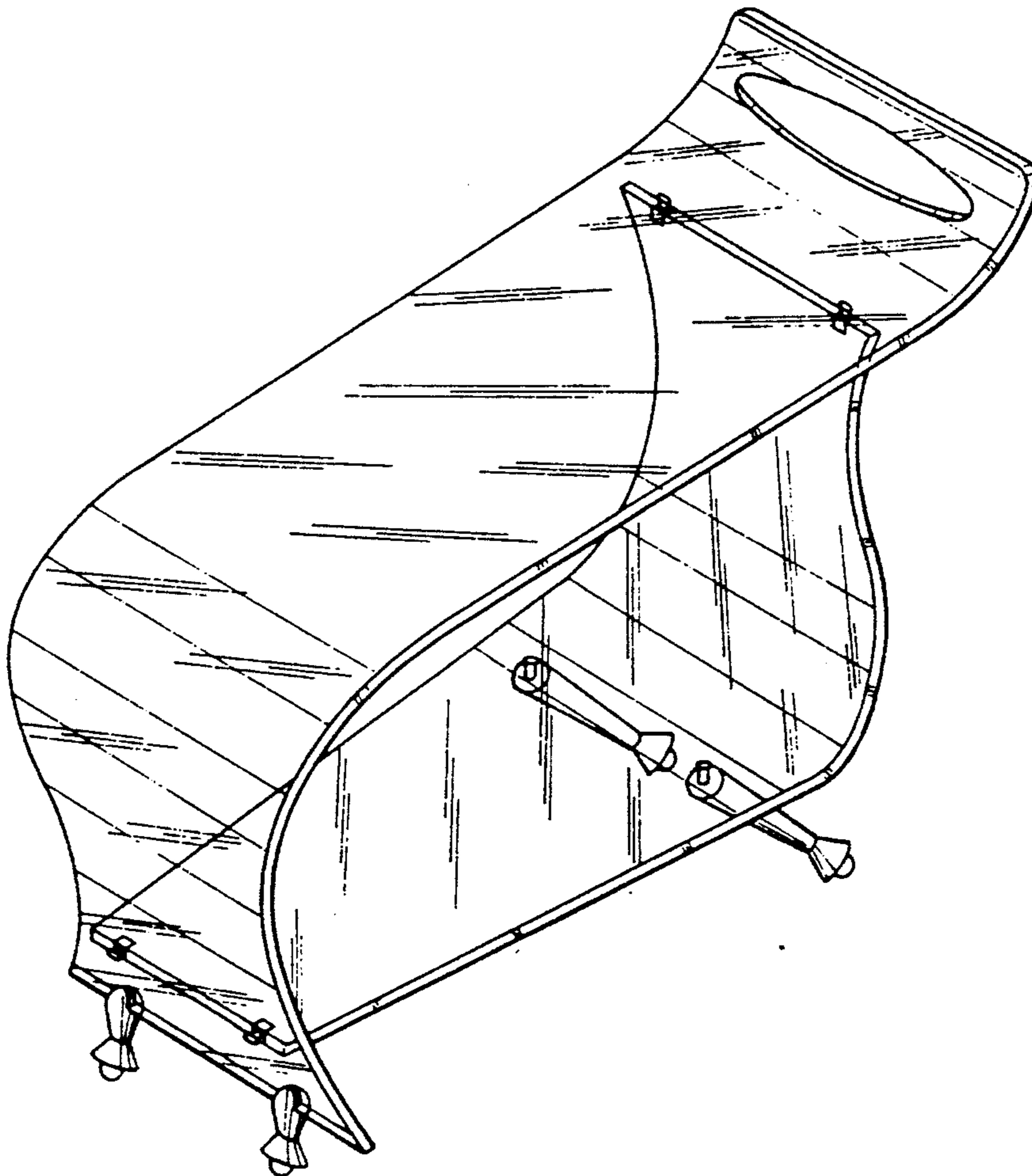
Abitare 244, Maggio 1986, "Fontana Arte".  
*Primary Examiner*—Kay H. Chin  
*Attorney, Agent, or Firm*—Birch, Stewart, Kolasch & Birch

[56] **References Cited**  
**U.S. PATENT DOCUMENTS**  
D. 142,211 8/1945 Glukes ..... D6/477

[57] **CLAIM**  
The ornamental design for a bent plate-glass trolley, as shown and described.

### DESCRIPTION

FIG. 1 is a perspective view of a bent plate-glass trolley showing my new design;  
FIG. 2 is a top plan view thereof;  
FIG. 3 is a bottom view thereof;  
FIG. 4 is a front view thereof;  
FIG. 5 is a rear view thereof; and,  
FIG. 6 is a left and right side view thereof.



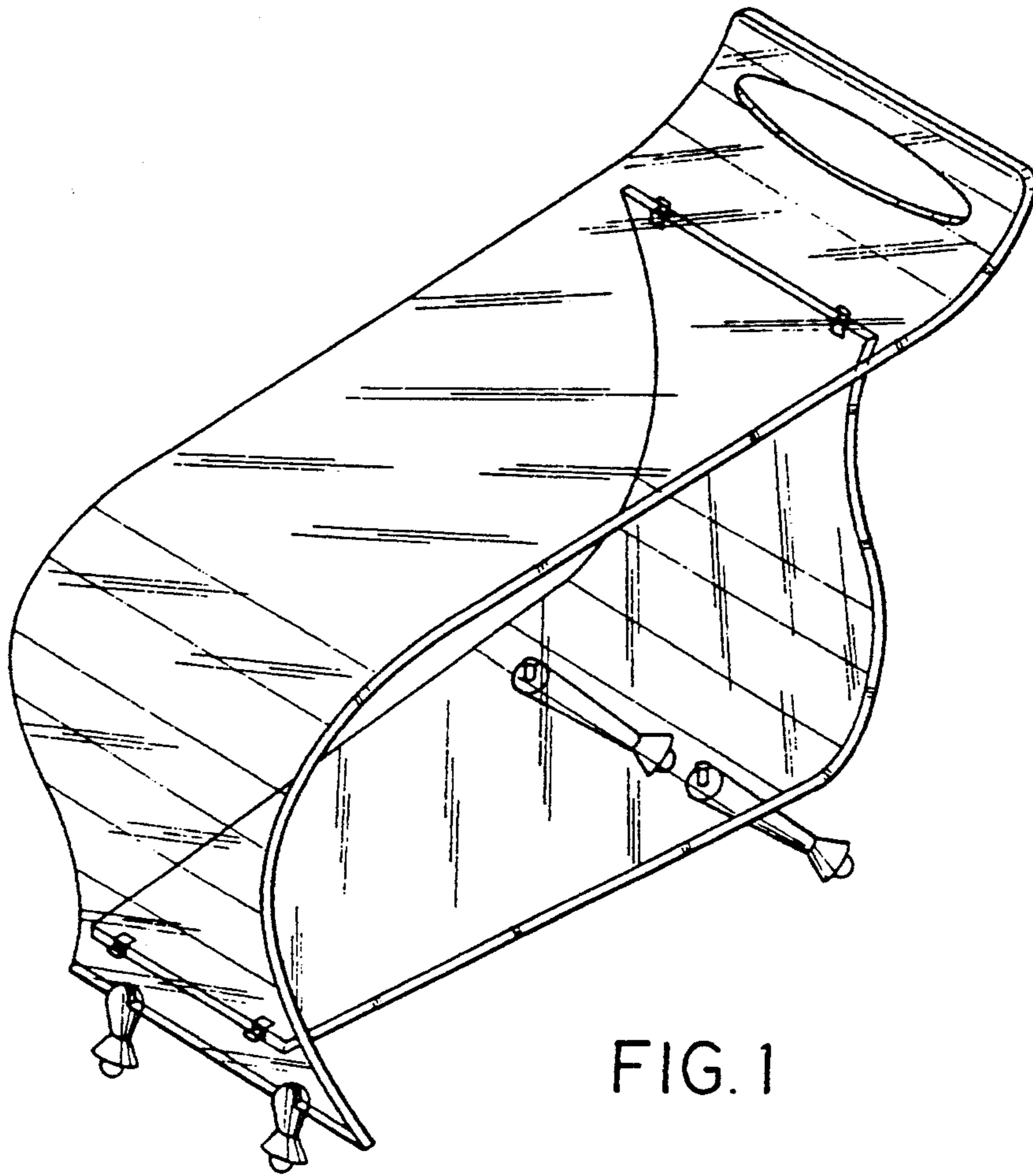


FIG. 1

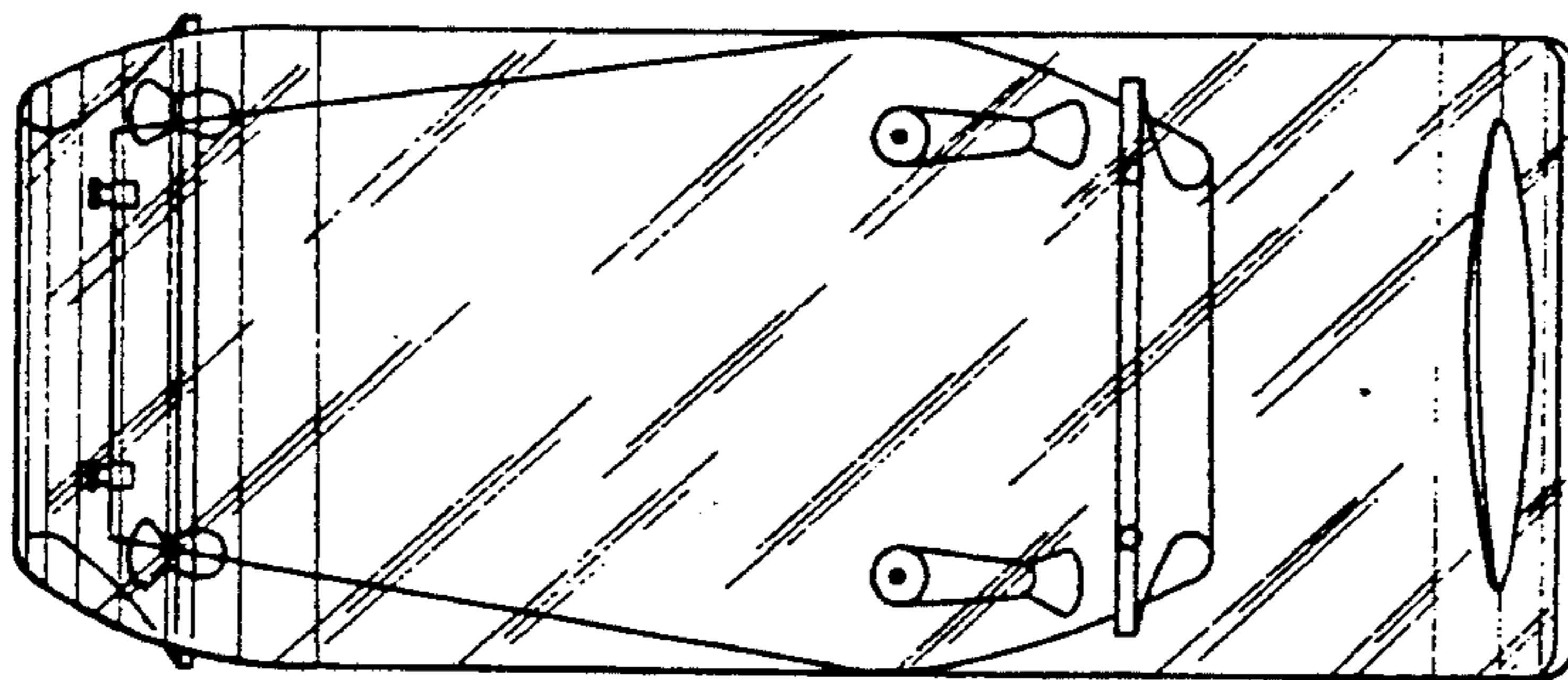


FIG. 2

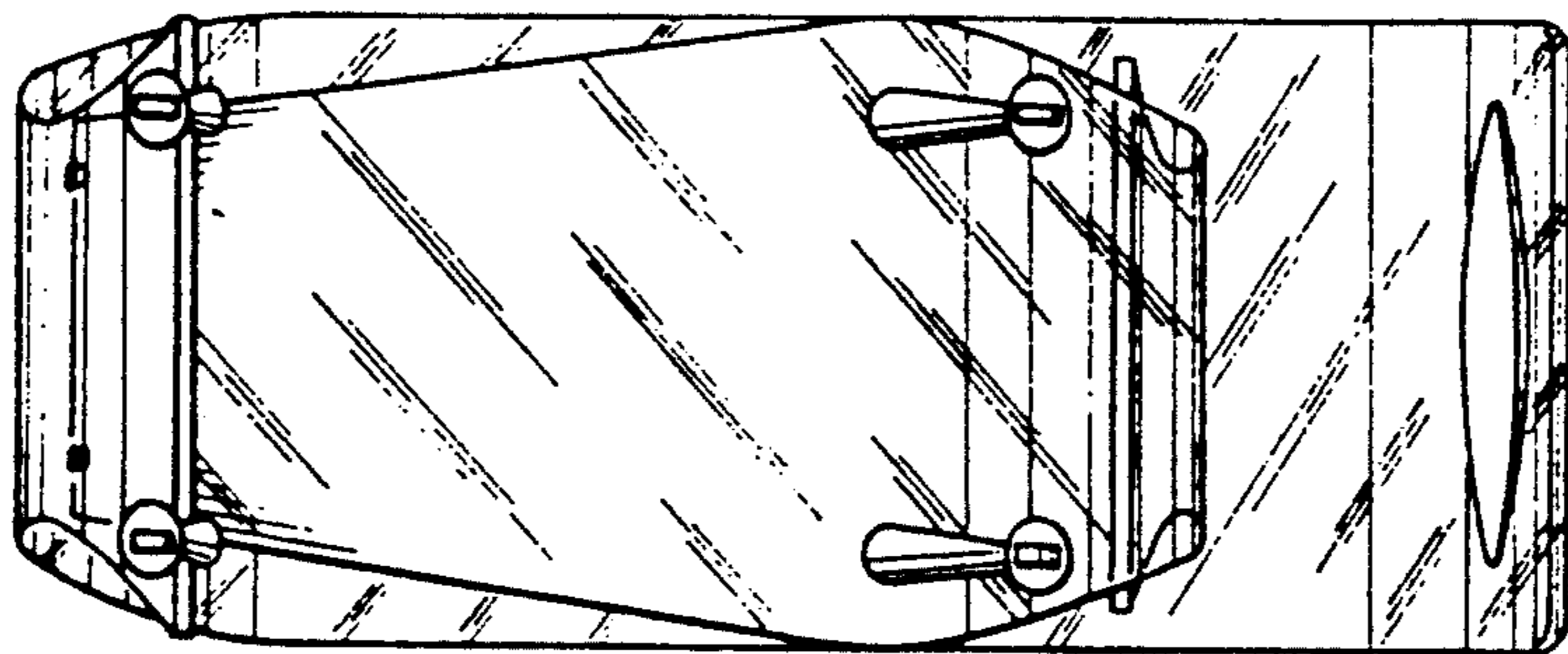


FIG. 3

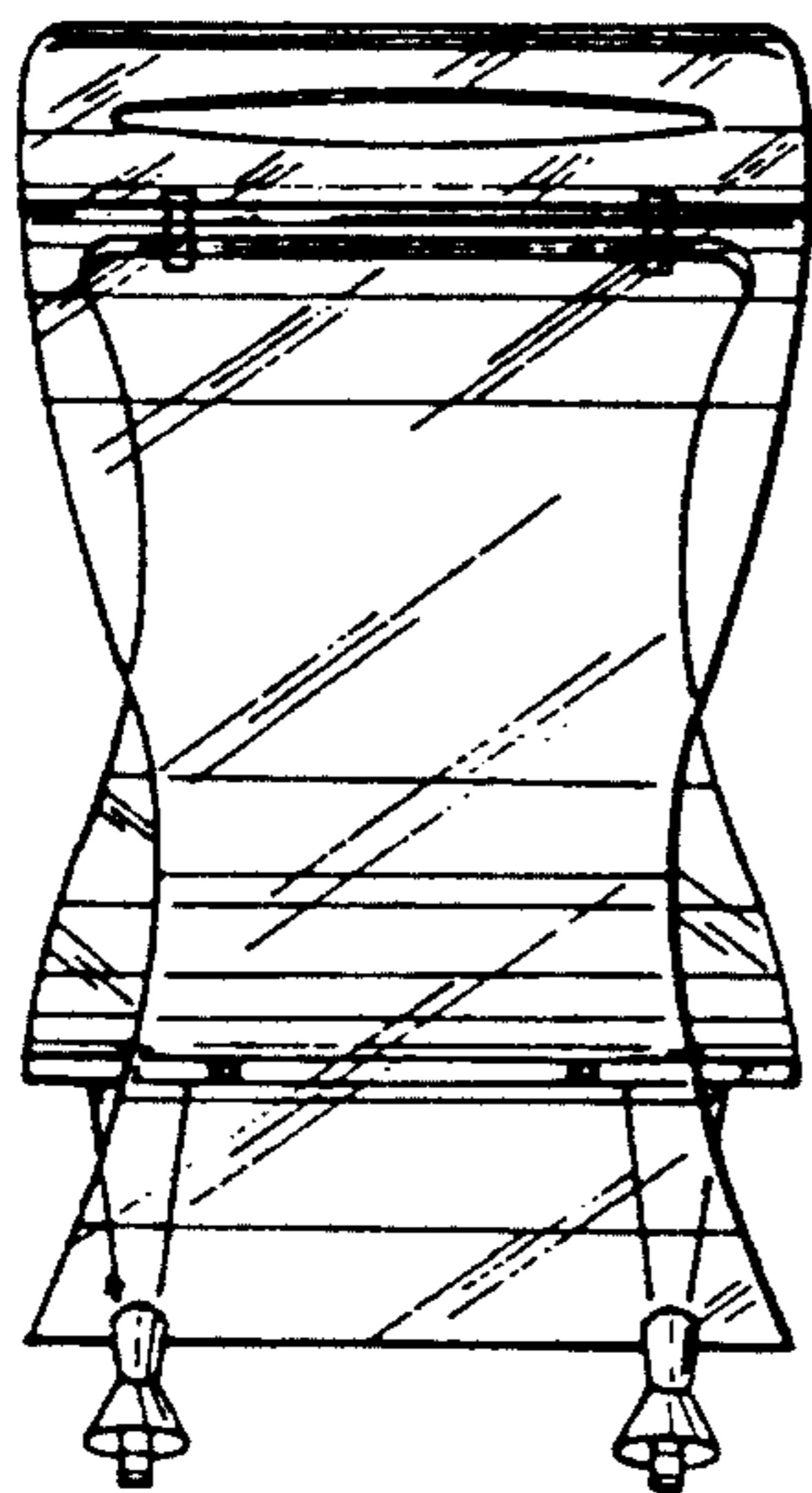


FIG. 4

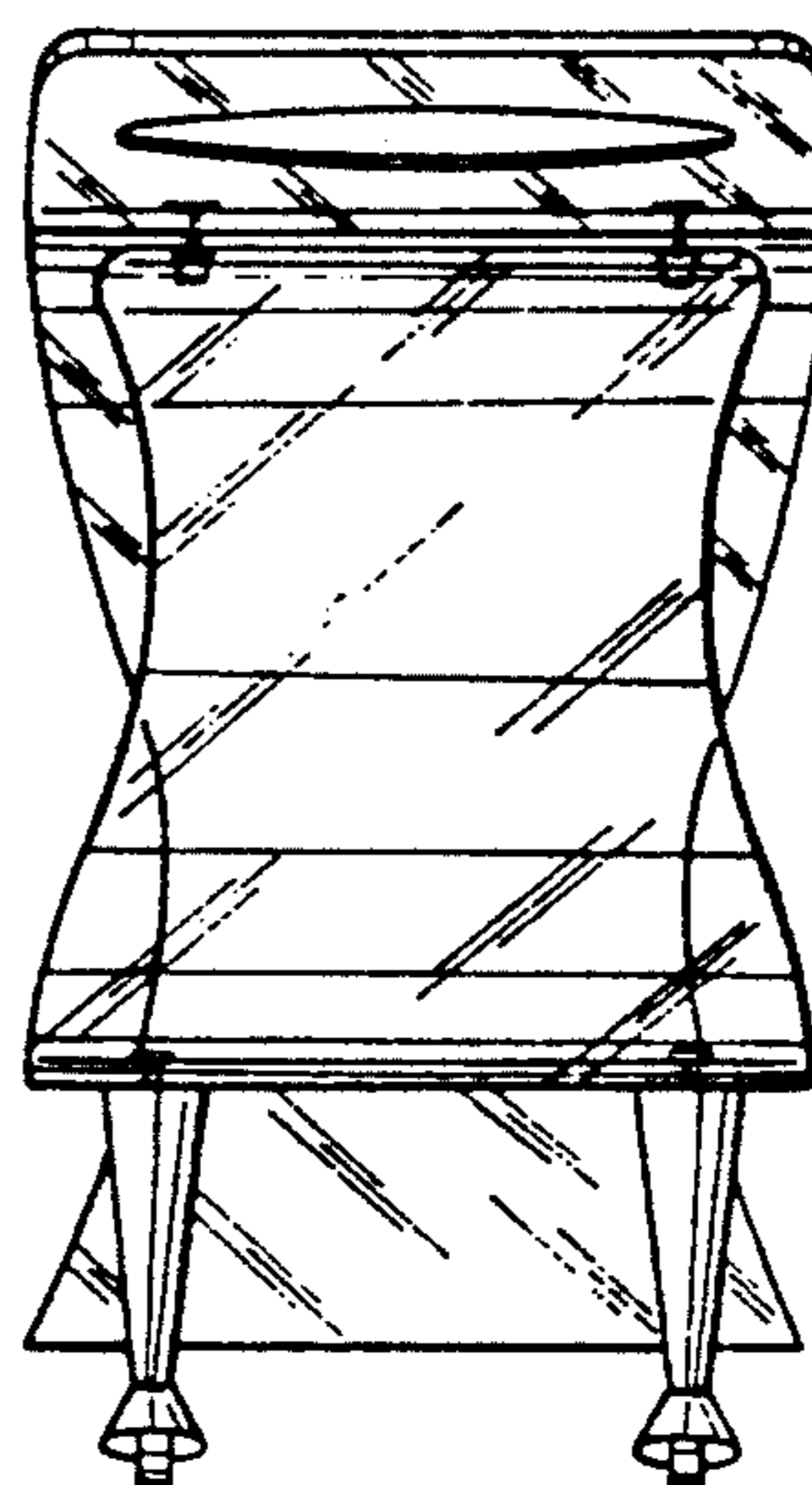


FIG. 5

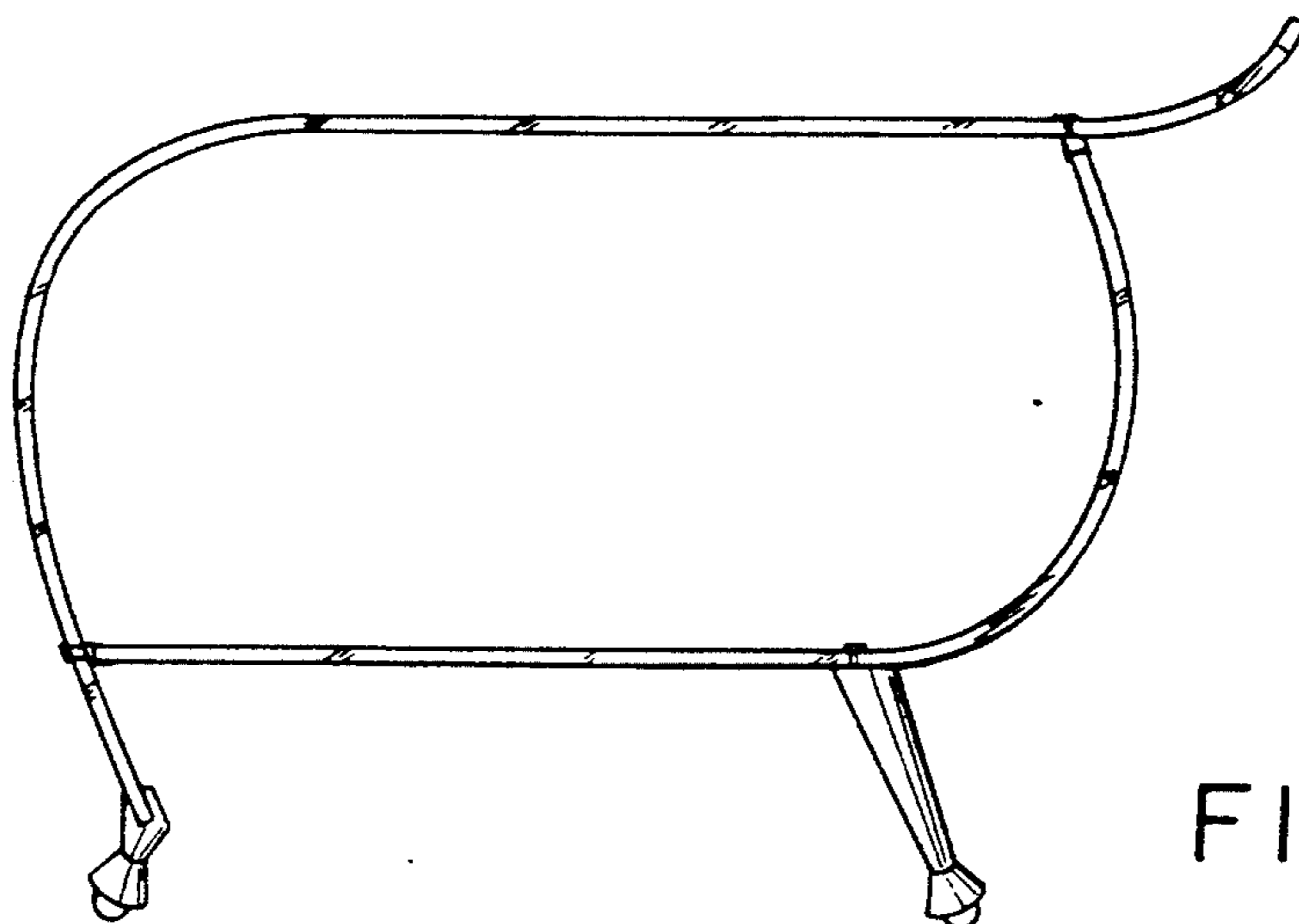


FIG. 6