



US00D348338S

United States Patent [19]

[11] Patent Number: **Des. 348,338**

Stützer

[45] Date of Patent: **** Jun. 28, 1994**

[54] IRONING STATION

[75] Inventor: **Franz A. Stützer**, Offenbach am Main, Fed. Rep. of Germany

[73] Assignee: **Rowenta-Werke GmbH**, Offenbach am Main, Fed. Rep. of Germany

[**] Term: **14 Years**

[21] Appl. No.: **954,850**

[22] Filed: **Sep. 30, 1992**

[30] Foreign Application Priority Data

Apr. 3, 1992 [DE] Fed. Rep. of Germany M-92-02-636.2

[52] U.S. Cl. **D32/66**

[58] Field of Search 38/103, 104, 106, 107, 38/138, 139, 142; 182/28, 29, 31; D32/66

[56] References Cited

U.S. PATENT DOCUMENTS

3,138,700 6/1964 Kleinsorge 38/103
3,443,780 5/1969 Bruening 38/103

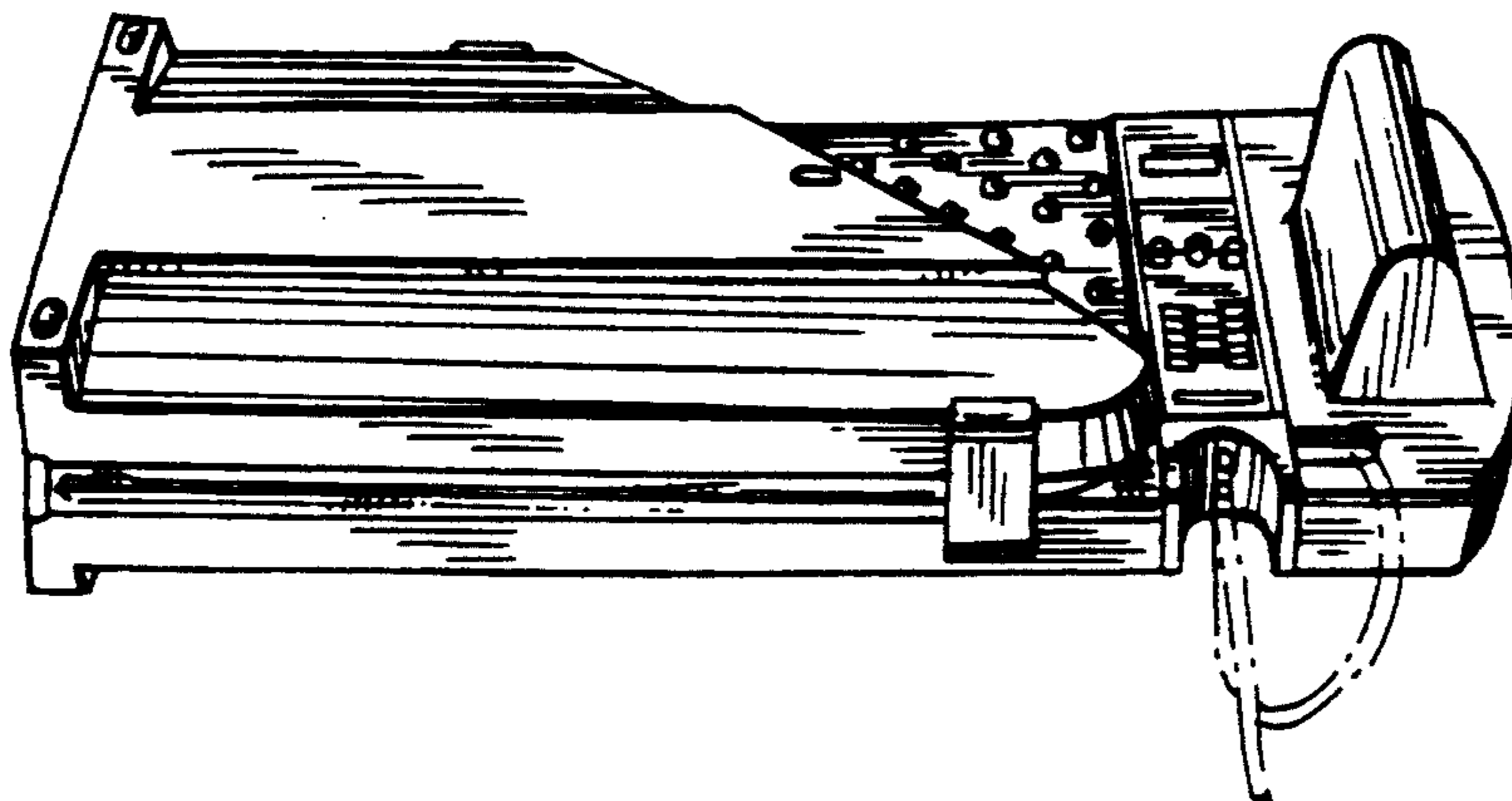
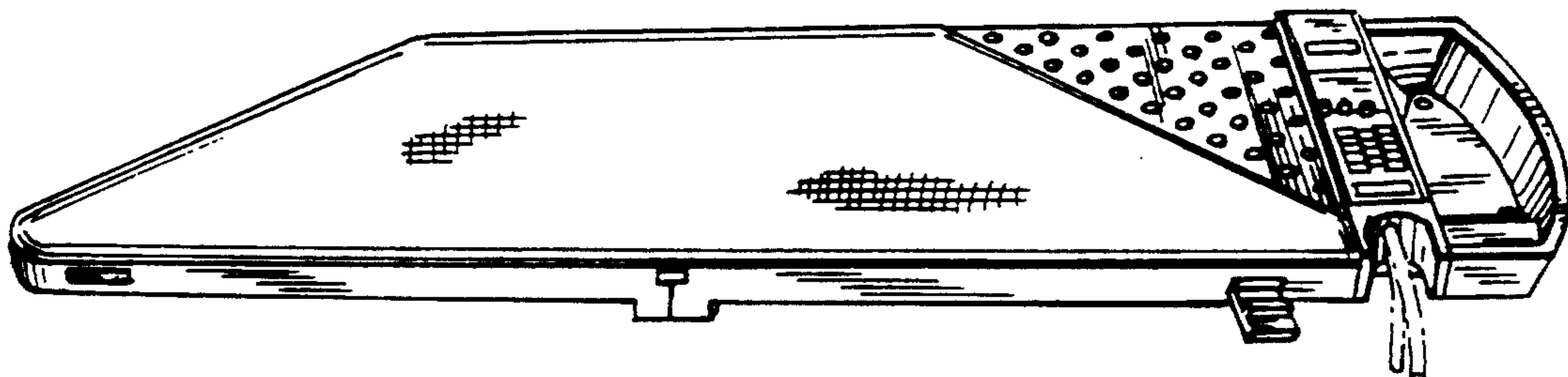
Primary Examiner—Wallace R. Burke
Assistant Examiner—Robin Taylor
Attorney, Agent, or Firm—Anderson, Kill, Olick & Oshinsky

[57] CLAIM

The ornamental design for an ironing station, as shown and described.

DESCRIPTION

FIG. 1 is a perspective view of the ironing station work-place seen from left-to-right in unfolded condition; FIG. 2 shows the station of FIG. 1 seen from right-to-left; FIG. 3 shows the station of FIG. 1 in side view from the left; FIG. 4 shows the station of FIG. 2 in side view from the right; FIG. 5 is a front view pursuant to FIG. 1; FIG. 6 is a rear view pursuant to FIG. 2; FIG. 7 is a plan view of the ironing station; FIG. 8 is a bottom view thereof; FIG. 9 shows the station of FIG. 1 wherein the iron depositing platform is closed by a lid; FIG. 10 shows the ironing station of FIG. 9 with the platform lid (6) removed; and, FIG. 11 shows the ironing station with the work surface (1) in a folded-closed condition, the two portions of the working surface being held together by a latch (8). The broken line showing of an iron and fragmentary cord is for illustrative purposes only and forms no part of the claimed design. The cross lines shown on the top of the station represent conventional fabric and are understood to repeat uniformly across the top surface thereof.



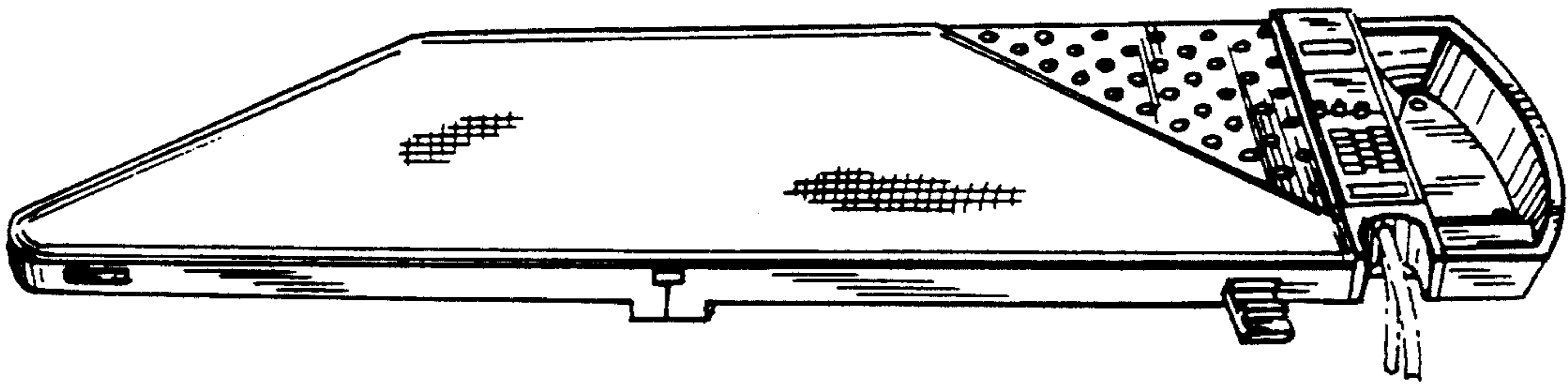


FIG. 1

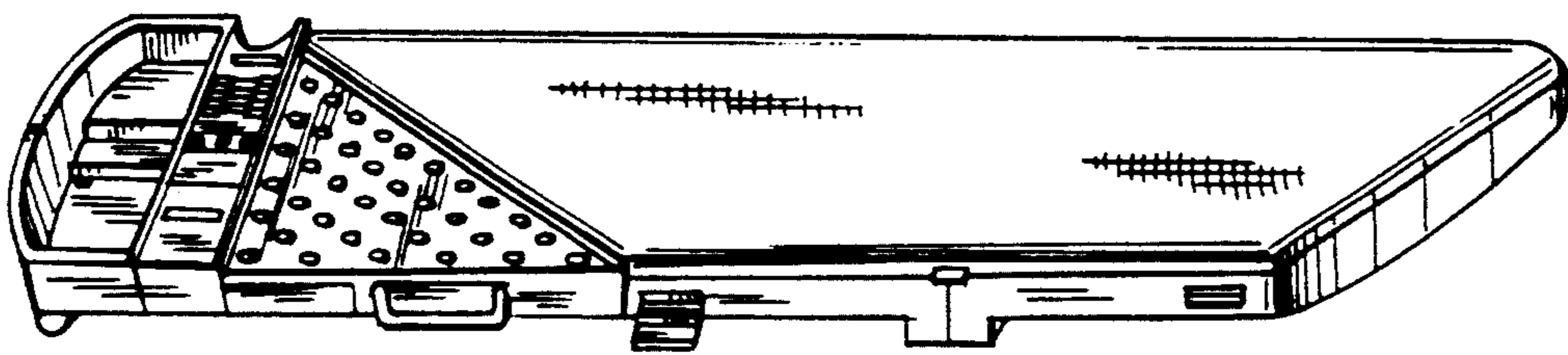


FIG. 2

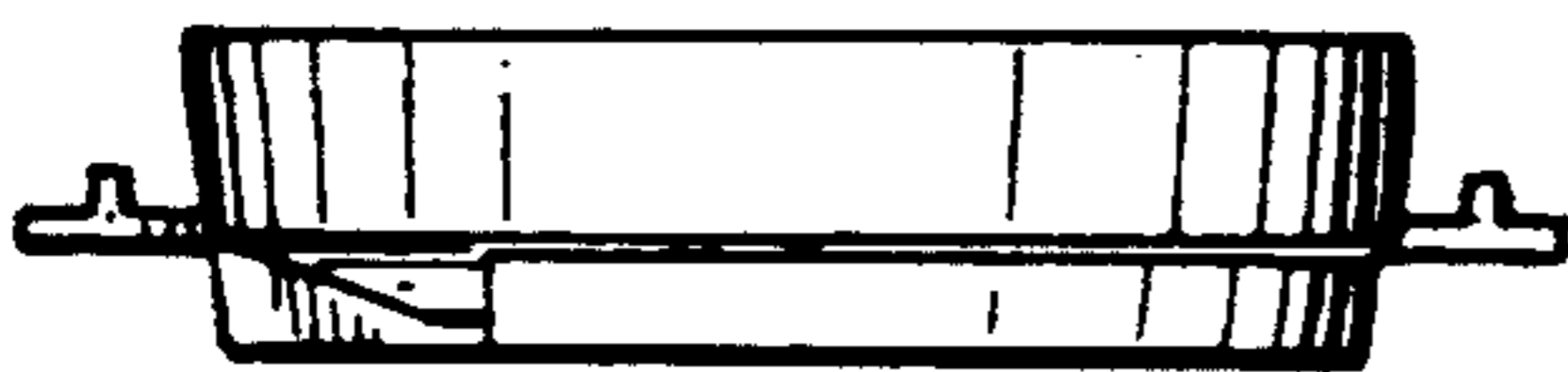


FIG. 3



FIG. 4

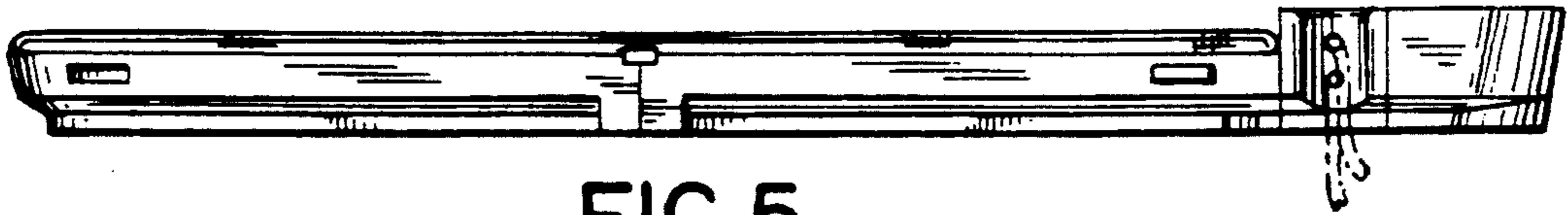


FIG. 5

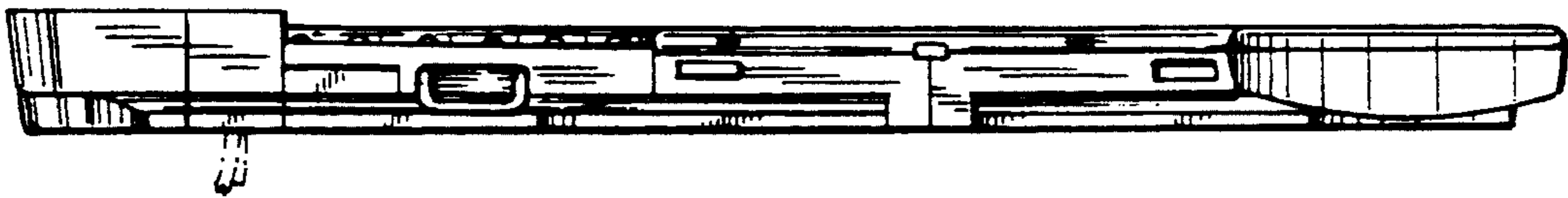


FIG. 6

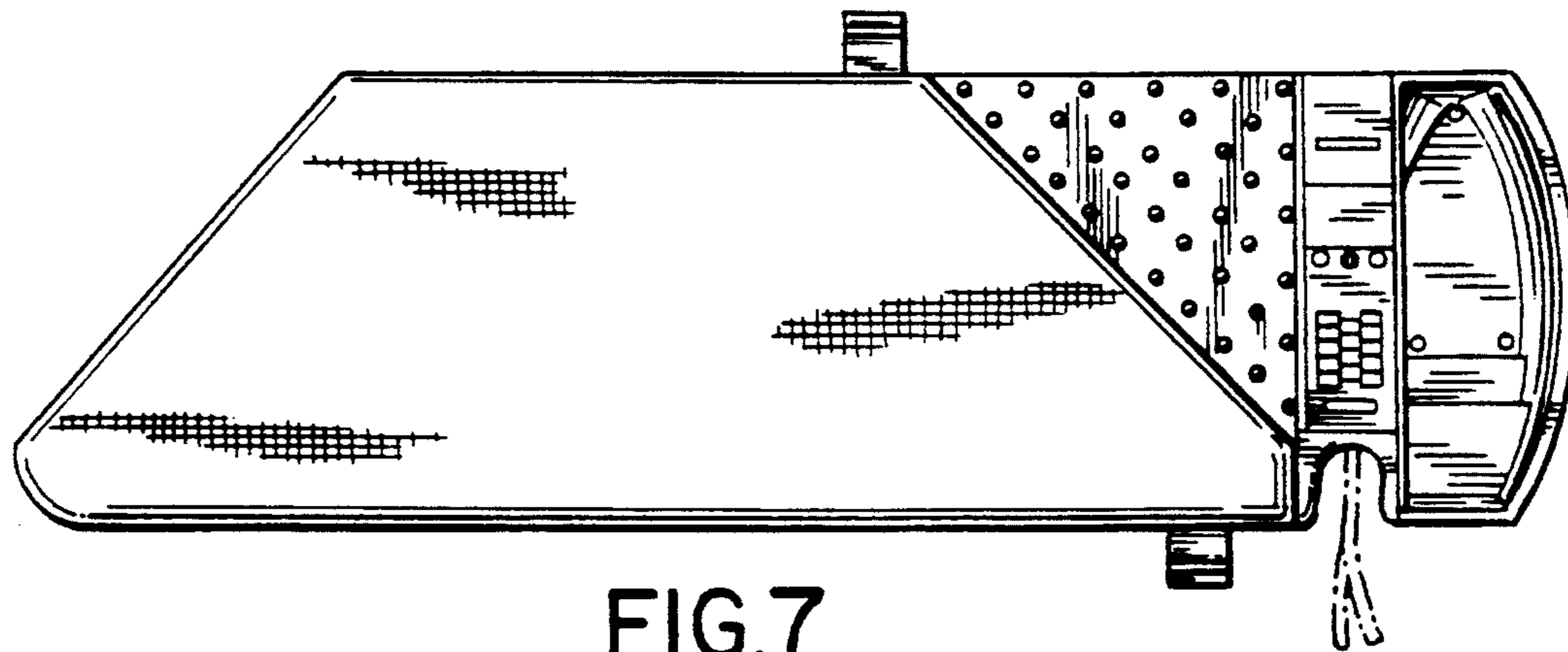


FIG. 7

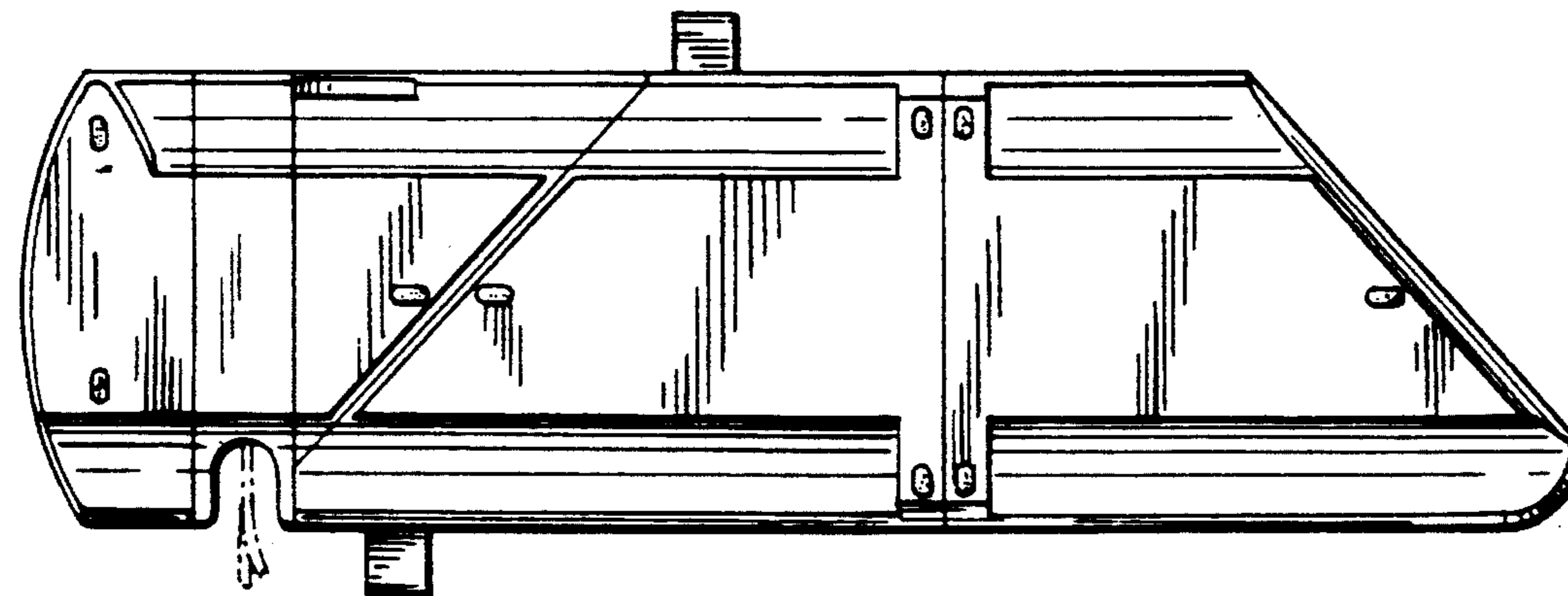


FIG. 8

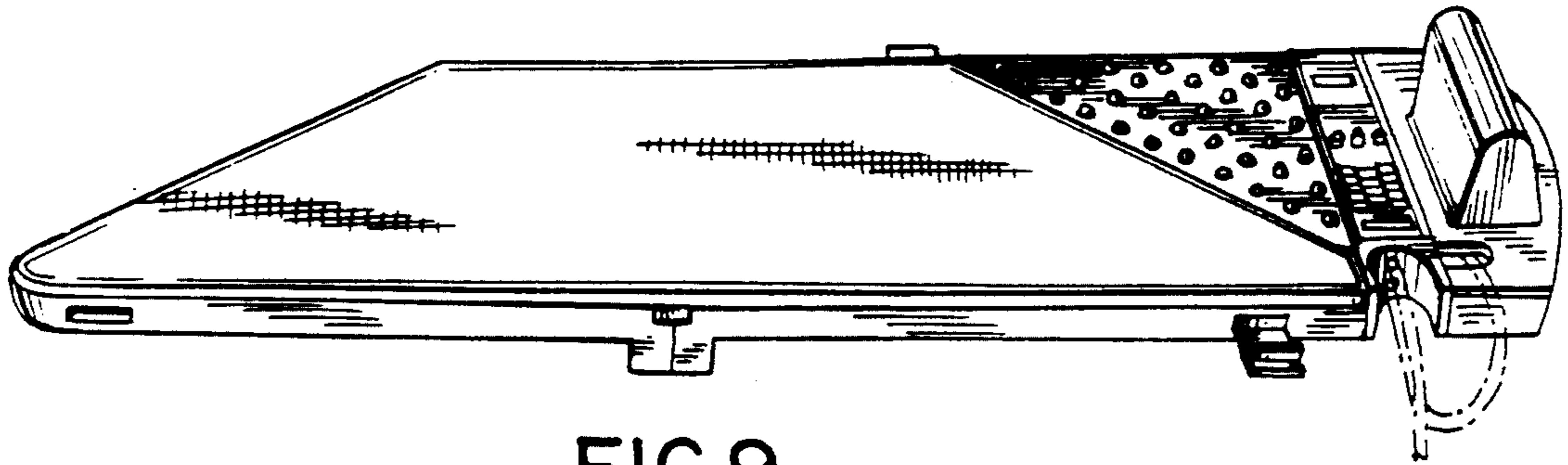


FIG. 9

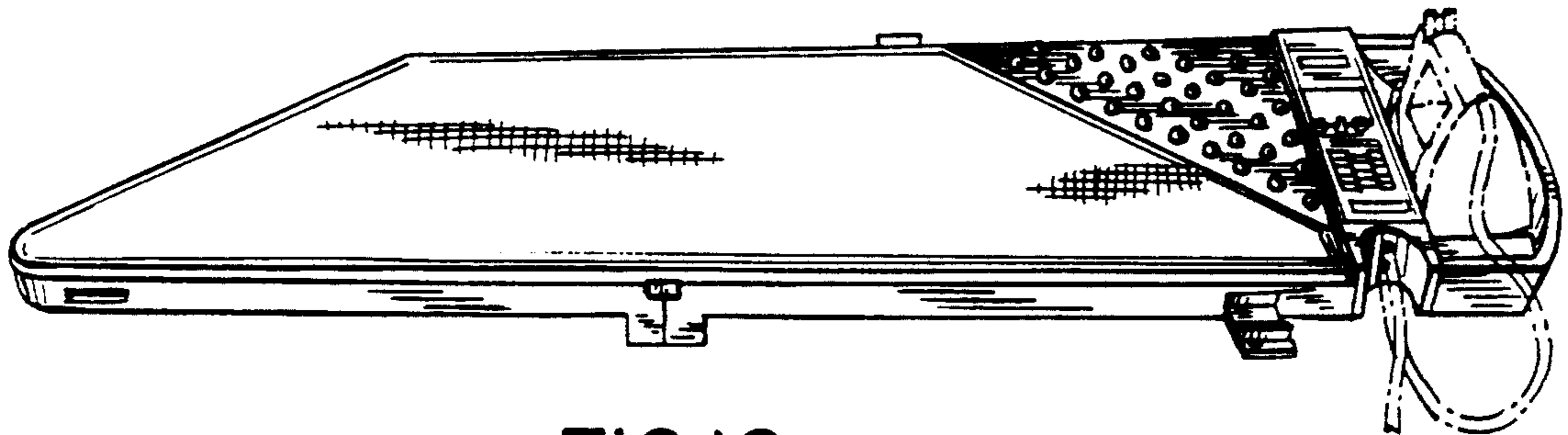


FIG. 10

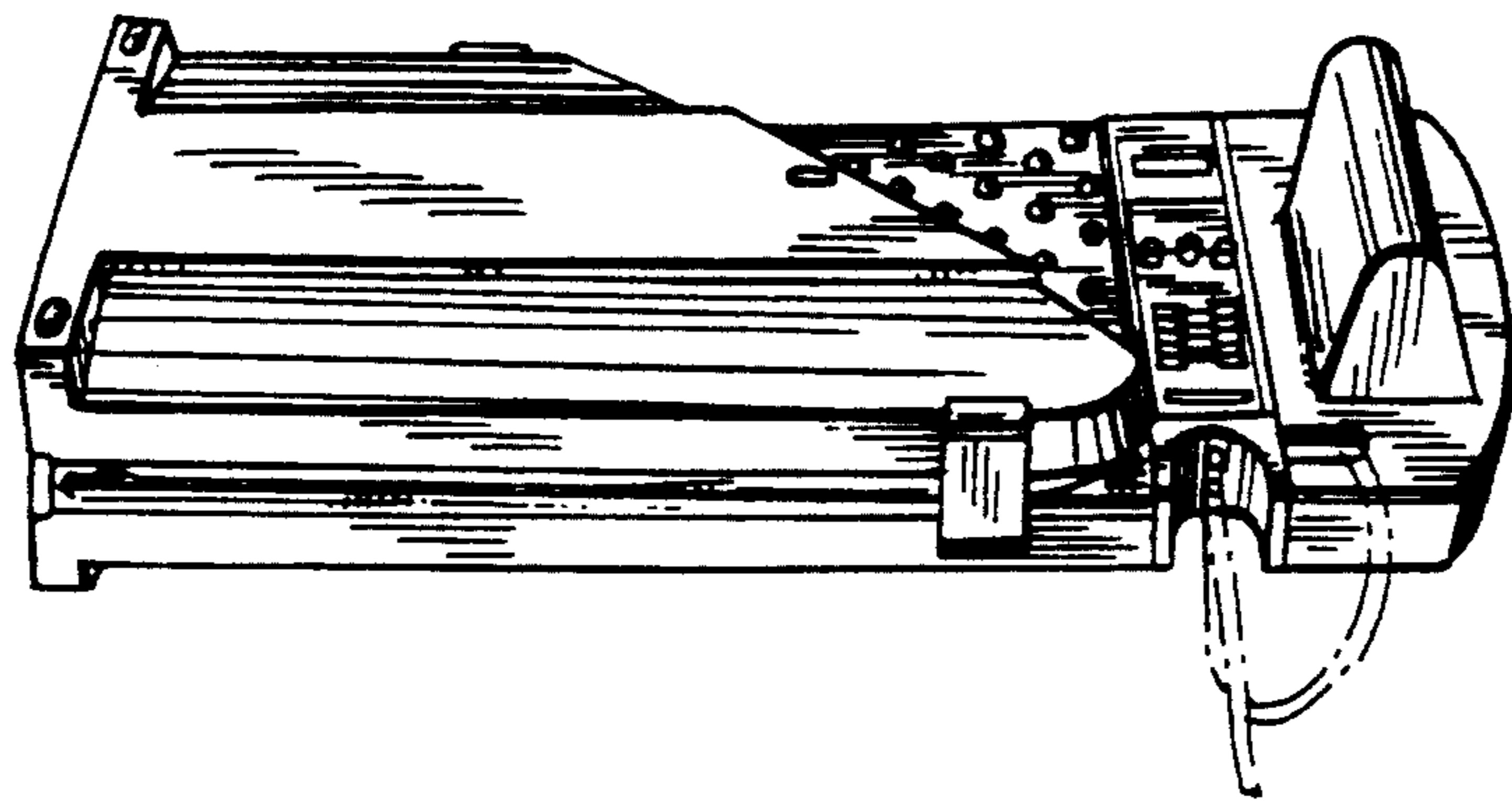


FIG. 11