



US00D348337S

United States Patent [19]
O'Brien, deceased et al.

[11] **Patent Number: Des. 348,337**

[45] **Date of Patent: ** Jun. 28, 1994**

[54] **PAINT BRUSH CLEANING MACHINE**

[75] Inventors: **Lawrence B. O'Brien**, deceased, late of Carmel, Ind., by **Gloria J. O'Brien**, executrix; **Walter E. Winston**, Carmel, Ind.

[73] Assignee: **Venture Management Sciences Inc.**, Carmel, Ind.

[**] Term: **14 Years**

[21] Appl. No.: **736,825**

[22] Filed: **Jul. 29, 1991**

[52] U.S. Cl. **D32/1; D32/53**

[58] Field of Search **D4/199; 15/104.92, 257.05, 15/264; 206/15.2, 15.3, 361-362; 220/408, 675, 696-697; D32/35, 1, 53, 53.1**

[56] **References Cited**

U.S. PATENT DOCUMENTS

2,239,741	4/1941	Schroder	134/162 X
2,646,808	7/1953	Yenne	220/702 X
2,744,635	5/1956	Hiss	248/113 X
2,945,251	7/1960	Eichner	15/104.92
2,965,111	12/1960	Feigelman	134/135
3,085,583	4/1963	Siek	134/162 X
3,666,163	5/1972	Ignell	220/408 X

5,107,877 4/1992 Chipman 134/140

Primary Examiner—Wallace R. Burke
Assistant Examiner—Lavone D. Tabor
Attorney, Agent, or Firm—Woodard, Emhardt, Naughton, Moriarty & McNett

[57] **CLAIM**

The ornamental design for a paint brush cleaning machine, as shown and described.

DESCRIPTION

FIG. 1 is a front elevational view of a paint brush cleaning machine, showing a typical embodiment of my new design;

FIG. 2 is a left-hand side view;

FIG. 3 is a rear elevational view;

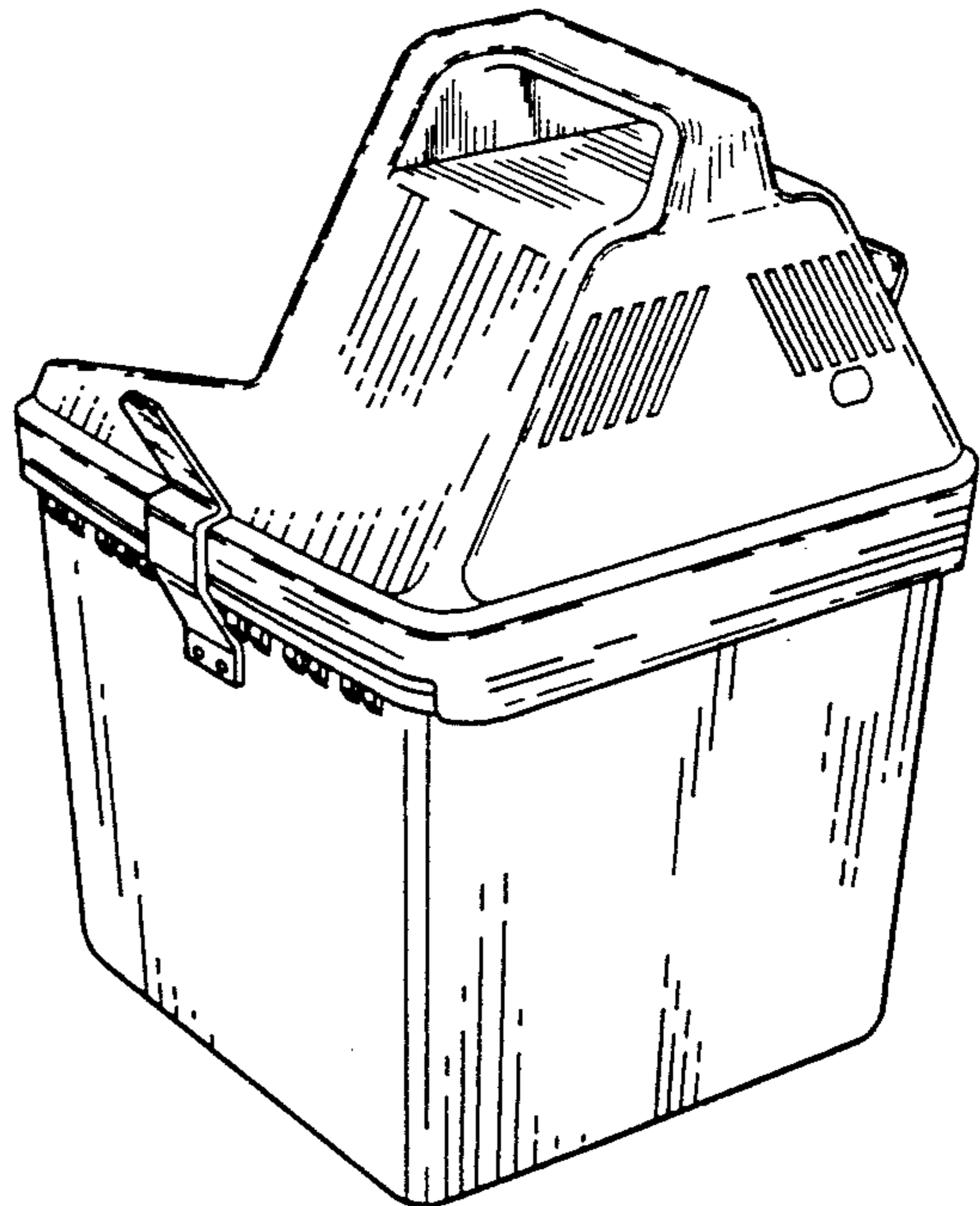
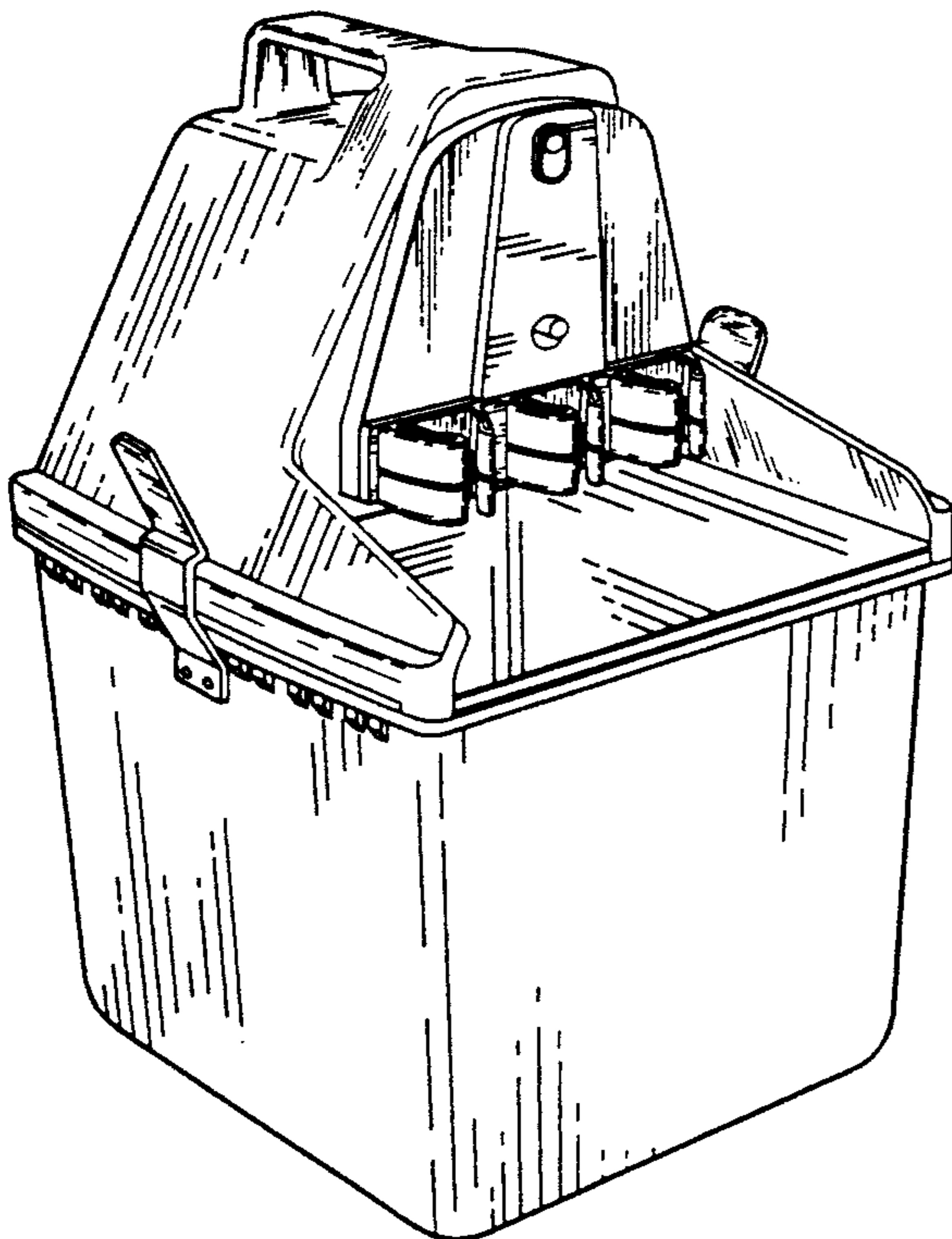
FIG. 4 is a top plan view;

FIG. 5 is an enlarged perspective view as seen from the top and front; and,

FIG. 6 is an enlarged perspective view as seen from the top and rear.

The appearance of the right-hand side is a mirror image of the left-hand side.

The bottom is flat and unornamented.



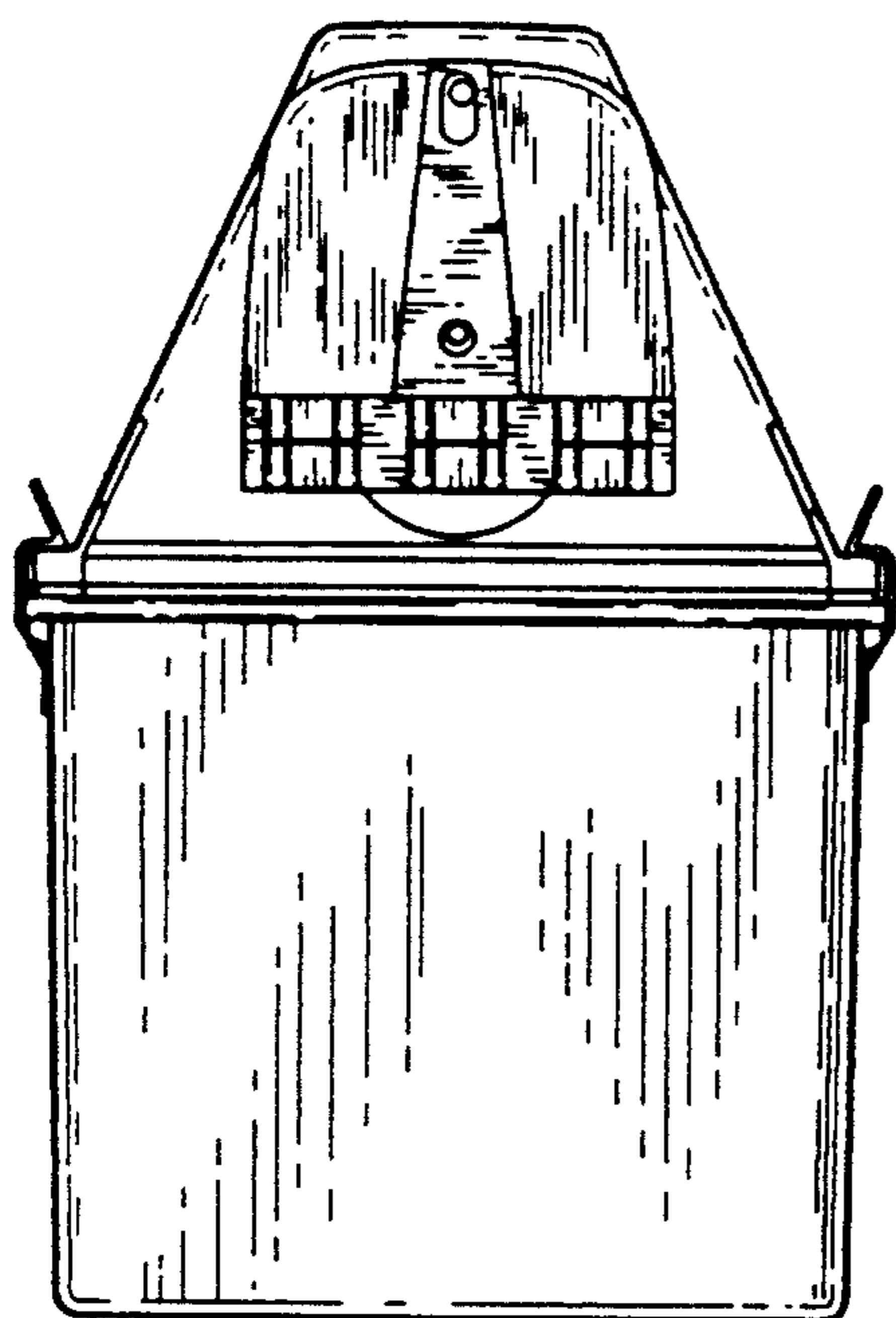


Fig. 1

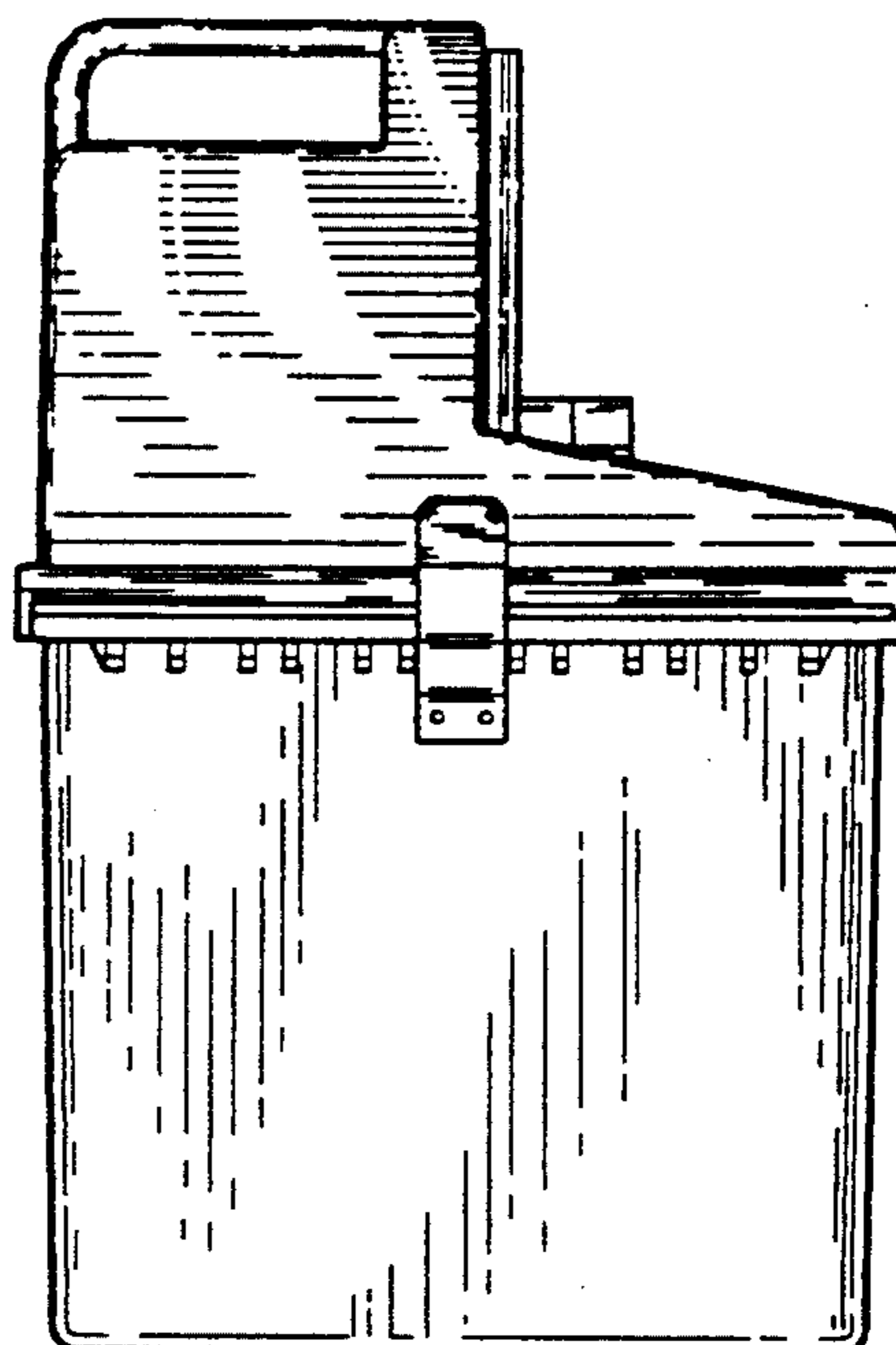


Fig. 2

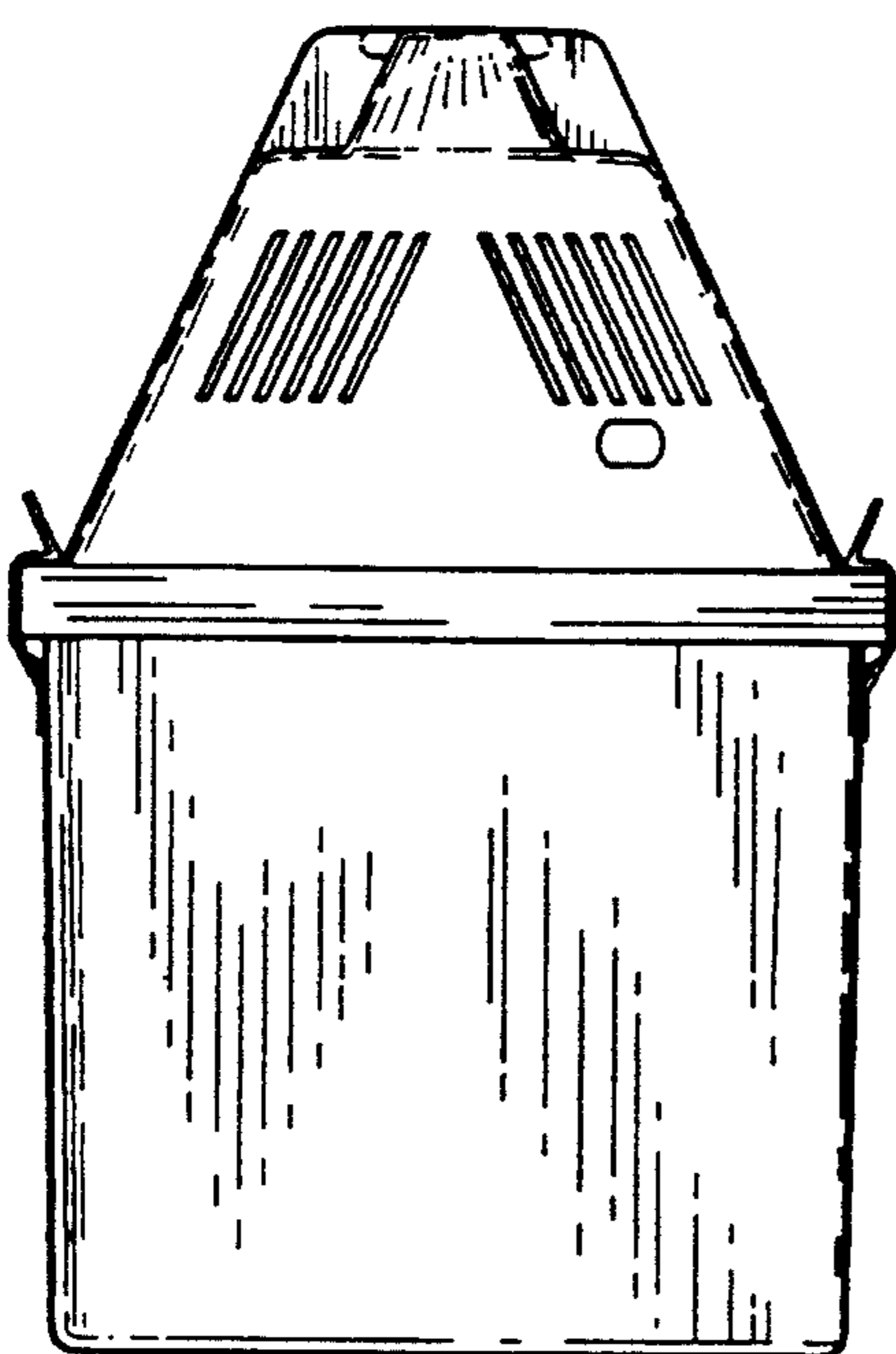


Fig. 3

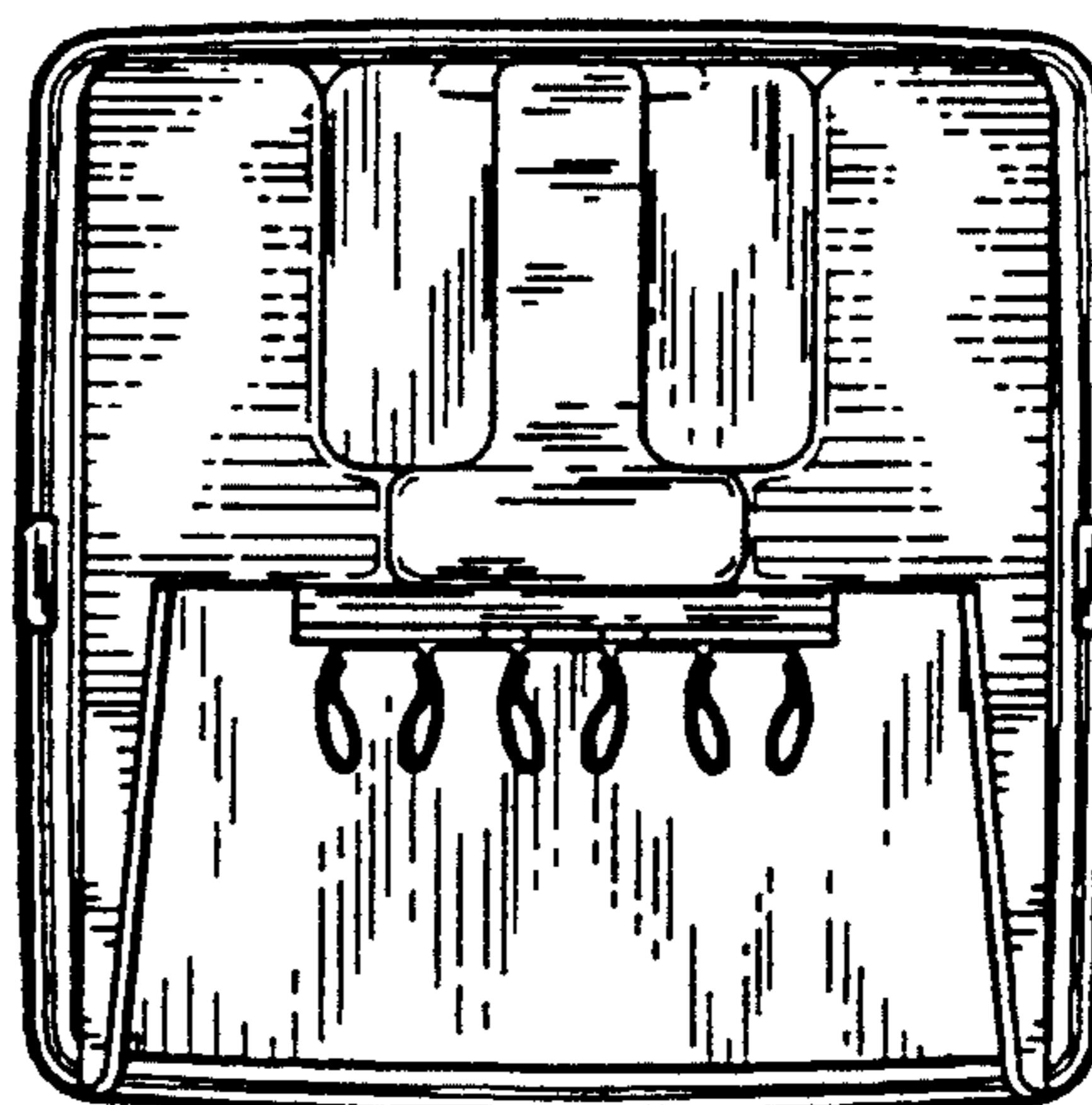


Fig. 4

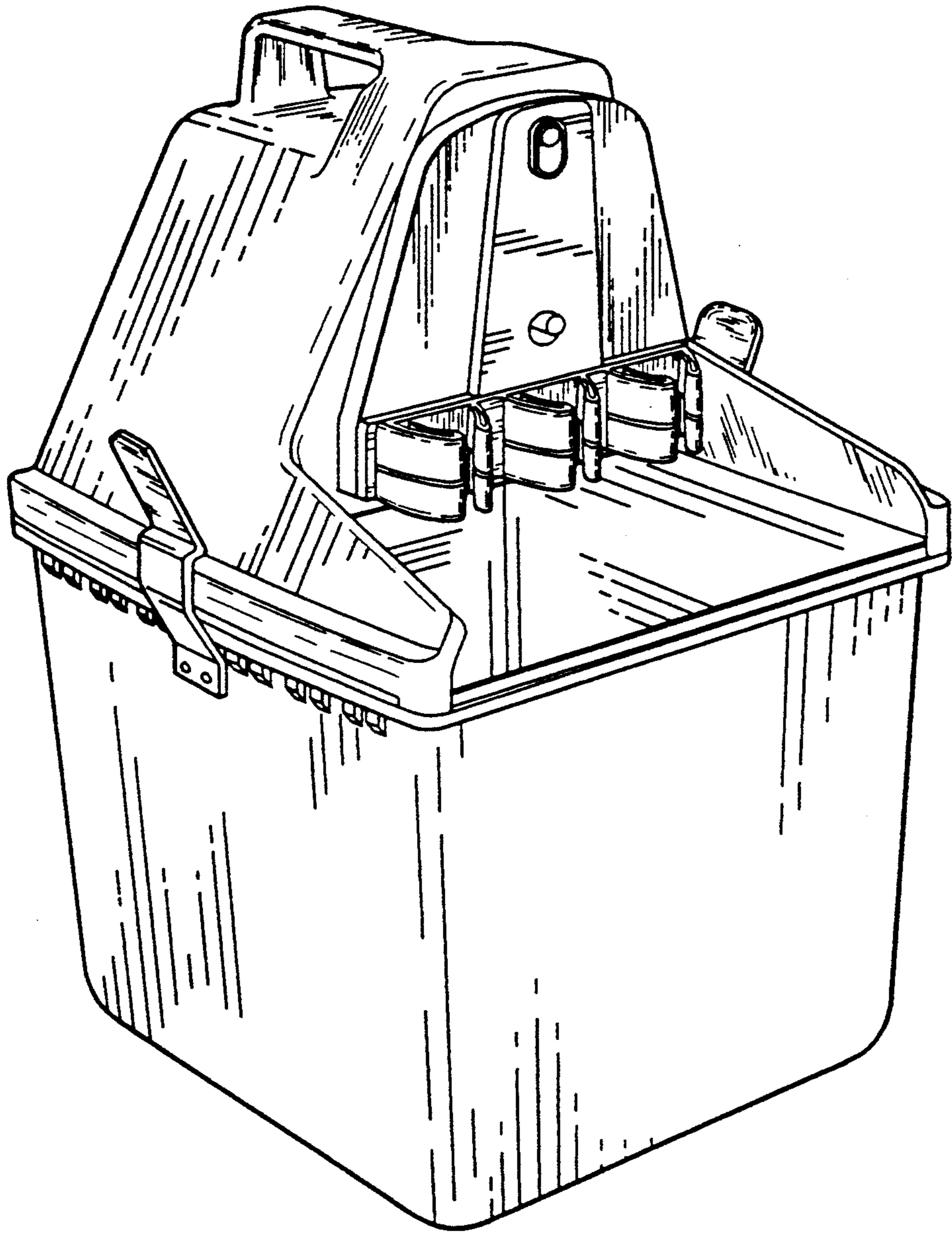


Fig. 5

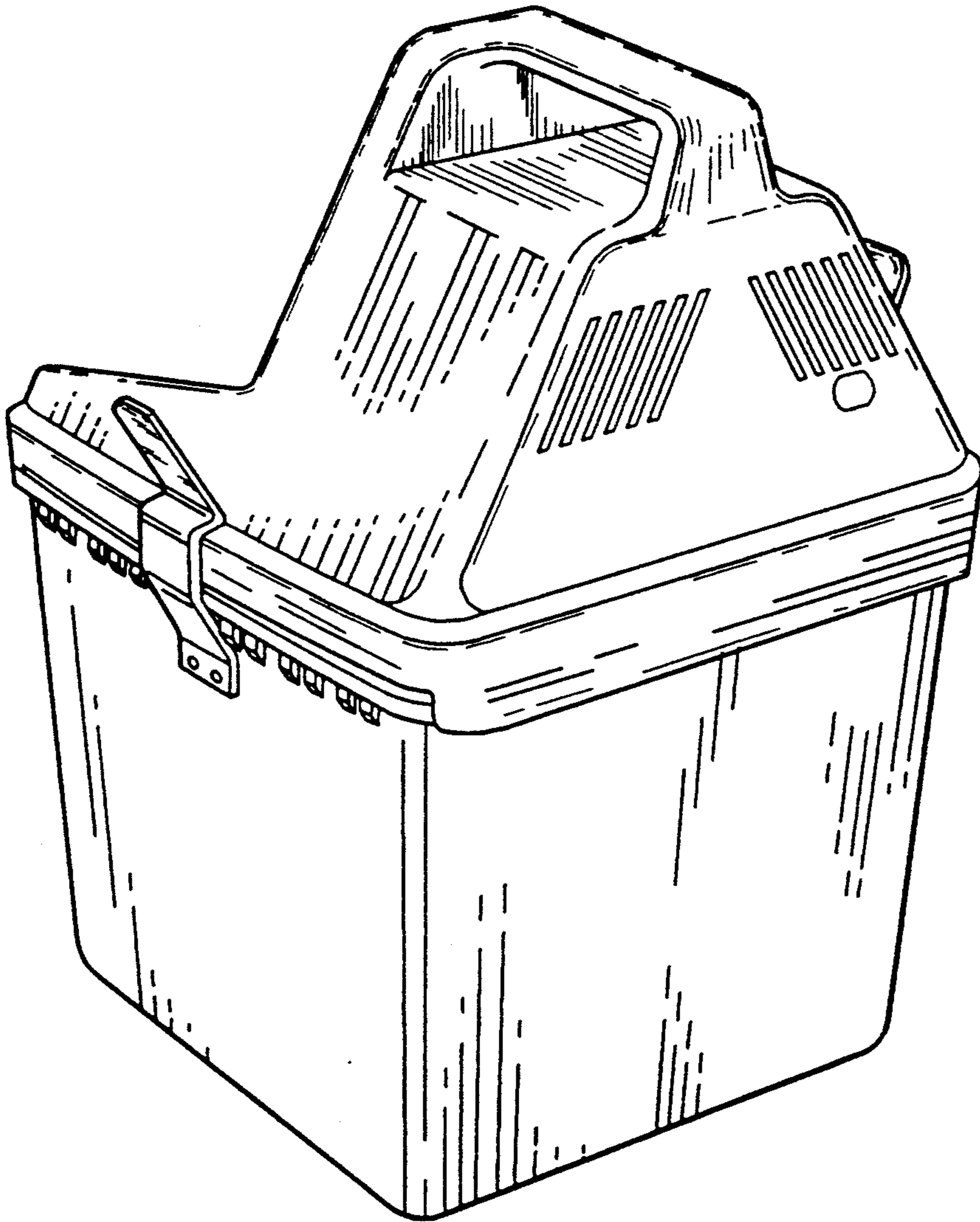


Fig. 6