



US00D348329S

United States Patent [19]

Signorelli

[11] Patent Number: Des. 348,329

[45] Date of Patent: ** Jun. 28, 1994

[54] TOBACCO STORAGE CONTAINER FOR A SMOKING PIPE

[76] Inventor: Michael A. Signorelli, 303 N. 36th Ave. E., Duluth, Minn. 55804

[**] Term: 14 Years

[21] Appl. No.: 7,776

[22] Filed: May 3, 1993

[52] U.S. Cl. D27/194; D29/193

[58] Field of Search D9/422, 420, 423, 430; 206/256, 265, 267, 249, 250-251, 259; D27/186, 189-190, 193-194

[56] References Cited

U.S. PATENT DOCUMENTS

D. 149,597	5/1948	Webber	206/267 X
1,466,548	8/1923	Raney .	
1,746,030	2/1930	Cordani	206/265
2,313,428	3/1943	Glenn	206/267 X
2,378,774	6/1945	Husted	206/267 X
2,531,737	11/1950	Lyon, Jr.	206/267 X
2,537,332	1/1951	Clampitt	206/250 X

OTHER PUBLICATIONS

Tobacco Retailer's Almanac, 1989, p. 96, case, located at bottom of page.

Primary Examiner—Wallace R. Burke

Assistant Examiner—H. Baynham

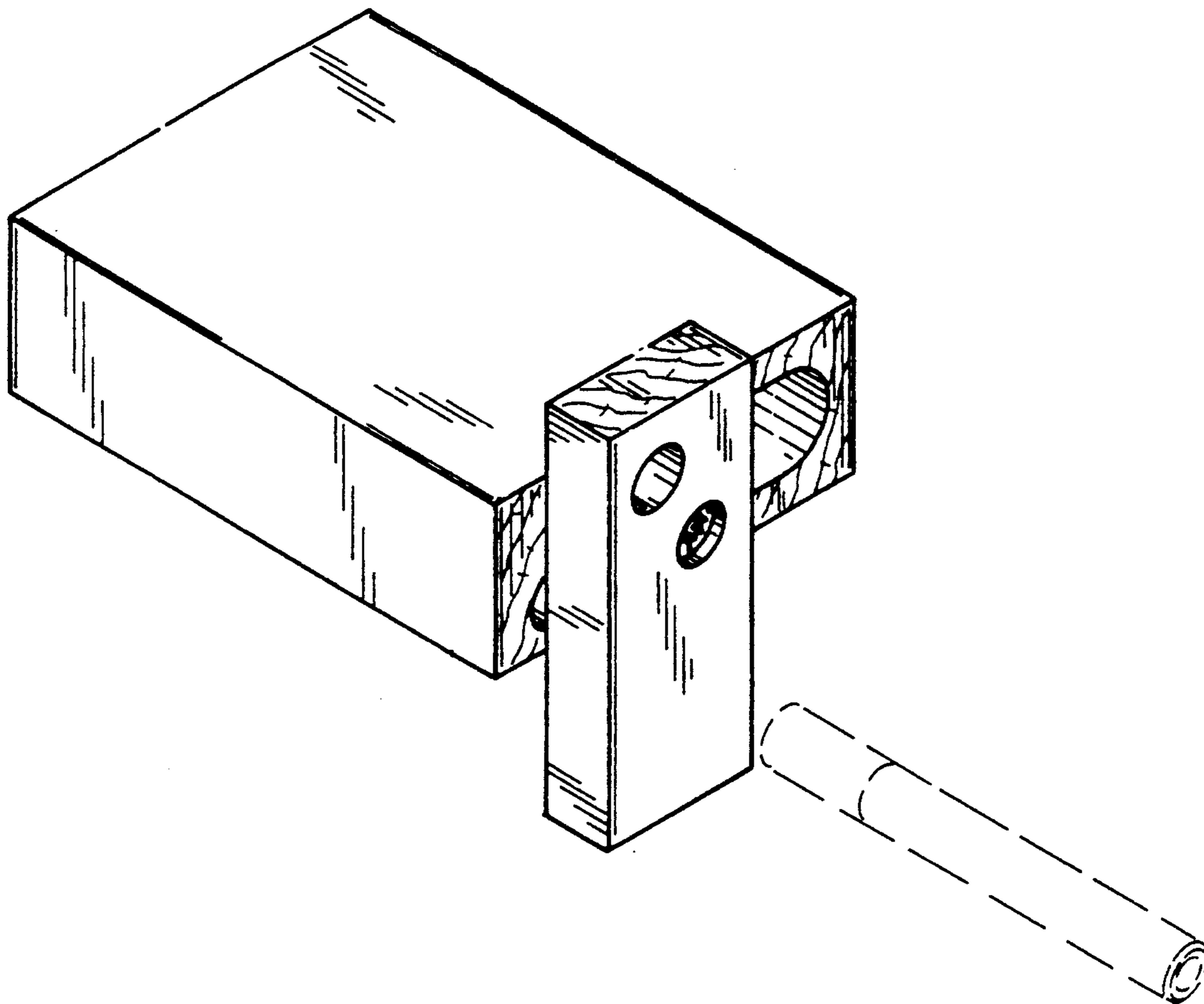
Attorney, Agent, or Firm—Douglas L. Tschida

[57] CLAIM

The ornamental design for a tobacco storage container for a smoking pipe, as shown and described.

DESCRIPTION

FIG. 1 is a perspective drawing showing my new design of a tobacco storage container for a smoking pipe, with the cover partially rotated and wherein the pipe shown in phantom line comprises no part of the design; FIG. 2 is a front elevation view thereof, the rear elevation view being a mirror image; FIG. 3 is a top plan view thereof; FIG. 4 is a bottom plan view thereof; and, FIG. 5 is a right side elevation view thereof, the left side view being a mirror image.



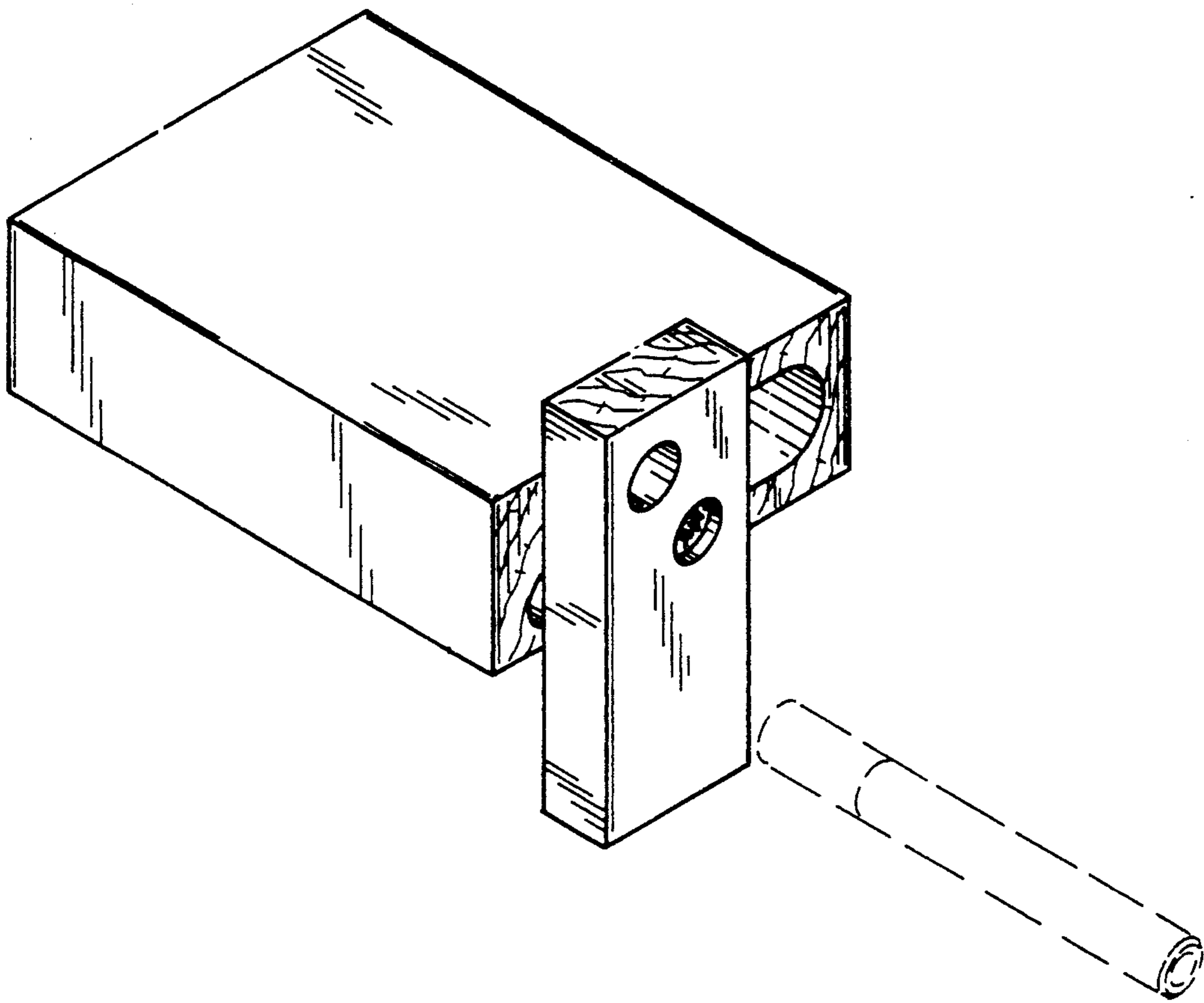


FIG. 1

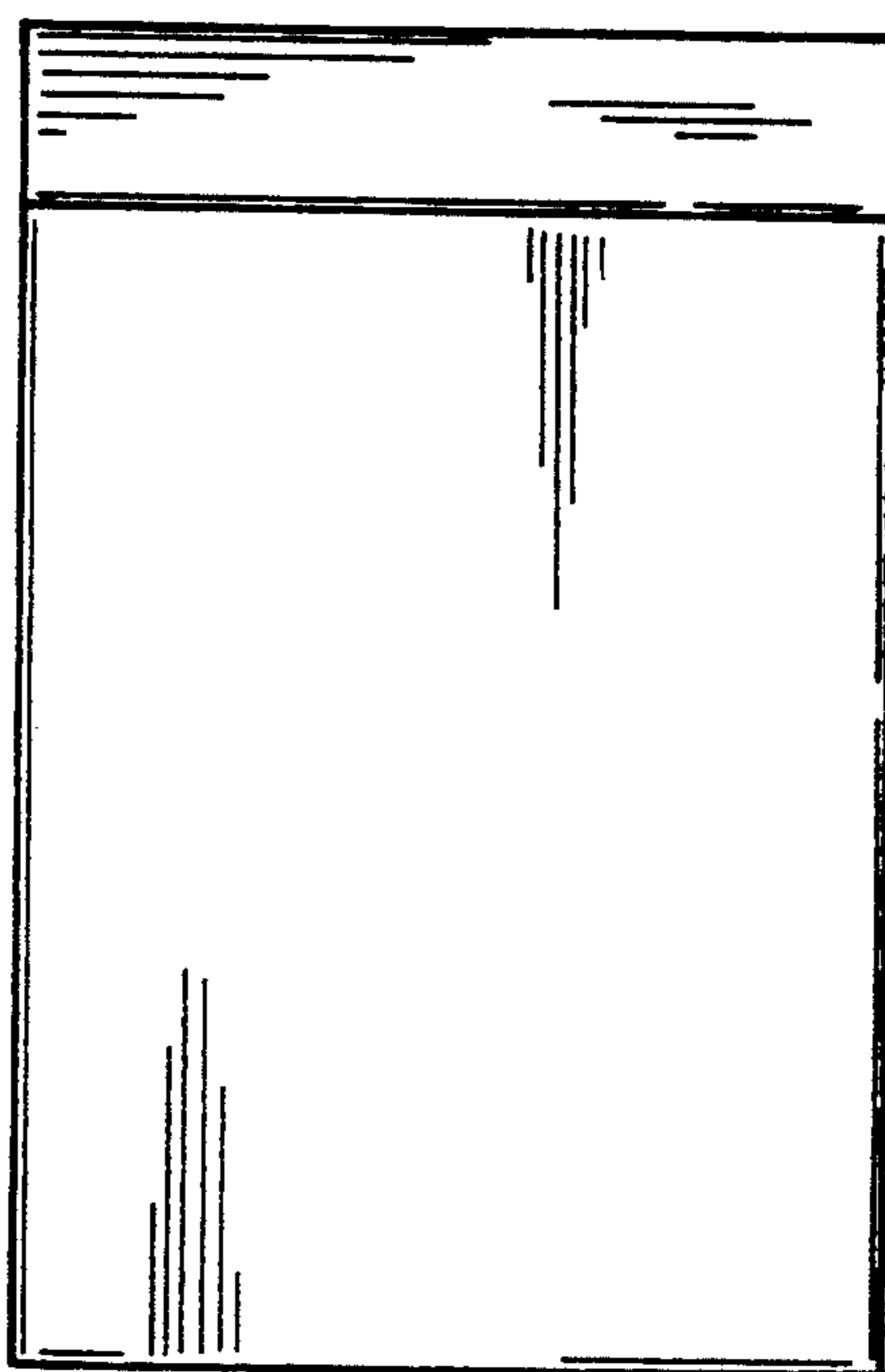


FIG. 2

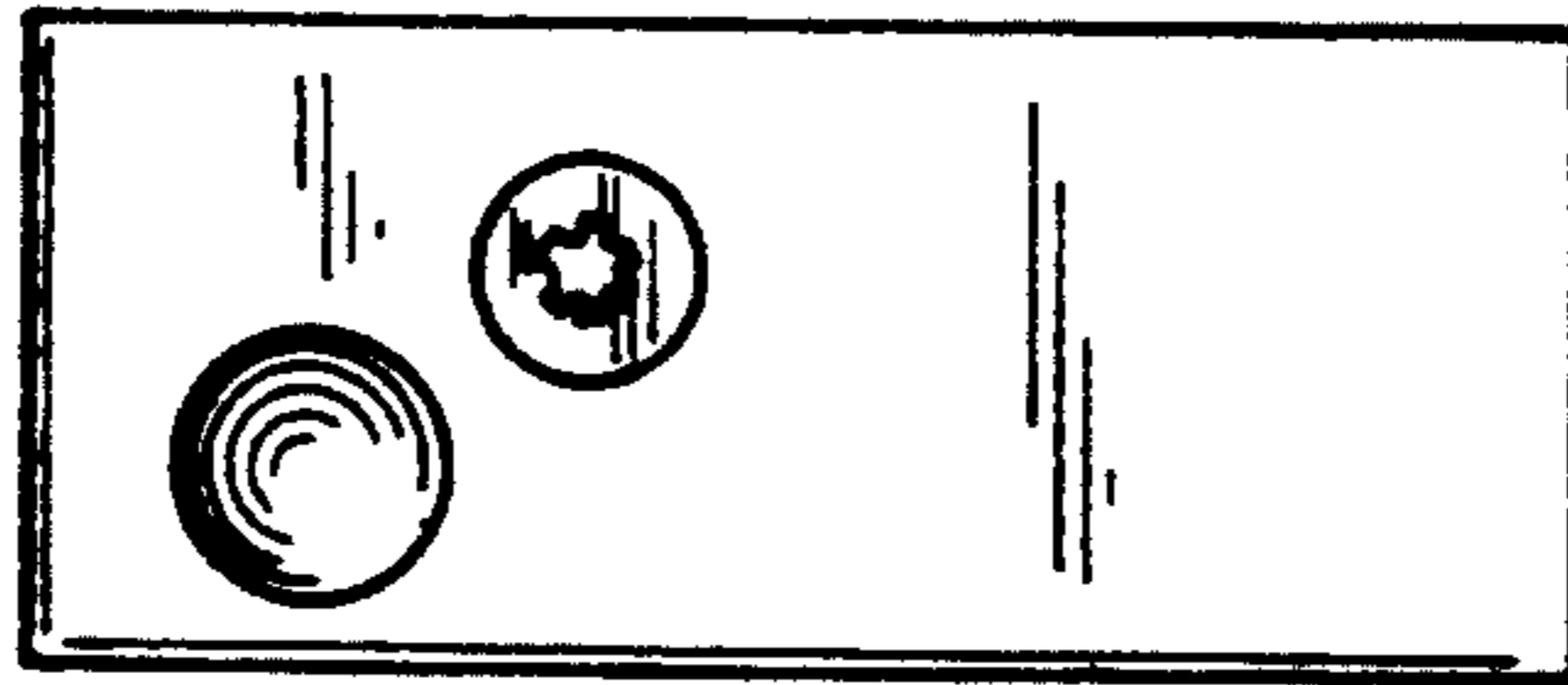


FIG. 3

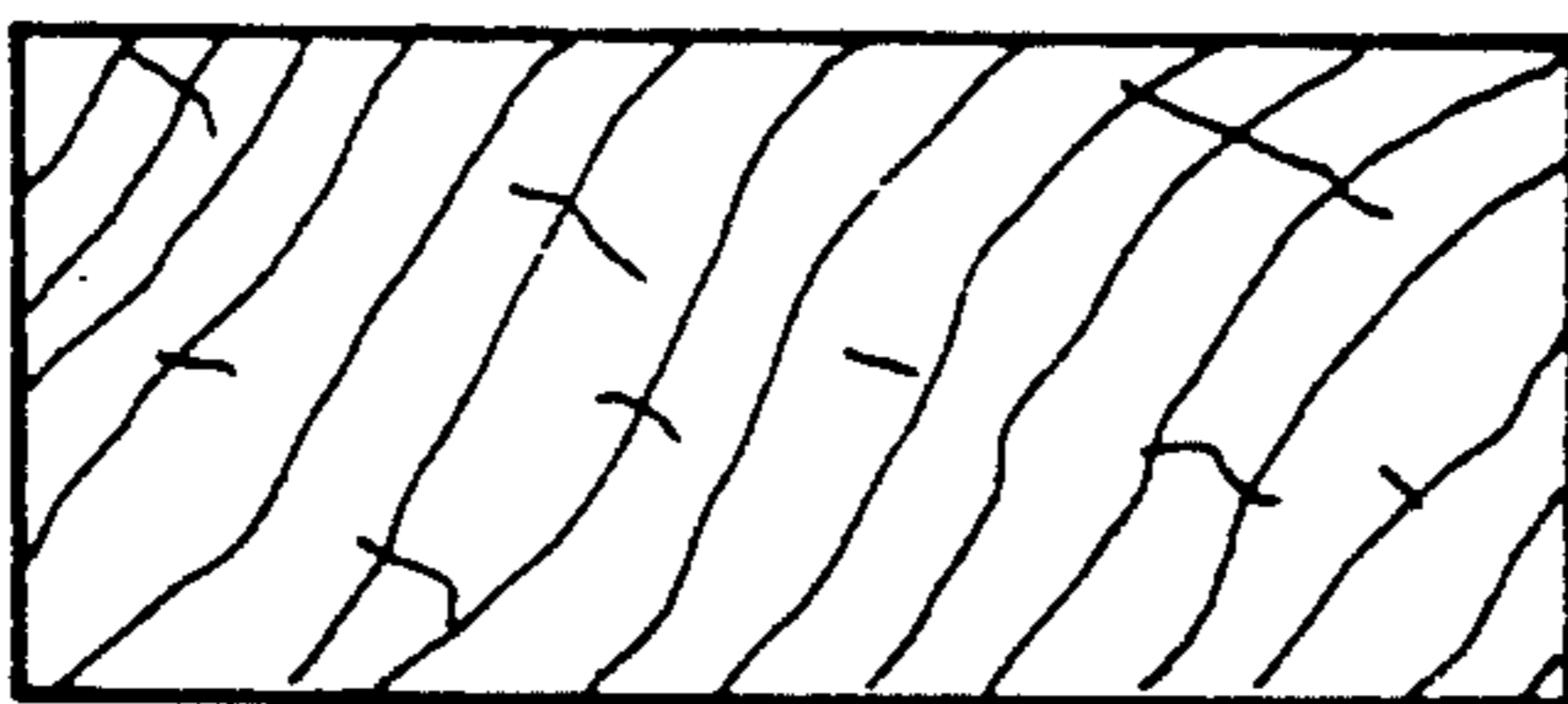


FIG. 4

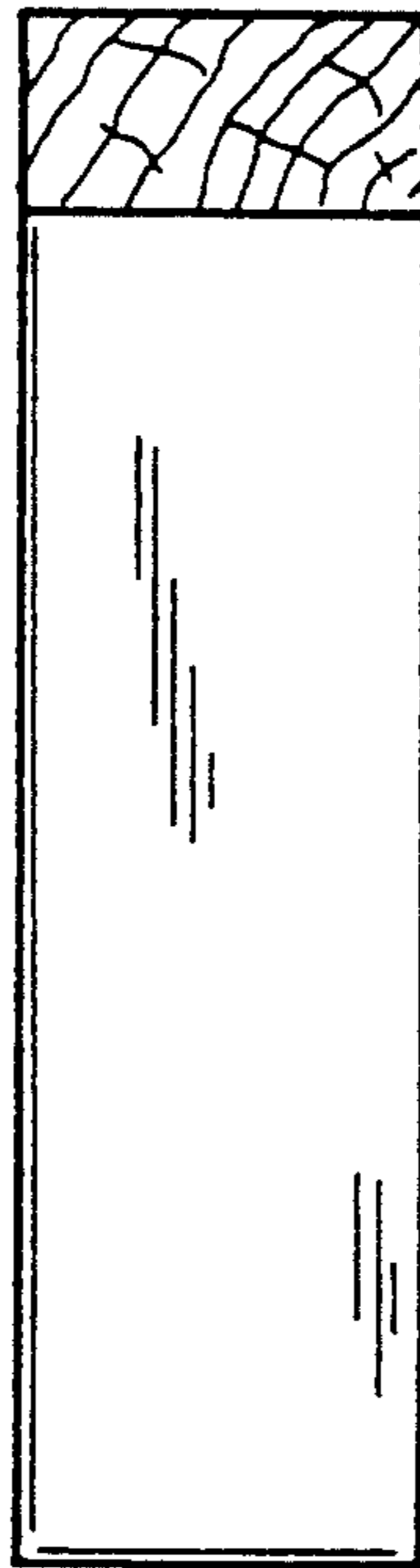


FIG. 5