



US00D348328S

United States Patent [19]

[11] Patent Number: **Des. 348,328**

Maruyama

[45] Date of Patent: **** Jun. 28, 1994**

[54] **CIGARETTE LIGHTER**

- [75] Inventor: **Susumu Maruyama, Tokyo, Japan**
- [73] Assignee: **Colibri Corporation, Providence, R.I.**
- [**] Term: **14 Years**
- [21] Appl. No.: **8,942**
- [22] Filed: **May 28, 1993**
- [52] U.S. Cl. **D27/157**
- [58] Field of Search **431/124, 127-143, 431/254-255; D27/157, 159, 141**

[56] **References Cited**

U.S. PATENT DOCUMENTS

- D. 248,409 7/1978 Spreter D27/157
- D. 261,814 11/1981 Spreter D27/157
- D. 330,441 10/1992 Cury D27/154 XR

OTHER PUBLICATIONS

Gift and Art Buyer, Aug. 1948, p. 212, lighter, located at bottom left of page.

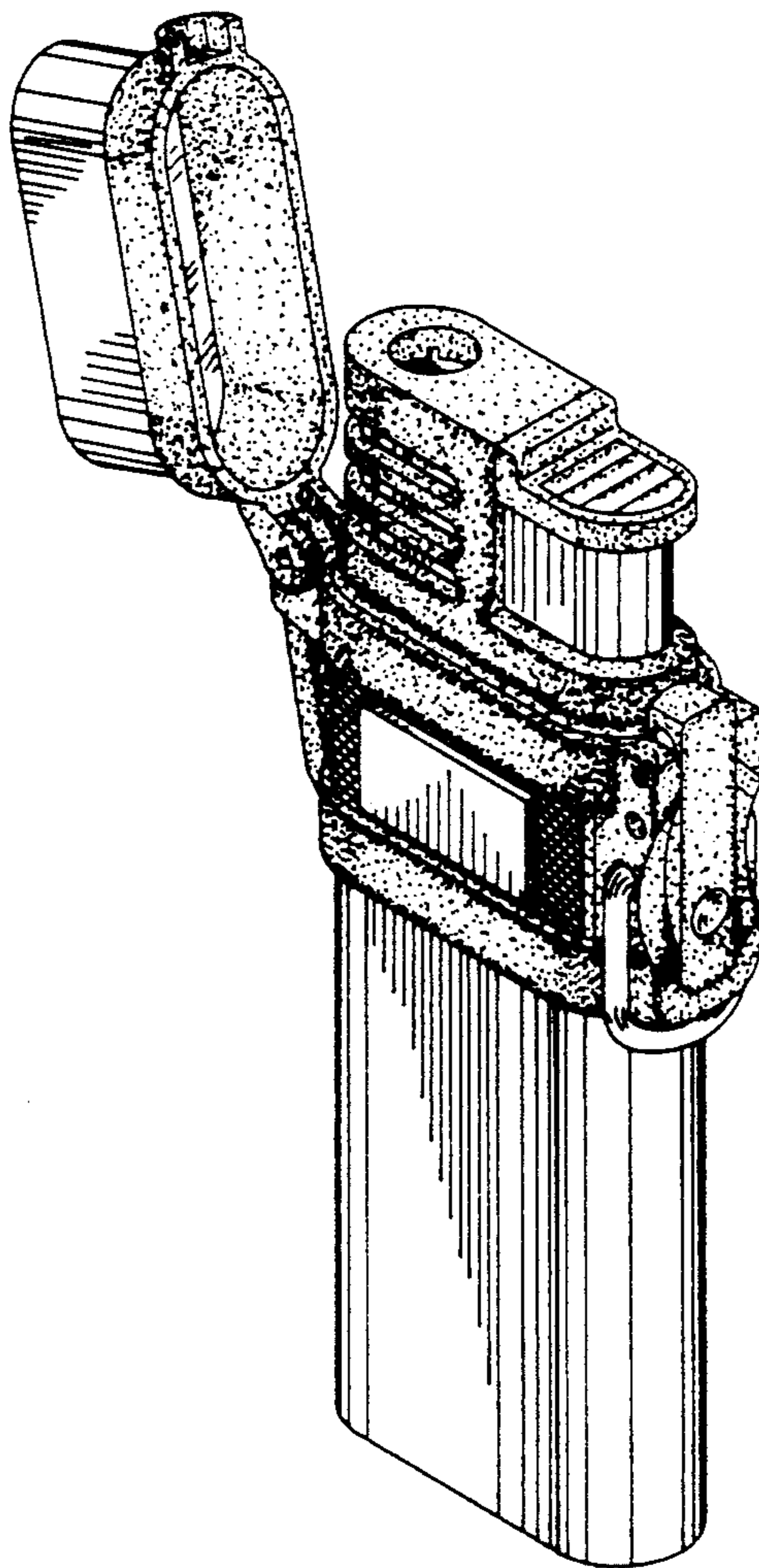
Primary Examiner—Wallace R. Burke
Assistant Examiner—H. Baynham
Attorney, Agent, or Firm—Salter, Michaelson & Benson

[57] **CLAIM**

The ornamental design for a cigarette lighter, as shown.

DESCRIPTION

- FIG. 1 is a front elevational view of a cigarette lighter showing my new design;
- FIG. 2 is a right-side elevational view thereof;
- FIG. 3 is a rear elevational view thereof;
- FIG. 4 is a left-side elevational view thereof;
- FIG. 5 is a top plan view thereof;
- FIG. 6 is a bottom plan view thereof;
- FIG. 7 is a front elevational view thereof with the lid in an opened position;
- FIG. 8 is a right-side elevational view thereof;
- FIG. 9 is a left-side elevational view thereof;
- FIG. 10 is a top plan view thereof;
- FIG. 11 is a bottom plan view thereof; and,
- FIG. 12 is a perspective view thereof.



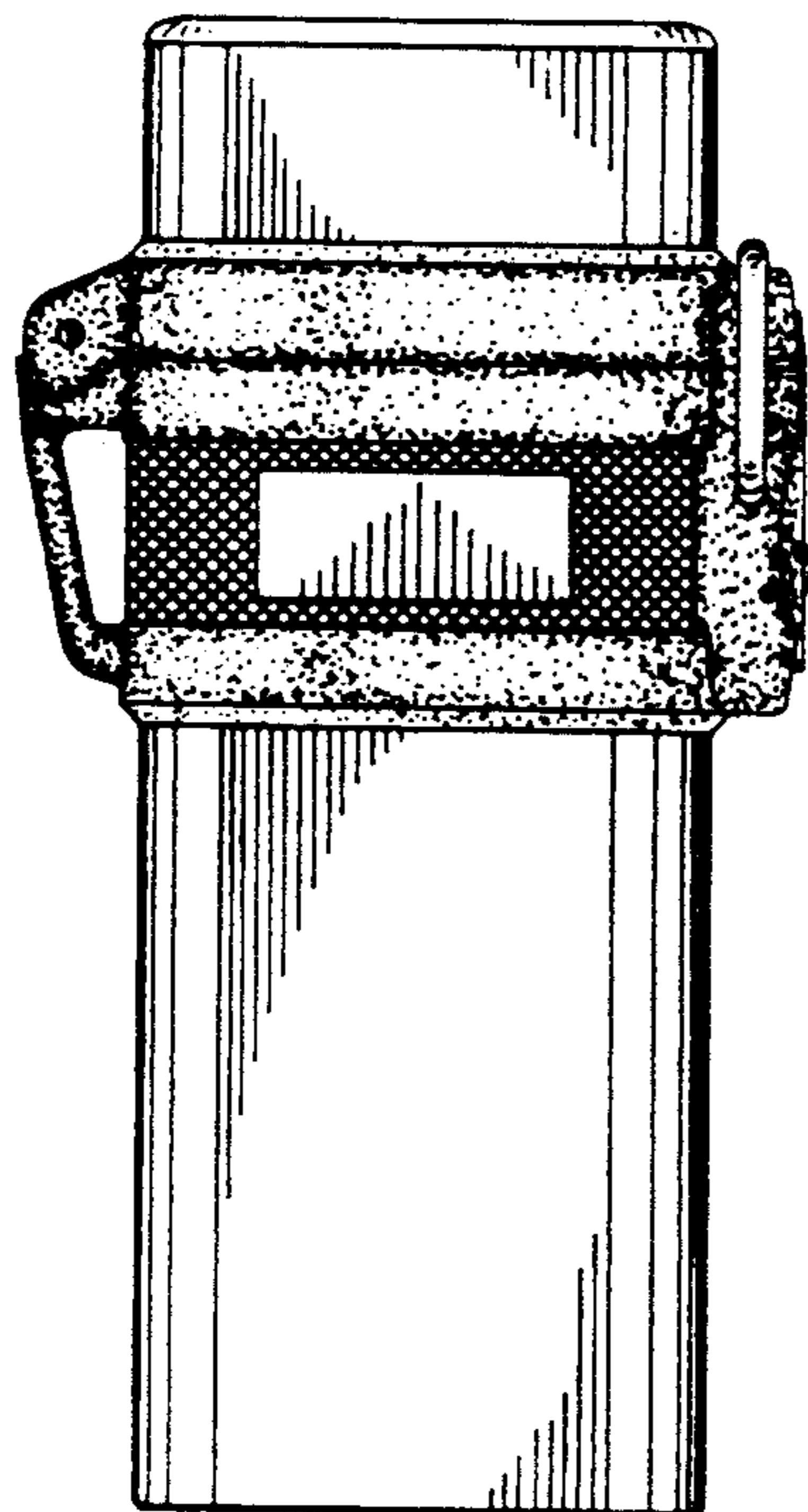


FIG. 1

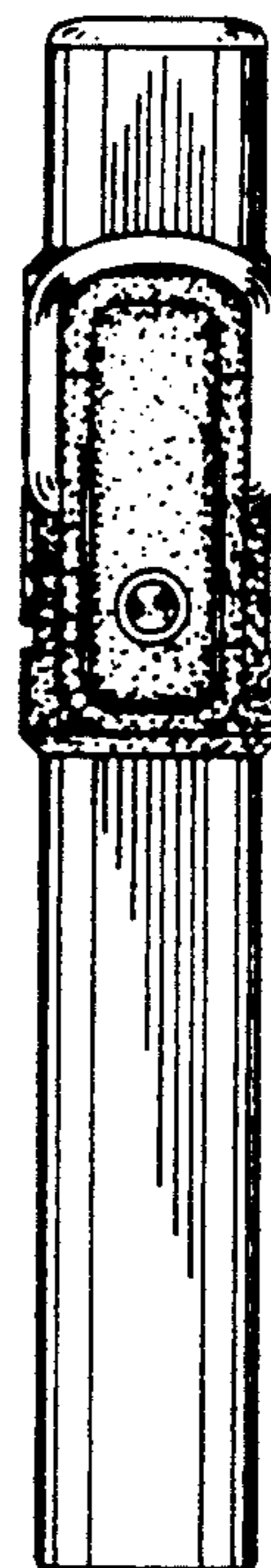


FIG. 2

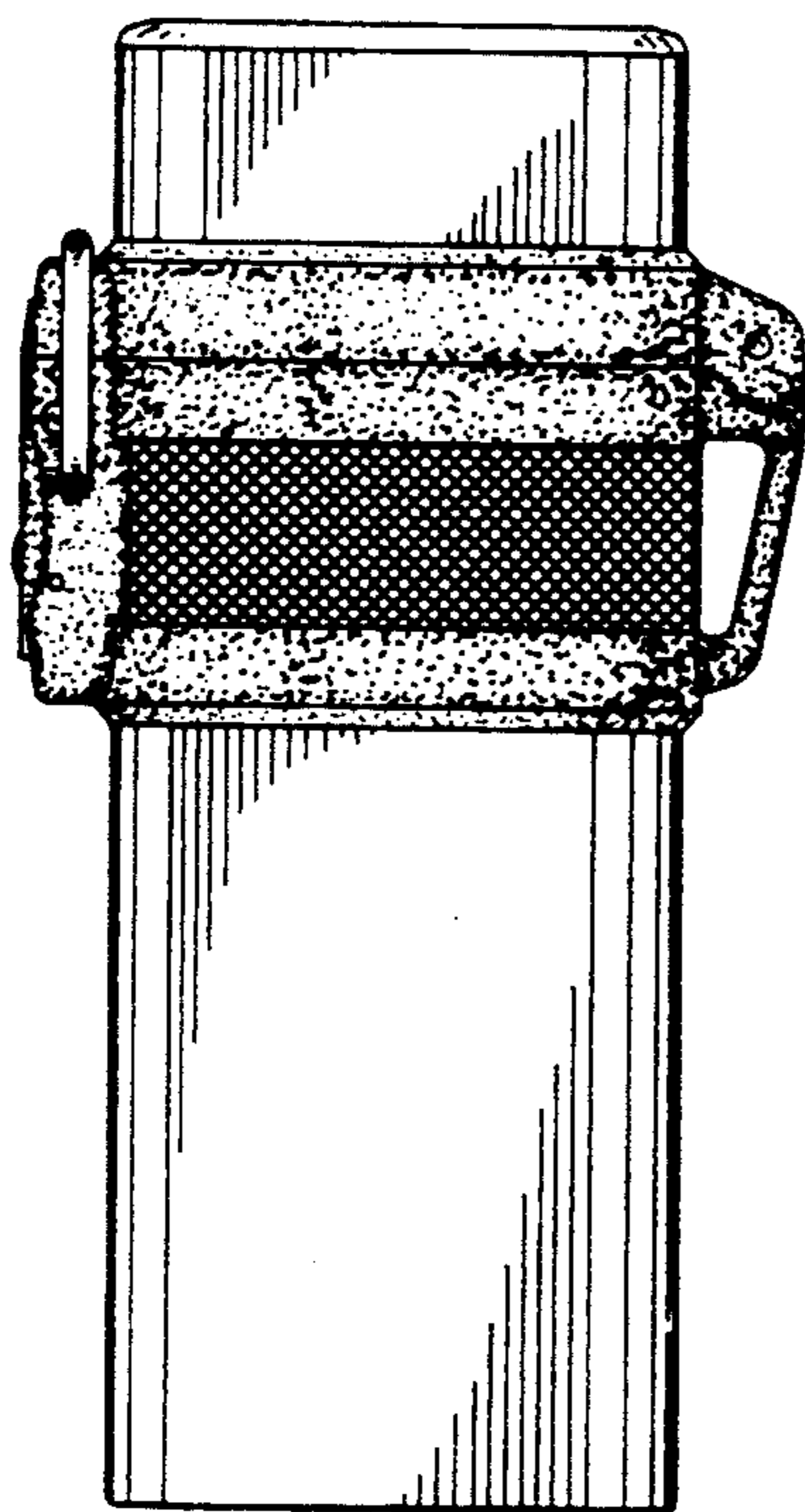


FIG. 3

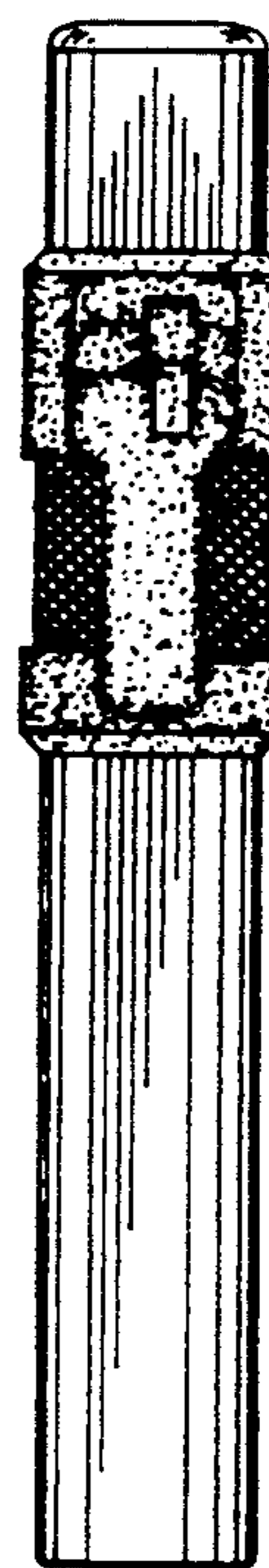


FIG. 4



FIG. 5

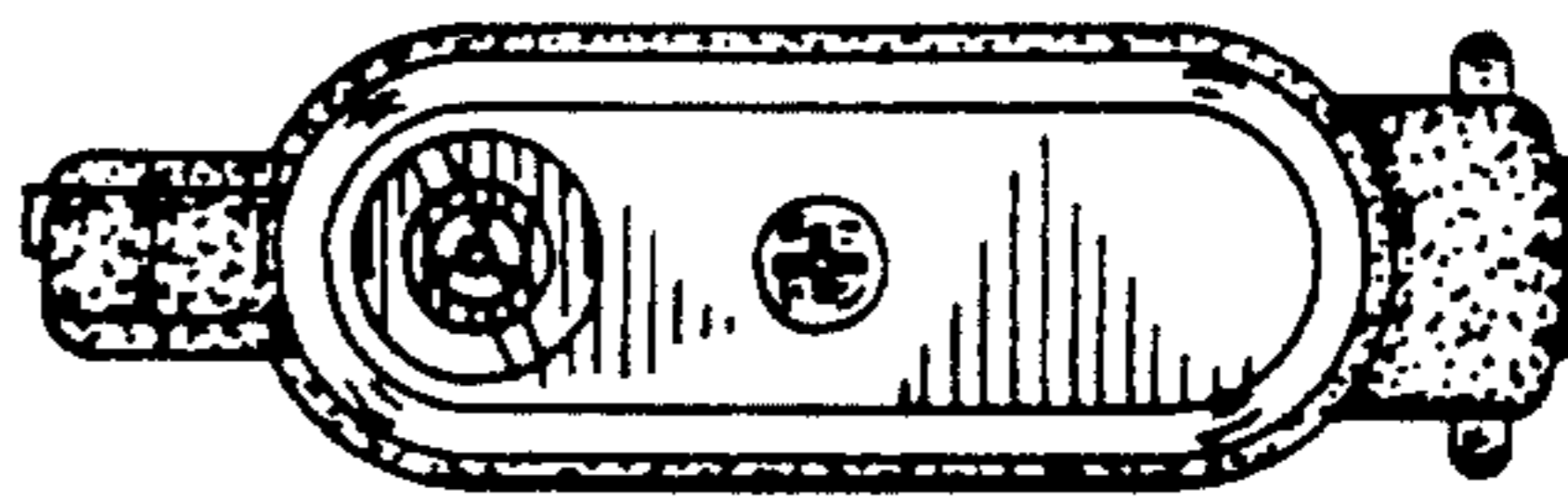


FIG. 6

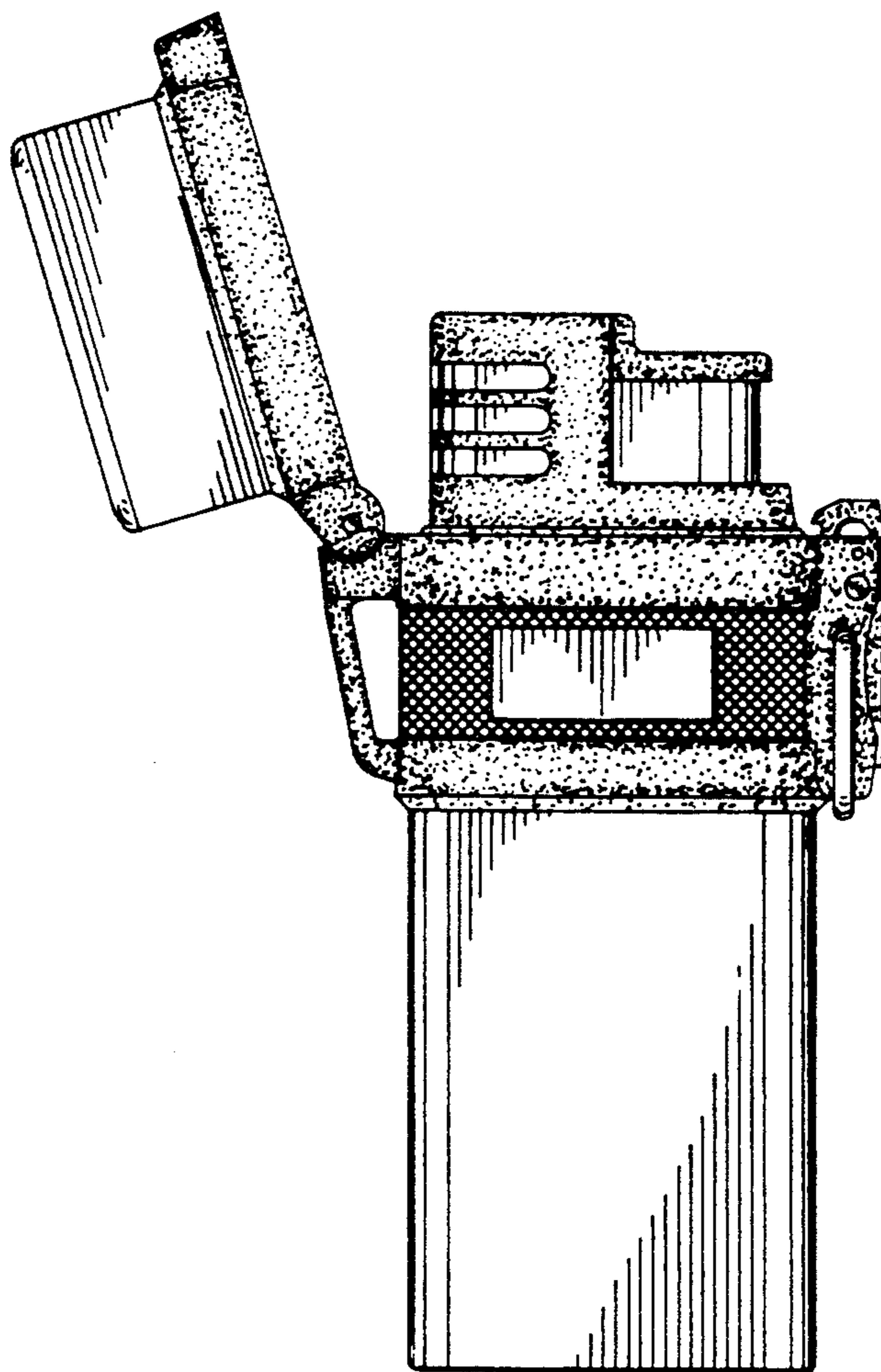


FIG. 7

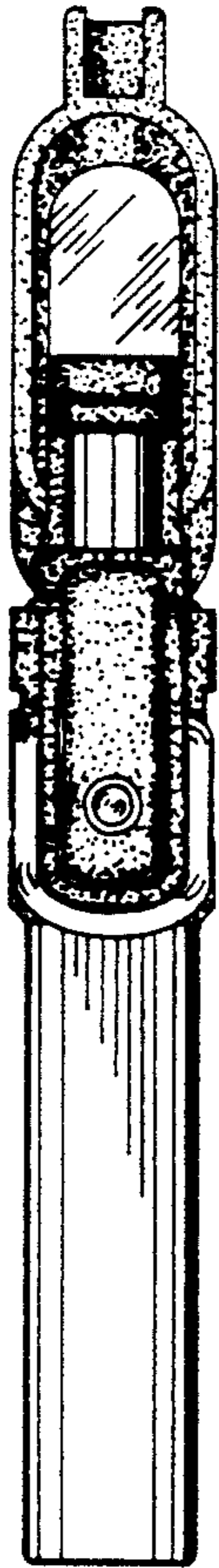


FIG. 8

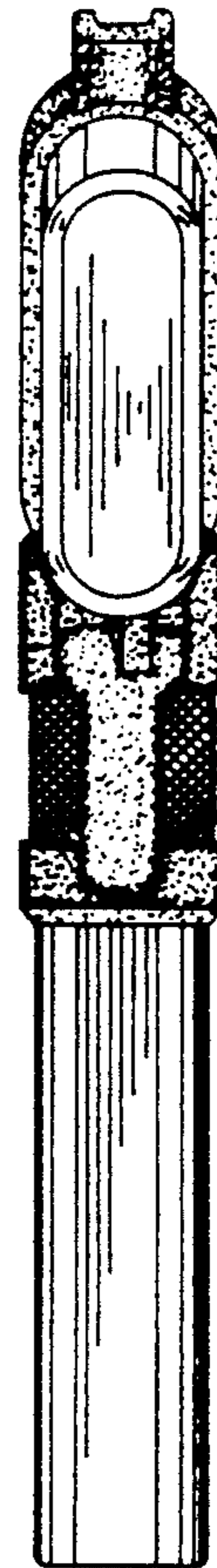


FIG. 9

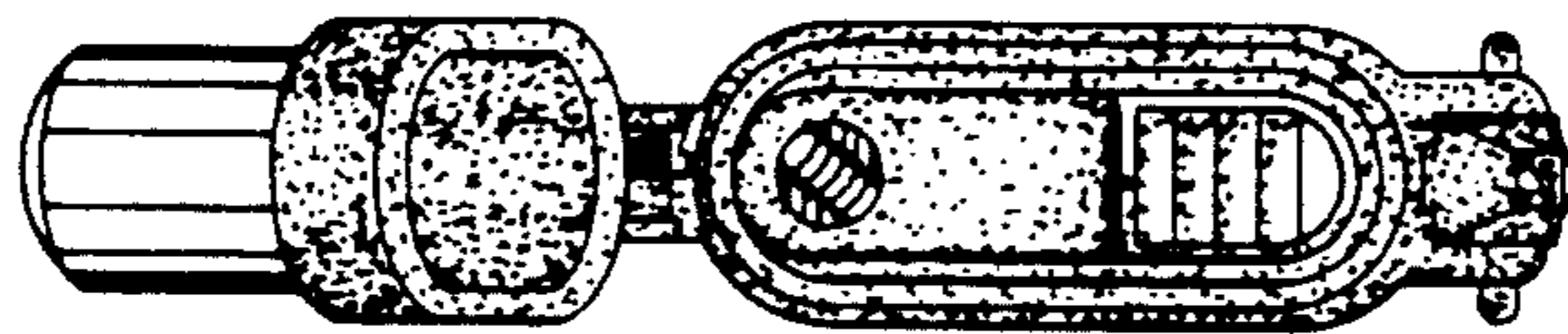


FIG. 10

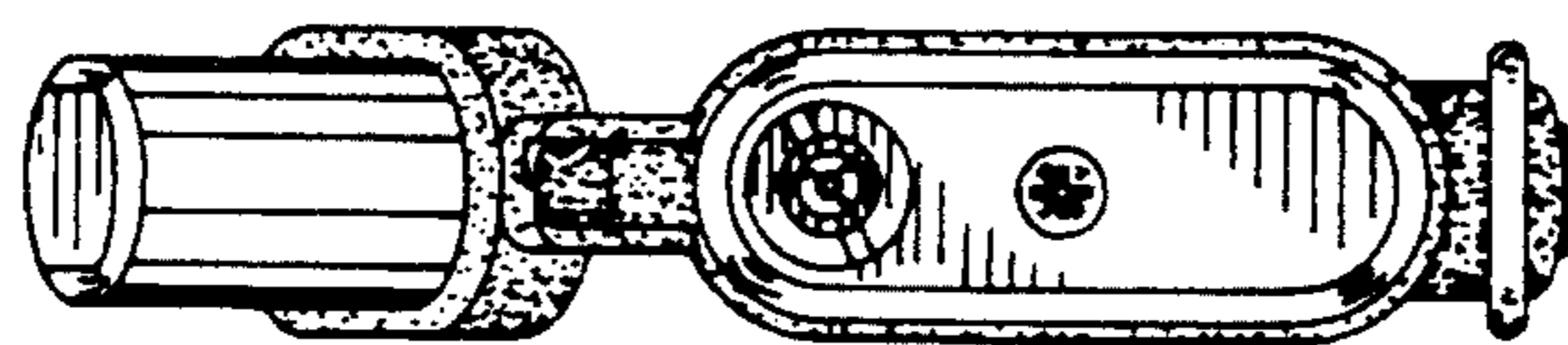


FIG. 11

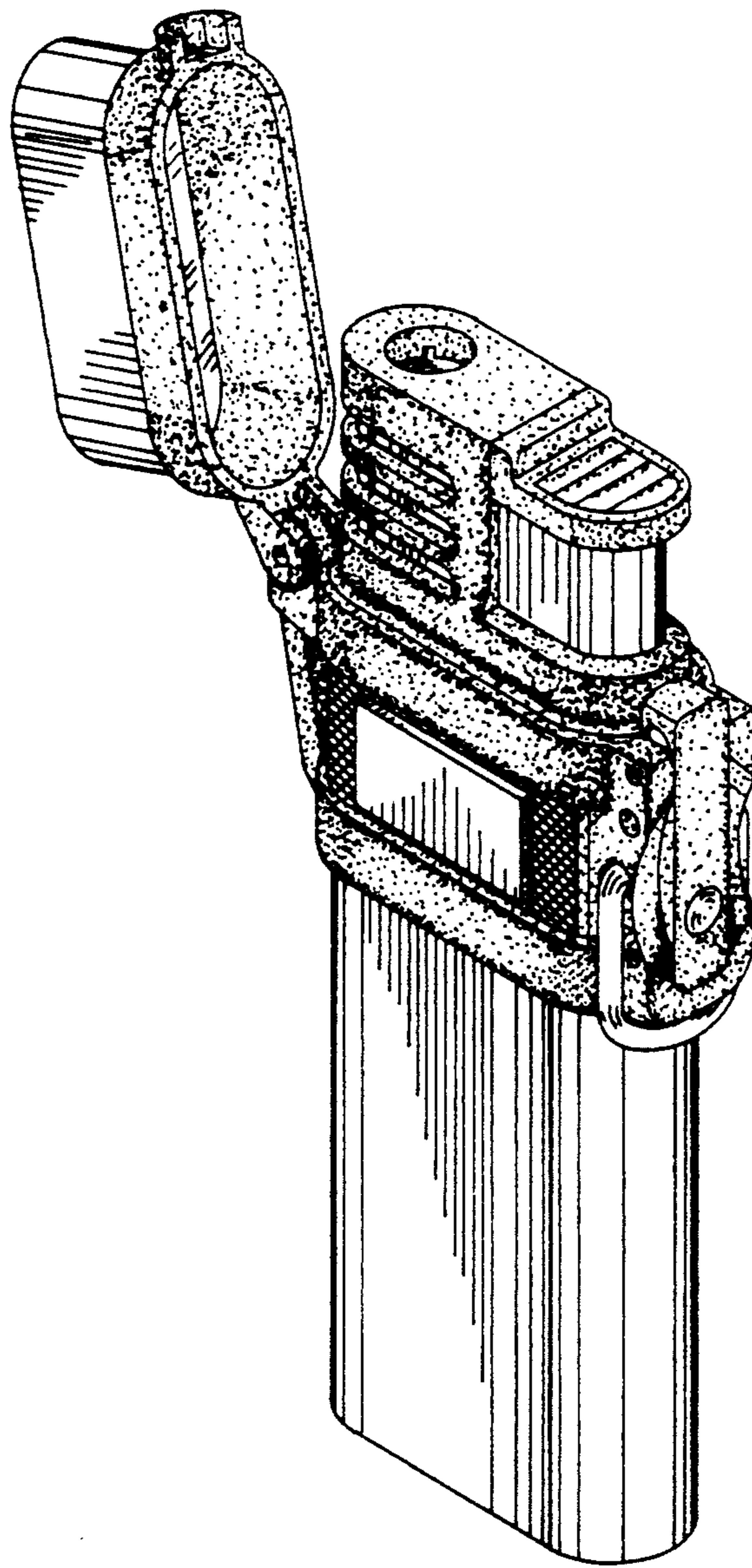


FIG. 12