



US00D348326S

United States Patent [19]
Shepard

[11] **Patent Number: Des. 348,326**
[45] **Date of Patent: ** Jun. 28, 1994**

[54] **COMBINED DECORATIVE LIGHT TRACK
AND ADJUSTABLE LIGHT FIXTURE
HOLDER THEREFORE**

4,731,711 3/1988 Engel 262/147
4,814,953 3/1989 Distasio 262/147
4,907,137 3/1990 Schladitz et al. 362/147 X

[76] **Inventor: James L. Shepard, 3 Carlton La.,
Dearborn, Mich.**

Primary Examiner—Susan J. Lucas
Attorney, Agent, or Firm—Terry M. Gernstein

[**] **Term: 14 Years**

[57] **CLAIM**

[21] **Appl. No.: 845,474**

The ornamental design for a combined decorative light track and adjustable light fixture holder therefore, as shown and described.

[22] **Filed: Mar. 6, 1992**

[52] **U.S. Cl. D26/140; D13/155**

DESCRIPTION

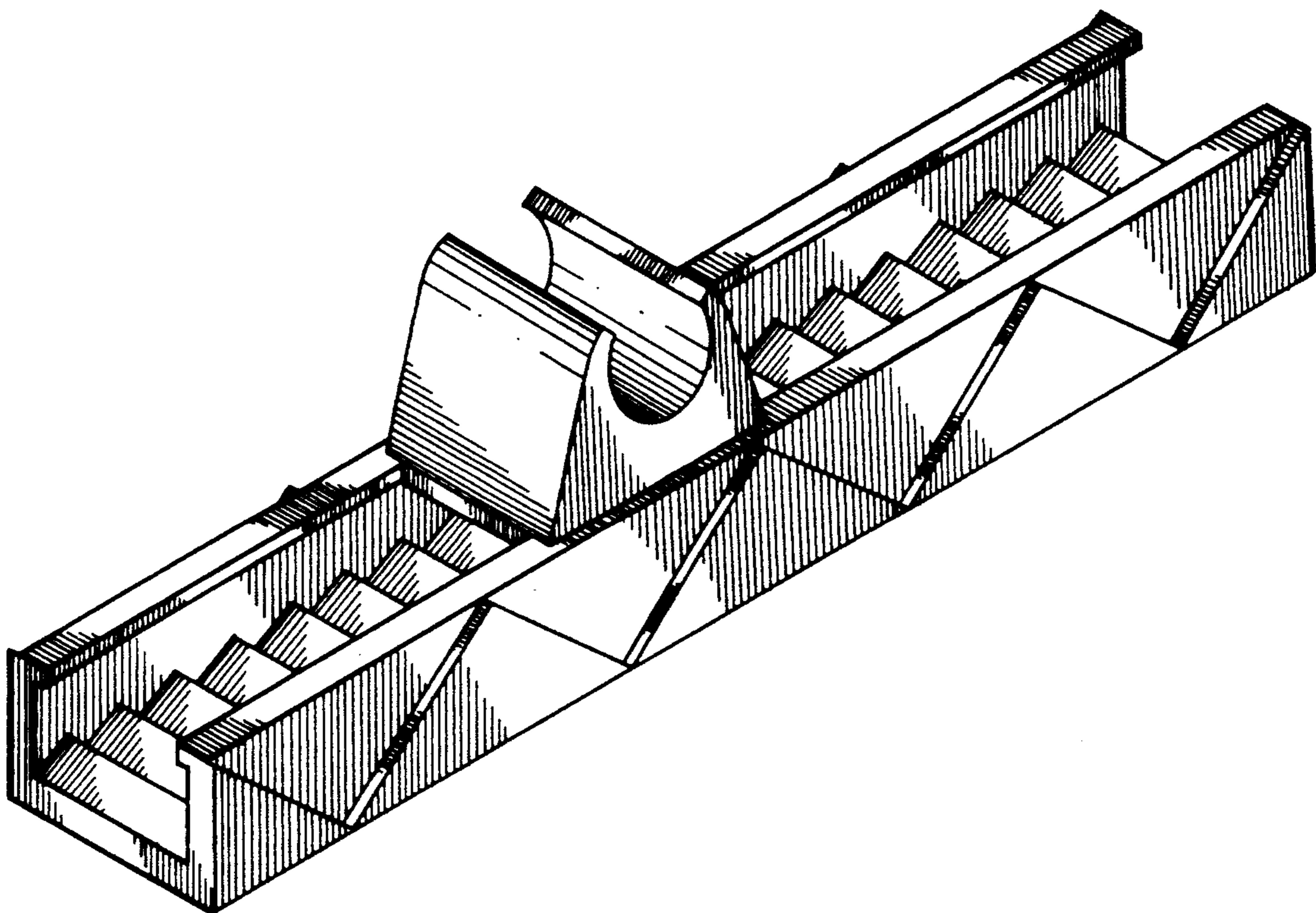
[58] **Field of Search 362/147, 269, 275, 285,
362/418, 419, 226, 396, 407, 408, 371; 439/110,
111, 115, 214, 215, 216; D26/60-65, 138, 140;
D13/155, 154**

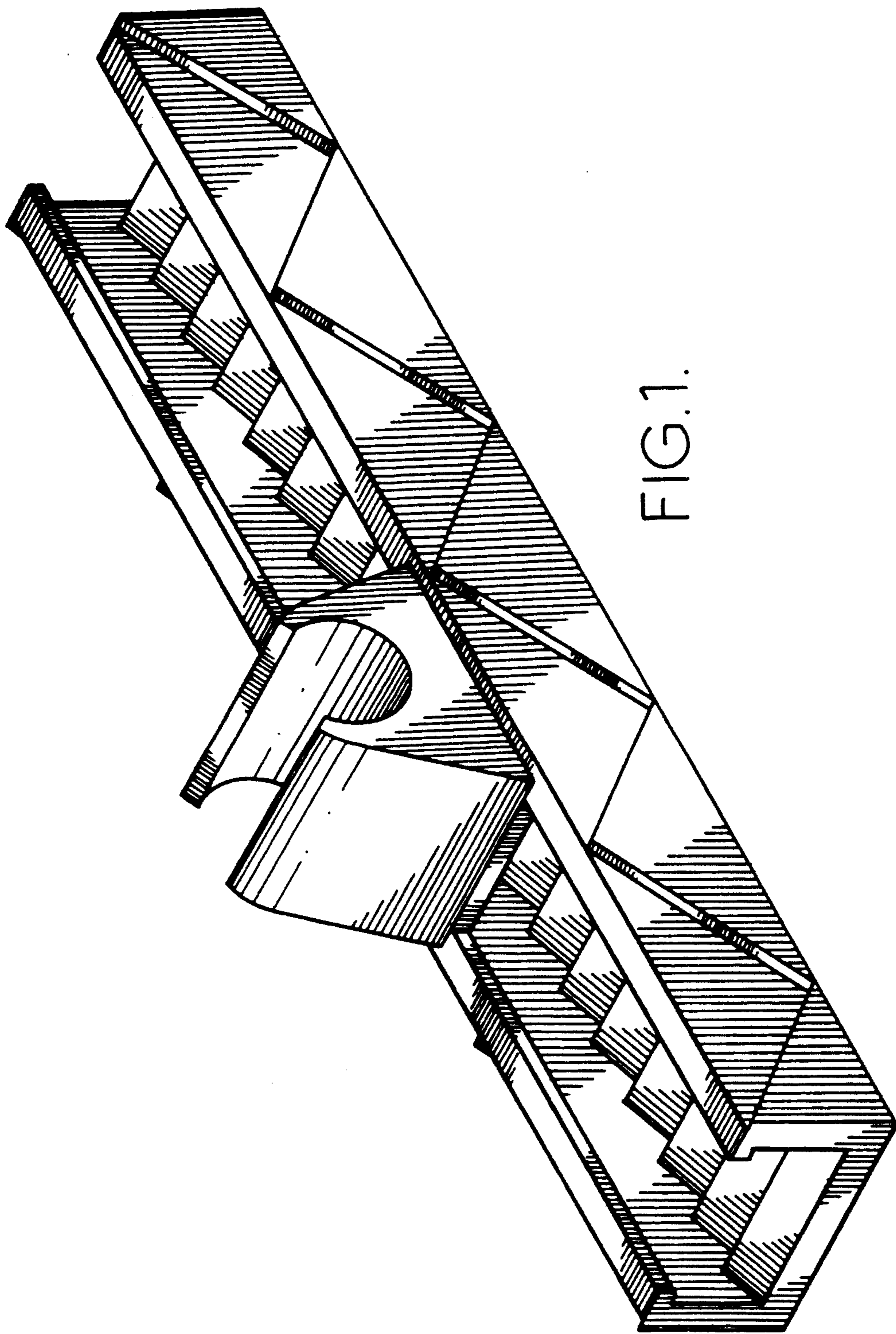
FIG. 1 is a perspective view of the combined decorative light track and adjustable light fixture holder therefore embodying the design of the present invention; FIG. 2 is a front elevational view thereof, the rear being a mirror image of the front shown in FIG. 2; FIG. 3 is a side elevational view thereof; FIG. 4 is a opposite side elevational view thereof; FIG. 5 is a top plan view thereof; and, FIG. 6 is a bottom view thereof.

[56] **References Cited**

U.S. PATENT DOCUMENTS

4,688,154 8/1987 Nilssen 362/147
4,731,710 3/1988 Distasio 262/147





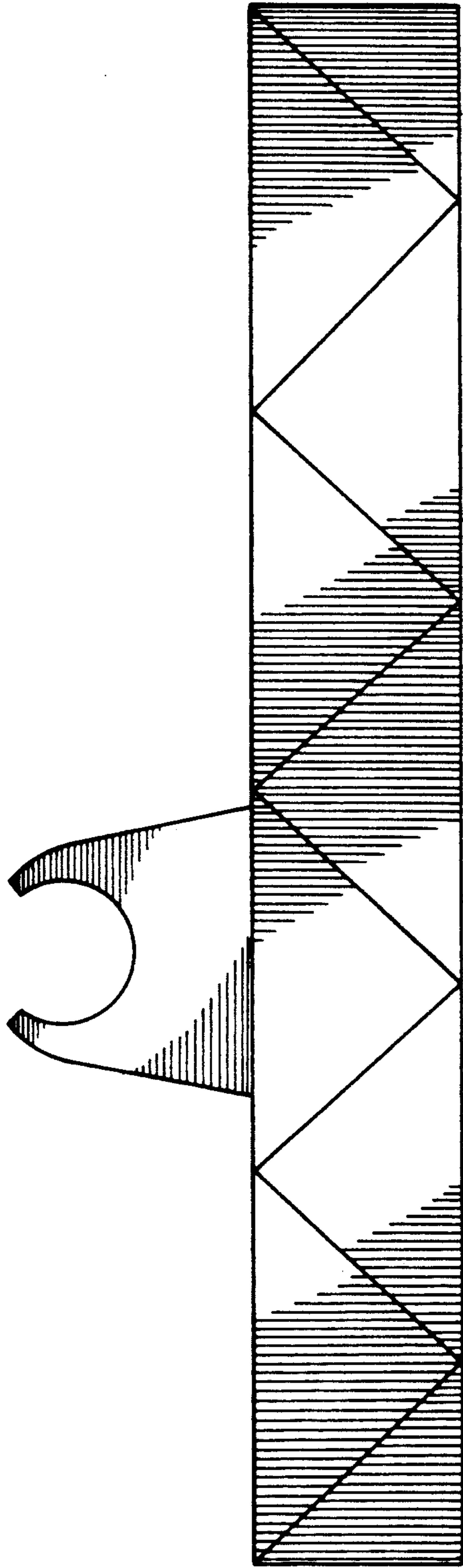


FIG. 2.

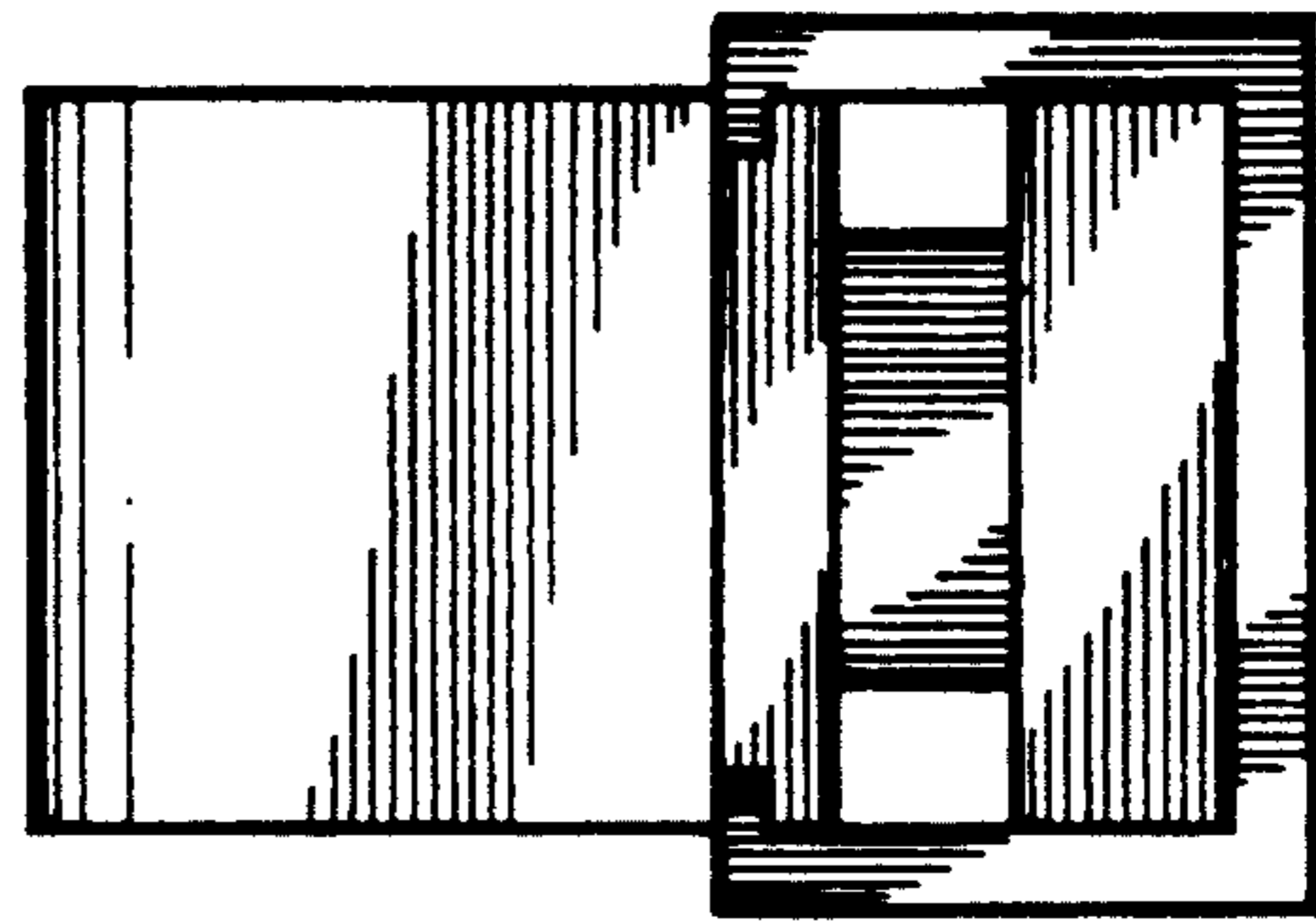


FIG. 3.

FIG. 4.

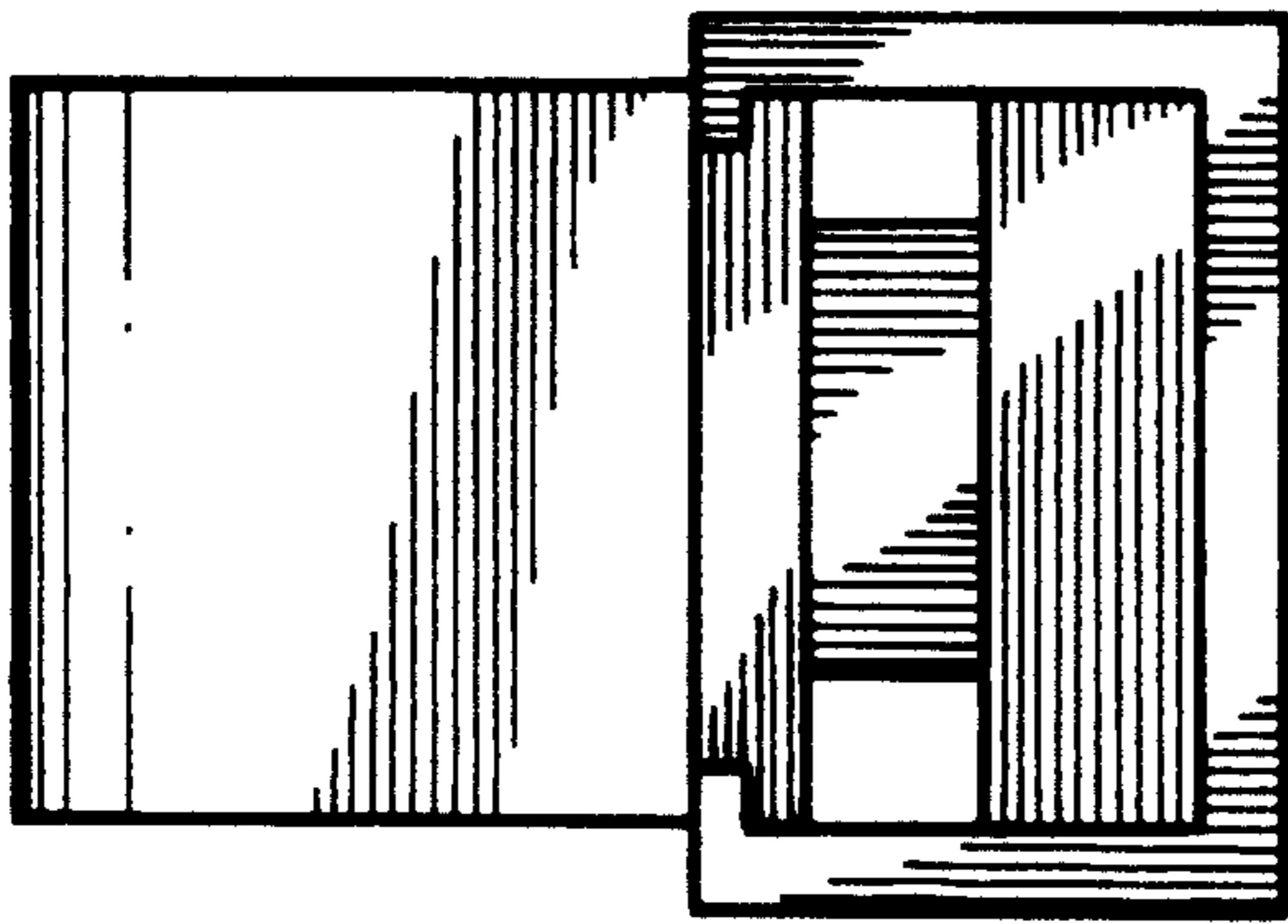


FIG. 6.

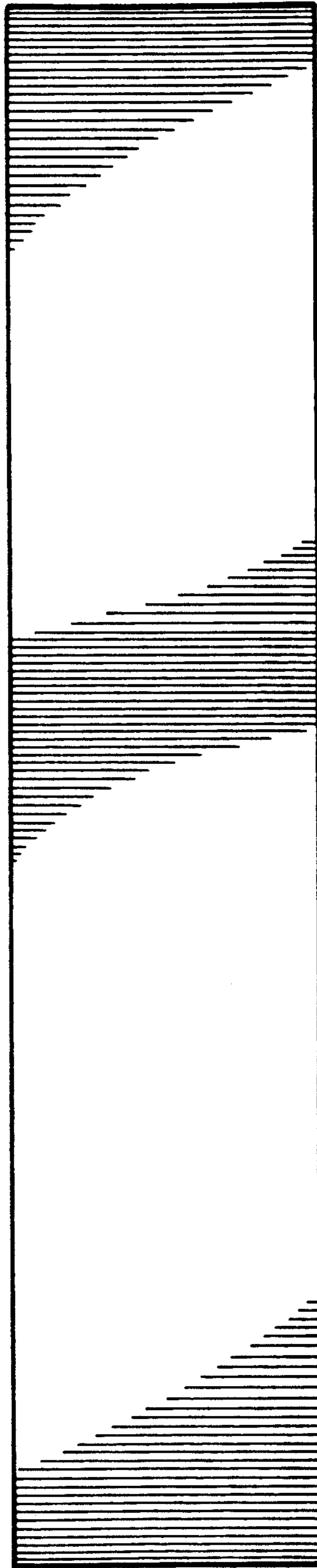


FIG. 5.

