



US00D348318S

United States Patent [19]

[11] Patent Number: **Des. 348,318**

Schultz

[45] Date of Patent: **** Jun. 28, 1994**

[54] FLASHLIGHT

D. 296,828 7/1988 Byrns D26/48
3,252,733 5/1966 Moore et al. D26/48

[75] Inventor: **William H. Schultz**, Northbrook, Ill.

Primary Examiner—Wallace R. Burke

[73] Assignee: **Skil Corporation**, Chicago, Ill.

Assistant Examiner—Marcus Jackson

[**] Term: **14 Years**

Attorney, Agent, or Firm—Jones, Day, Reavis & Pogue

[21] Appl. No.: **930,825**

[57] **CLAIM**

[22] Filed: **Aug. 14, 1992**

The ornamental design for a flashlight, as shown and described.

[52] U.S. Cl. **D26/37**

DESCRIPTION

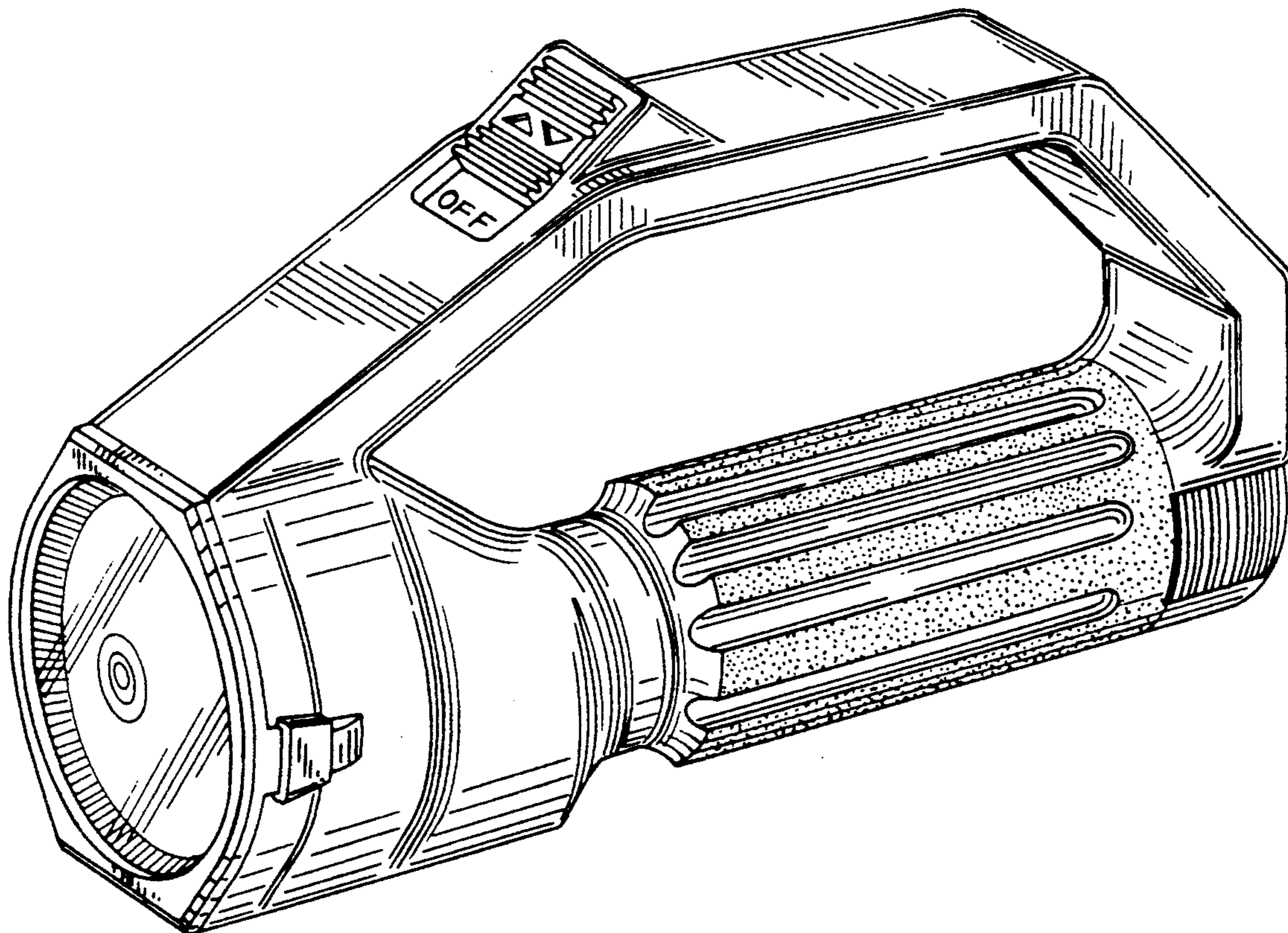
[58] **Field of Search** 362/157, 158, 183, 184,
362/185, 186, 188, 189, 190, 191, 196, 197, 198,
200, 202, 205, 206, 208; D26/37-50

FIG. 1 is a perspective view of the flashlight;
FIG. 2 is a side view of the flashlight, the other side
being a mirror image of the side shown;
FIG. 3 is a front view of the flashlight;
FIG. 4 is a back view of the flashlight;
FIG. 5 is a top view of the flashlight; and,
FIG. 6 is a bottom view of the flashlight.

[56] **References Cited**

U.S. PATENT DOCUMENTS

D. 295,561 5/1988 Hsiao D26/48



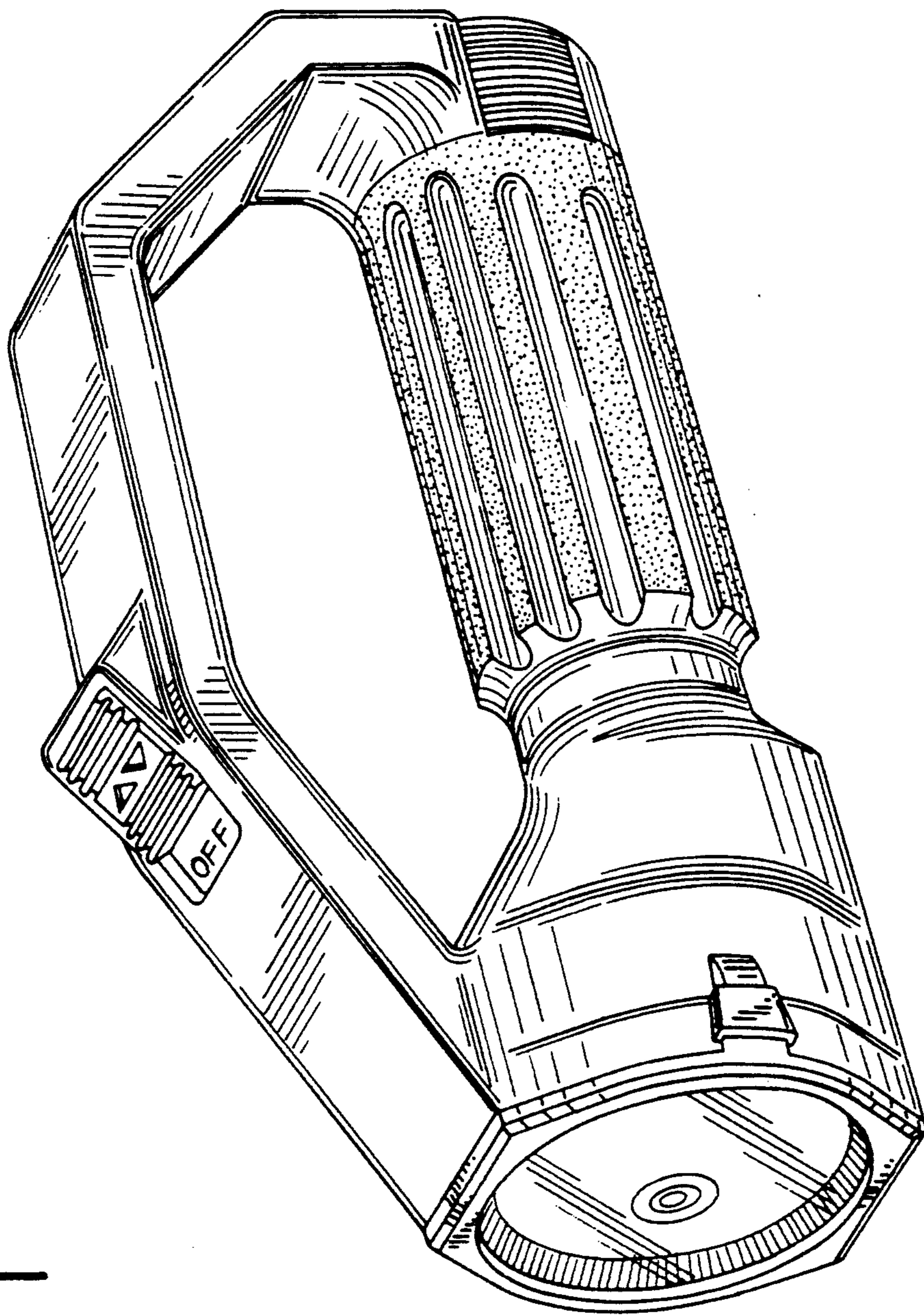


FIG. 1

FIG. 2

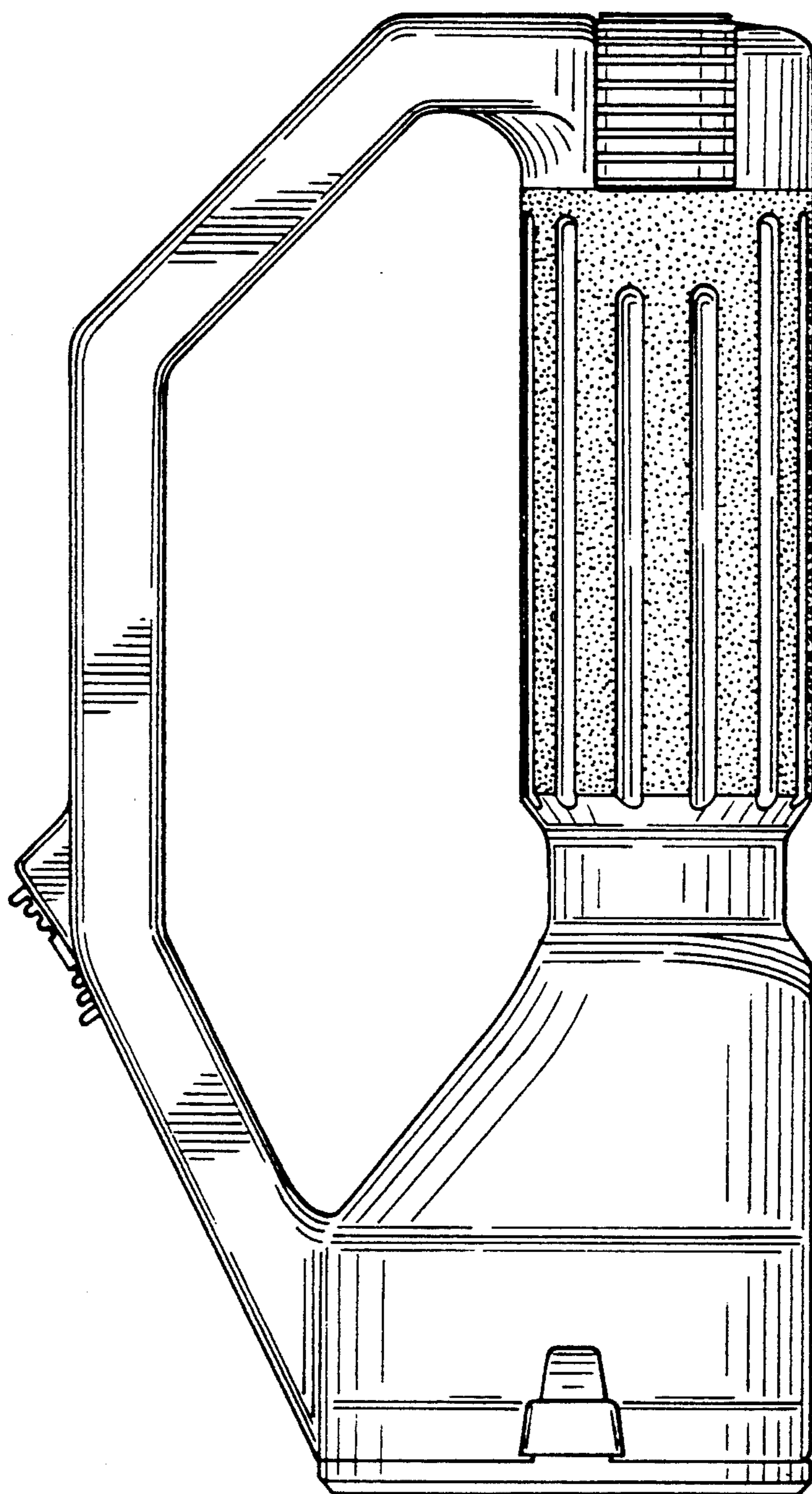


FIG. 4

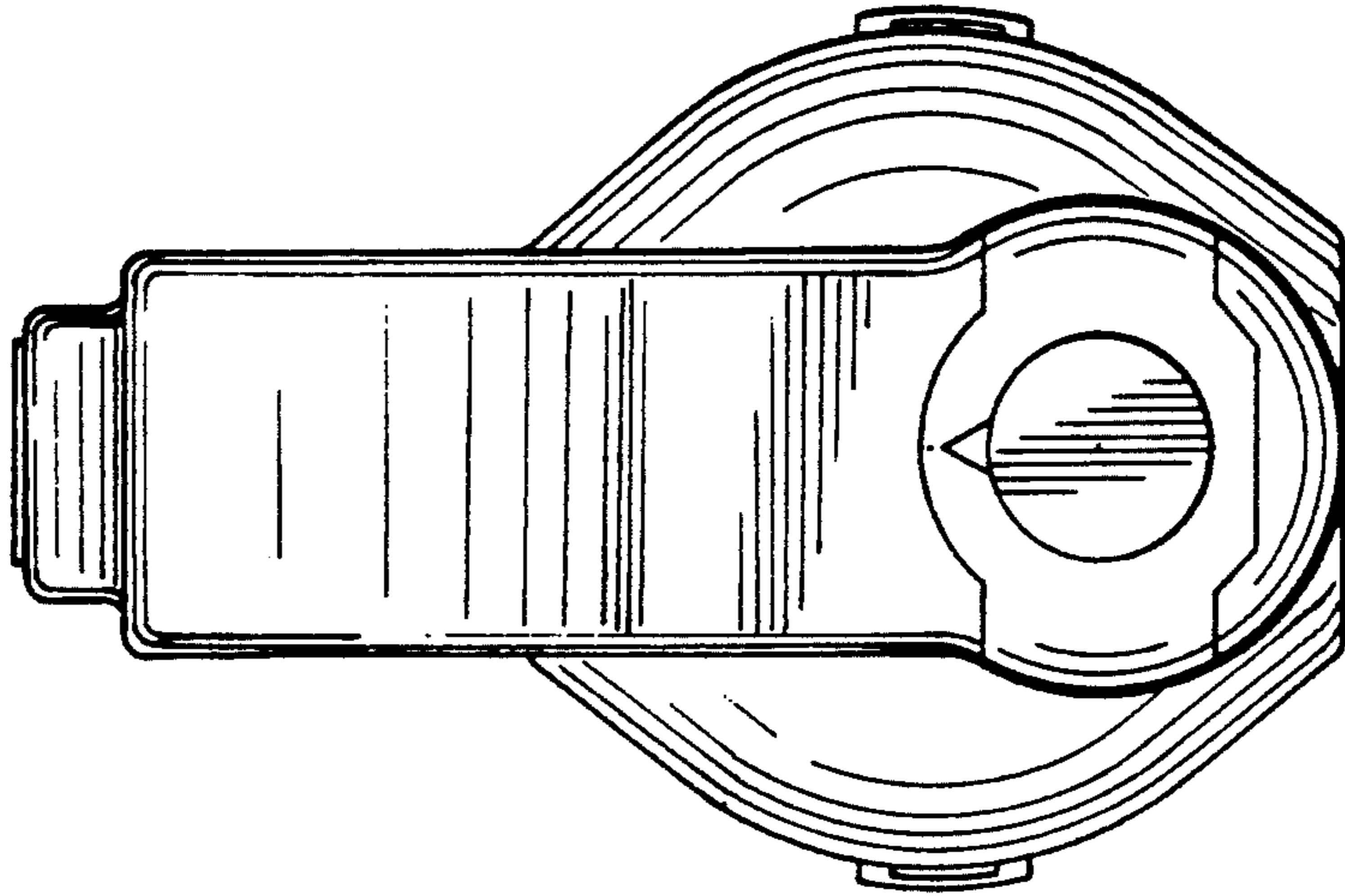
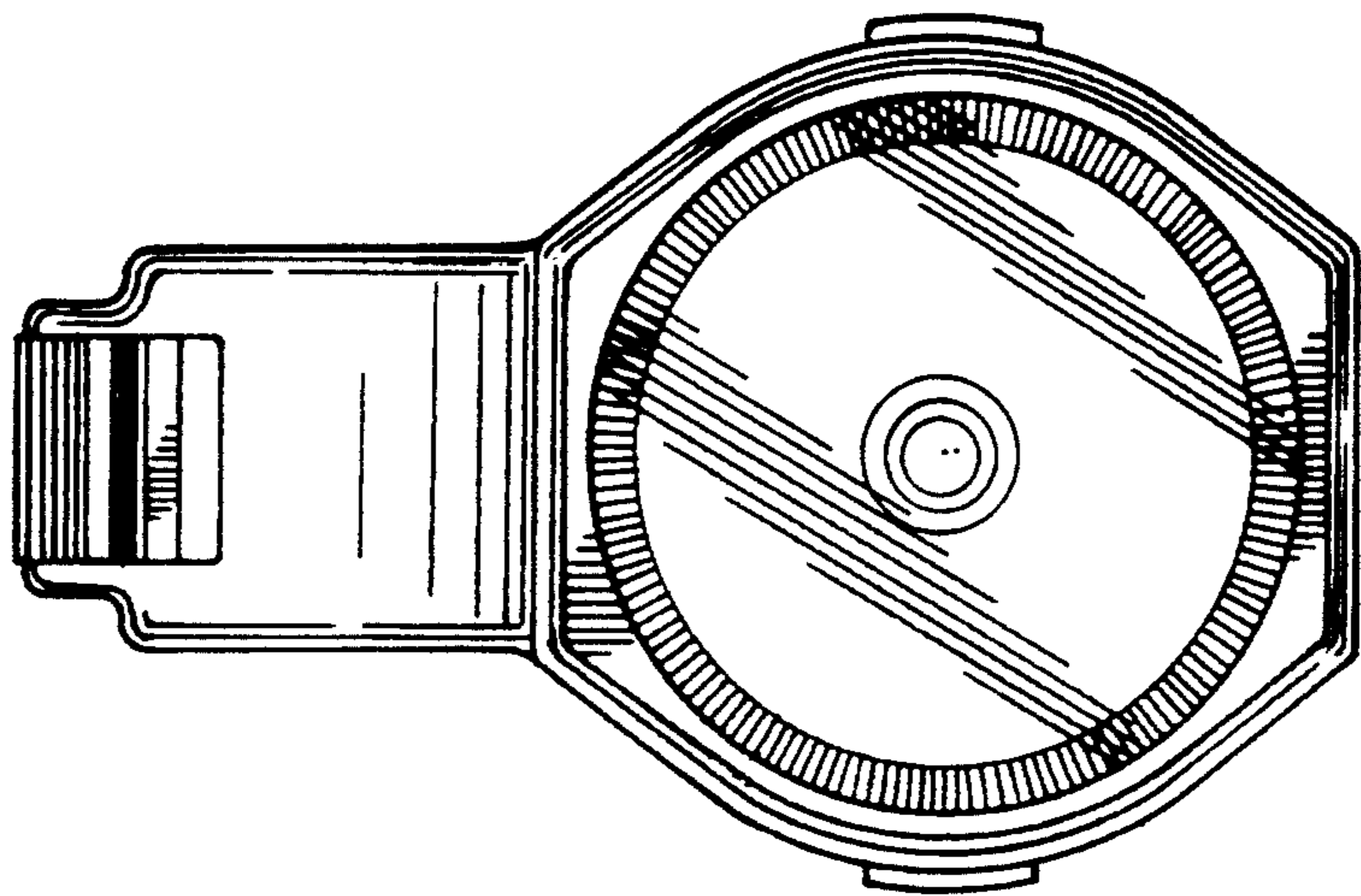


FIG. 3



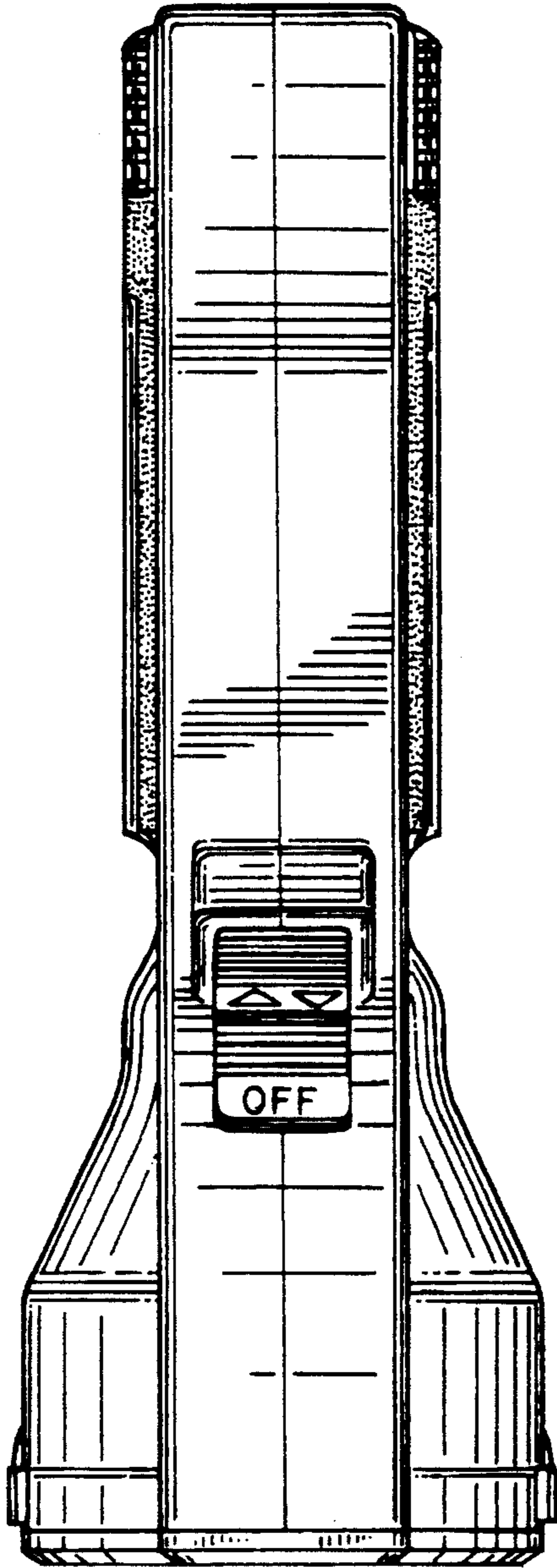


FIG. 5

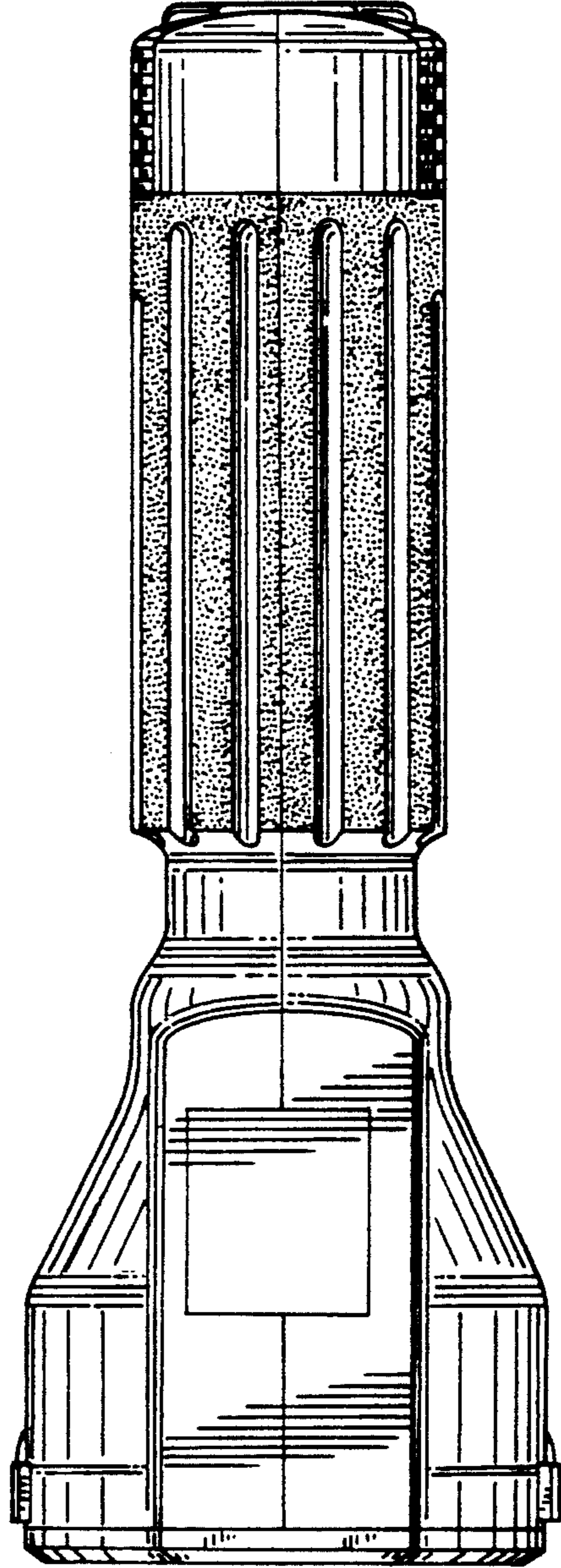


FIG. 6