



US00D348316S

United States Patent [19]

[11] Patent Number: **Des. 348,316**

Malmanger et al.

[45] Date of Patent: **** Jun. 28, 1994**

[54] **HATCH**

[75] Inventors: **John A. Malmanger, SeaTac; Kim Hunter, Gig Harbor, both of Wash.**

[73] Assignee: **Tempress Incorporated, Seattle, Wash.**

[**] Term: **14 Years**

[21] Appl. No.: **907,204**

[22] Filed: **Jun. 30, 1992**

[52] U.S. Cl. **D25/48**

[58] Field of Search **52/20, 200; 49/477.1, 49/504, 505, DIG. 2; 114/201 R, 202, 201 A; D25/48**

[56] **References Cited**

U.S. PATENT DOCUMENTS

D. 283,548	4/1986	Naka	D25/48
2,141,481	12/1938	Mattingberg	114/201
2,312,155	2/1943	Flaxman	52/20
2,726,623	12/1955	Jernstrom	114/201 R
2,970,347	2/1961	Massopost	49/DIG. 2
3,130,651	4/1964	Werner	94/36
3,209,663	10/1965	Baier	94/35
3,415,014	12/1968	Hamilton	114/202
4,441,278	4/1984	Covey, III	49/477.1
4,443,923	4/1984	Naka	52/20
4,495,731	1/1985	Serno	49/505
4,593,493	6/1986	Naka et al.	49/504
4,665,653	5/1987	Franz et al.	114/201 A
4,846,089	7/1992	Cedergreen	114/201 R

Primary Examiner—A. Hugo Word

Assistant Examiner—Doris Clark

Attorney, Agent, or Firm—Christensen, O'Connor, Johnson and Kindness

[57] **CLAIM**

The ornamental design for a hatch, as shown and described.

DESCRIPTION

FIG. 1 is a perspective view of a hatch showing our new design;

FIG. 2 is a top view thereof;

FIG. 3 is a bottom view thereof;

FIG. 4 is a side elevation view of one side thereof;

FIG. 5 is a side elevation view of the opposite side thereof;

FIG. 6 is an end elevation view thereof, the opposite end being substantially a mirror image thereof;

FIG. 7 is a perspective view of a second embodiment thereof;

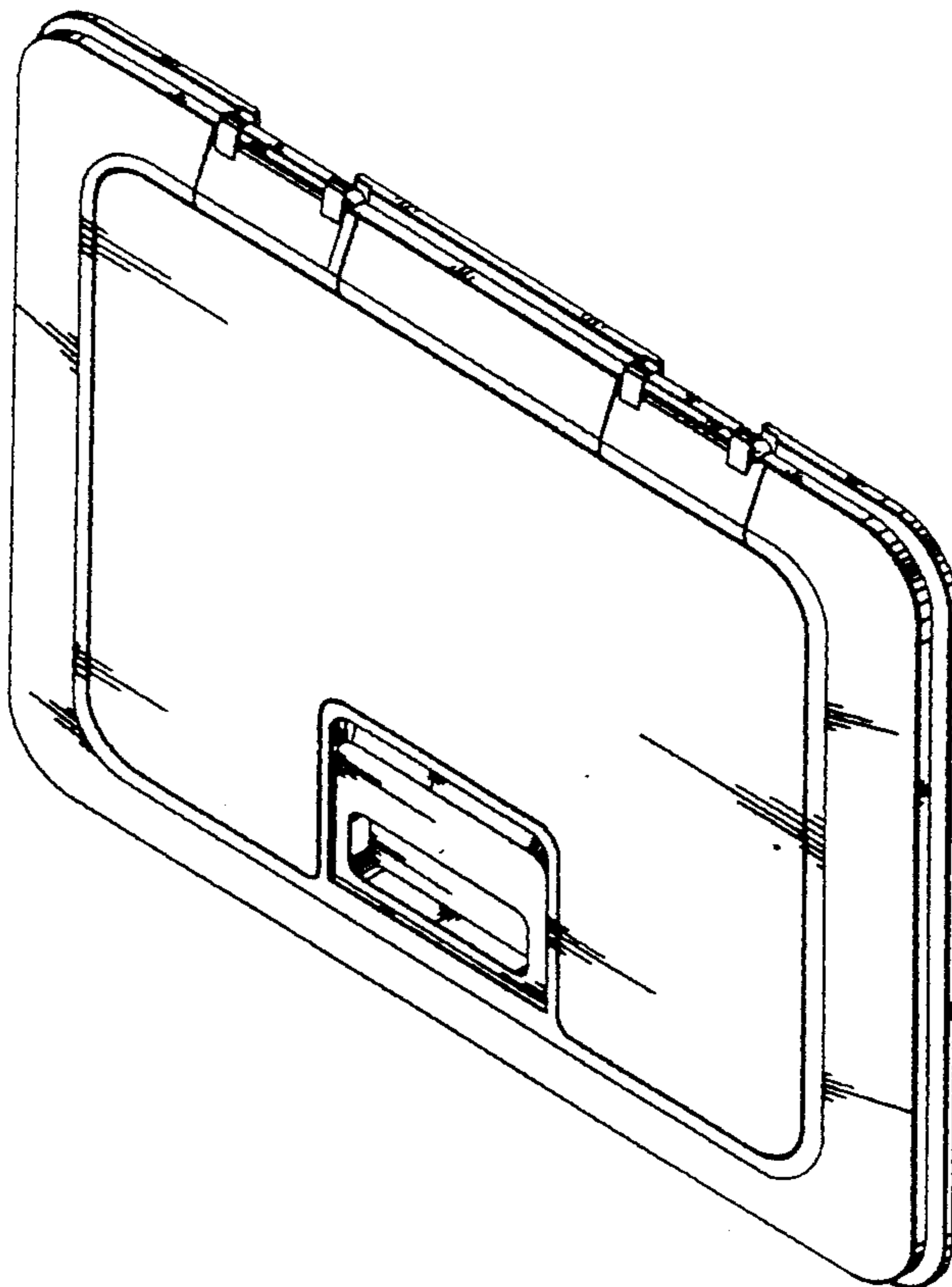
FIG. 8 is a top view of the second embodiment thereof;

FIG. 9 is a bottom view of the second embodiment thereof;

FIG. 10 is a side elevation view of a first side of the second embodiment thereof;

FIG. 11 is a side elevation view of the opposite thereof; and,

FIG. 12 is an end elevation view thereof, the opposite end being substantially a mirror image thereof.



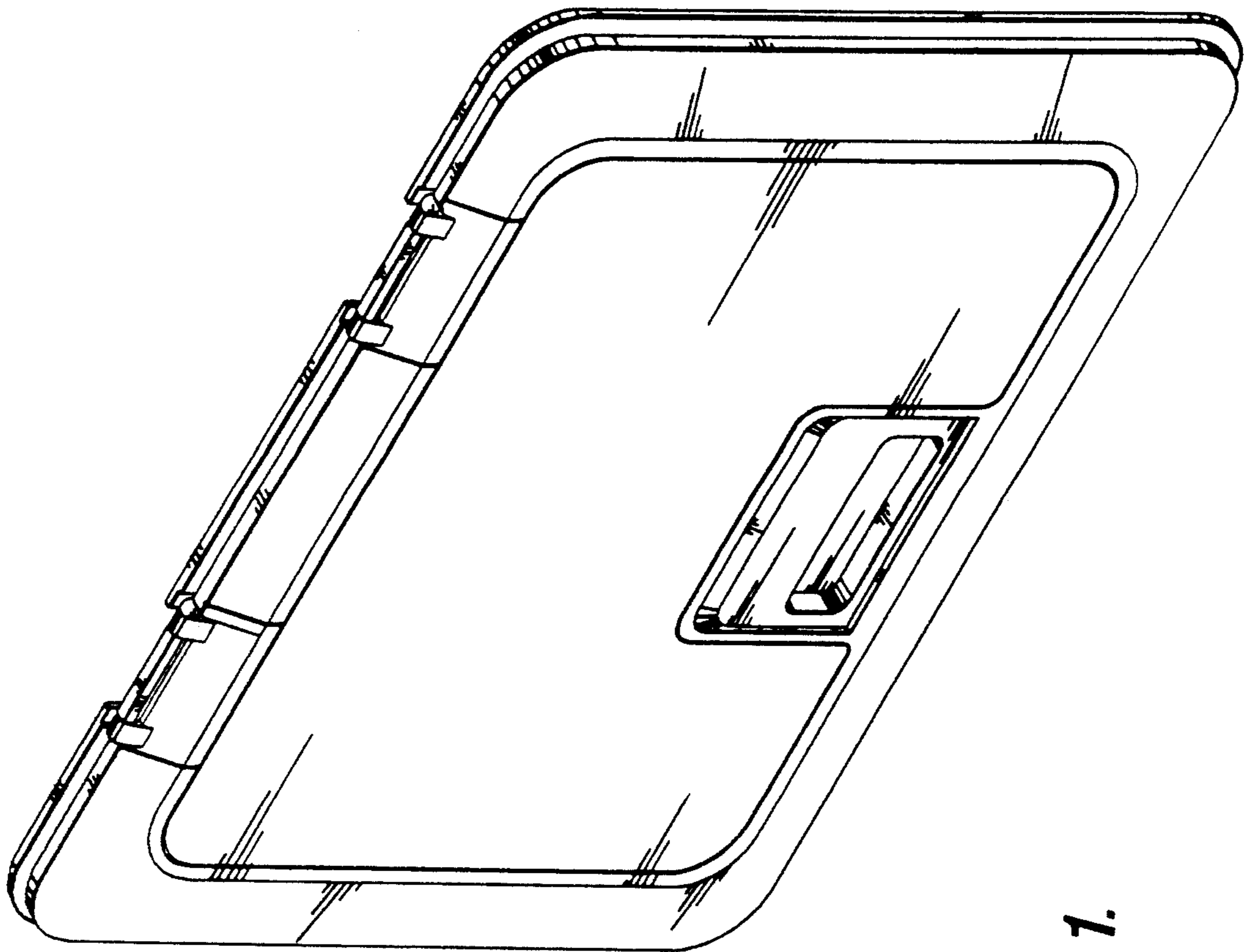


FIG. 1.

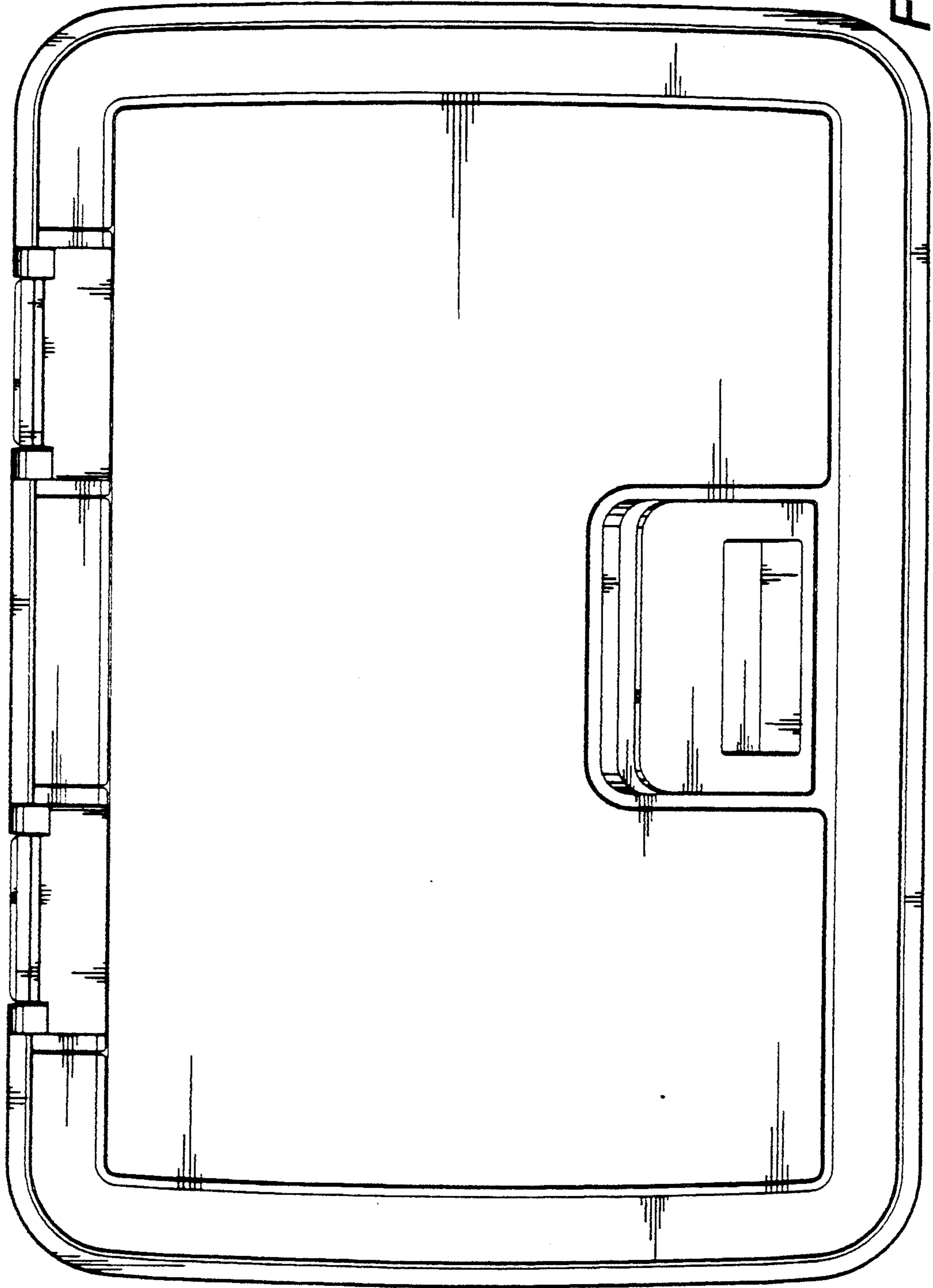


FIG. 2.

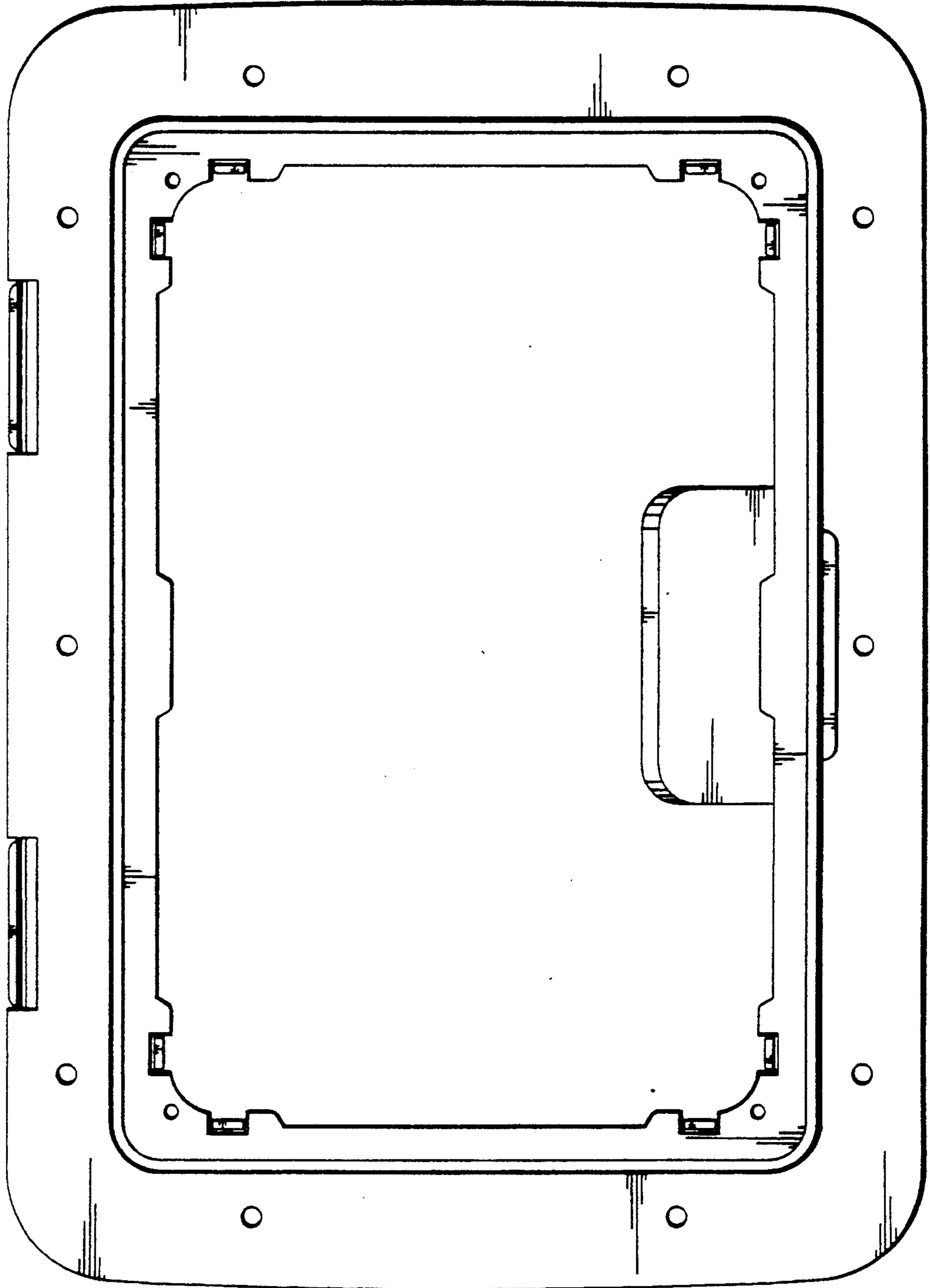


FIG. 3.

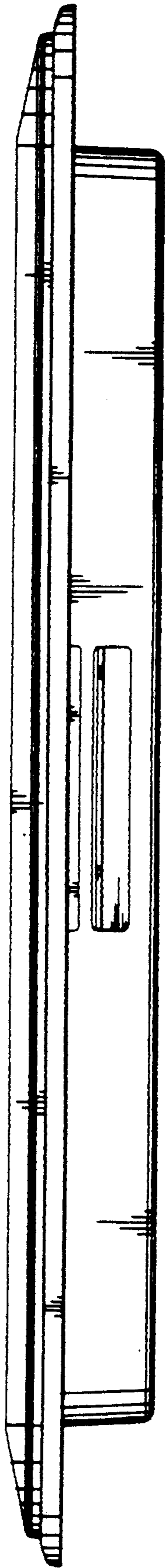


FIG. 4.



FIG. 5.

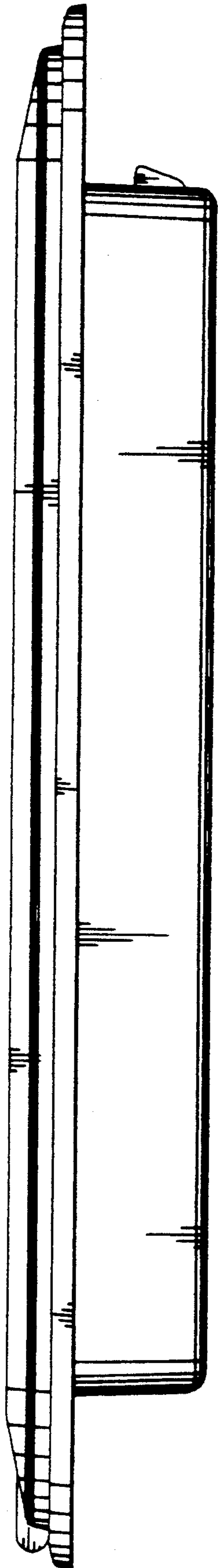


FIG. 6.

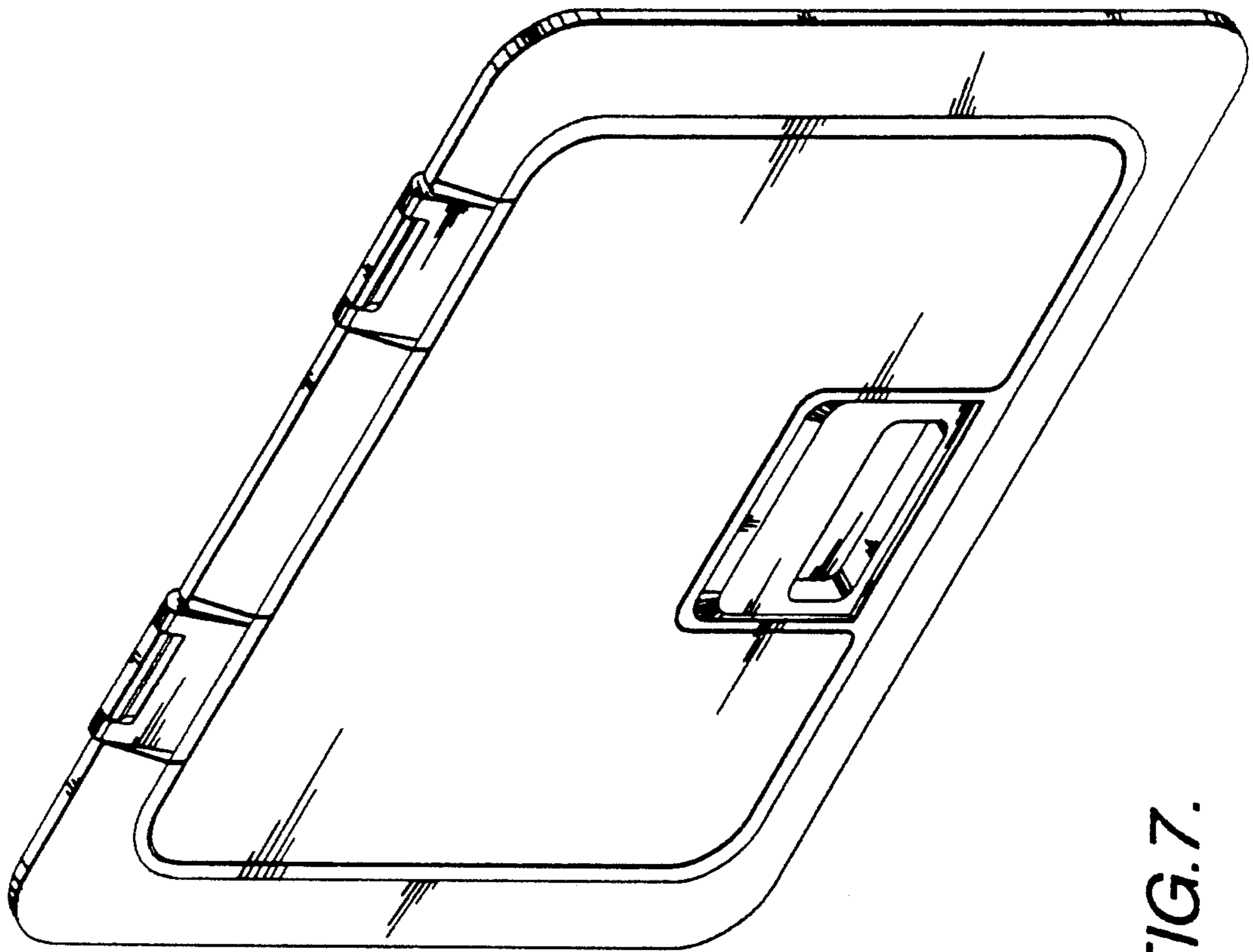


FIG. 7.

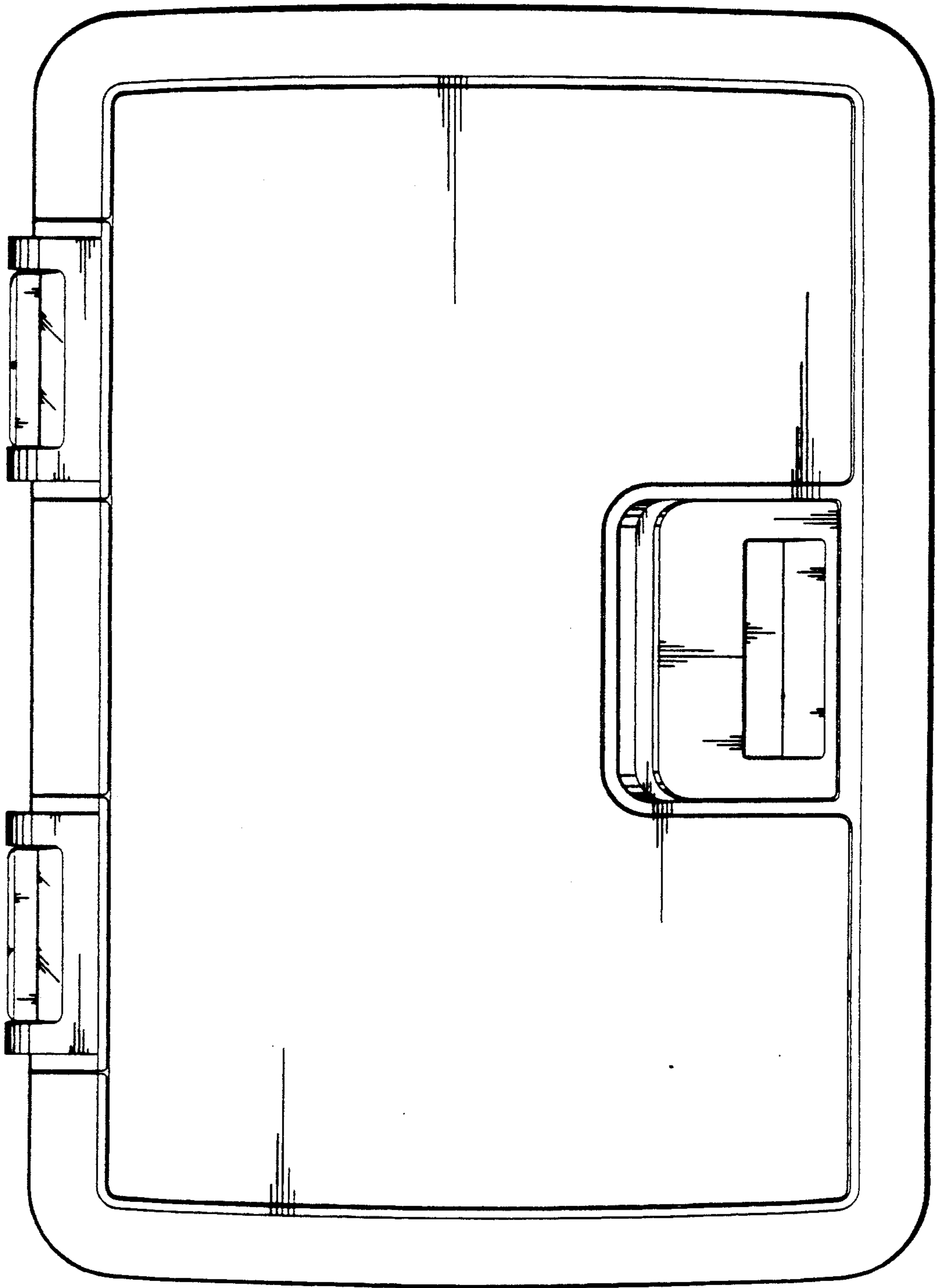


FIG. 8.

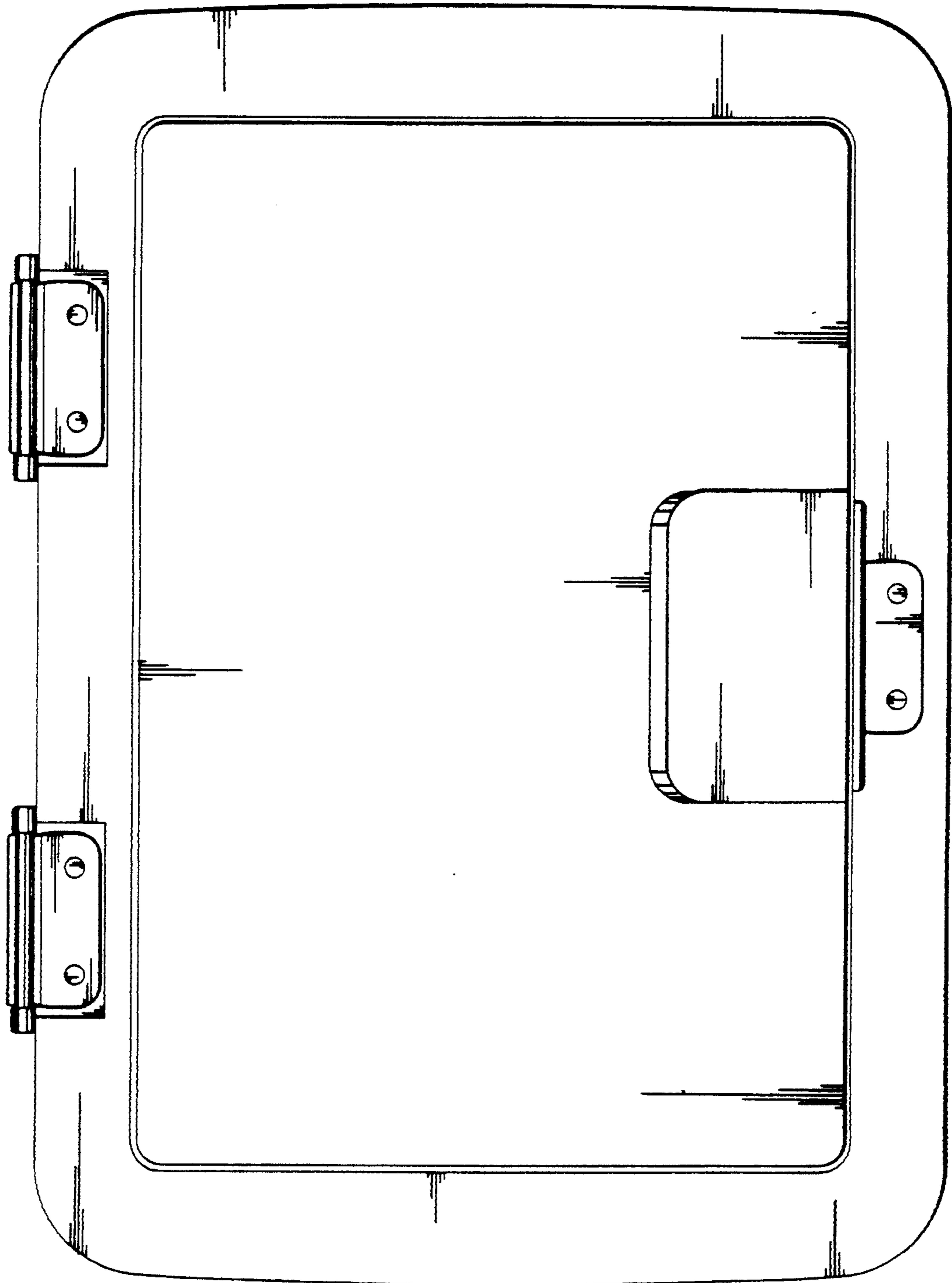


FIG. 9.

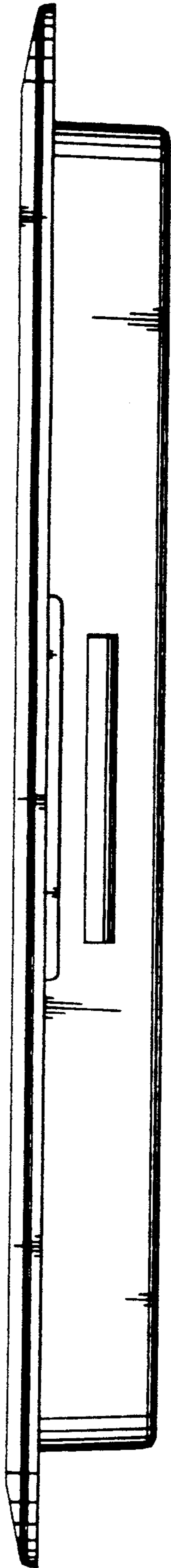


FIG. 10.

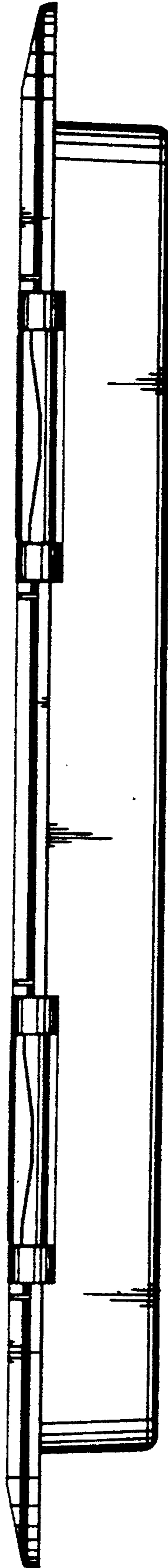


FIG. 11.

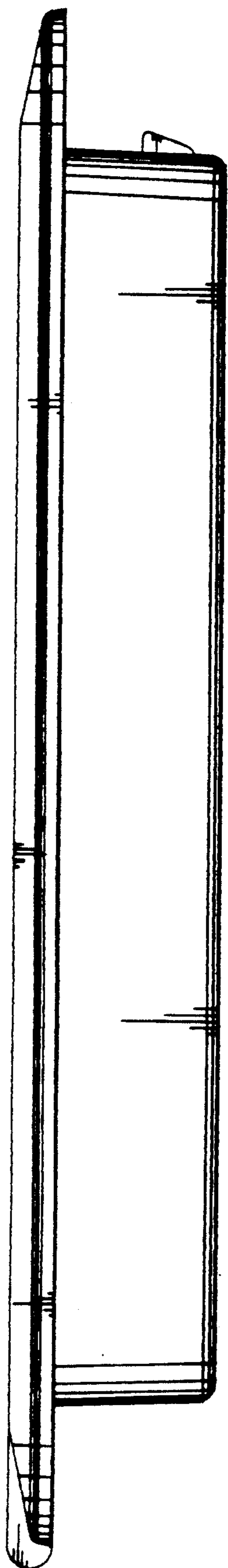


FIG. 12.