



US00D348314S

**United States Patent** [19]  
**Schoenheit**

[11] **Patent Number: Des. 348,314**  
[45] **Date of Patent: \*\* Jun. 28, 1994**

[54] **BATON PULL FOR FIREPLACE SCREEN**

1,442,181 1/1923 Simon ..... D8/83  
2,695,157 11/1954 Wilson ..... 294/92

[75] Inventor: **Ronald A. Schoenheit**, Lake Oswego, Oreg.

[73] Assignee: **Cascade Coil Drapery, Inc.**, Portland, Oreg.

[\*\*] Term: **14 Years**

[21] Appl. No.: **890**

[22] Filed: **Oct. 28, 1992**

[52] U.S. Cl. .... **D23/403; D8/14**

[58] Field of Search ..... **D8/107, 83, 14, DIG. 7; 294/9, 14, 12, 92; 29/270, 278; D23/403**

[56] **References Cited**

**U.S. PATENT DOCUMENTS**

170,354 11/1875 Dulin ..... 294/92  
1,184,455 5/1916 Williams ..... 294/92

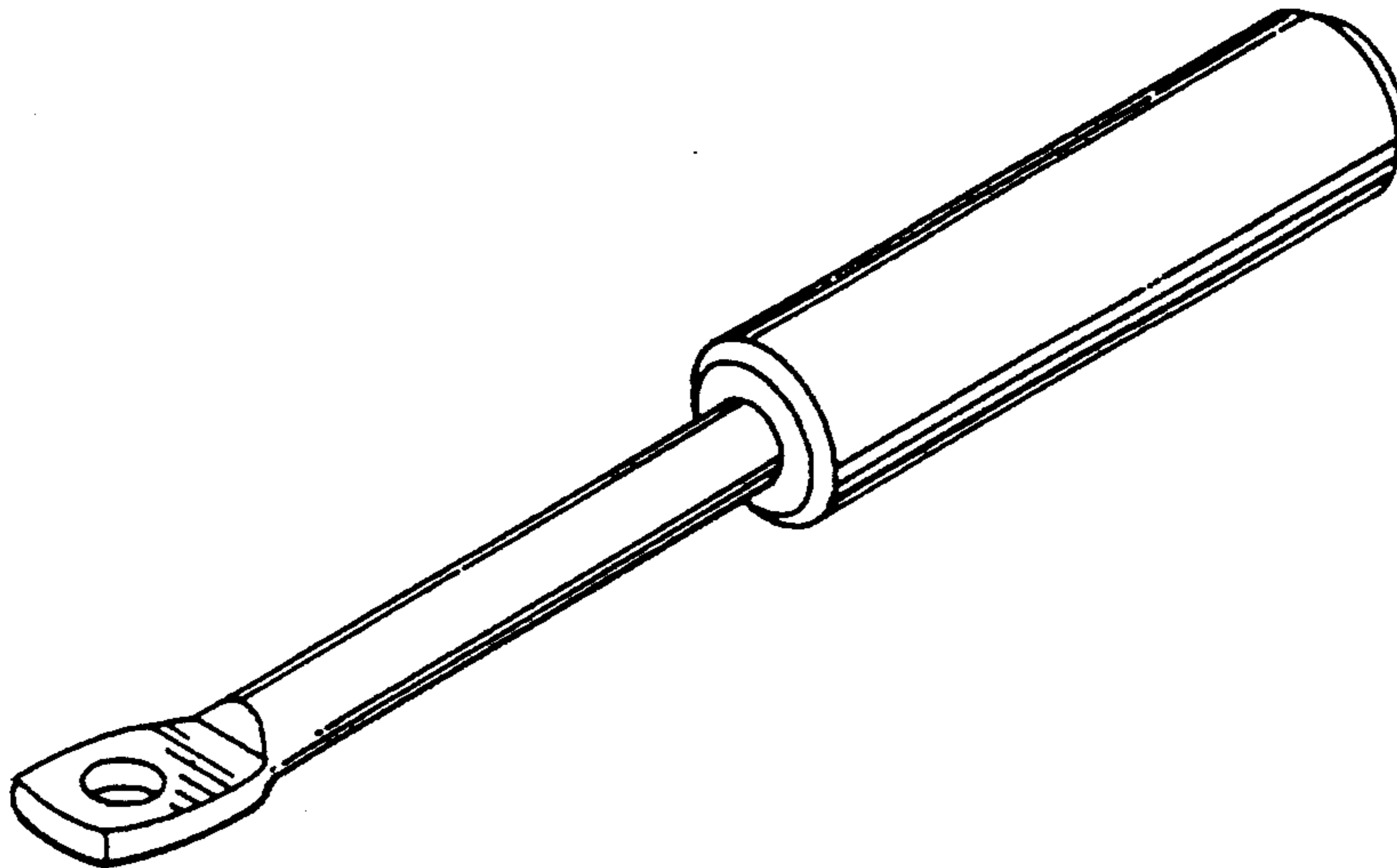
*Primary Examiner*—Wallace R. Burke  
*Assistant Examiner*—Lisa Lichtenstein  
*Attorney, Agent, or Firm*—Kolisich, Hartwell, Dickinson, McCormack & Heuser

[57] **CLAIM**

The ornamental design for a baton pull for fireplace screen, as shown and described.

**DESCRIPTION**

FIG. 1 is a perspective view of a baton pull for fireplace screen showing my new design;  
FIG. 2 is an enlarged top plan view thereof;  
FIG. 3 is an enlarged left side elevational view thereof, the right side being a mirror image of that shown;  
FIG. 4 is an enlarged bottom plan view thereof;  
FIG. 5 is an enlarged front elevation view thereof; and,  
FIG. 6 is an enlarged rear elevation view thereof.



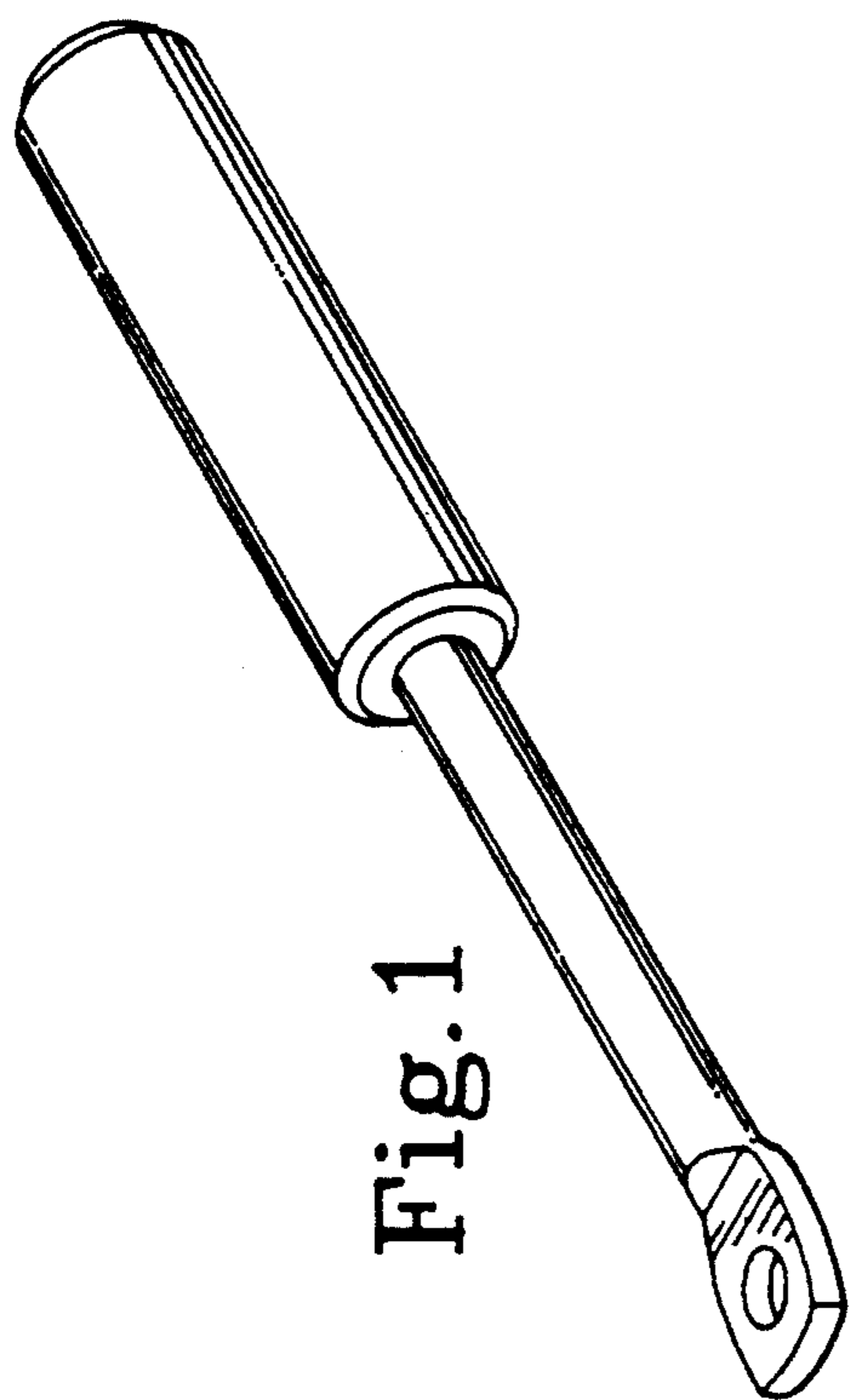


Fig. 1

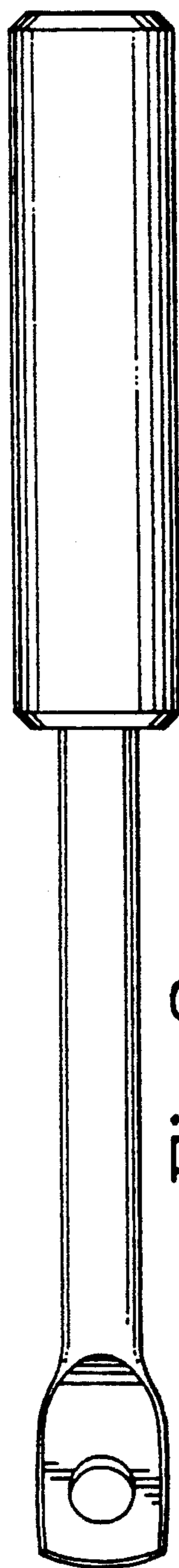


Fig. 2

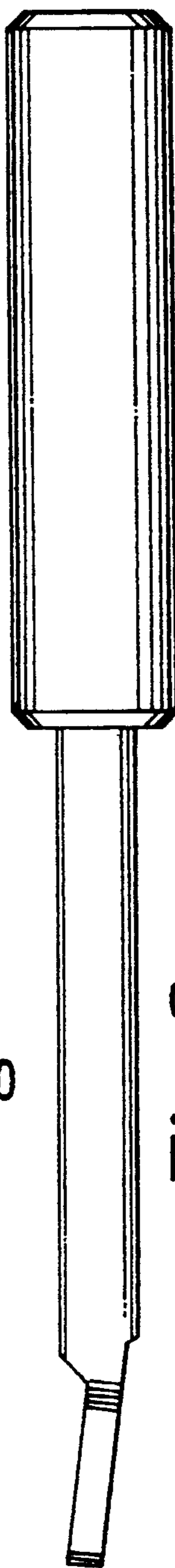


Fig. 3

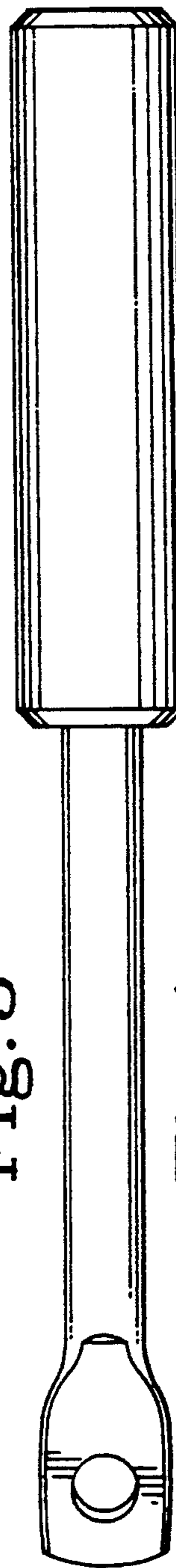


Fig. 4

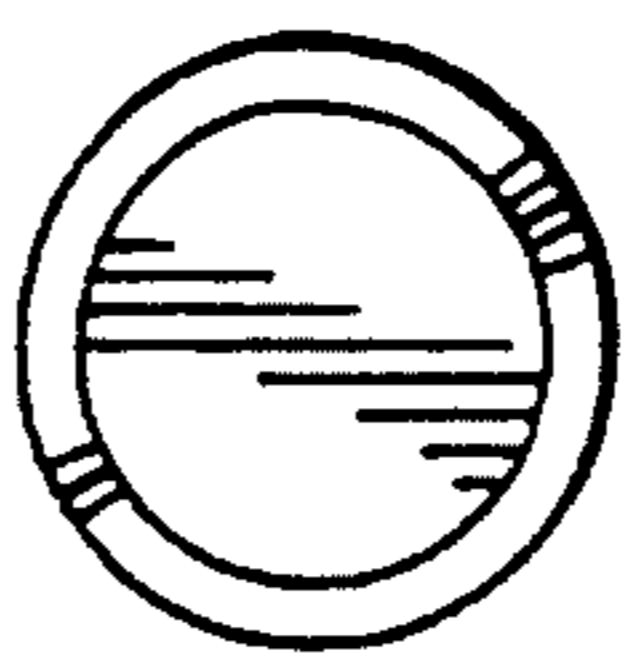


Fig. 6

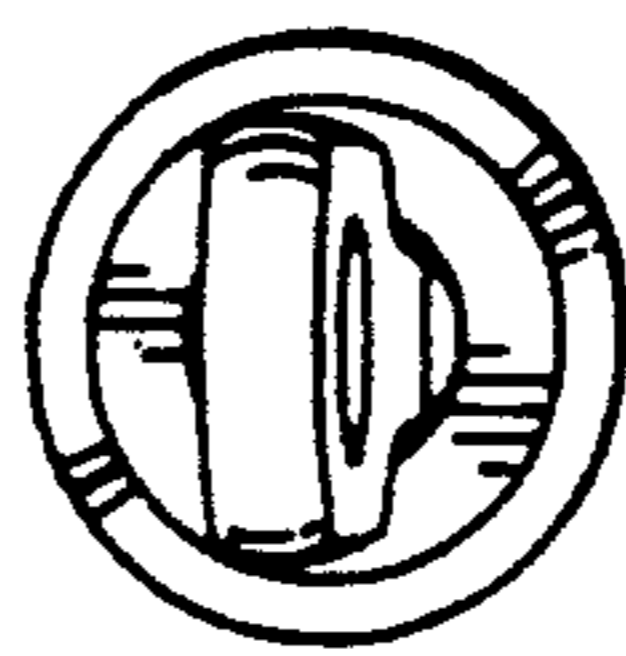


Fig. 5