



US00D348311S

# United States Patent [19]

[11] Patent Number: **Des. 348,311**

Witzig

[45] Date of Patent: **\*\* Jun. 28, 1994**

[54] COVER FOR CONCEALED TOILET FLUSH TANK

3,968,525 7/1976 Alexander ..... 4/410

[75] Inventor: Uli Witzig, Wolfhausen, Switzerland

### FOREIGN PATENT DOCUMENTS

[73] Assignee: Geberit AG, Jona, Switzerland

1342708 1/1974 United Kingdom ..... 4/353

[\*\*] Term: 14 Years

Primary Examiner—James R. Largen  
Attorney, Agent, or Firm—McGlew and Tuttle

[21] Appl. No.: 951,543

### [57] CLAIM

[22] Filed: Sep. 24, 1992

The ornamental design for a cover for concealed toilet flush tank, as shown and described.

### [30] Foreign Application Priority Data

### DESCRIPTION

Mar. 26, 1992 [CH] Switzerland ..... DM/002407

[52] U.S. Cl. .... D23/313

[58] Field of Search ..... 4/353, 378, 408, 409, 4/410, 419; D23/295-301, 313

FIG. 1 is a perspective view taken from the top, front and right side of a cover for a concealed toilet flush tank showing my new design;

FIG. 2 is a rear elevational view thereof;

FIG. 3 is a front elevational view thereof;

FIG. 4 is a right side elevational view thereof;

FIG. 5 is a left side elevational view thereof;

FIG. 6 is a bottom plan view thereof; and,

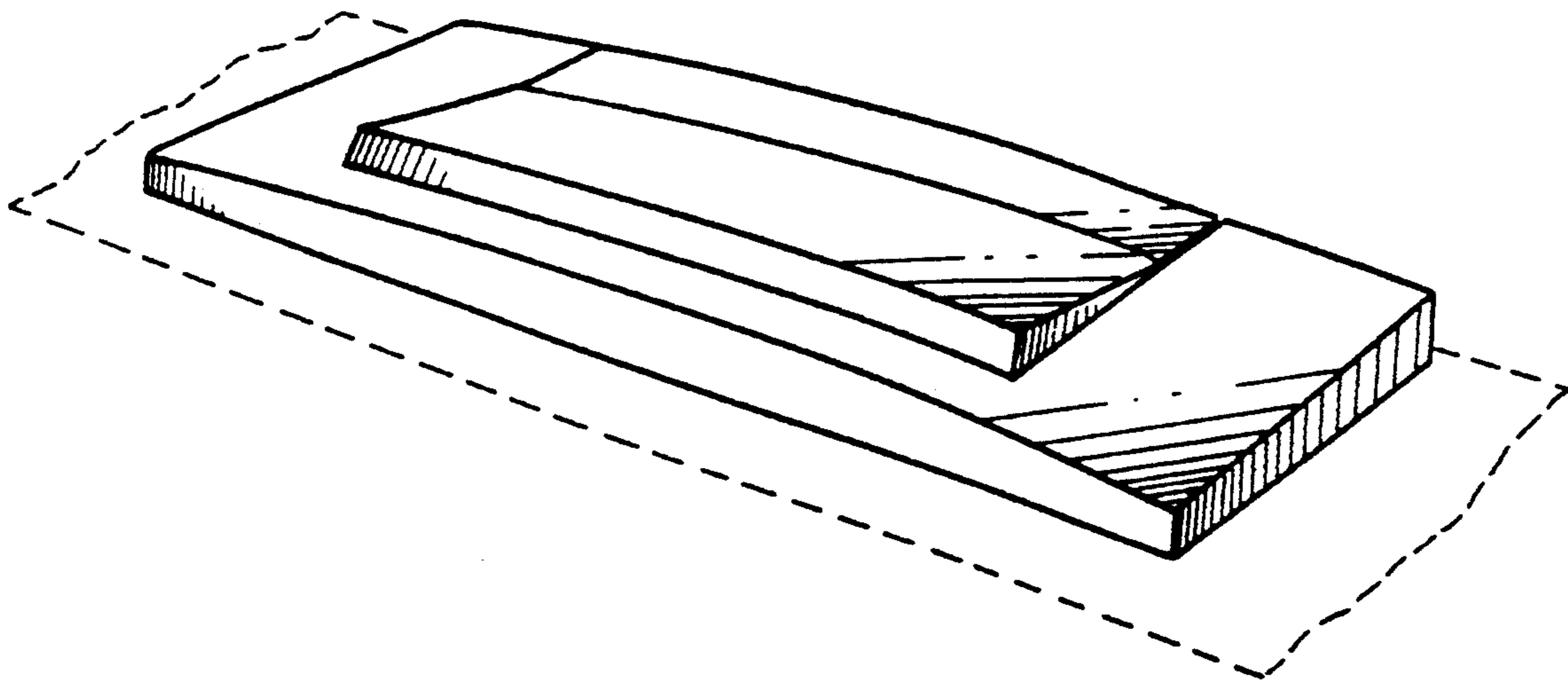
FIG. 7 is a top plan view thereof.

The fragmentary broken line representation of a bathroom wall in FIG. 1 is for purposes of illustration only and forms no part of the claimed design.

### [56] References Cited

#### U.S. PATENT DOCUMENTS

- D. 95,209 4/1935 Morgan ..... D23/301
- D. 101,536 10/1936 Karstadt ..... D23/301
- D. 125,055 2/1941 Lewis ..... D23/301
- D. 237,886 12/1975 Korol ..... D23/313
- D. 262,647 1/1982 Kaiser ..... D23/301
- 3,760,428 9/1973 Korol ..... 4/353



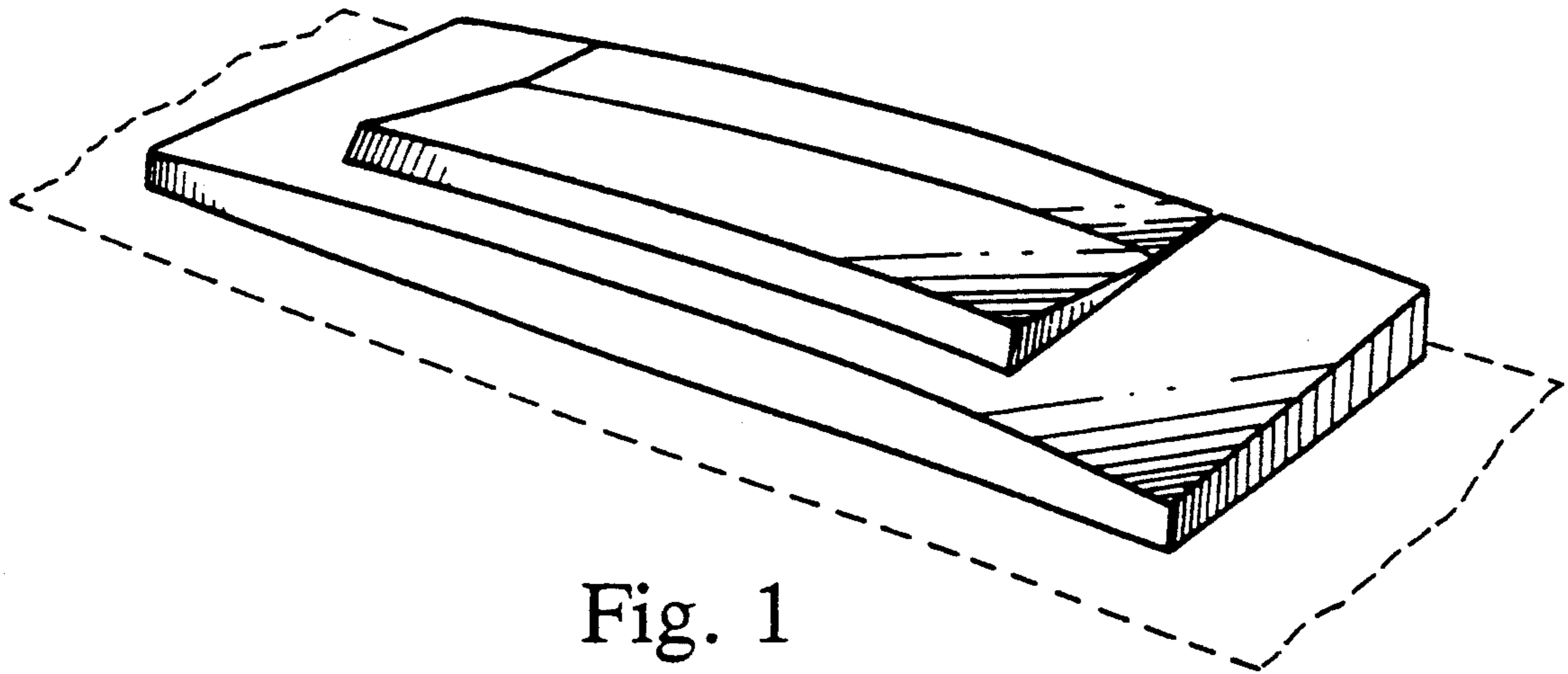


Fig. 1



Fig. 2

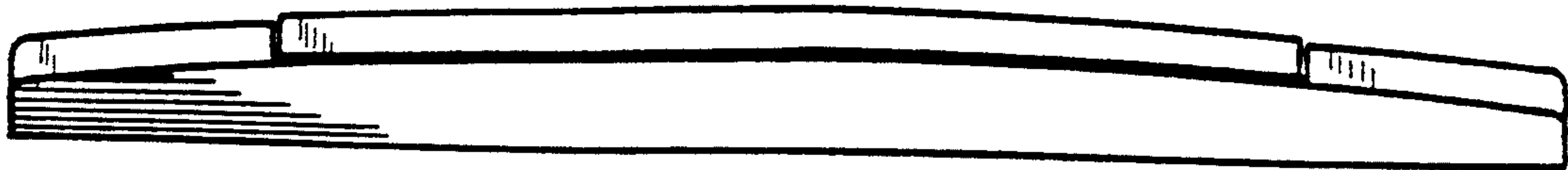


Fig. 3

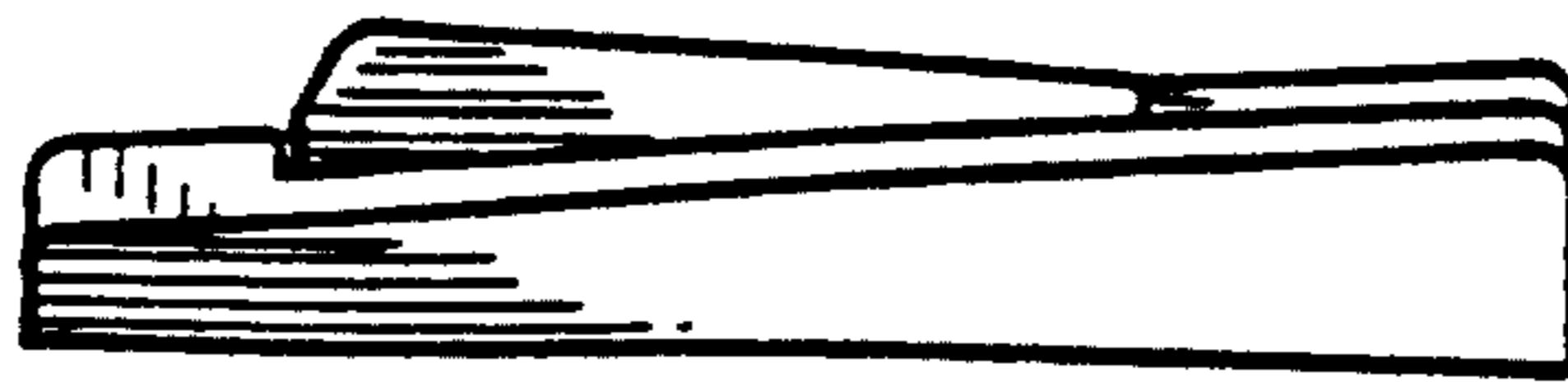


Fig. 4

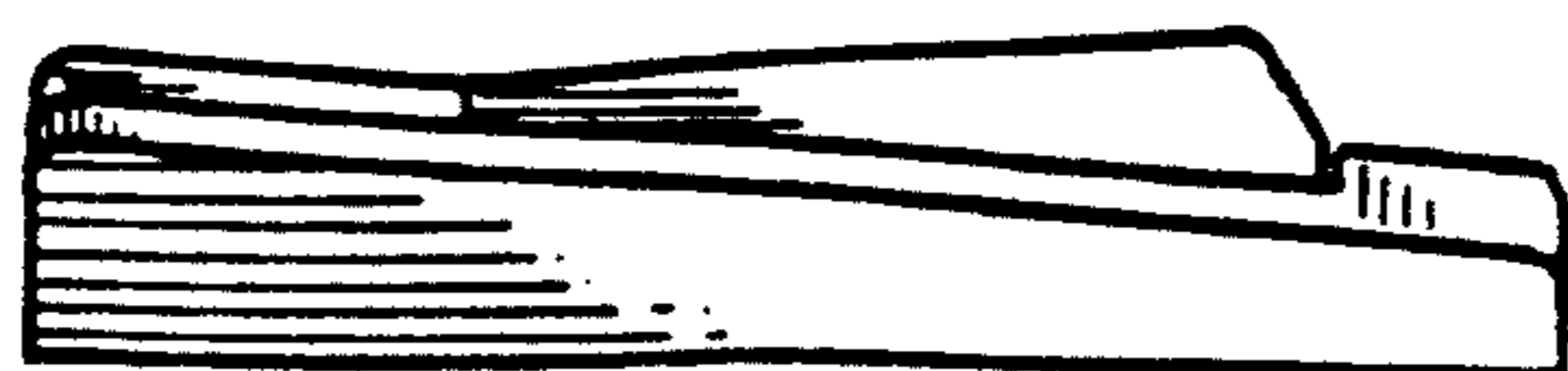


Fig. 5

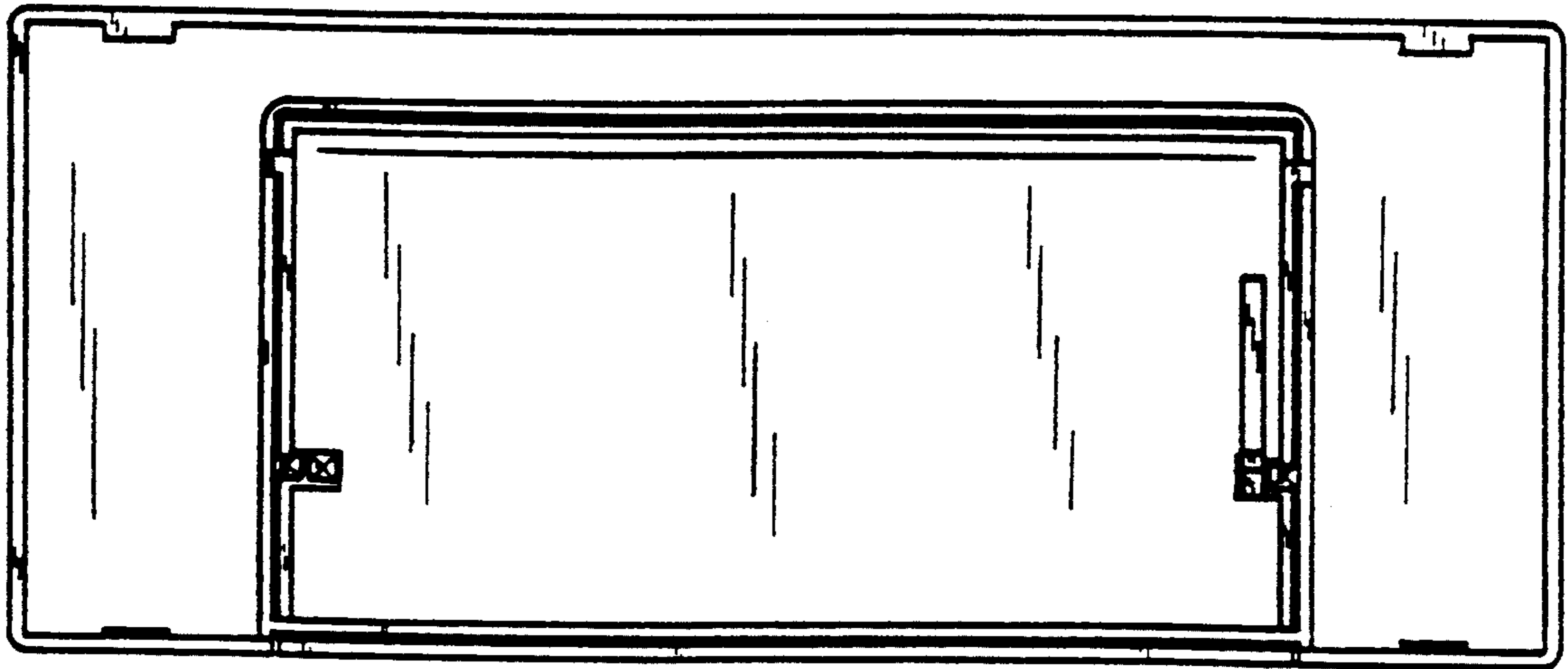


Fig. 6

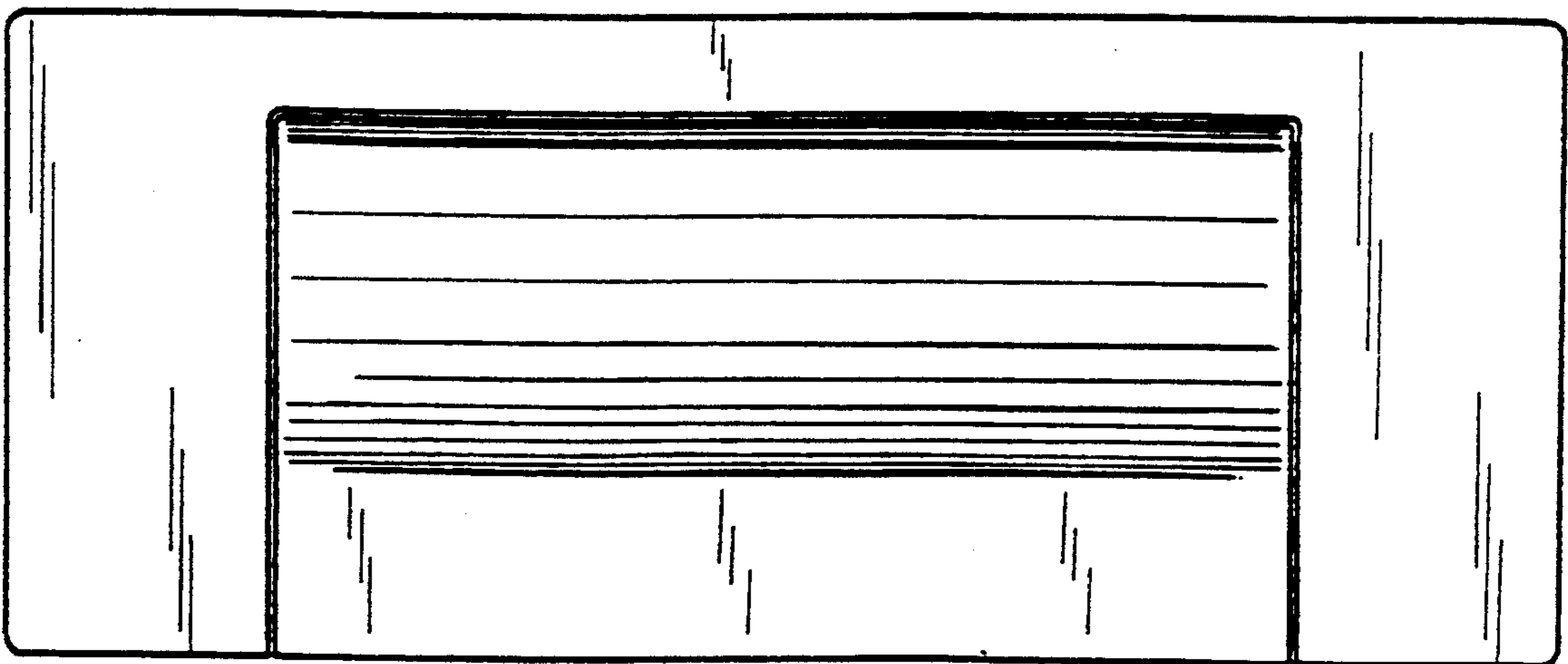


Fig. 7