



US00D348308S

United States Patent [19]

[11] Patent Number: **Des. 348,308**

Ohaus et al.

[45] Date of Patent: **** Jun. 28, 1994**

[54] LAVATORY

[75] Inventors: **Karl G. Ohaus**, Chatham; **Jeannette M. Long**, Lawrenceville; **David A. Boncher**, Phillipsburg; **Gordon E. Eitel**, Colonia, all of N.J.

[73] Assignee: **American Standard Inc.**, New York, N.Y.

[**] Term: **14 Years**

[21] Appl. No.: **689,603**

[22] Filed: **Apr. 23, 1991**

[52] U.S. Cl. **D23/294**

[58] Field of Search **D23/270-274, D23/284-294, 308, 619, 630-640, 651**

[56] References Cited

U.S. PATENT DOCUMENTS

D. 240,825	8/1976	Gruber	D23/294
3,577,572	5/1971	Ruggles et al.	4/631
4,937,899	7/1990	Morris et al.	4/651

OTHER PUBLICATIONS

Pages 13 and 19 from undated Alape brochure.

Primary Examiner—James R. Largen
Attorney, Agent, or Firm—Elaine B. Robinson; Ann M. Knab

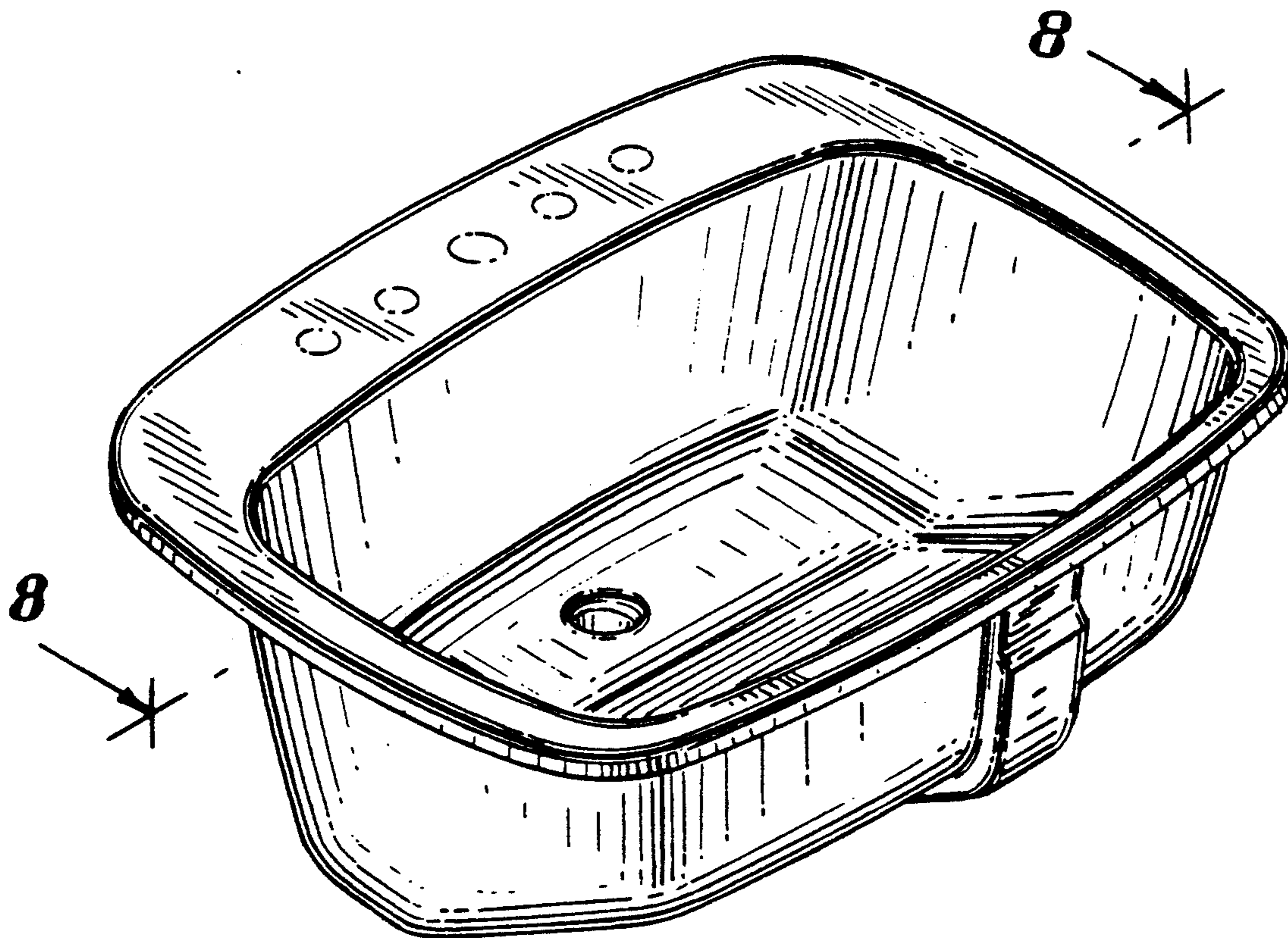
[57] CLAIM

The ornamental design for a lavatory, as shown and described.

DESCRIPTION

FIG. 1 is a top, front and left side perspective view of a lavatory showing our new design; FIG. 2 is a top plan view thereof; FIG. 3 is a front elevational view thereof; FIG. 4 is a right side elevational view thereof; FIG. 5 is a left side elevational view thereof; FIG. 6 is a rear elevational view thereof; FIG. 7 is a bottom plan view thereof; and, FIG. 8 is a cross sectional view taken on line 8—8 of FIG. 1.

The broken line representation of openings for fittings in FIGS. 1, 2, and 7 are for purposes of illustration only and form no part of the claimed design.



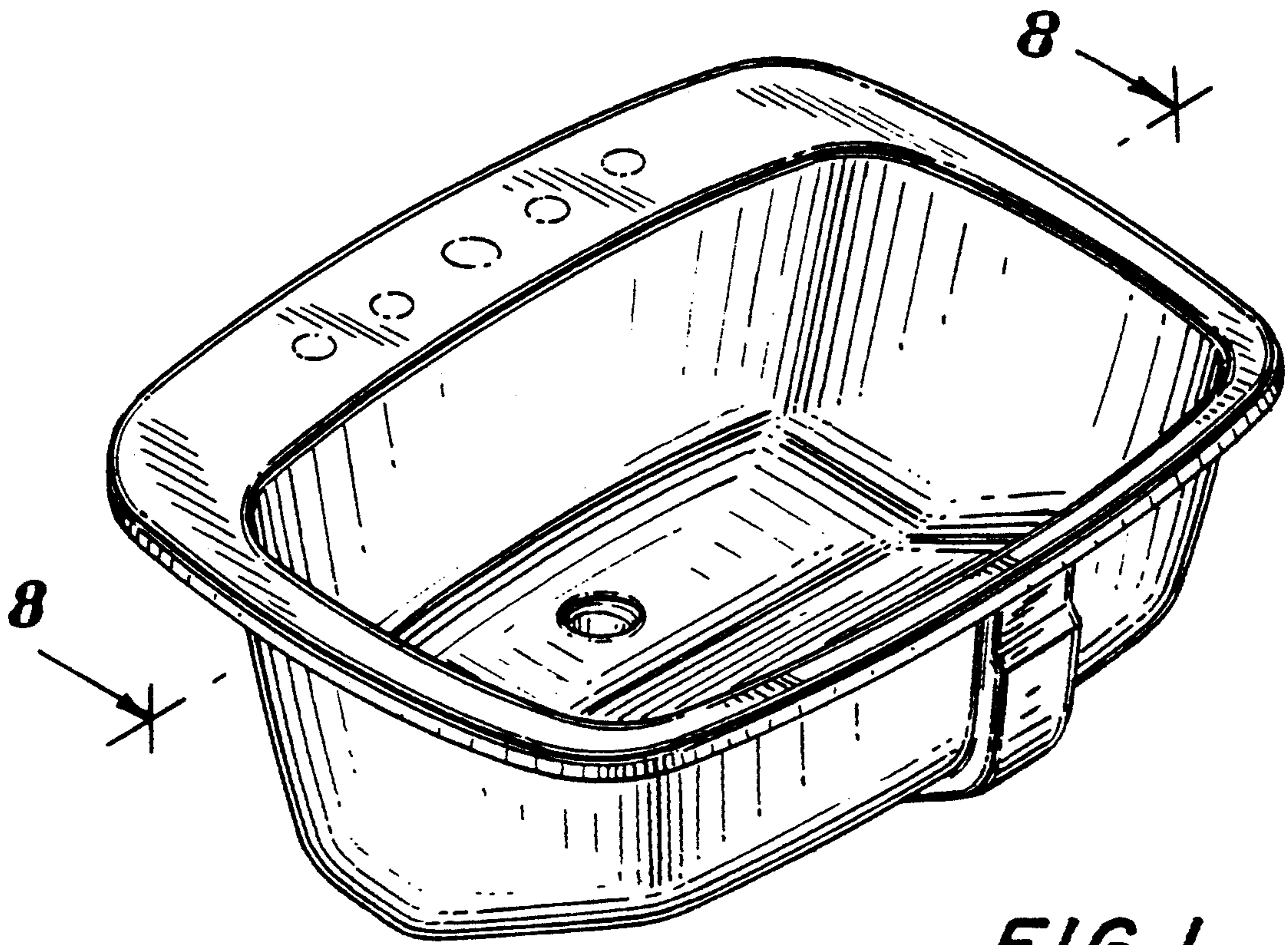


FIG. 1

FIG. 8

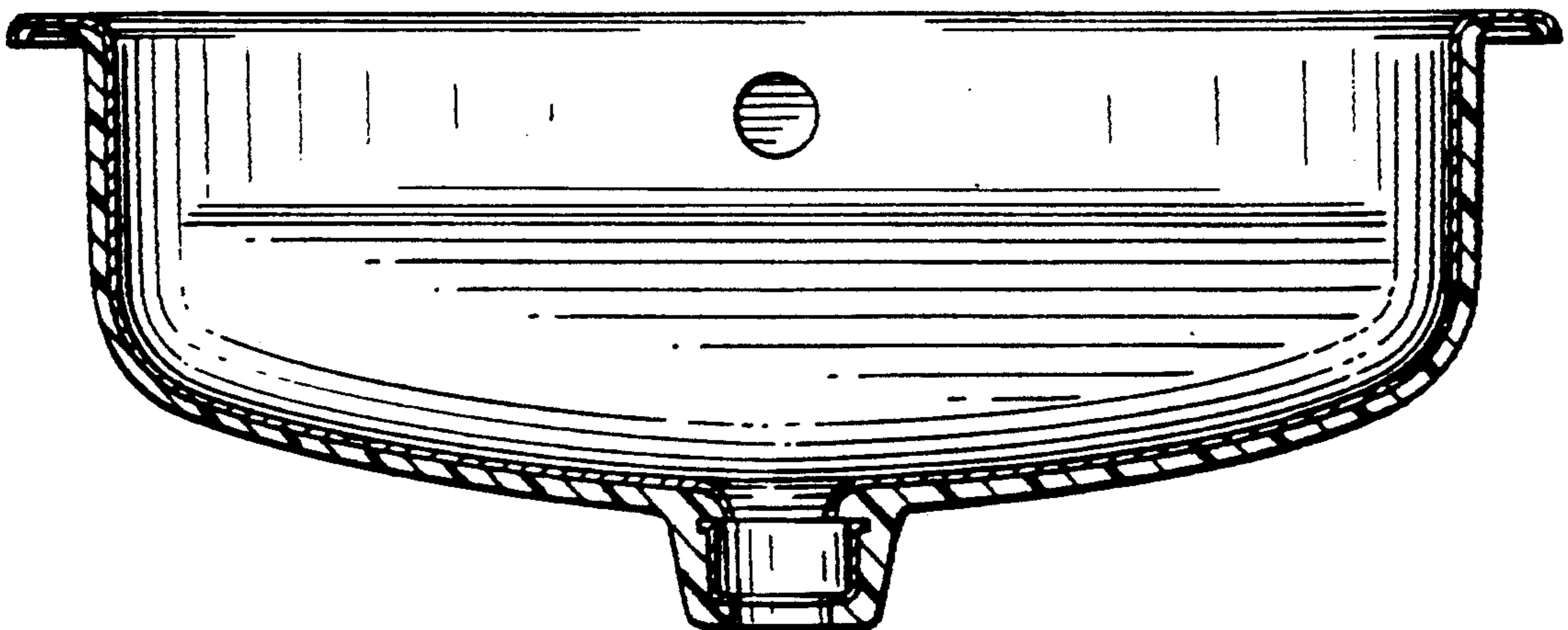


FIG. 2

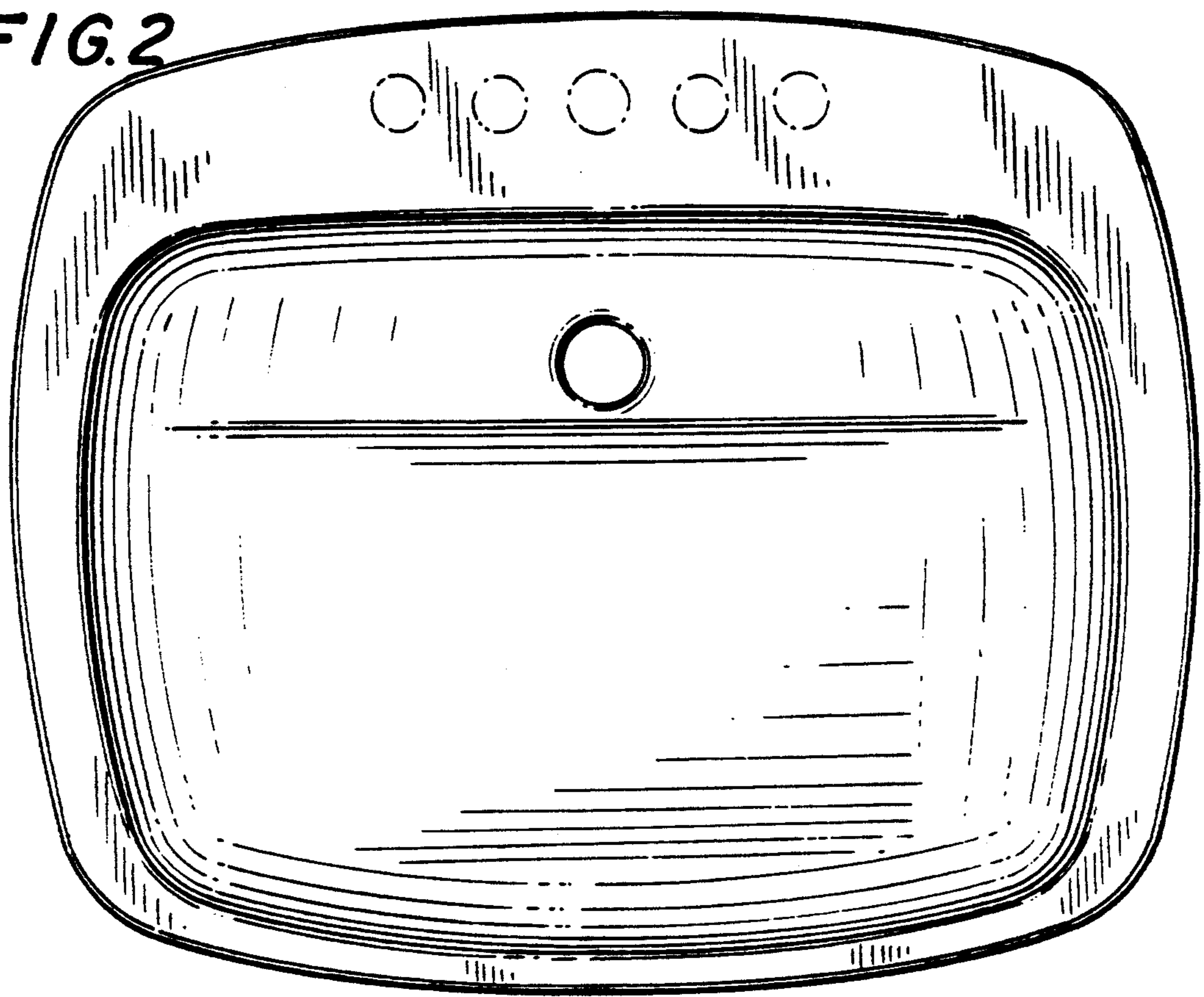


FIG. 3

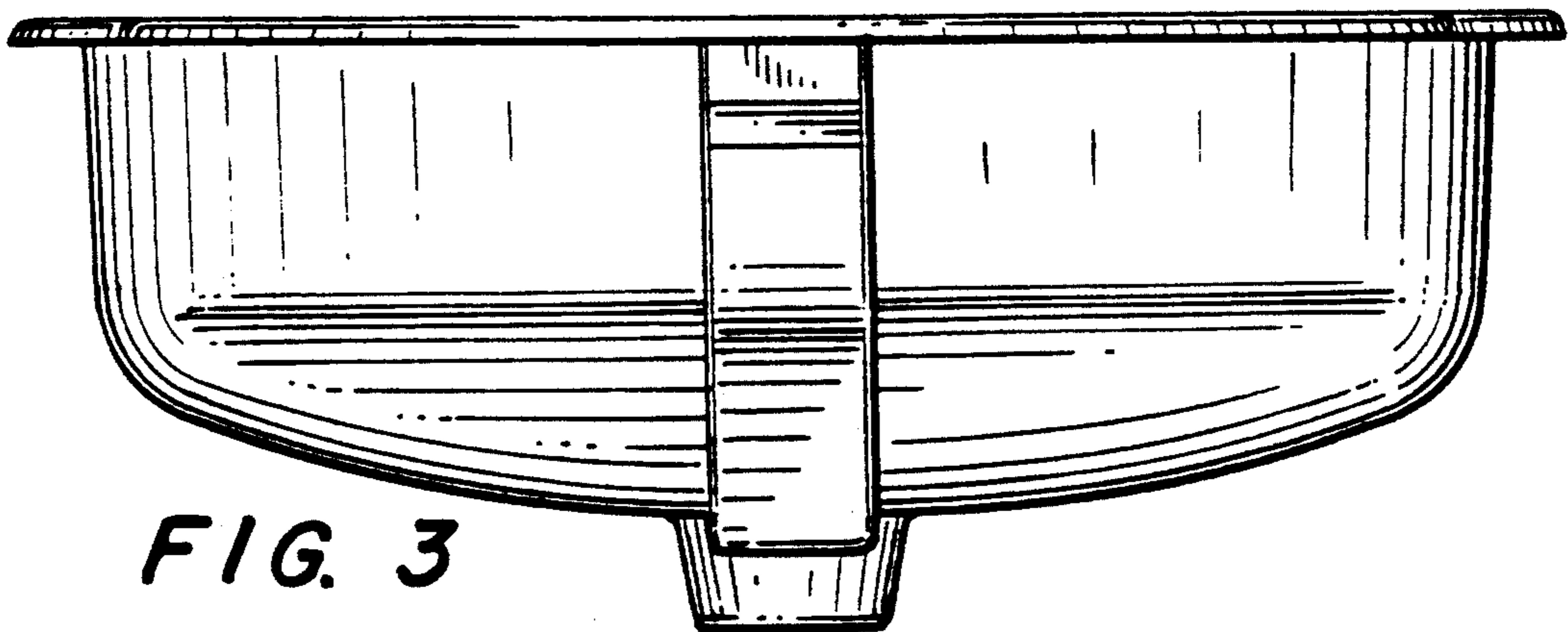
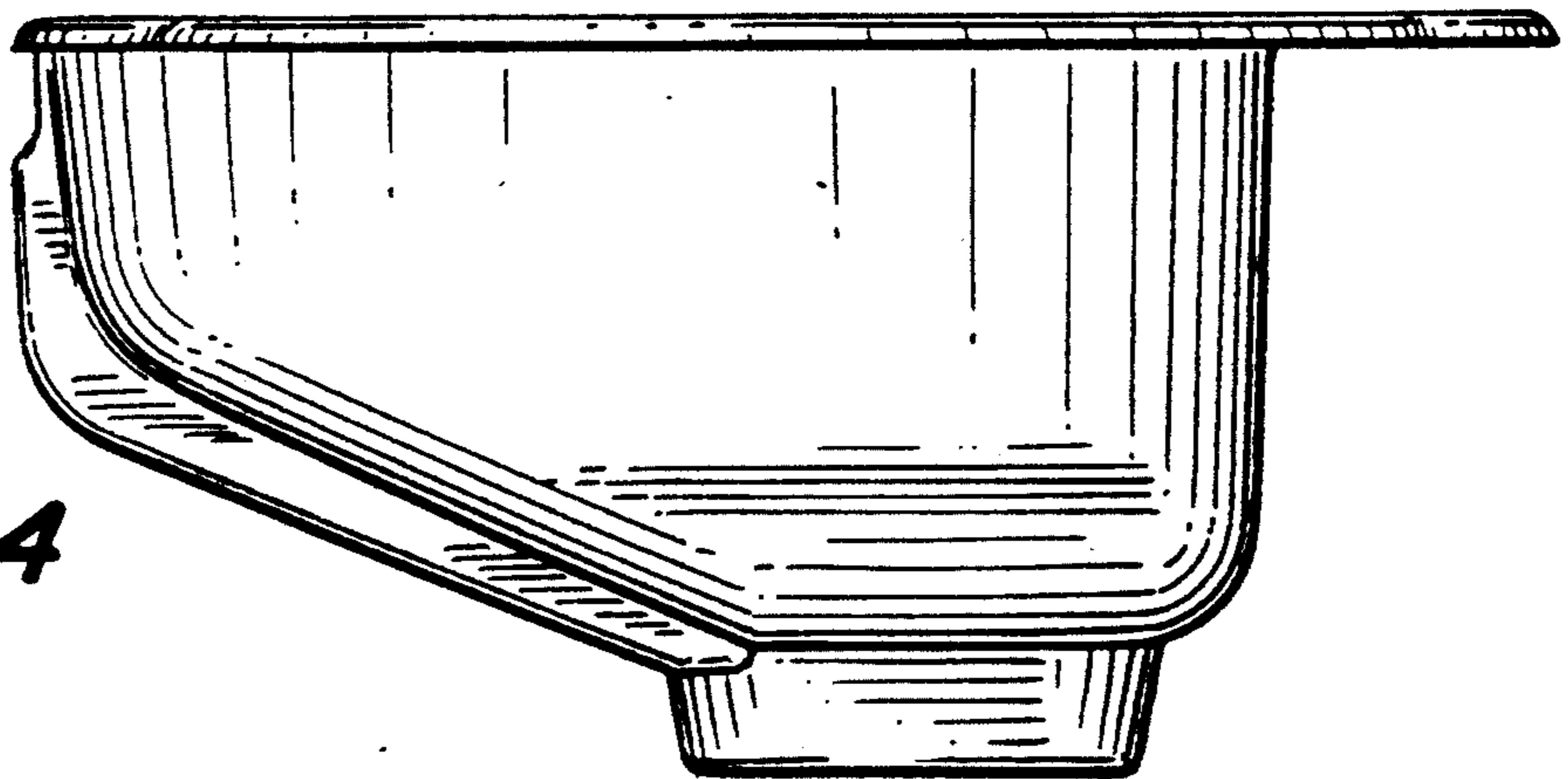


FIG. 4



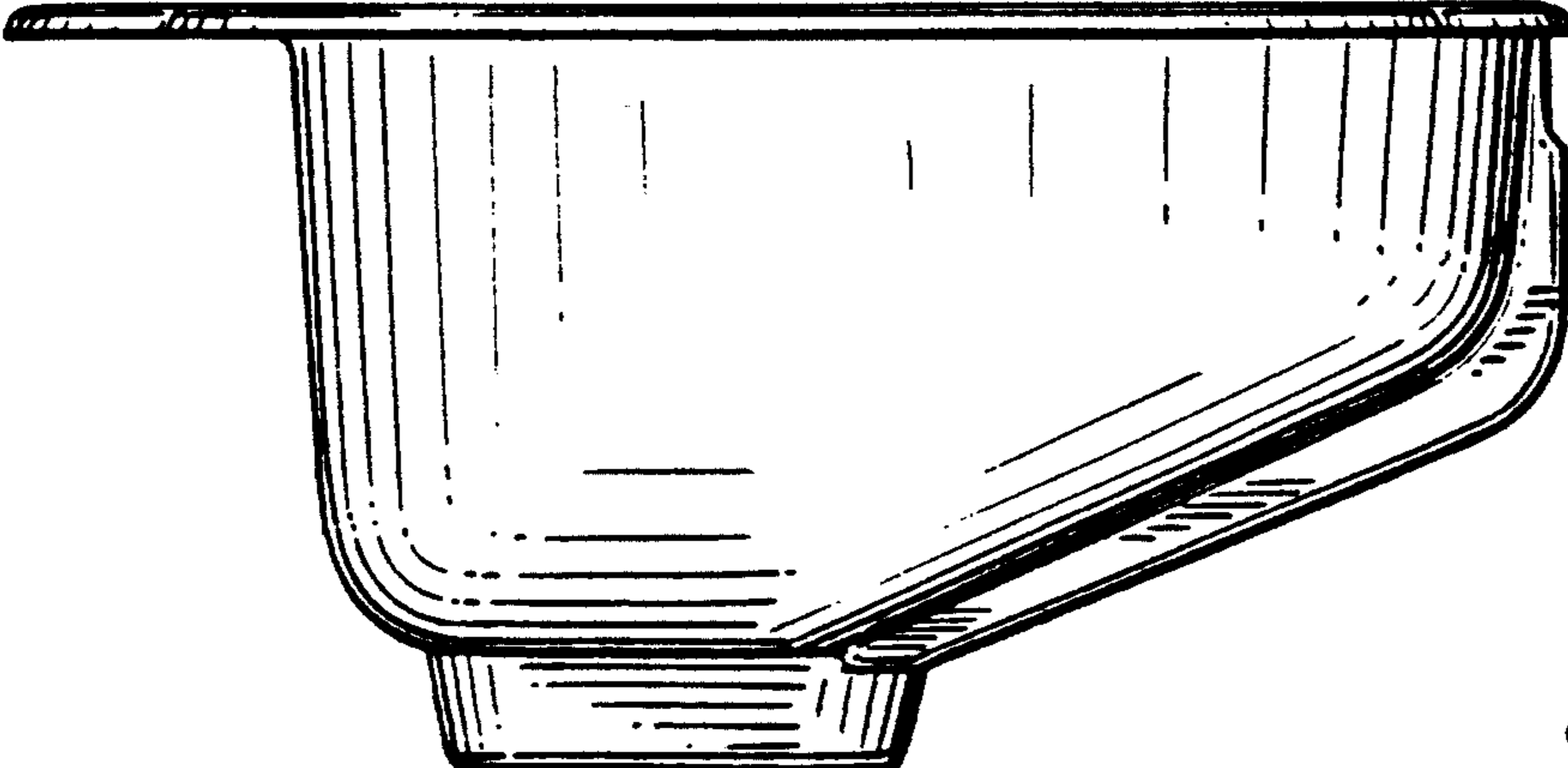


FIG. 5

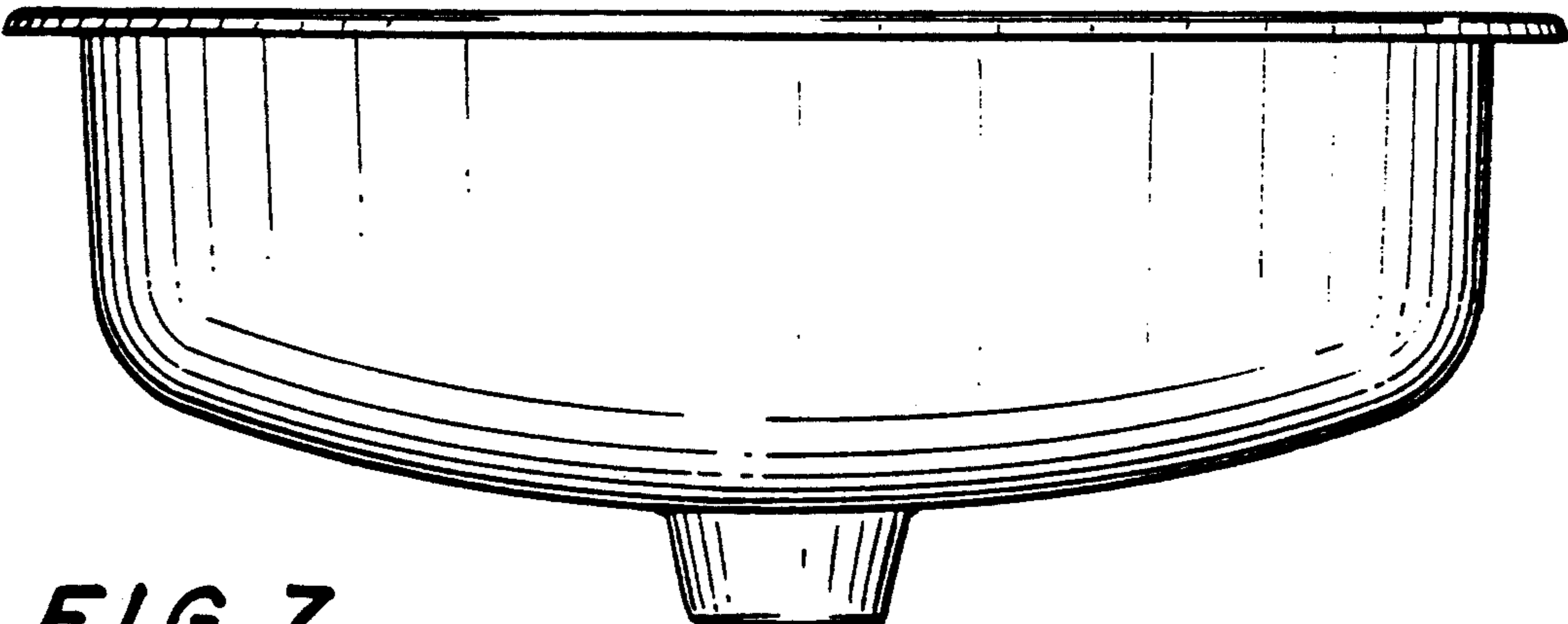


FIG. 6

FIG. 7

