



US00D348306S

United States Patent [19]

[11] Patent Number: **Des. 348,306**

Parker

[45] Date of Patent: **** Jun. 28, 1994**

[54] **VALVE LOCK**

[76] Inventor: **Rufus A. Parker**, P.O. Box 1311,
Denver, Colo. 80201

[**] Term: **14 Years**

[21] Appl. No.: **820,233**

[22] Filed: **Jan. 14, 1992**

[52] U.S. Cl. **D23/249**

[58] Field of Search 137/382, 383, 384.2,
137/385; 251/98, 99, 292, 306; D23/249, 260,
259

[56] **References Cited**

U.S. PATENT DOCUMENTS

440,714 11/1890 Lamb et al. 137/385 X

1,947,081 2/1934 Grady et al. .
4,352,370 10/1982 Childress 137/383 X
5,092,359 3/1992 Wirta et al. 137/383 X

Primary Examiner—Stella Reid
Assistant Examiner—Eric Watterson

[57] **CLAIM**

The ornamental design for a valve lock, as shown and described.

DESCRIPTION

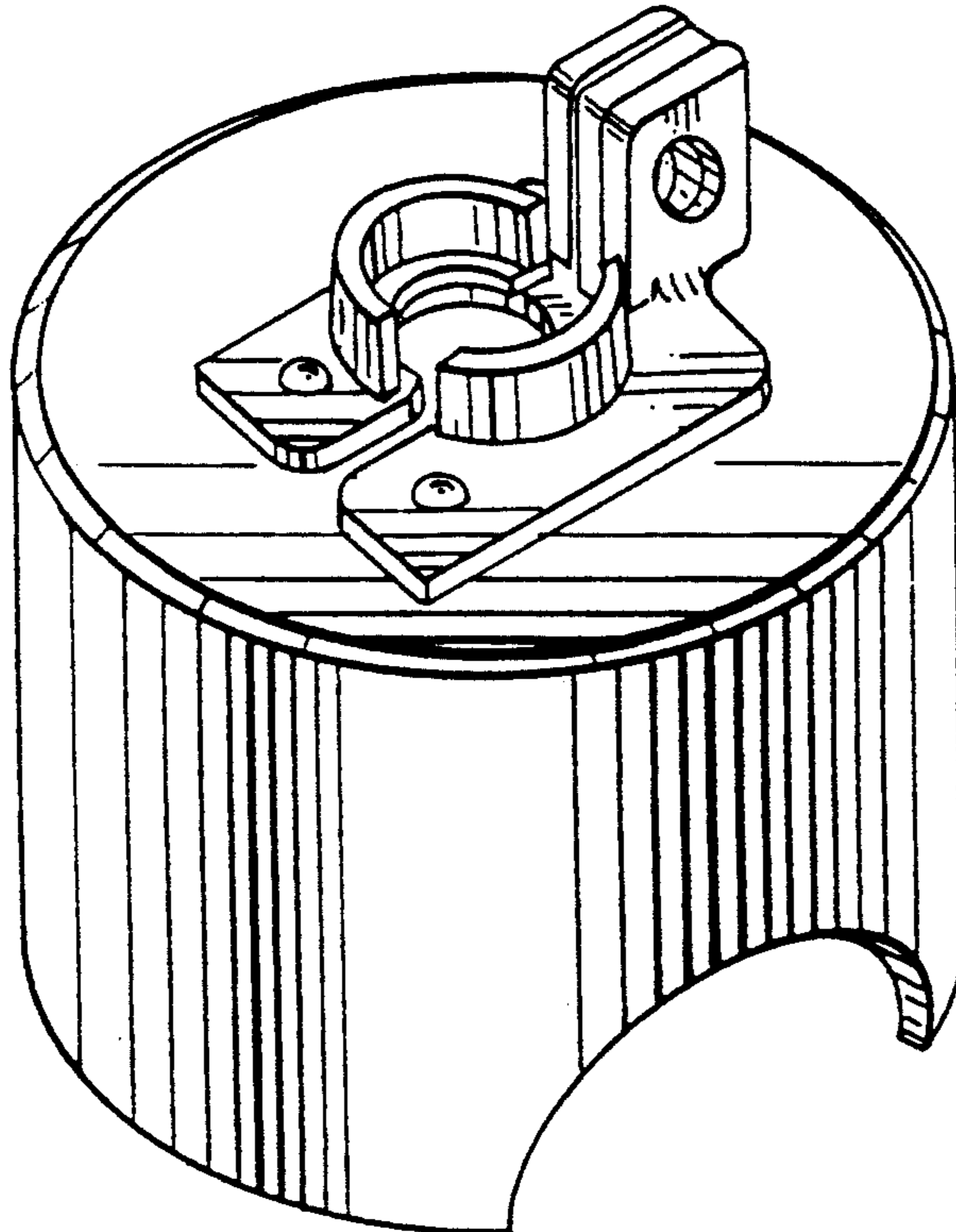
FIG. 1 is a perspective view of a valve lock showing my new design;

FIG. 2 is a side elevational view thereof;

FIG. 3 is a front elevational view thereof;

FIG. 4 is a bottom plan view thereof; and,

FIG. 5 is a top plan view thereof.



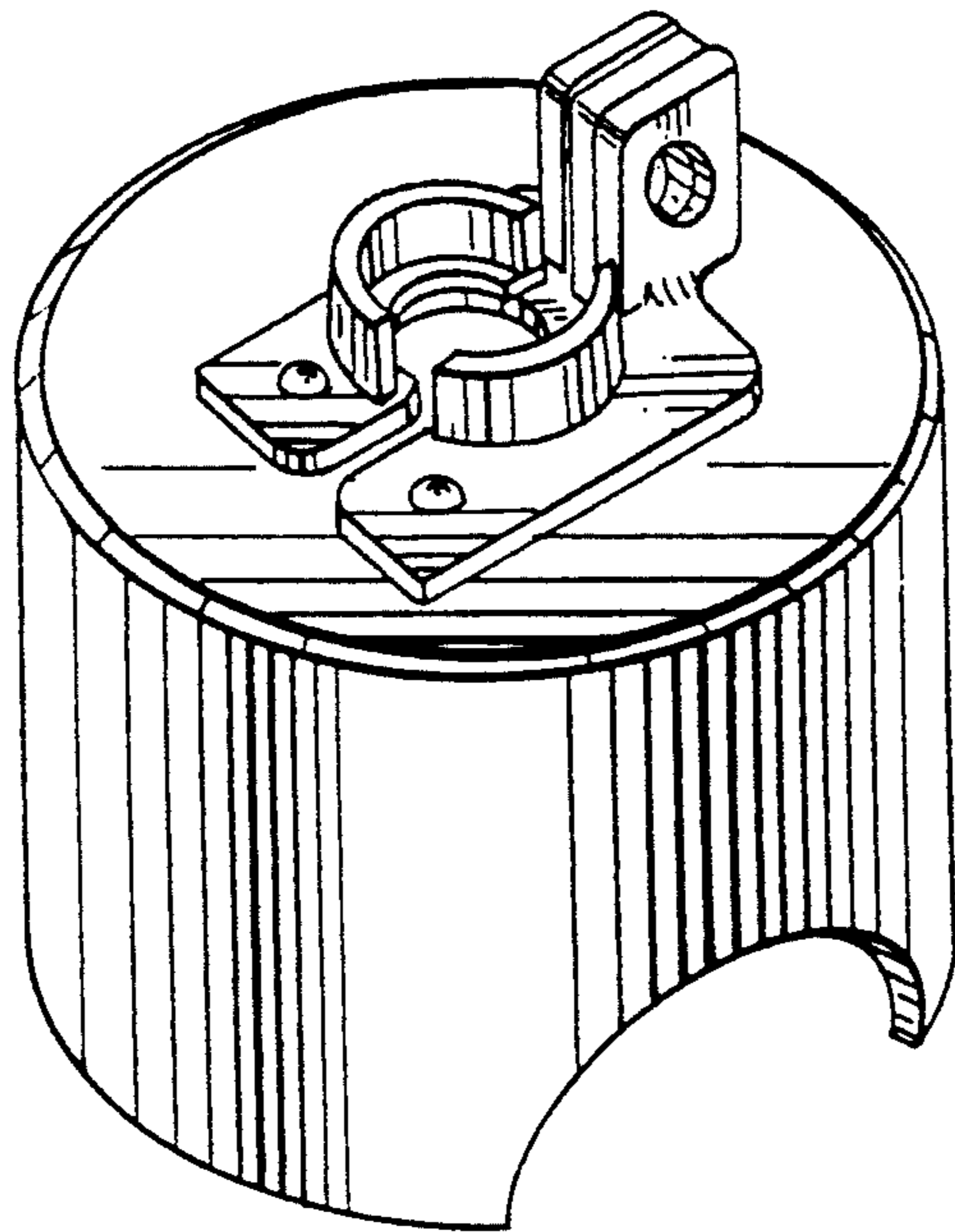


FIG. 1

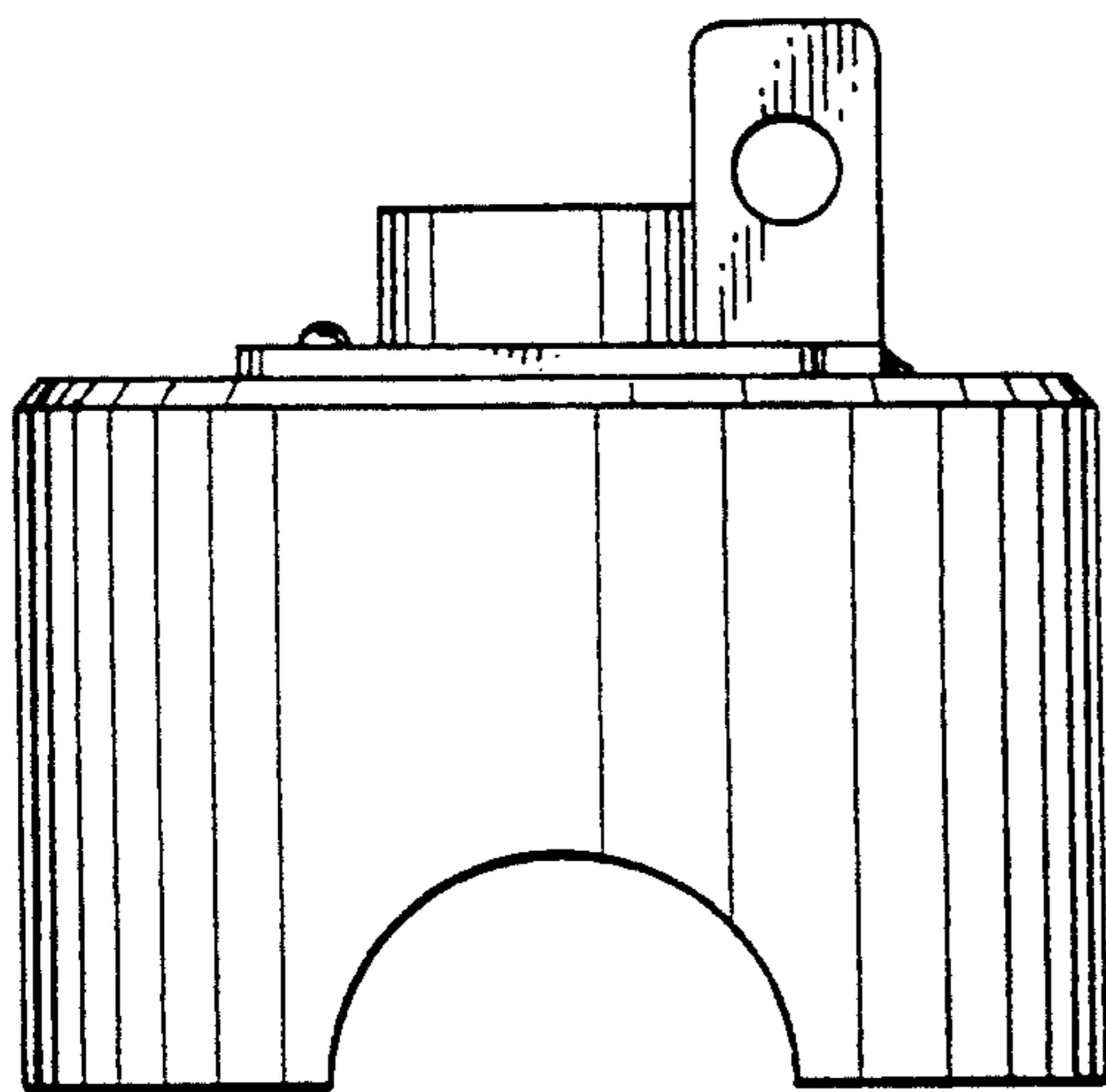


FIG. 2

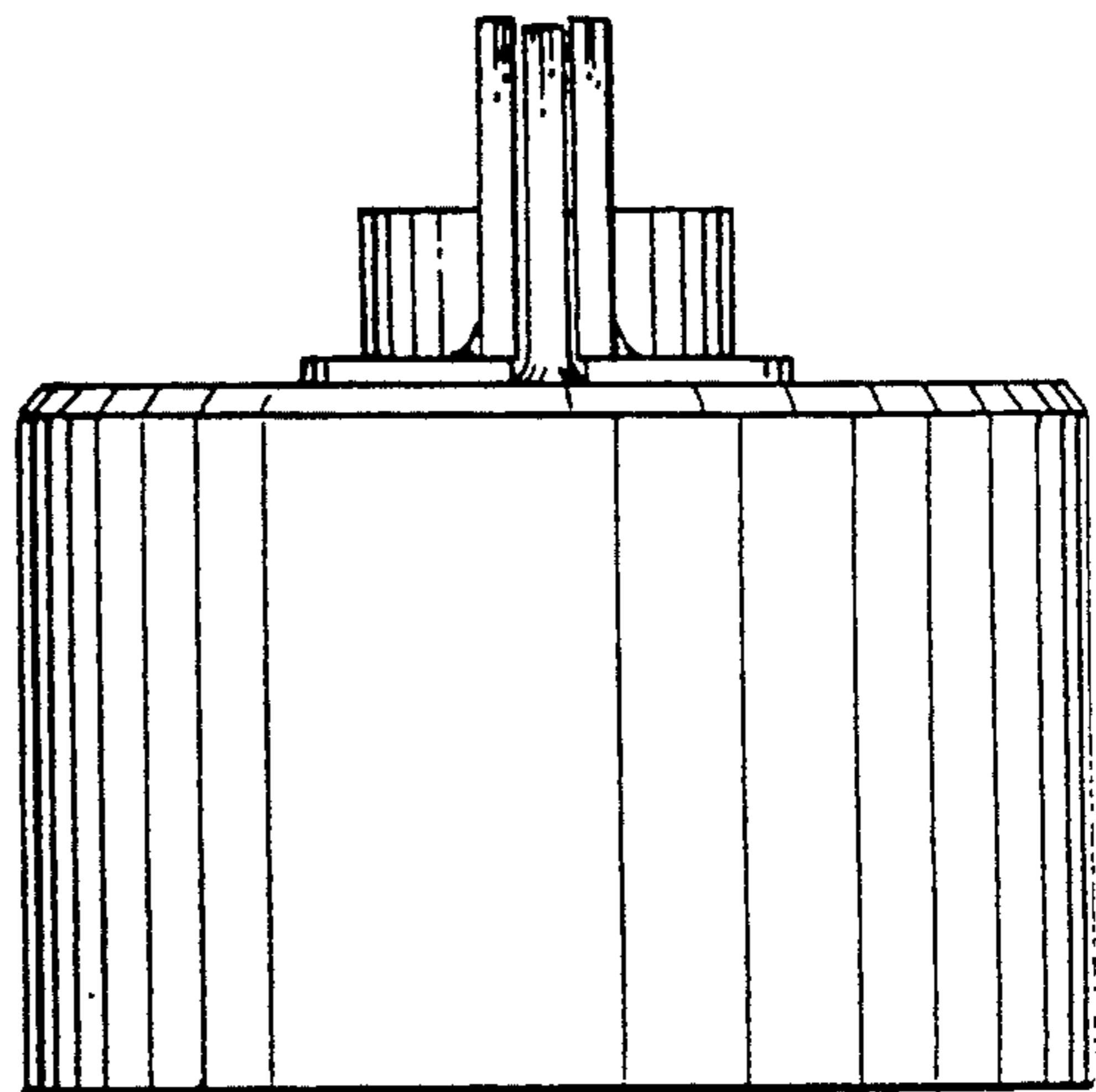


FIG. 3

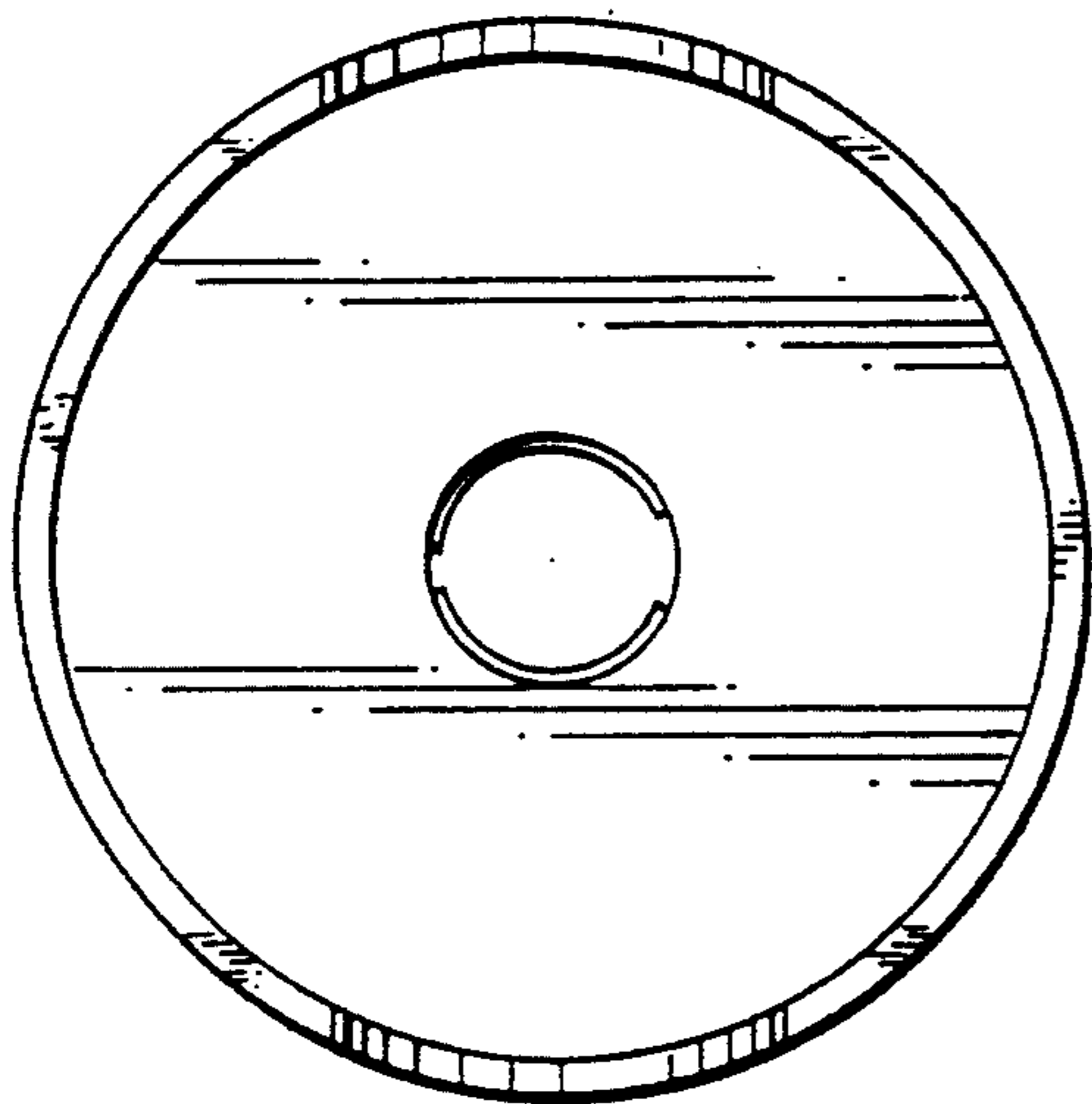


FIG. 4

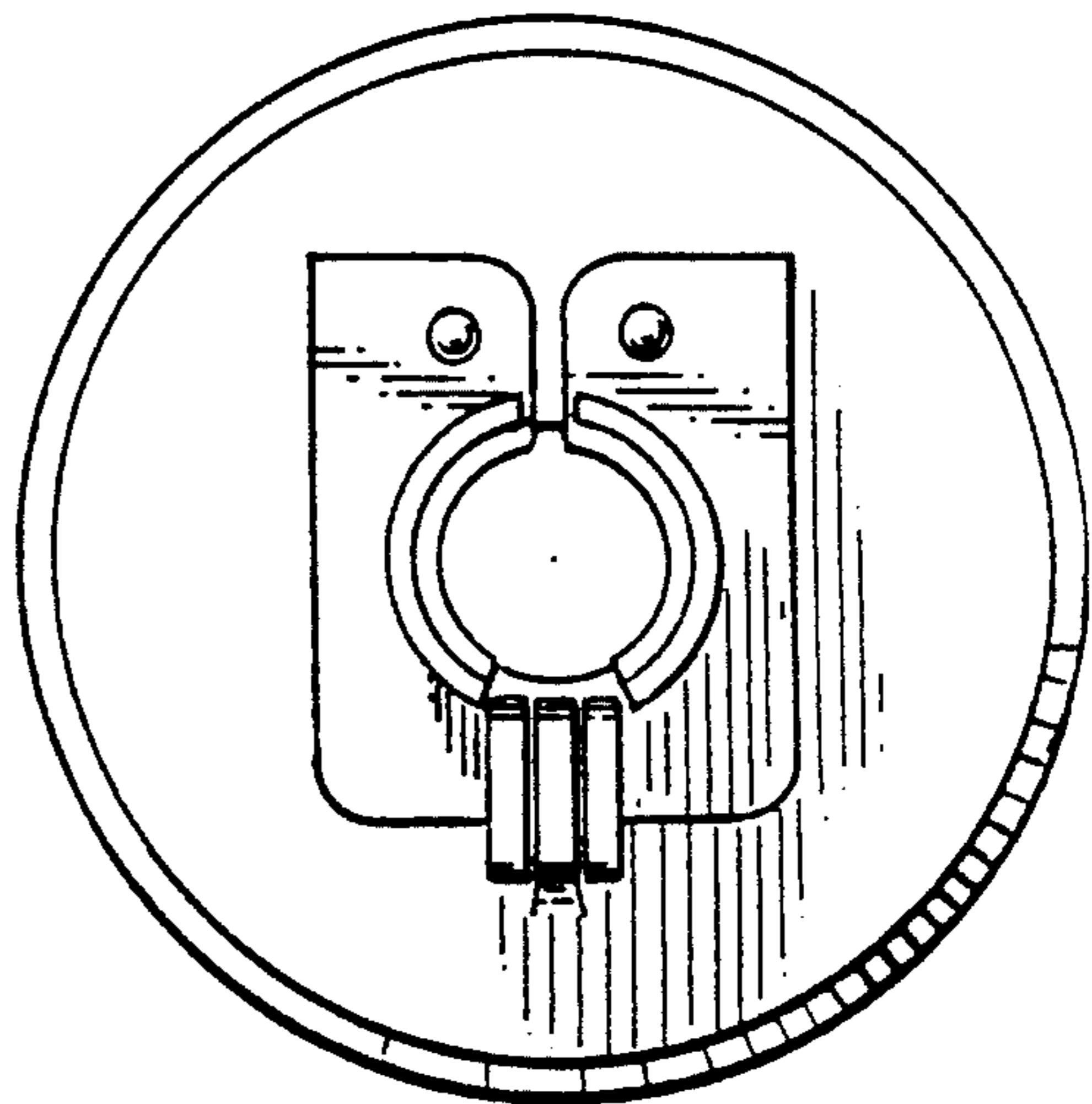


FIG. 5