



US00D348303S

United States Patent [19]

[11] Patent Number: **Des. 348,303**

Kameda et al.

[45] Date of Patent: **** Jun. 28, 1994**

[54] FISHING REEL

[75] Inventors: **Yasuhisa Kameda, Musashino; Kyoichi Kaneko; Shinichiro Miyasaka, both of Tokyo, all of Japan**

[73] Assignee: **Daiwa Seiko, Inc., Tokyo, Japan**

[**] Term: **14 Years**

[21] Appl. No.: **873,992**

[22] Filed: **Apr. 27, 1992**

[30] Foreign Application Priority Data

Oct. 28, 1991 [JP]	Japan	3-32536
Oct. 28, 1991 [JP]	Japan	3-32537
[52] U.S. Cl.	D22/140	
[58] Field of Search	242/257-262, 242/279, 283; D22/140, 141, 137	

[56] References Cited

U.S. PATENT DOCUMENTS

D. 228,183	8/1973	Tufvesson .	
D. 236,827	9/1975	Tufvesson .	
D. 284,396	6/1986	Iinuma et al. .	
D. 299,509	1/1989	Iinuma et al.	D22/140
D. 302,843	8/1989	Myojo	D22/140
D. 302,844	8/1989	Myojo	D22/140
D. 310,116	8/1990	Effinger	D22/140
4,056,246	11/1977	Purcell	242/283

FOREIGN PATENT DOCUMENTS

652527 6/1985 Japan .
693220 11/1986 Japan .

Primary Examiner—A. Hugo Word
Assistant Examiner—Doris V. Coles
Attorney, Agent, or Firm—Cushman, Darby & Cushman

[57] CLAIM

The ornamental design for a fishing reel as shown and described.

DESCRIPTION

FIG. 1 is a front, top and right side of the perspective view of a fishing reel showing our new design;
 FIG. 2 is a rear, top and left side of the perspective view thereof;
 FIG. 3 is a right side elevational view thereof;
 FIG. 4 is a left side elevational view thereof;
 FIG. 5 is a front elevational view thereof;
 FIG. 6 is a rear elevational view thereof;
 FIG. 7 is a top plan view thereof;
 FIG. 8 is a bottom view thereof;
 FIG. 9 is a front, top and right side of the perspective view of the other embodiment of showing our new design;
 FIG. 10 is a rear, bottom and left side of the perspective view thereof;
 FIG. 11 is a right side elevational view thereof;
 FIG. 12 is a left side elevational view thereof;
 FIG. 13 is a front elevational view thereof;
 FIG. 14 is a rear elevational view thereof;
 FIG. 15 is a top plan view thereof; and,
 FIG. 16 is a bottom view thereof.

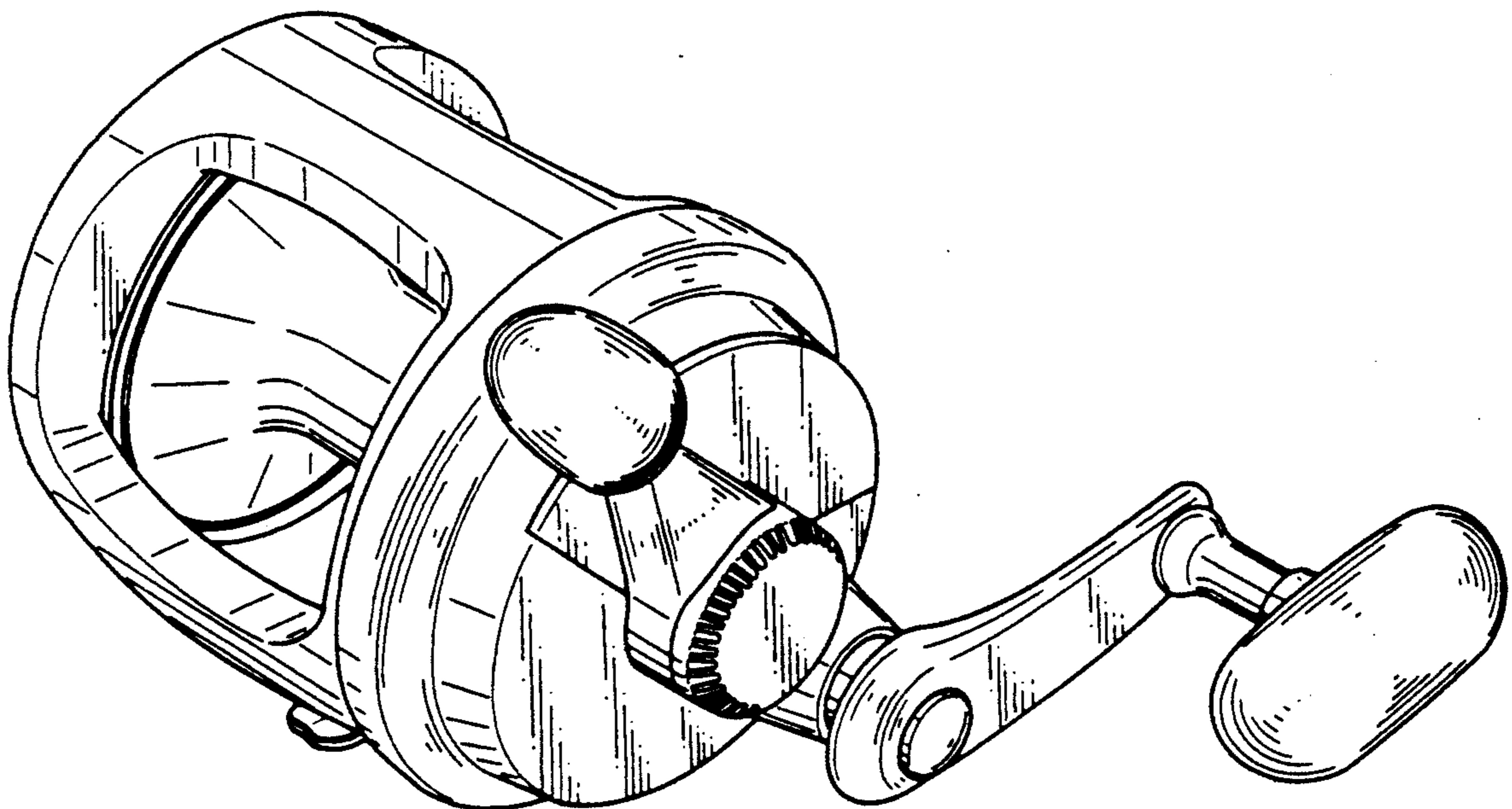


Fig. 1

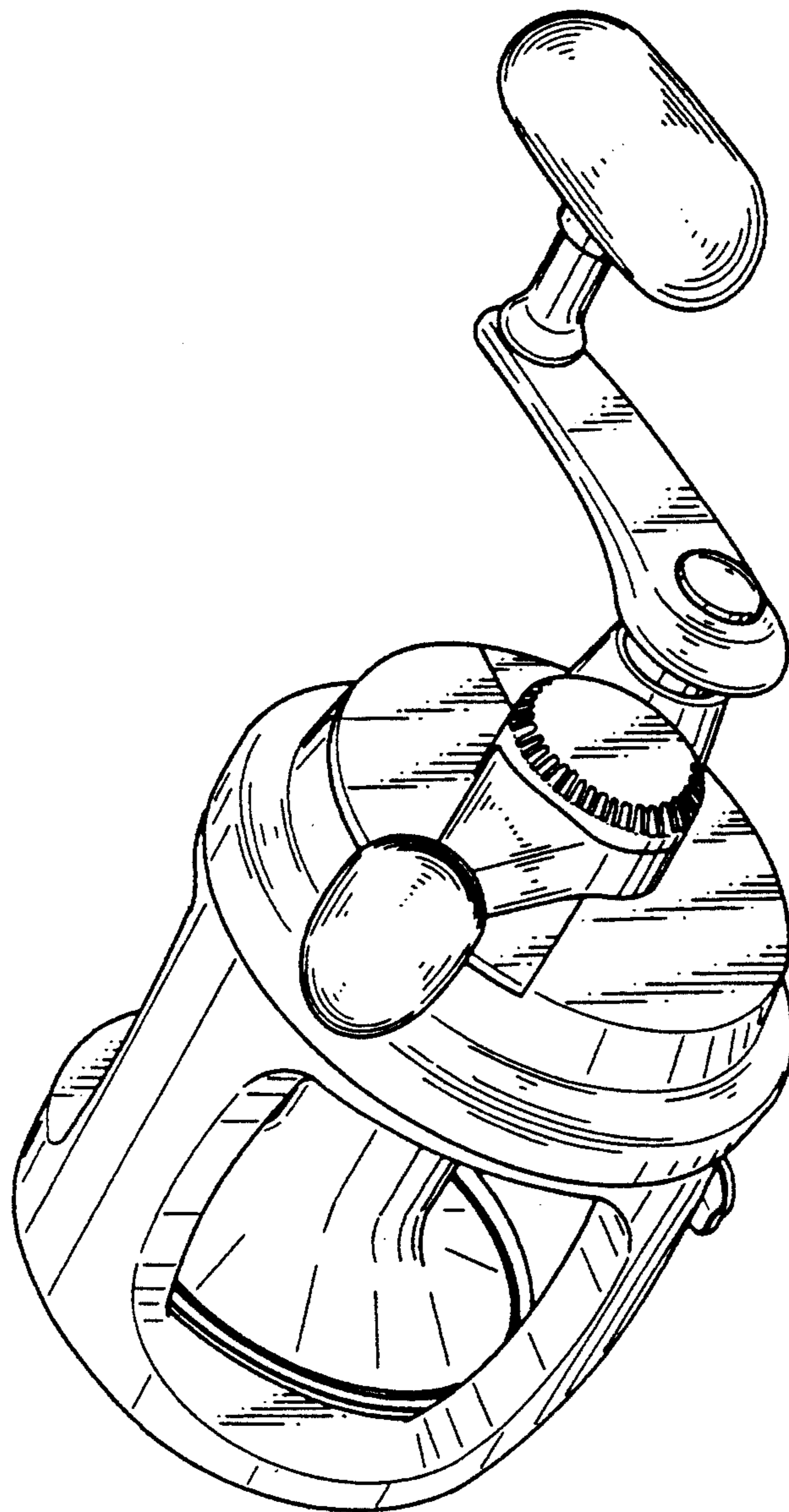


Fig. 2

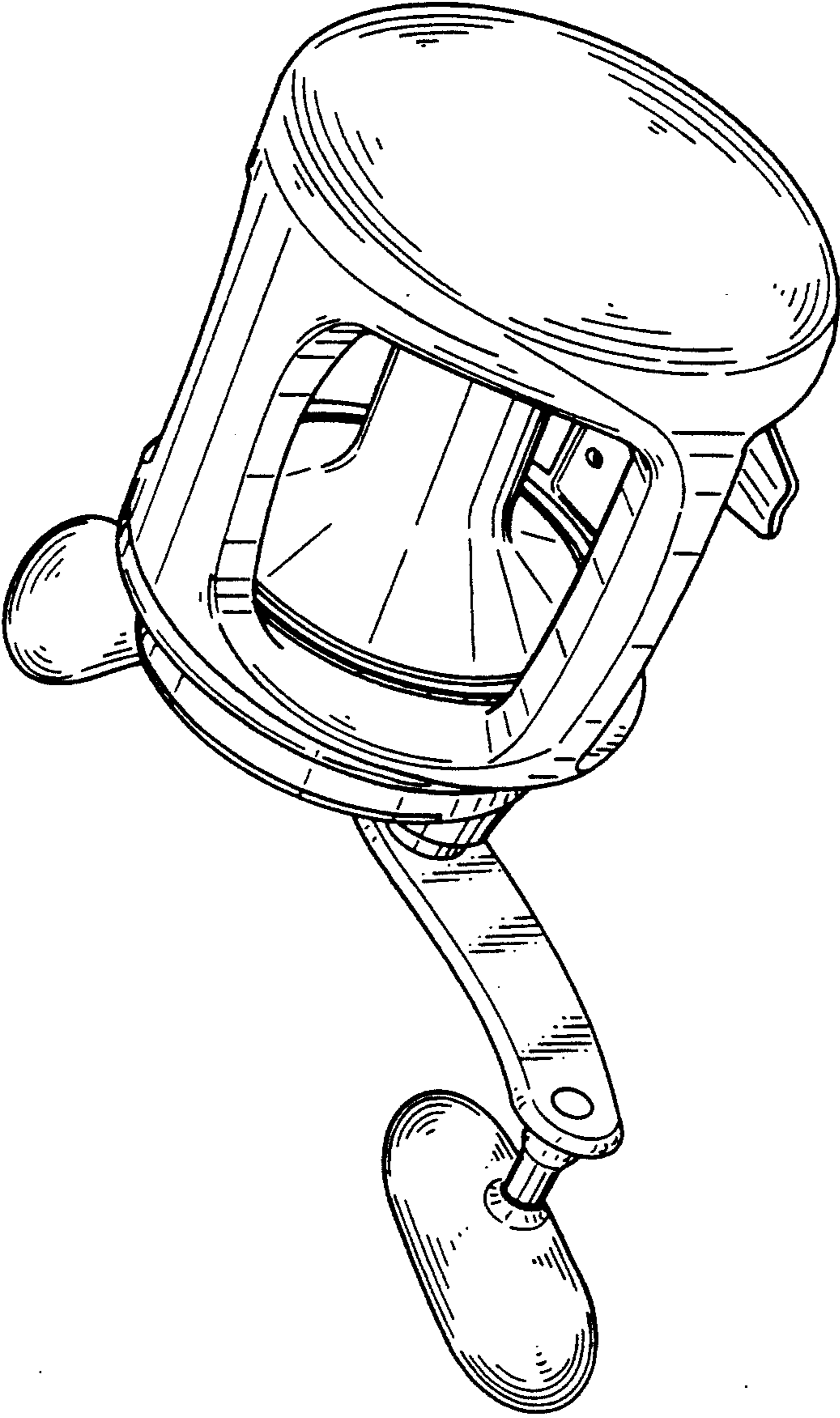


Fig. 3

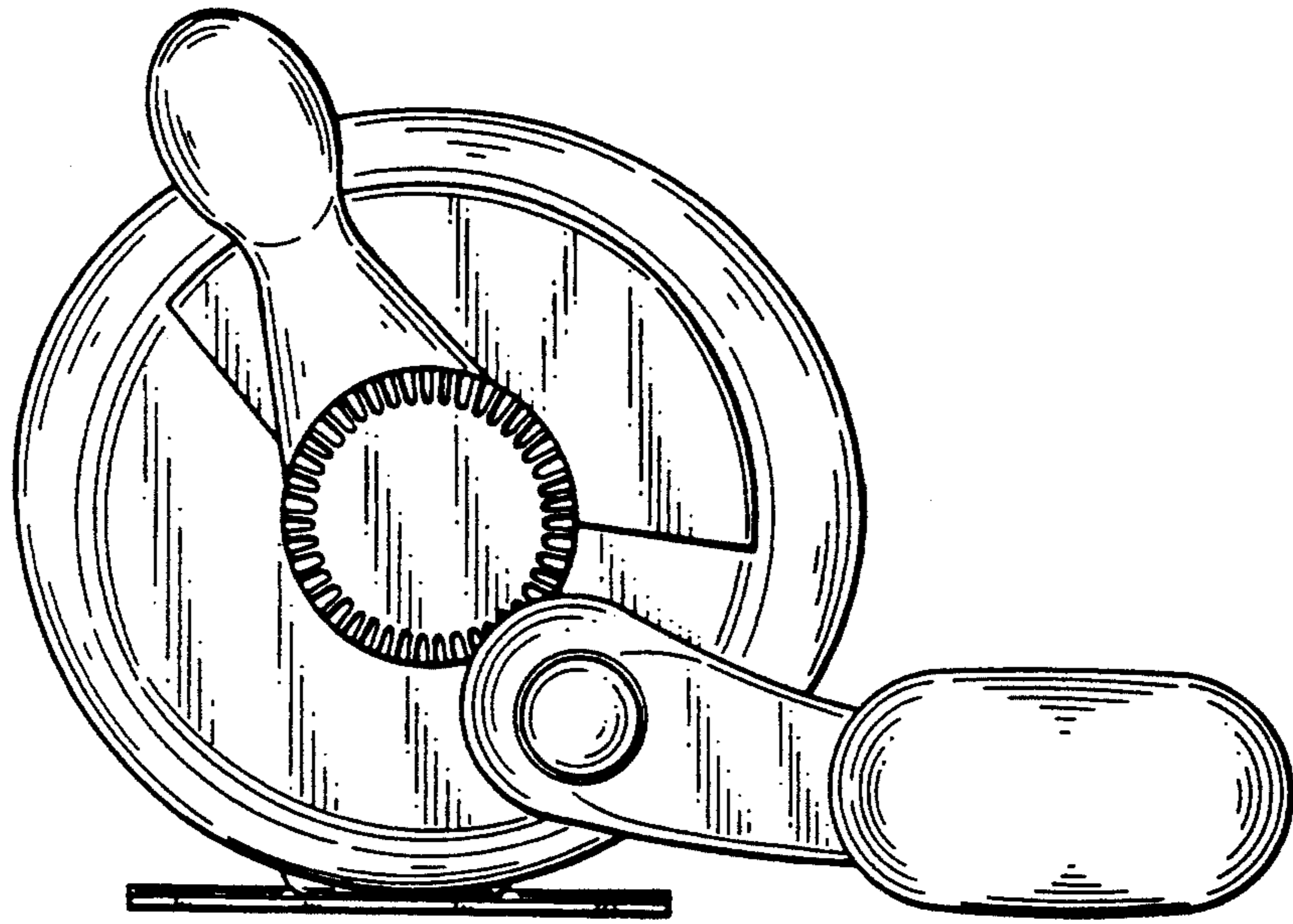


Fig. 4

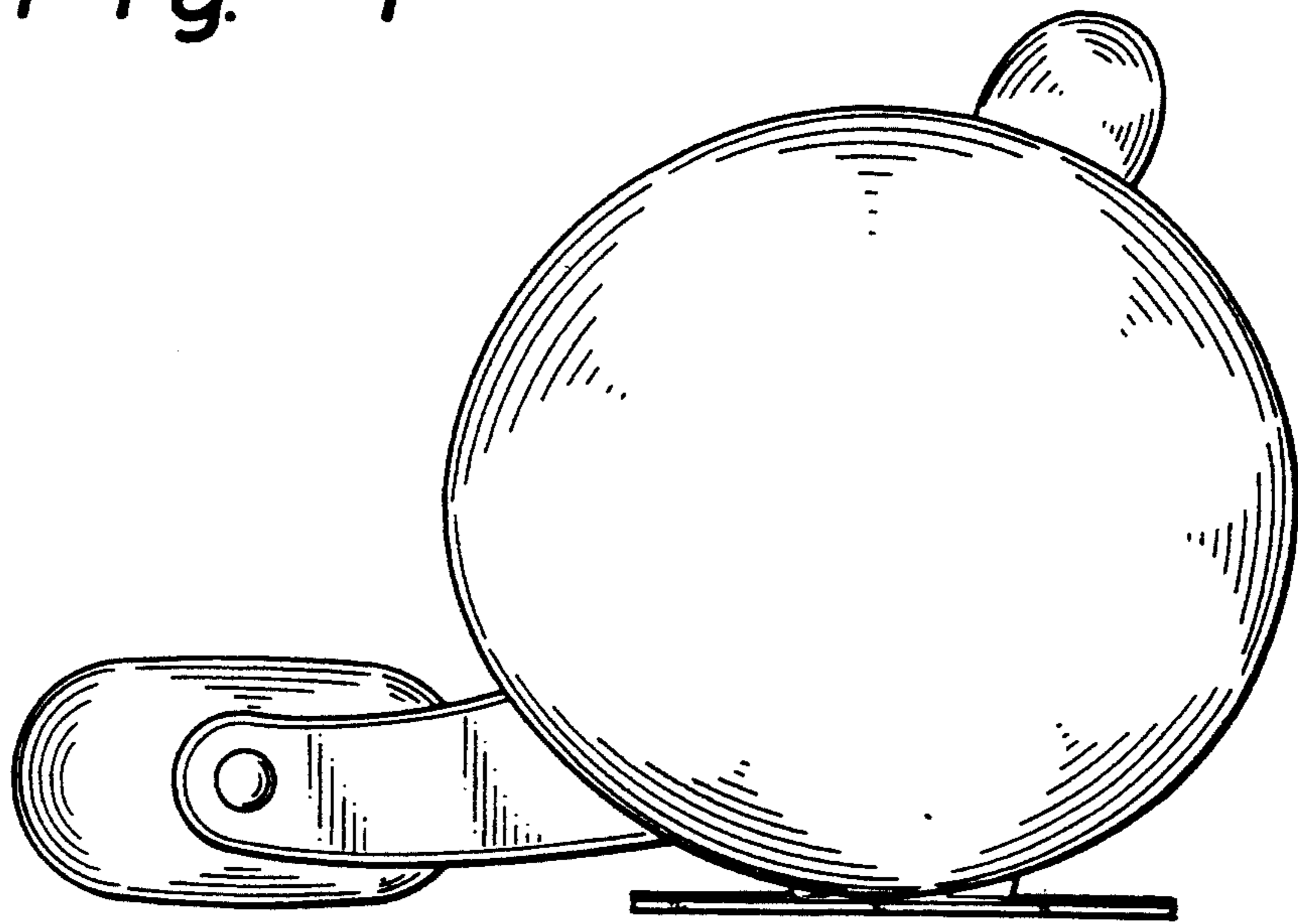


Fig. 5

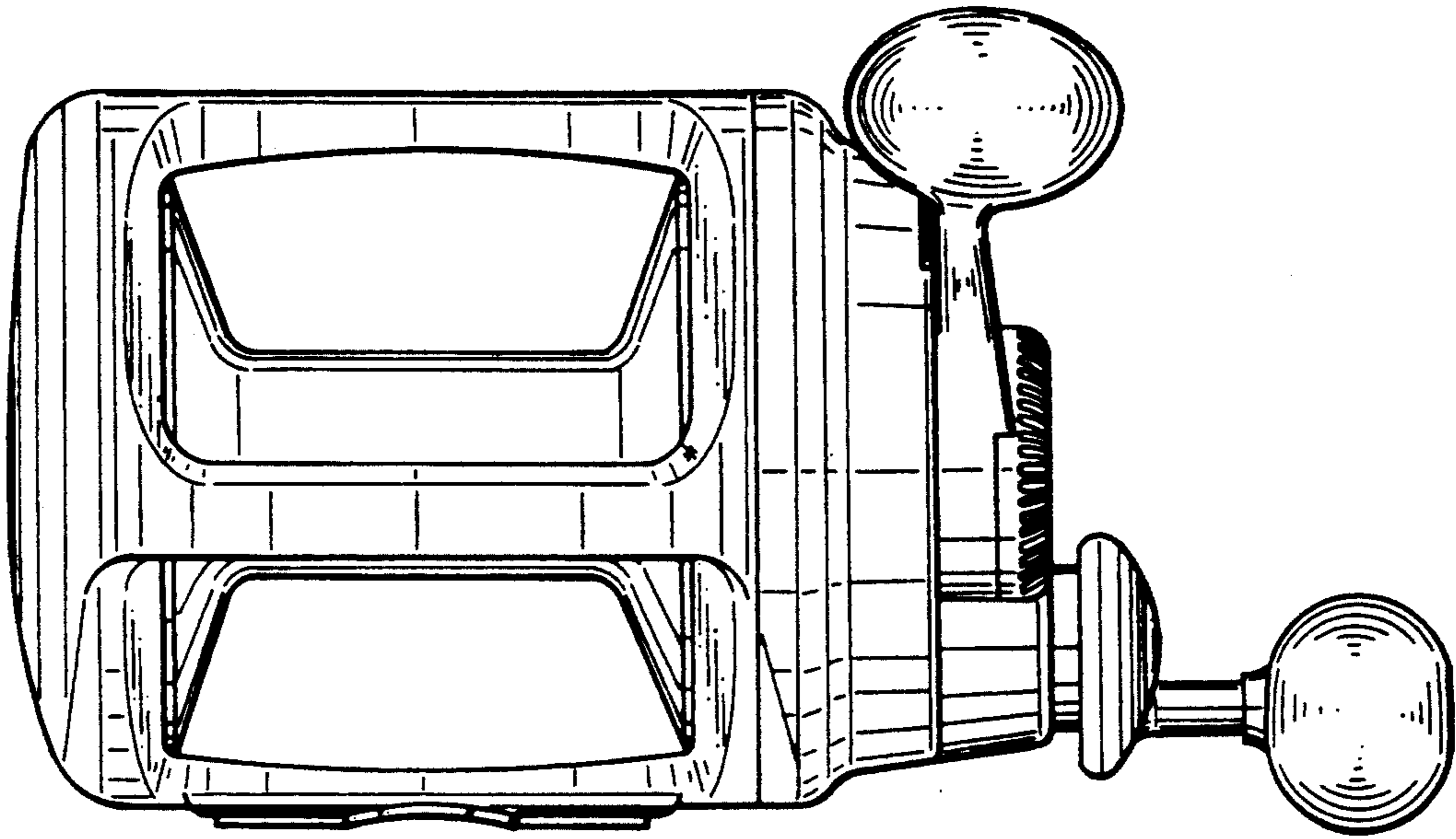


Fig. 6

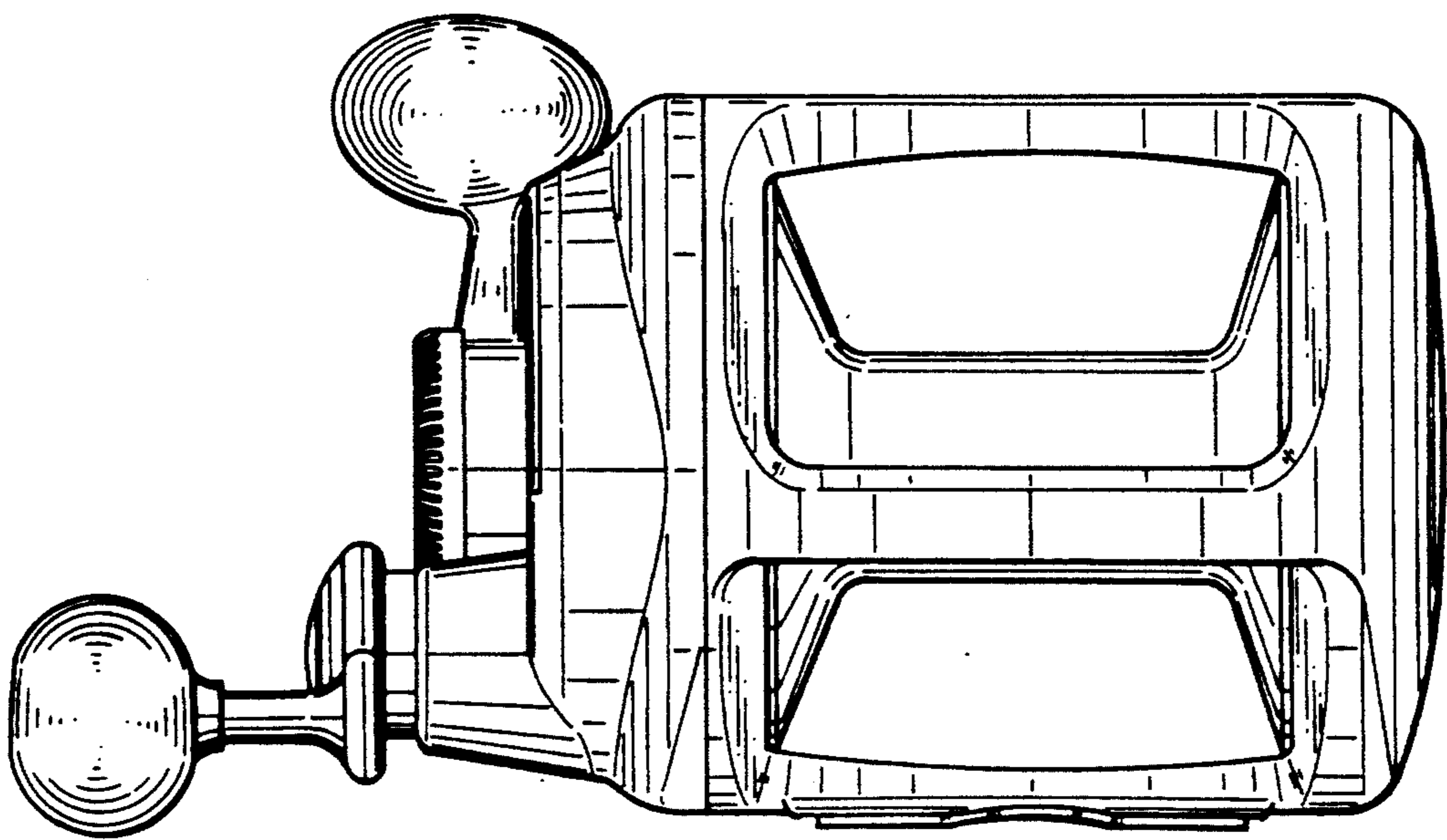


Fig. 7

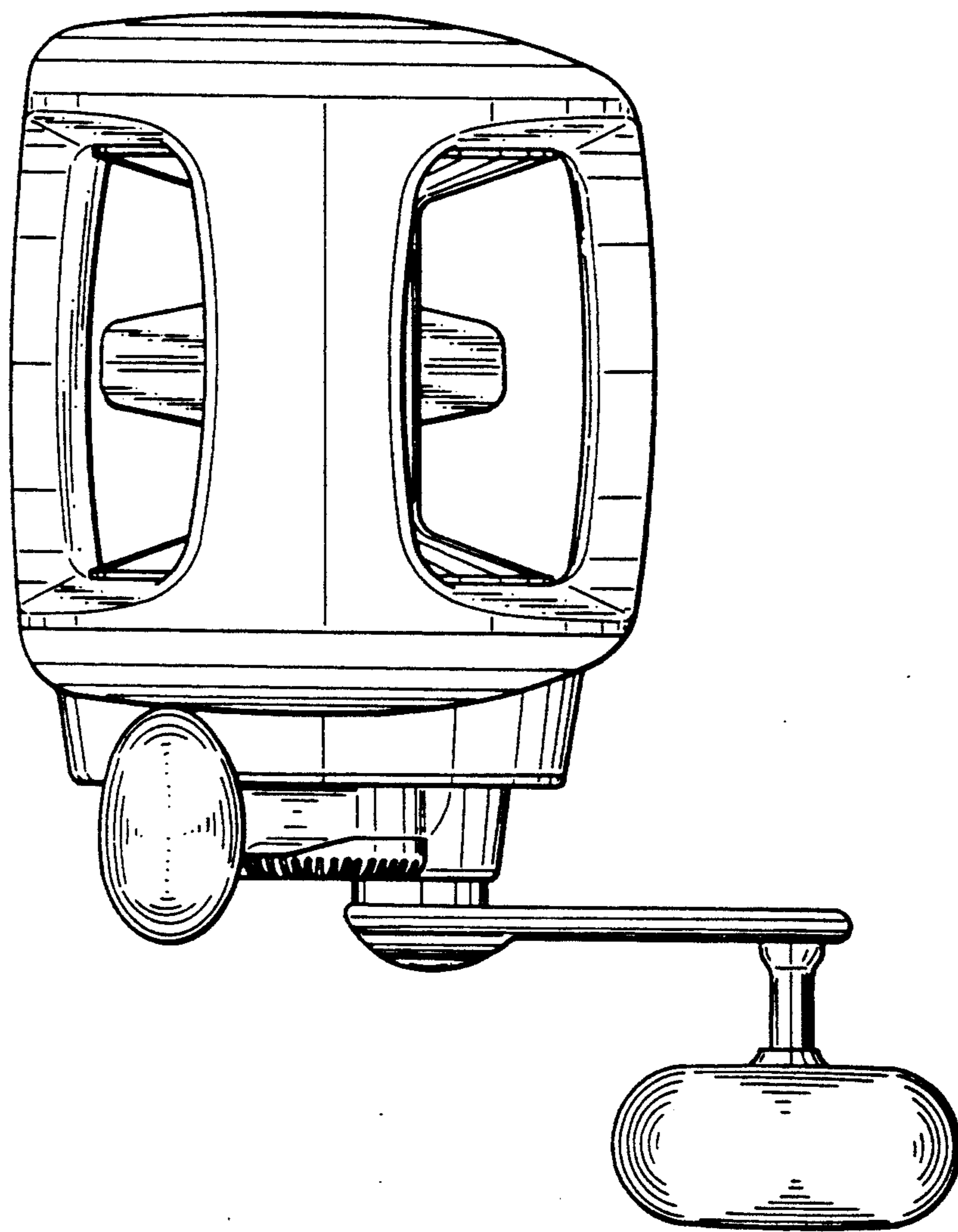


Fig. 8

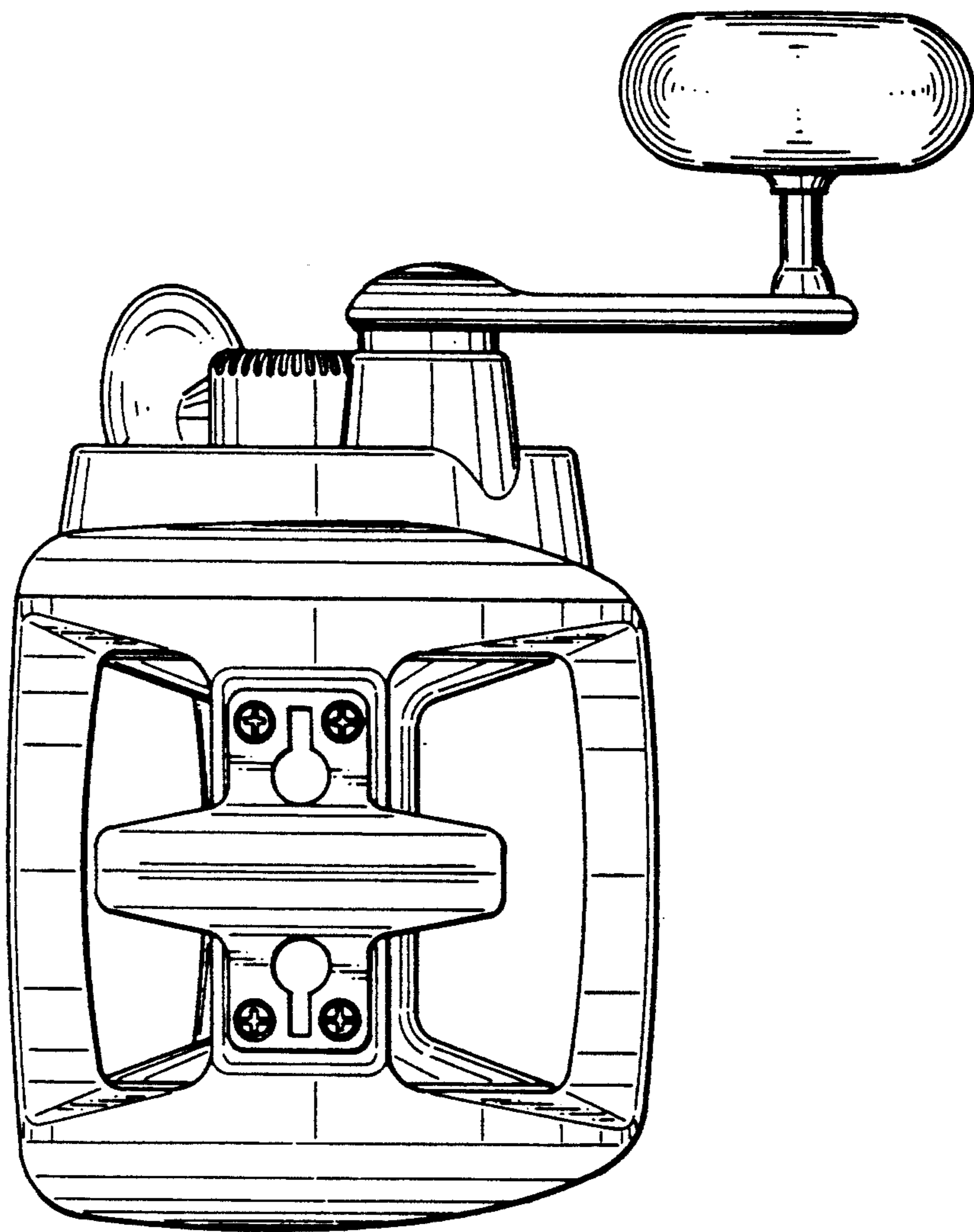


Fig. 9

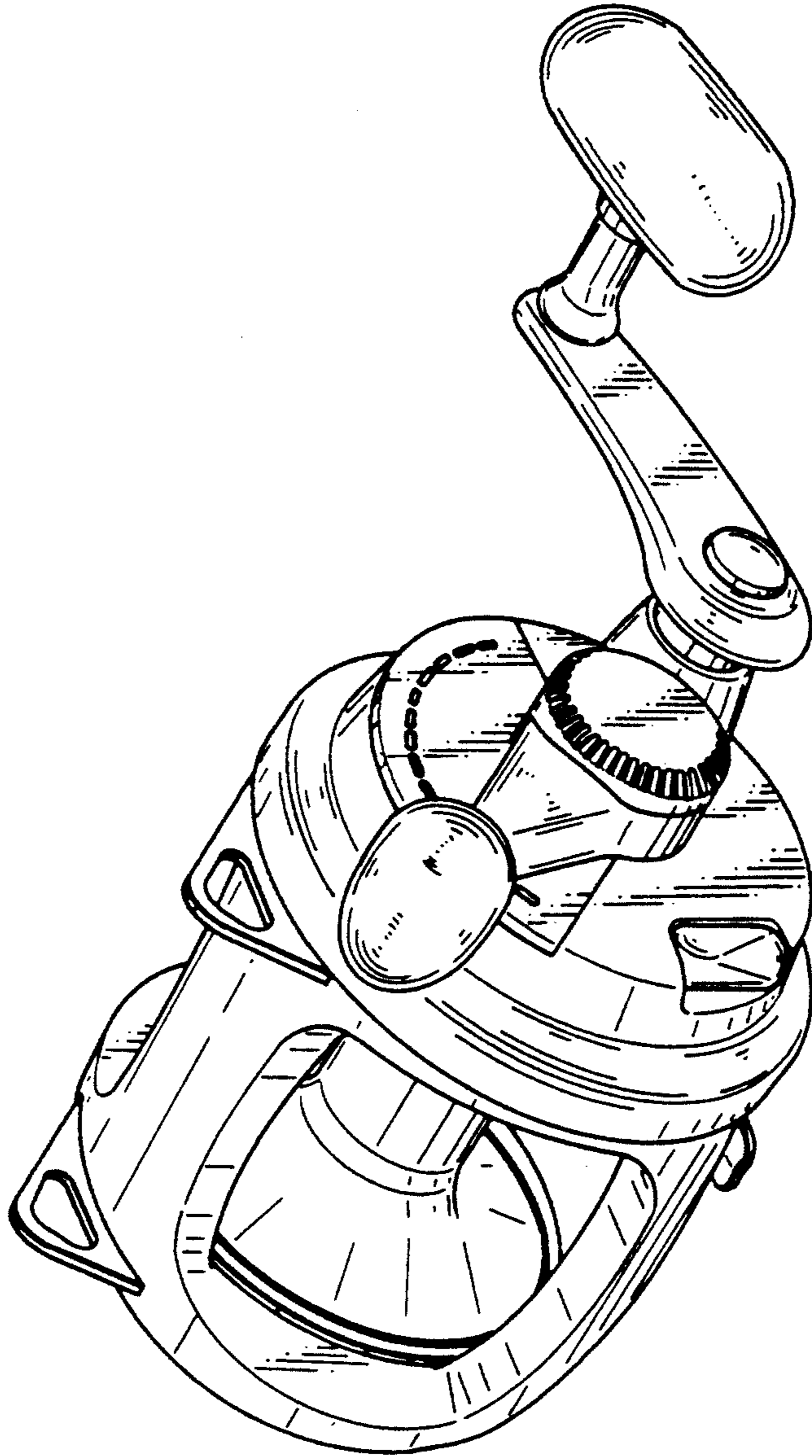


Fig. 10

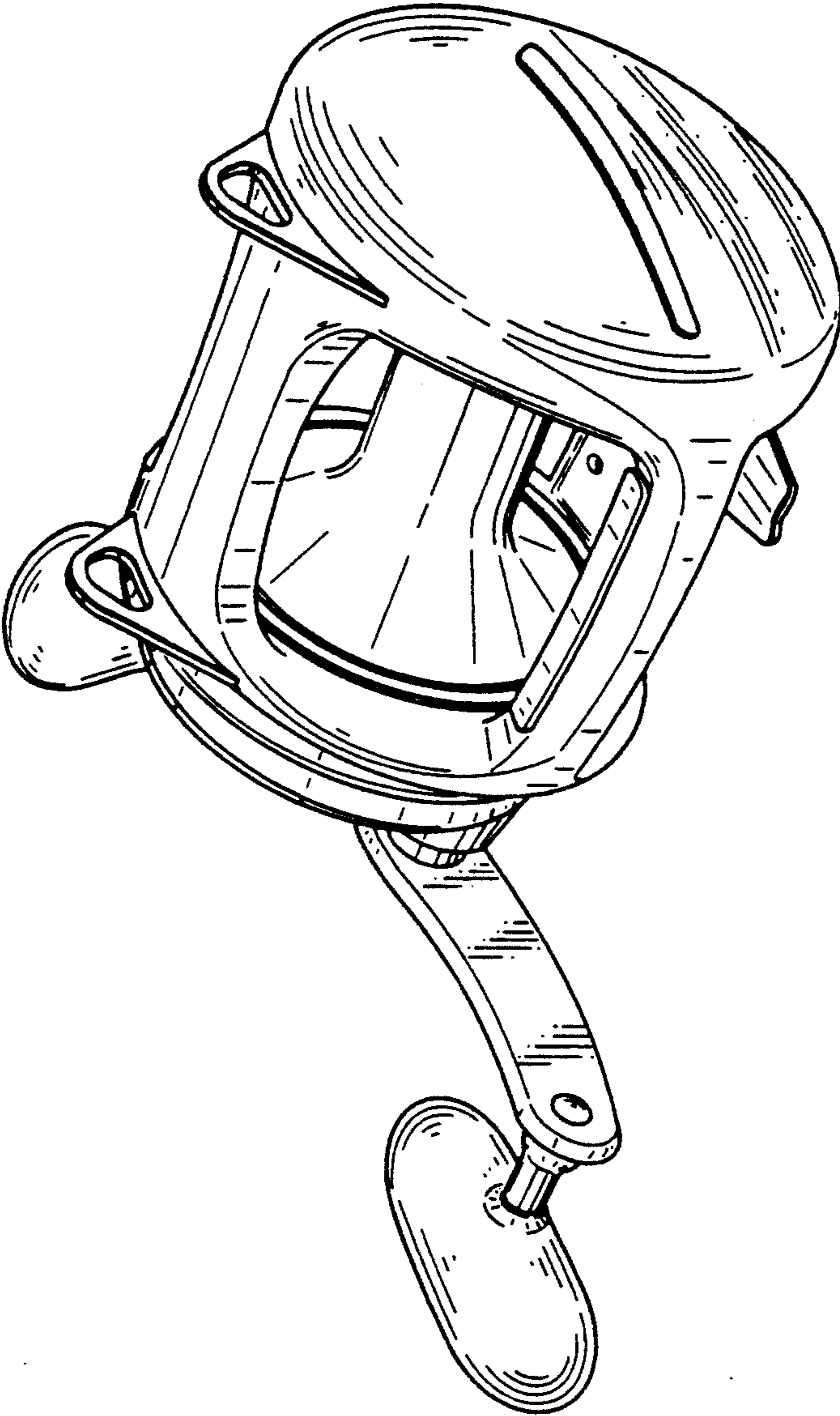


Fig. 11

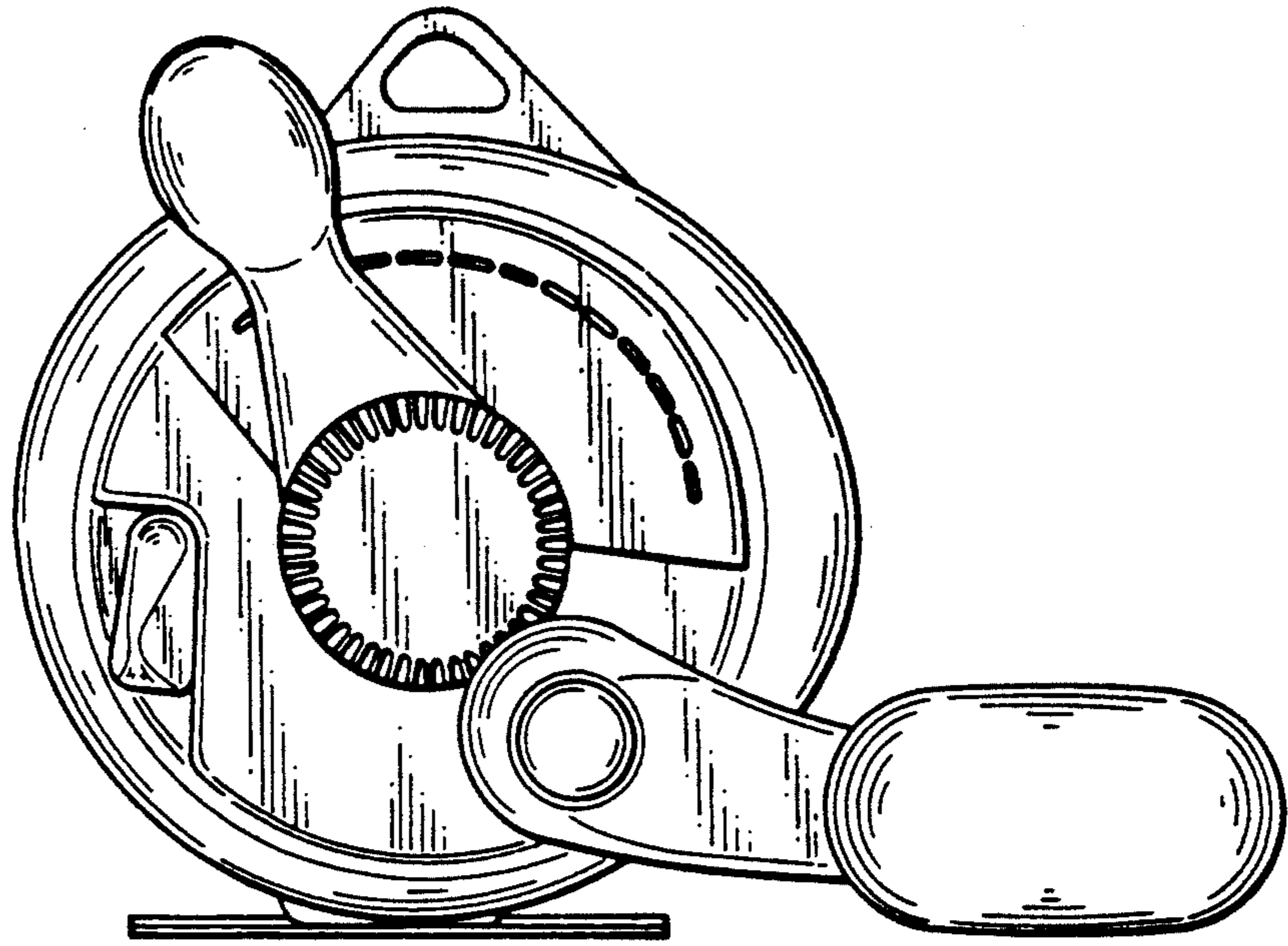


Fig. 12

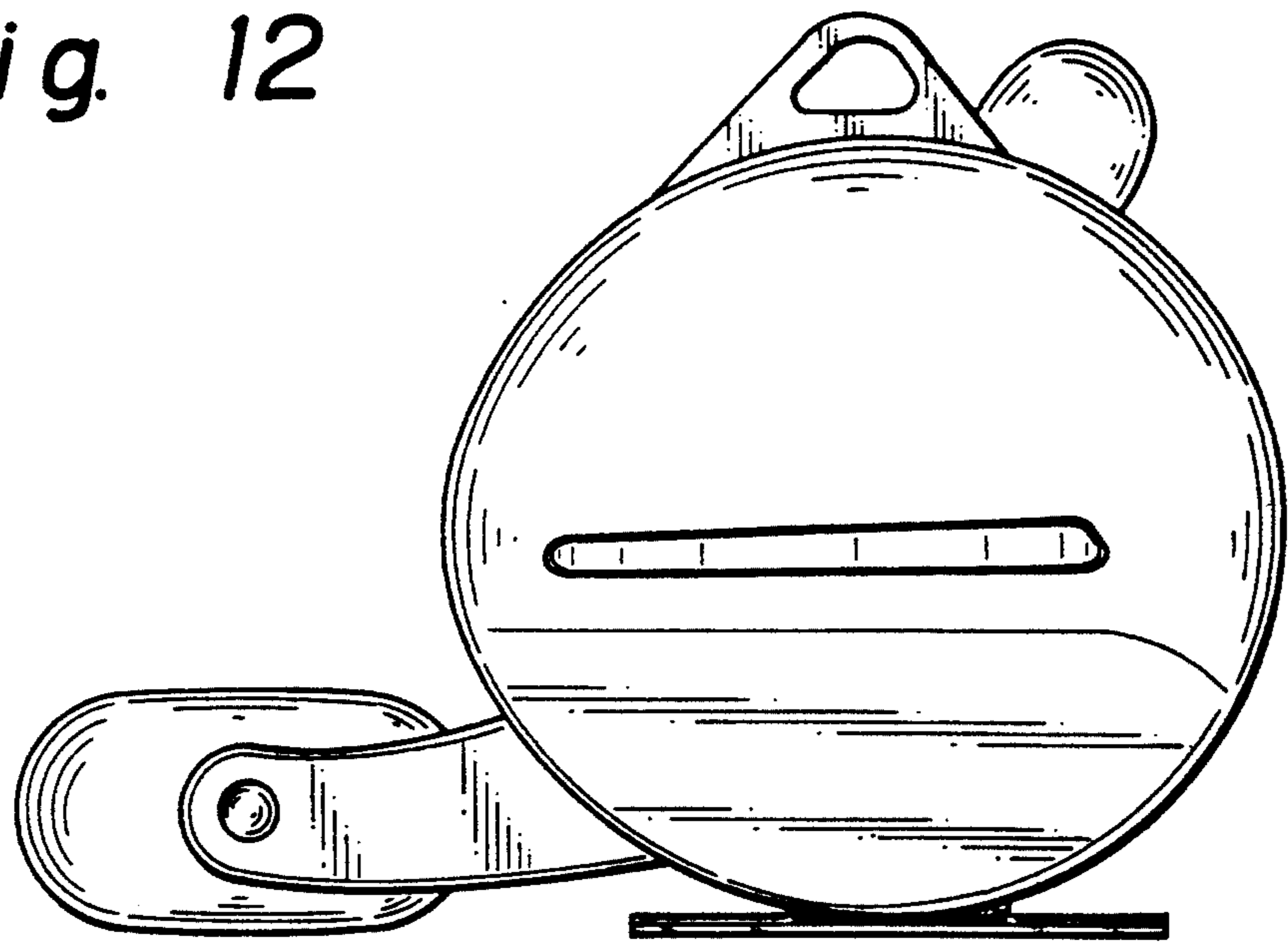


Fig. 13

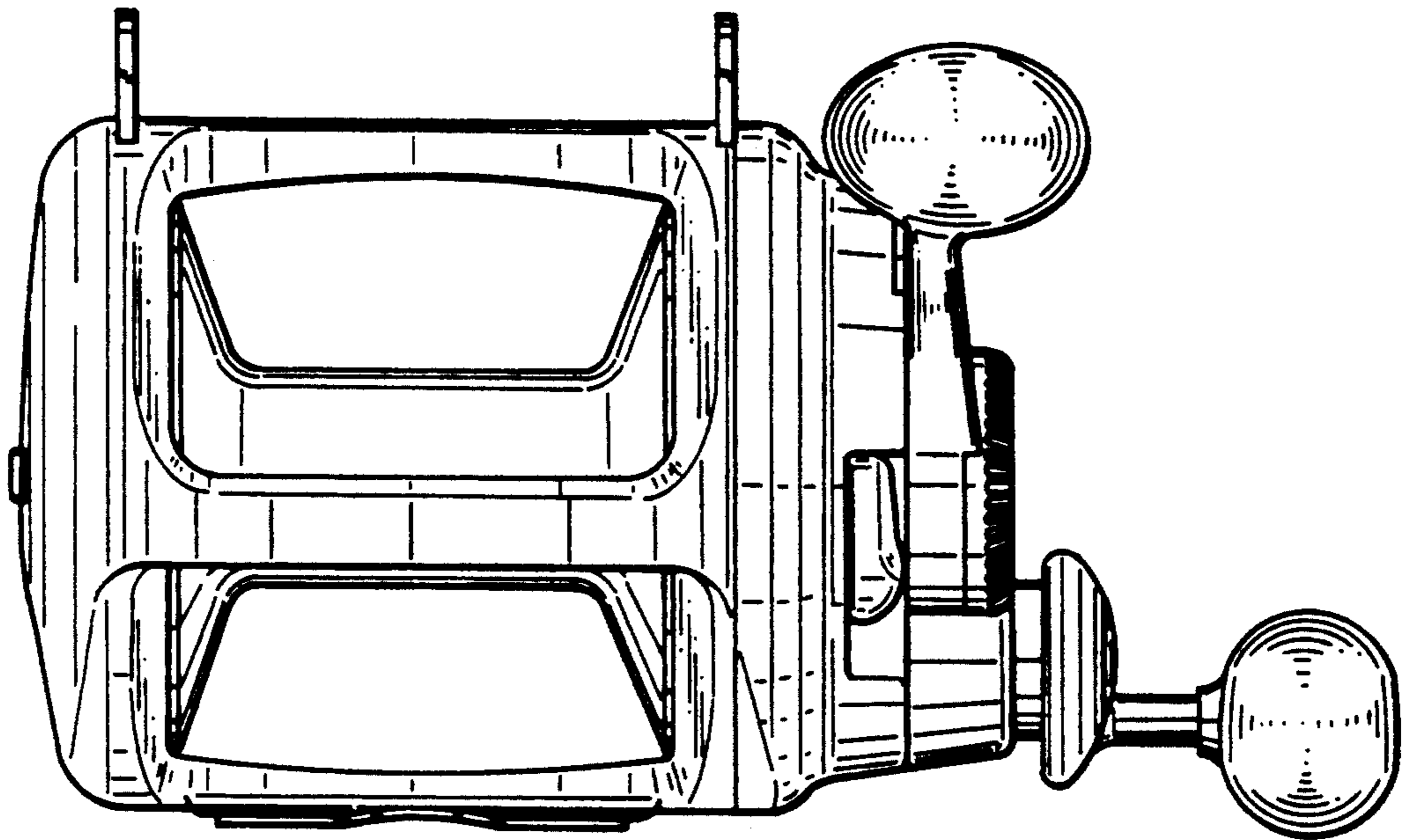


Fig. 14

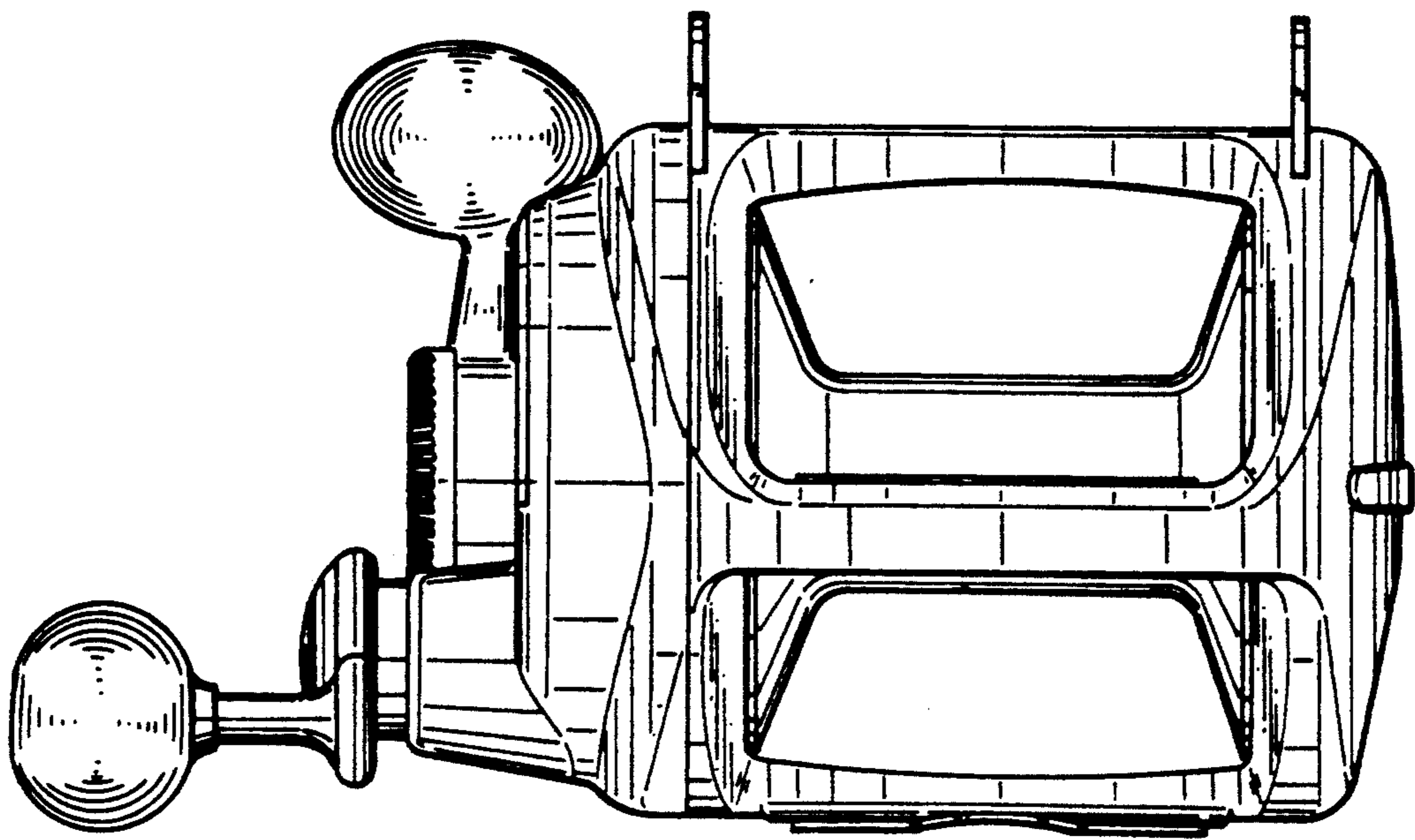


Fig. 15

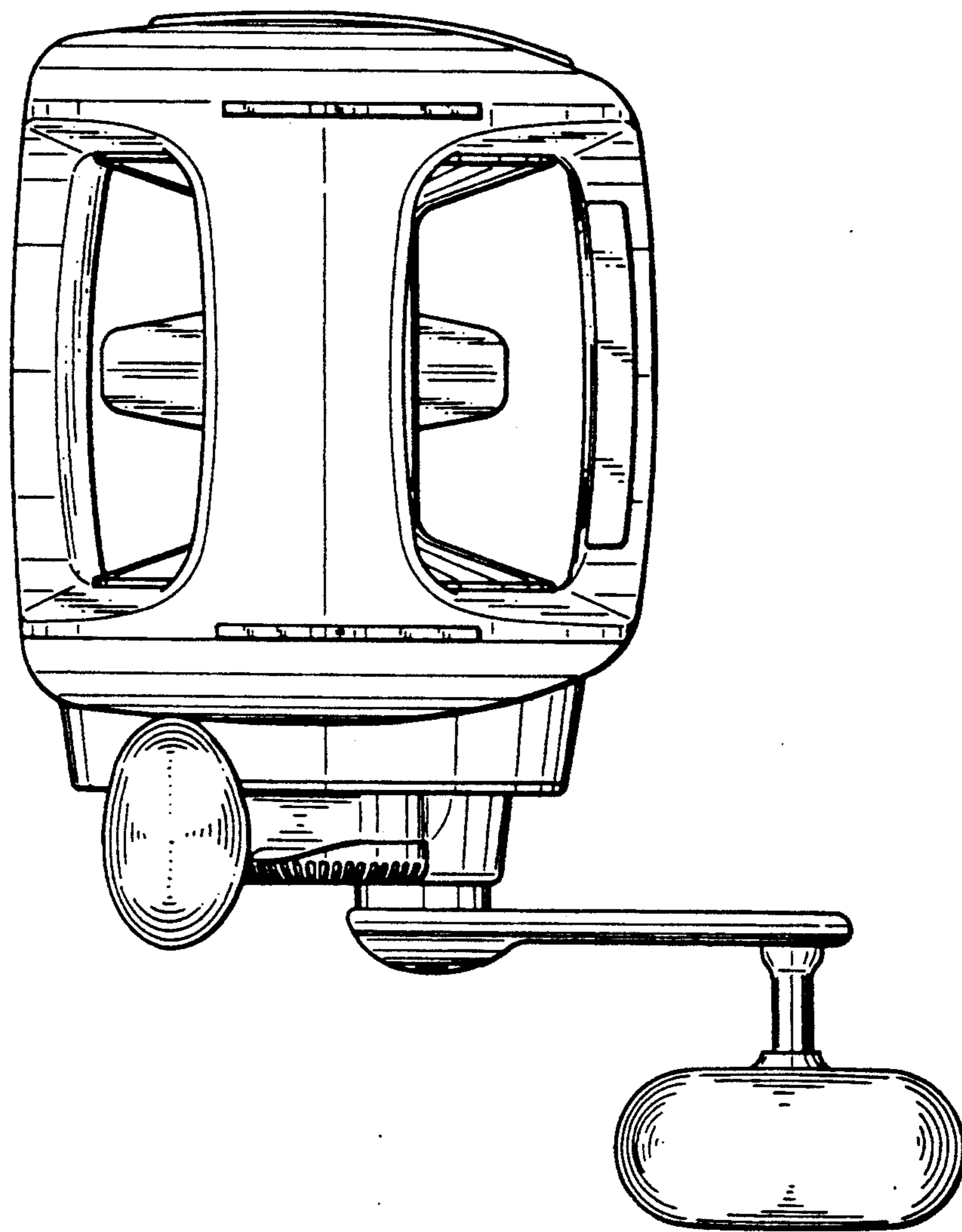


Fig. 16

