



US00D348292S

United States Patent [19]

[11] Patent Number: **Des. 348,292**

Chiu

[45] Date of Patent: **** Jun. 28, 1994**

[54] **TOY SEWING MACHINE**

[75] Inventor: **Andrew S. P. Chiu, Hong Kong, Hong Kong**

[73] Assignee: **Ngai Keung Metal & Plastic Manufactory Ltd., Hong Kong, Hong Kong**

[**] Term: **14 Years**

[21] Appl. No.: **921,262**

[22] Filed: **Jul. 30, 1992**

[30] **Foreign Application Priority Data**

Jan. 30, 1992 [GB] United Kingdom 2020703
 [52] U.S. Cl. **D21/122**
 [58] Field of Search 112/258, 259, 260, 261, 112/262.1; 446/144; D21/122; D15/69, 70

[56] **References Cited**

U.S. PATENT DOCUMENTS

D. 224,944 10/1972 Martelet D21/122

D. 269,021 5/1983 Appel D21/122
 D. 274,334 6/1984 Eguchi D15/70
 D. 289,052 3/1987 Kuroki D15/70
 D. 292,712 11/1987 Aono D15/69
 D. 297,434 8/1988 Yoneda D15/69

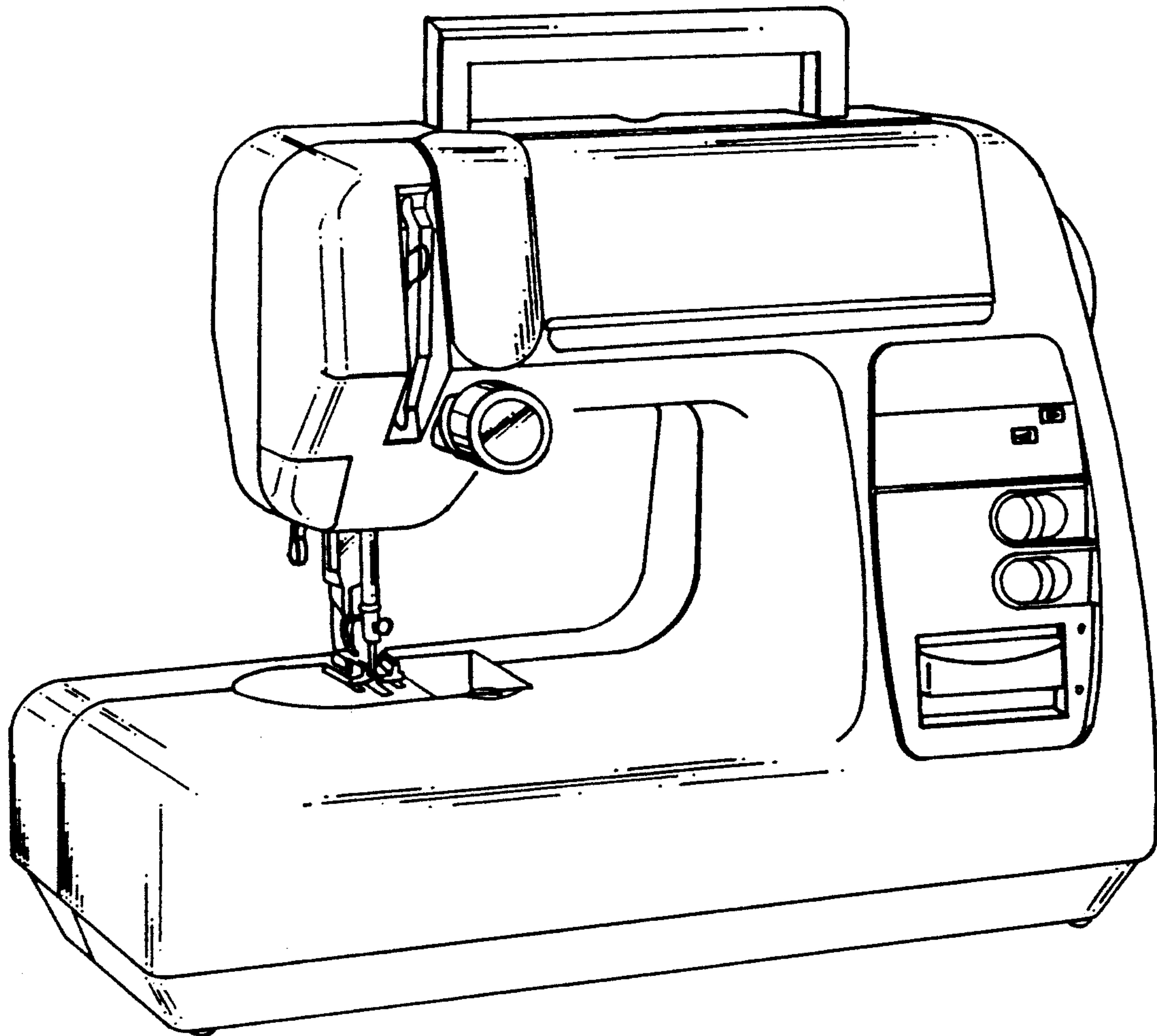
Primary Examiner—Bernard Ansher
Assistant Examiner—R. Barkai
Attorney, Agent, or Firm—Sandler Greenblum & Bernstein

[57] **CLAIM**

The ornamental design for a toy sewing machine, as shown and described.

DESCRIPTION

FIG. 1 is a top, front and left side perspective view of a toy sewing machine showing my new design;
 FIG. 2 is a front elevational view;
 FIG. 3 is a rear elevational view;
 FIG. 4 is a left side elevational view;
 FIG. 5 is a right side elevational view;
 FIG. 6 is a top plan view; and,
 FIG. 7 is a bottom plan view thereof.



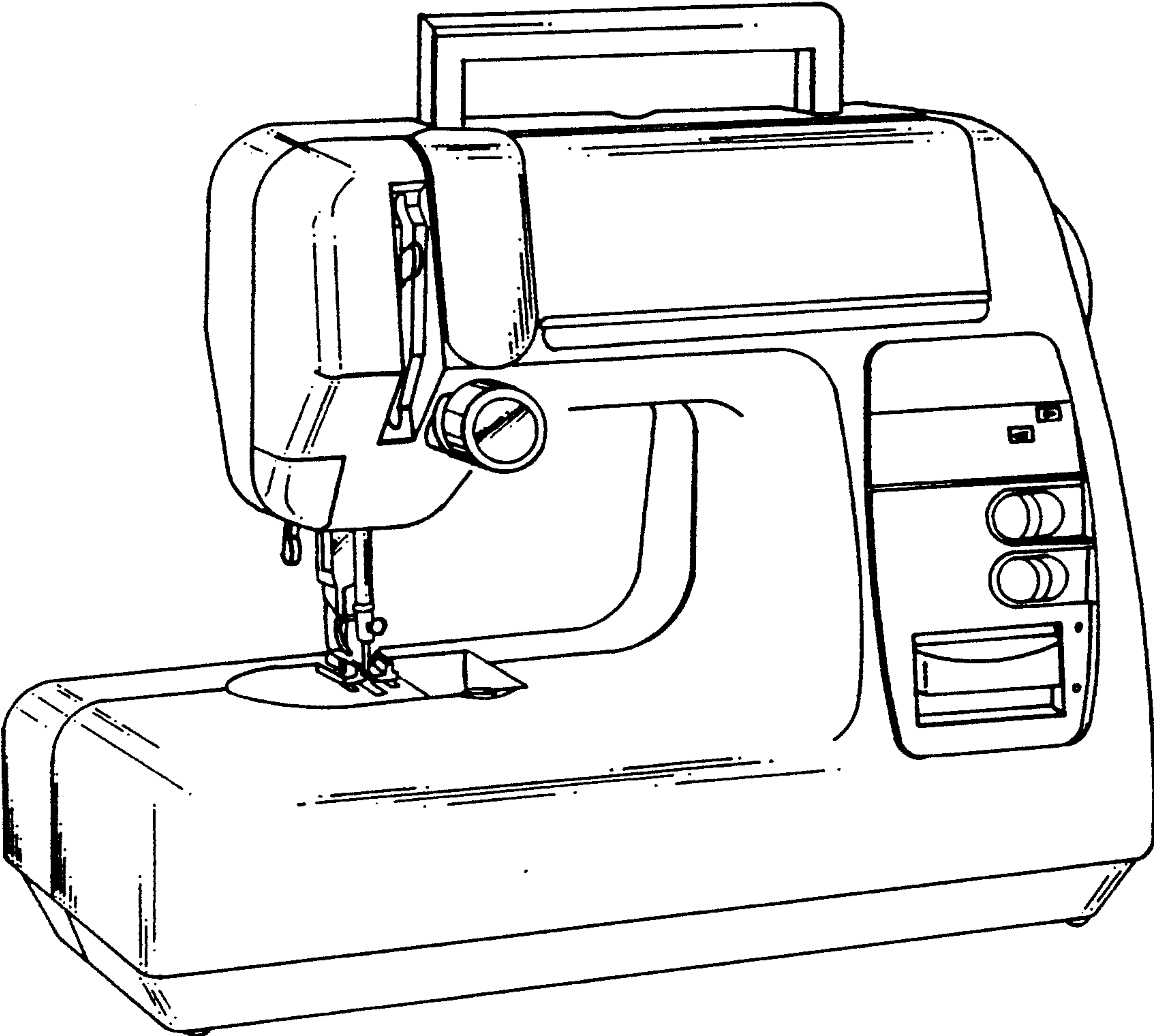


FIG - 1

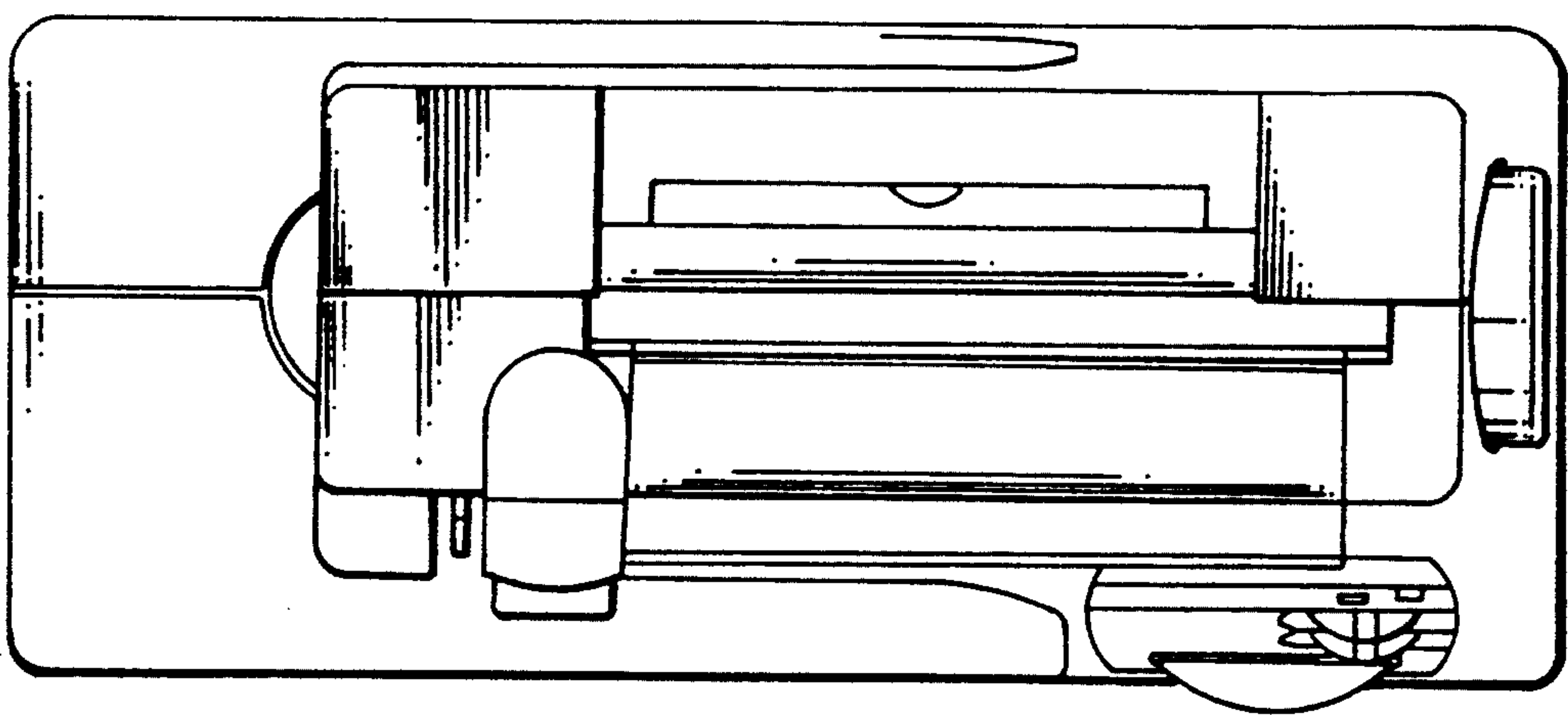


FIG - 6

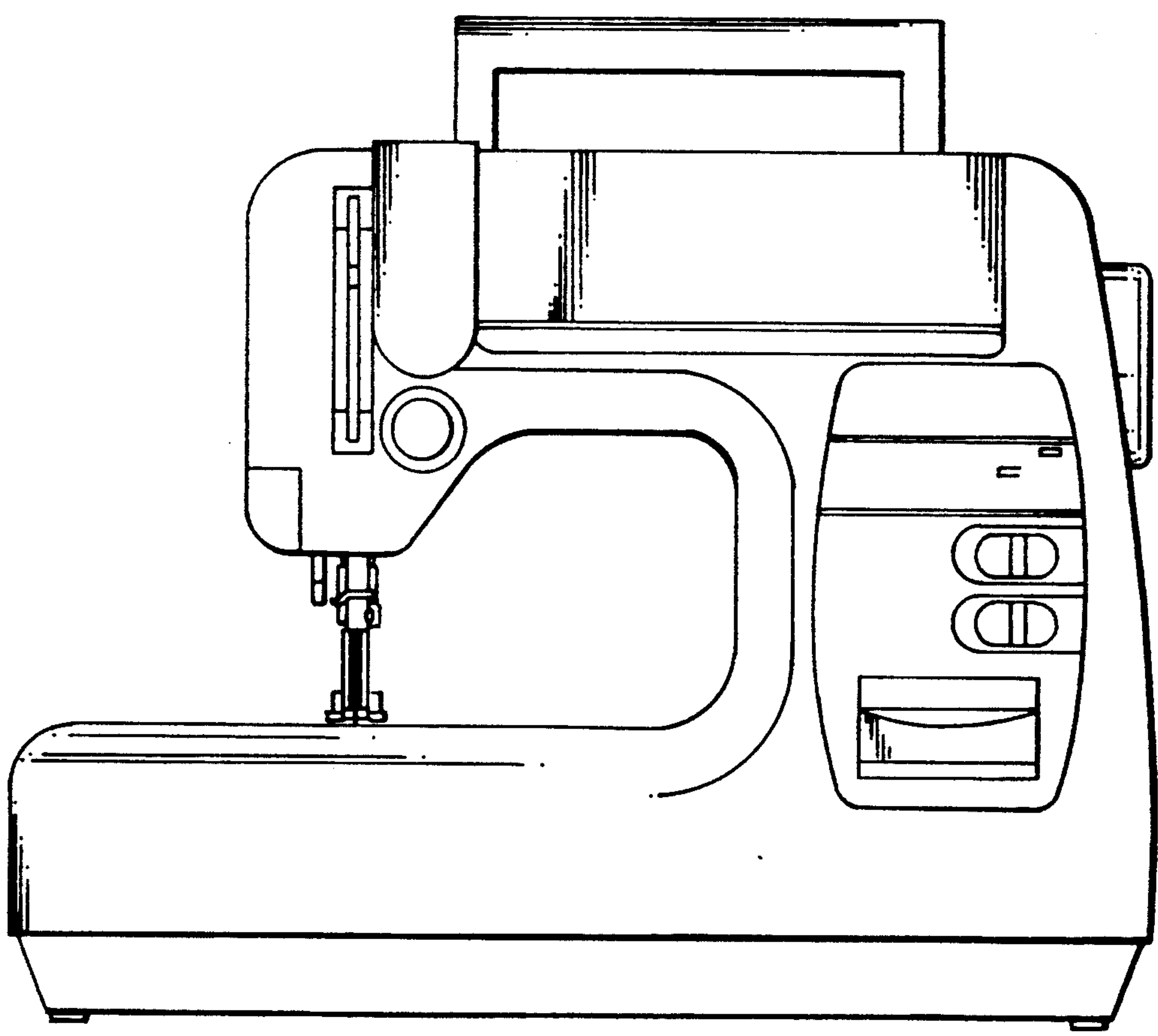


FIG - 2

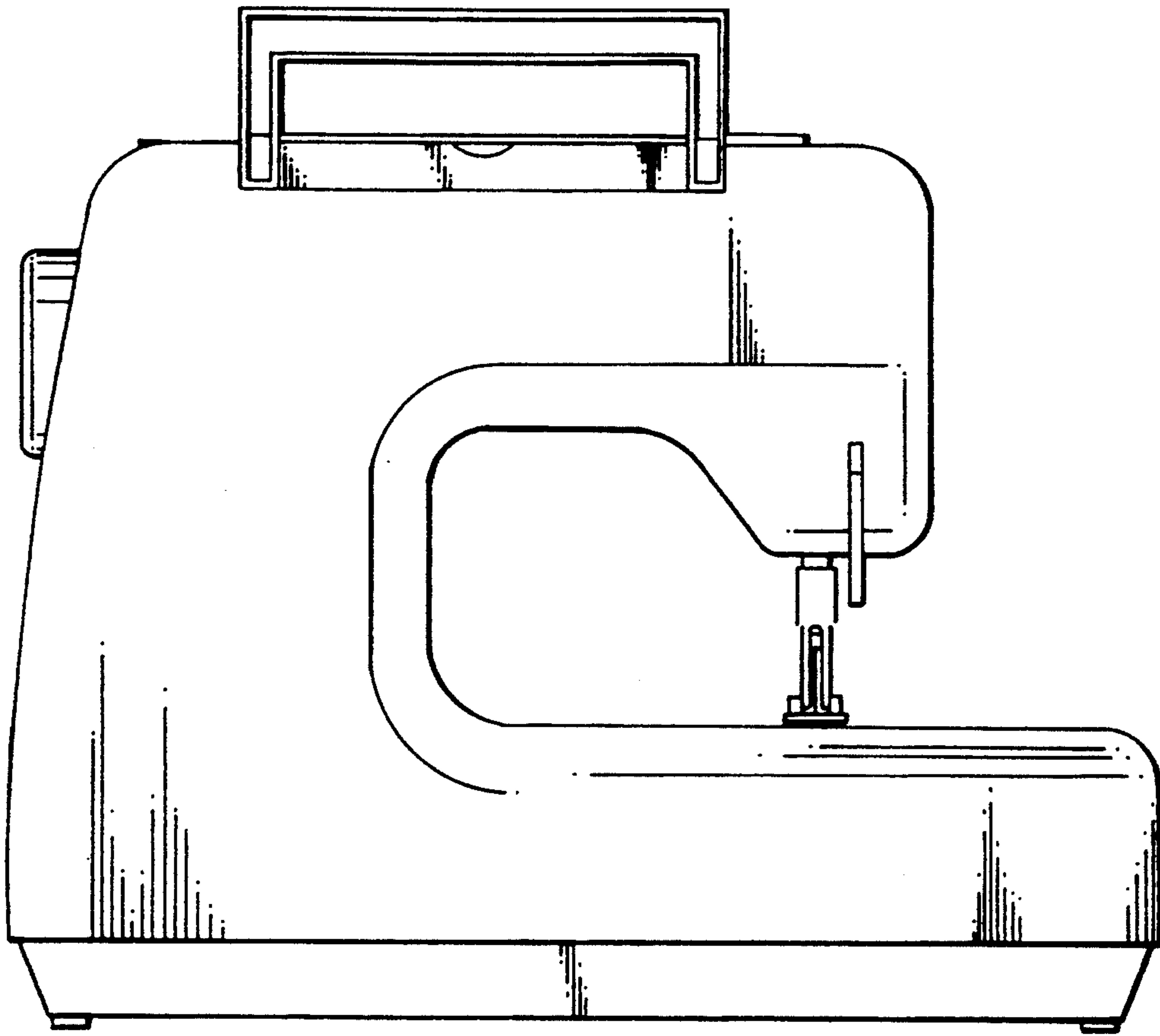


Fig - 3

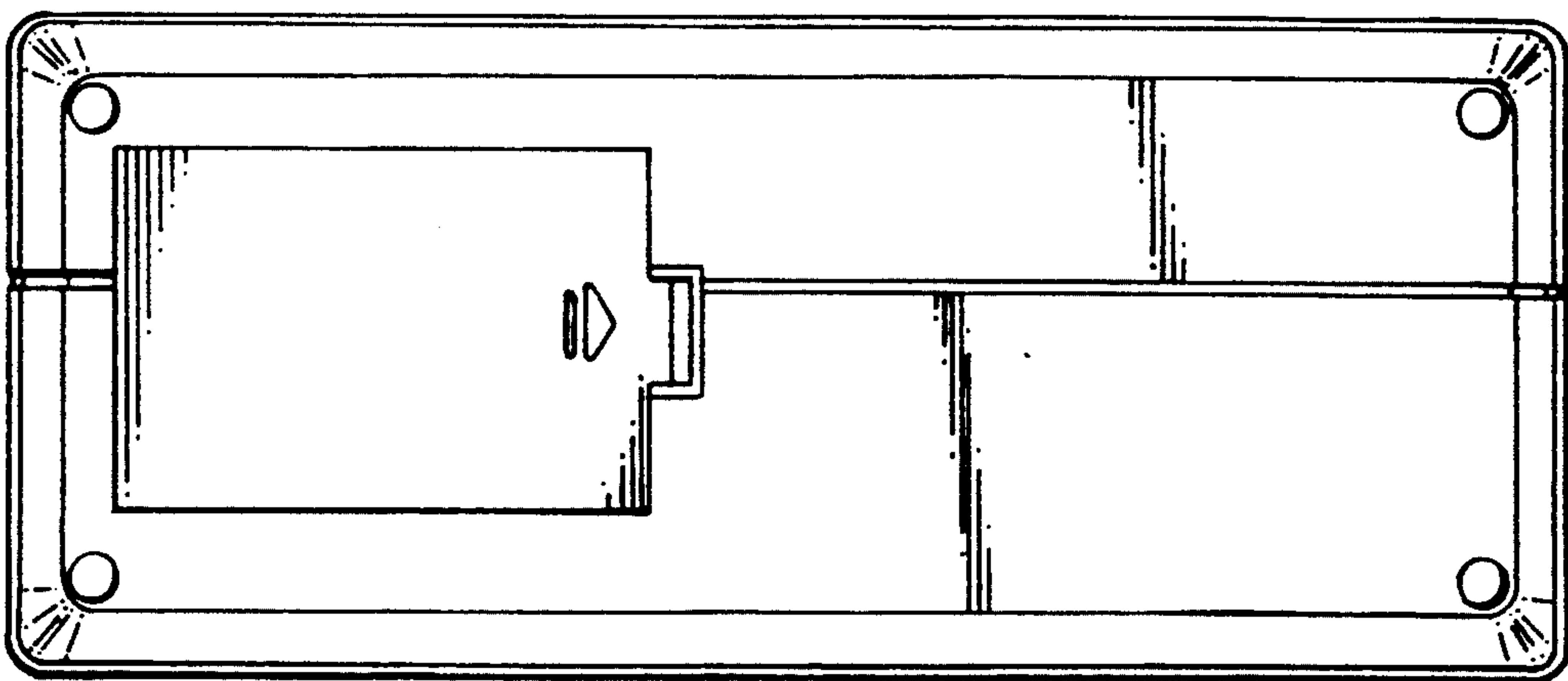


Fig - 7

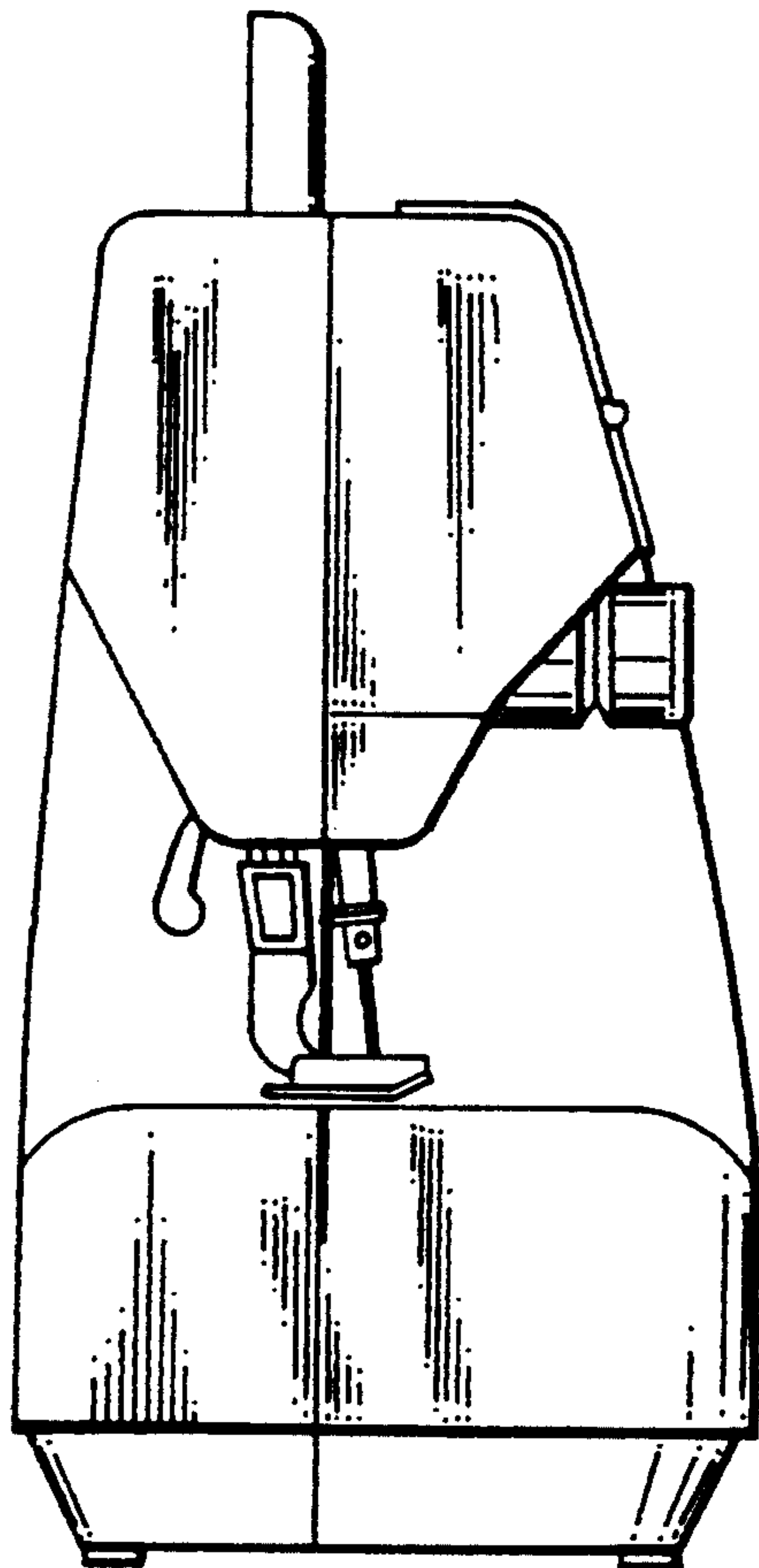


FIG - 4

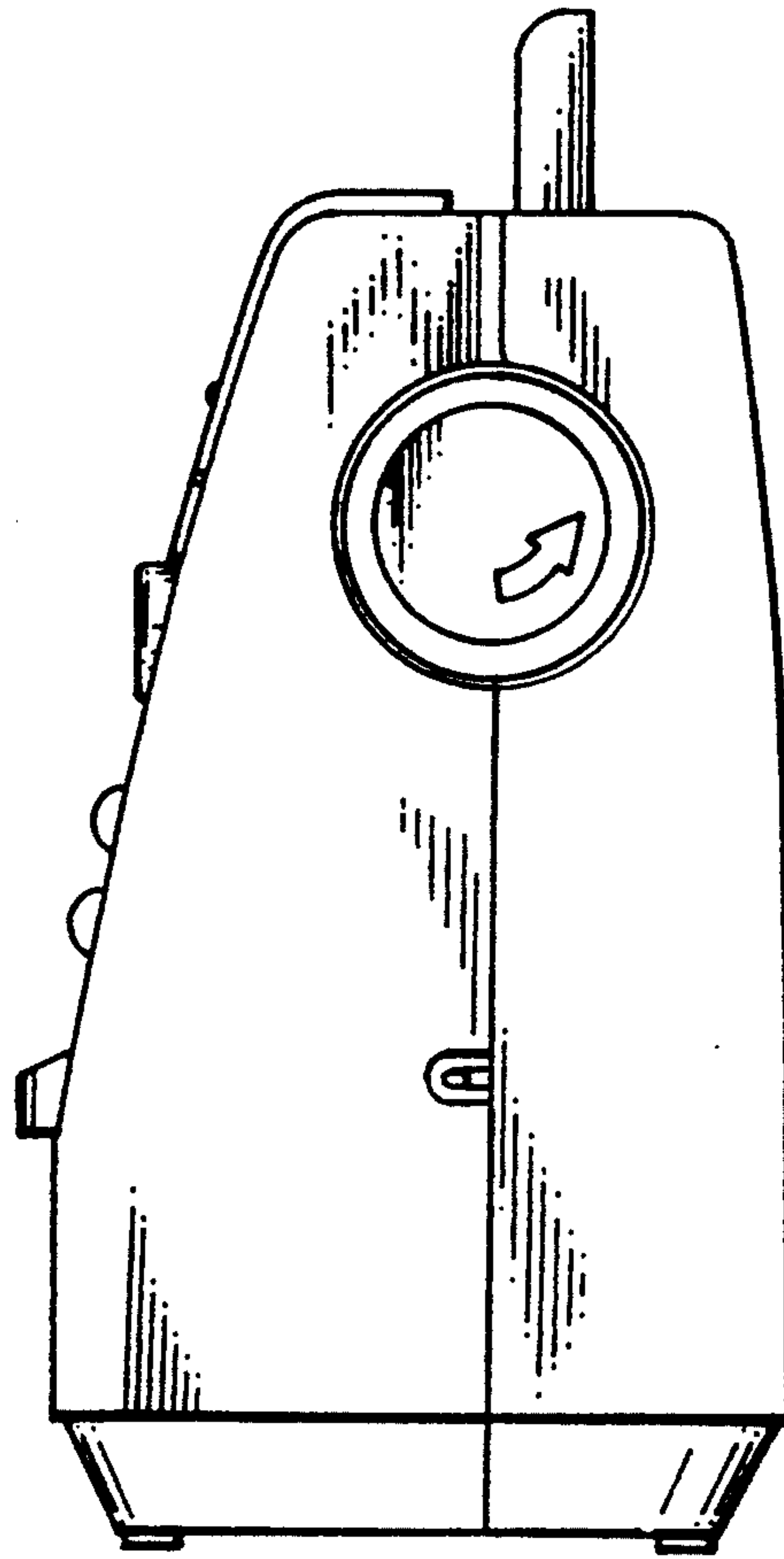


FIG - 5